



US00D970670S

(12) **United States Design Patent**
Zheng

(10) **Patent No.:** **US D970,670 S**

(45) **Date of Patent:** **** Nov. 22, 2022**

- (54) **SPEED BALL**
- (71) Applicant: **Jinhua Taisen Sports Goods Co., Ltd.**,
Zhejiang Province (CN)
- (72) Inventor: **Xiaopu Zheng**, Zhejiang Province (CN)
- (**) Term: **15 Years**
- (21) Appl. No.: **29/783,895**
- (22) Filed: **May 17, 2021**
- (51) **LOC (13) Cl.** **21-02**
- (52) **U.S. Cl.**
USPC **D21/787**
- (58) **Field of Classification Search**
USPC D21/302-309, 662, 680, 686, 688, 689,
D21/691-694, 698, 699, 702, 705, 715,
D21/717, 719, 780, 787, 798, 799.1, 589,
D21/594, 623, 630, 658, 659; D6/329,
D6/708.17, 712; D11/158, 164, 166, 181,
D11/182; D20/32, 41; D25/38.1, 126,
D25/127, 131, 133; 482/83-90;
248/160, 910, 346.01, 346.2, 346.4
CPC . A63B 69/20-24; A63B 69/34; A63B 69/345;
A63B 71/023; A63B 2071/026; A63B
2244/102

See application file for complete search history.

(56) **References Cited**

U.S. PATENT DOCUMENTS

- 6,027,435 A * 2/2000 Nadorf A63B 69/208
482/146
- 7,766,799 B1 * 8/2010 Chen A63B 69/208
482/85
- D899,544 S 10/2020 Li
- D931,396 S * 9/2021 Zheng D21/787
- D938,538 S * 12/2021 Li D21/787
- D954,883 S * 6/2022 Li D21/787
- 2013/0085044 A1 * 4/2013 Chen A63B 69/20
482/87

- 2013/0324372 A1 * 12/2013 Cuadrado A63B 69/20
482/90
- 2020/0155914 A1 * 5/2020 Hu A63B 69/203
- 2022/0040552 A1 * 2/2022 Huang A63B 69/208

FOREIGN PATENT DOCUMENTS

- CN 2106717 * 1/2002
- CN 302673525 * 12/2013
- CN 302761527 * 3/2014
- CN 302866085 * 7/2014
- CN 302967757 * 10/2014
- CN 305297967 * 8/2019
- CN 305373086 * 10/2019
- CN 305510954 * 12/2019
- CN 305803243 * 5/2020
- CN 305821634 * 6/2020
- GB 6092384 * 6/2020
- WO WO-2010111459 A1 * 9/2010 A63B 69/24
- WO WO-2012083214 A1 * 6/2012 A63B 69/203

* cited by examiner

Primary Examiner — Catherine A Tuttle

(57) **CLAIM**

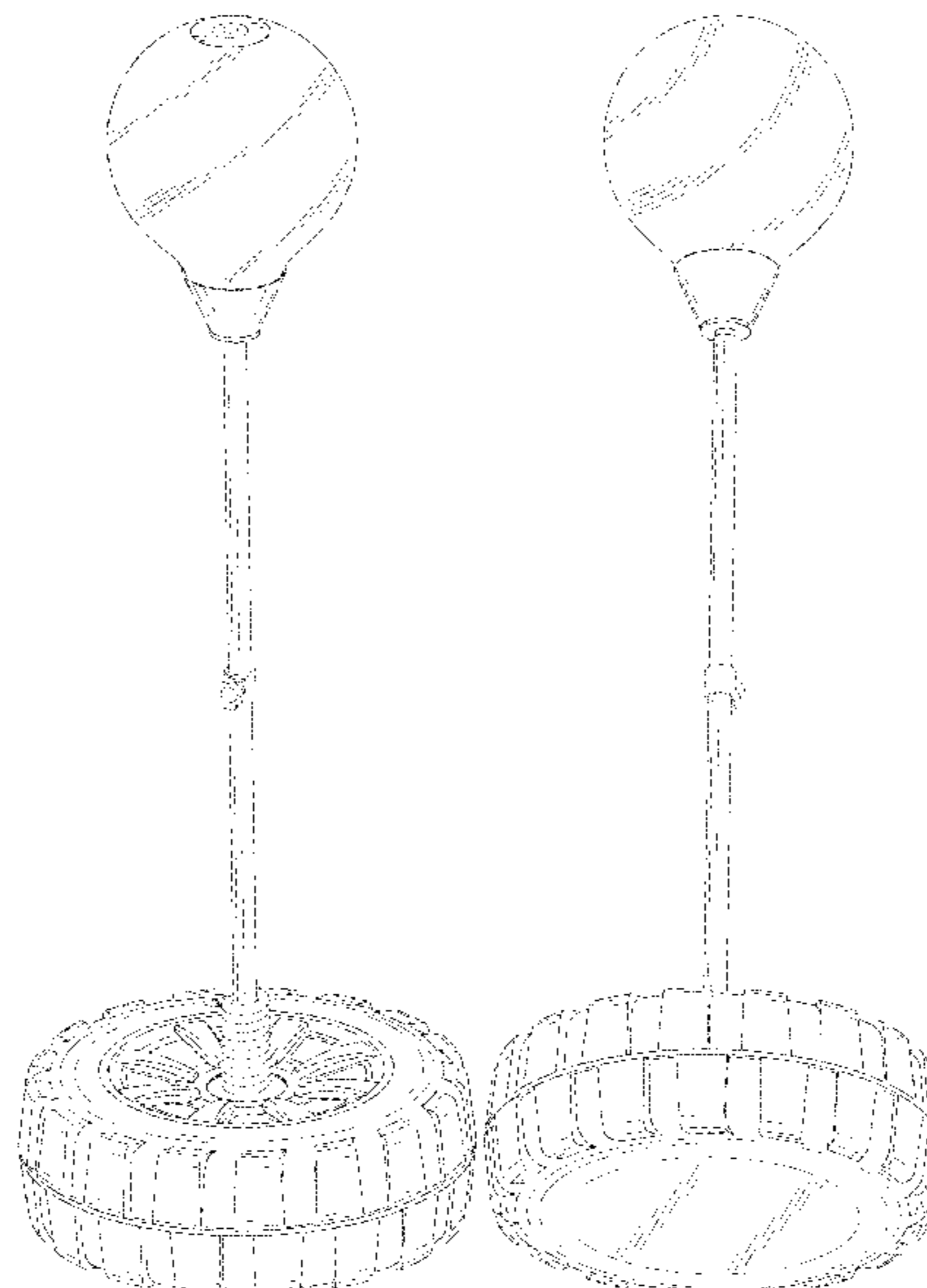
The ornamental design for a speed ball, as shown and described.

DESCRIPTION

FIG. 1 is a front and top perspective view of a speed ball, showing my new design;
 FIG. 2 is a rear and bottom perspective view thereof;
 FIG. 3 is a front elevation view thereof;
 FIG. 4 is a rear elevation view thereof;
 FIG. 5 is a left side elevation view thereof;
 FIG. 6 is a right side elevation view thereof;
 FIG. 7 is a top plan view thereof; and,
 FIG. 8 is a bottom plan view thereof.

The broken lines in the figures illustrate portions of the speed ball that form no part of the claimed design.

1 Claim, 8 Drawing Sheets



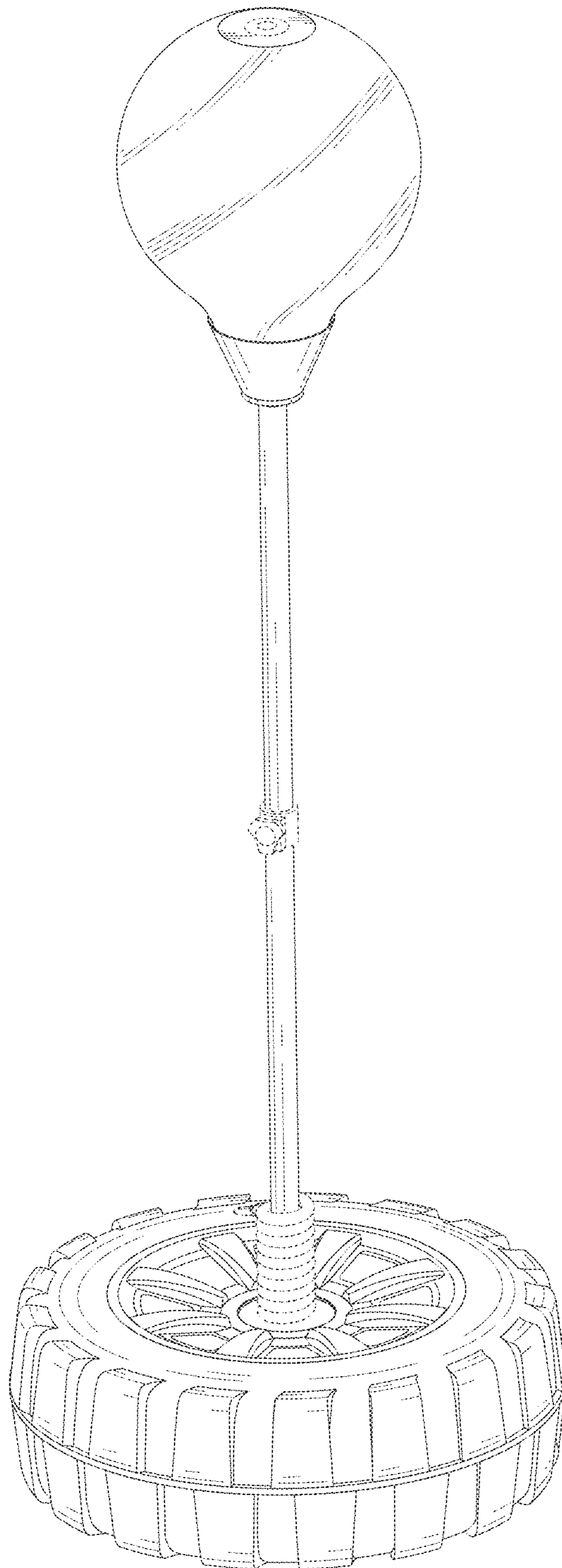


FIG. 1

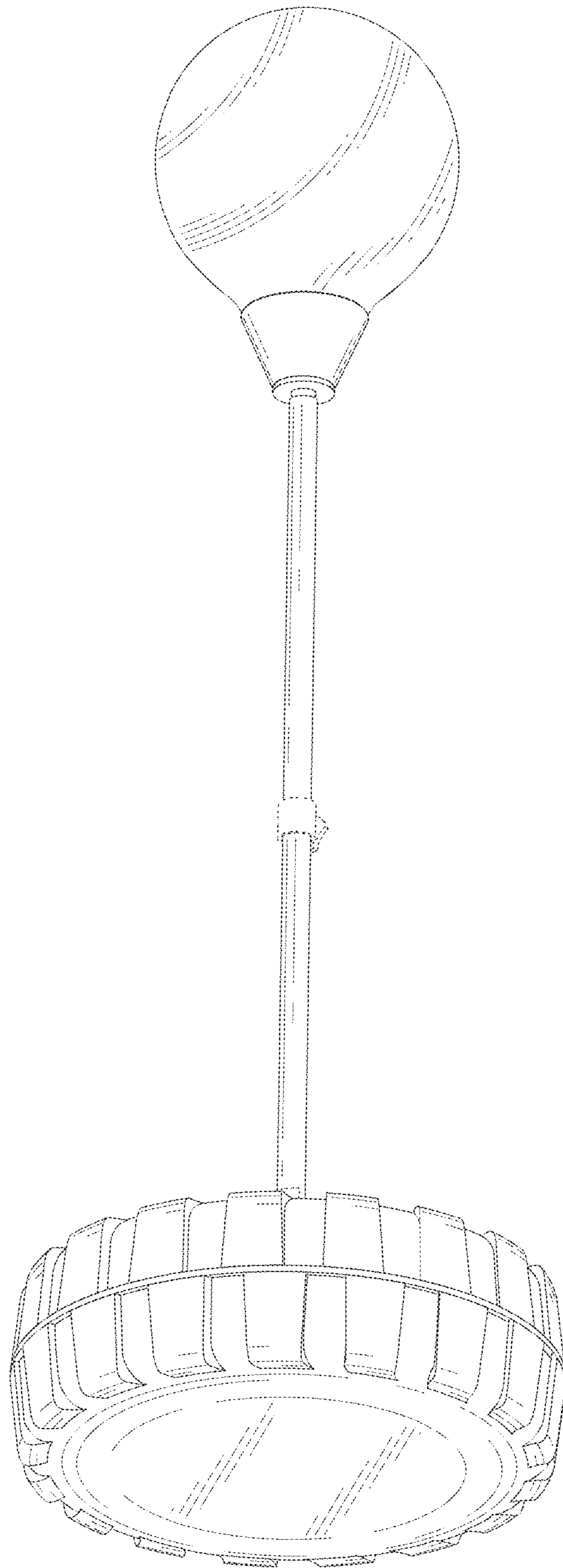


FIG. 2

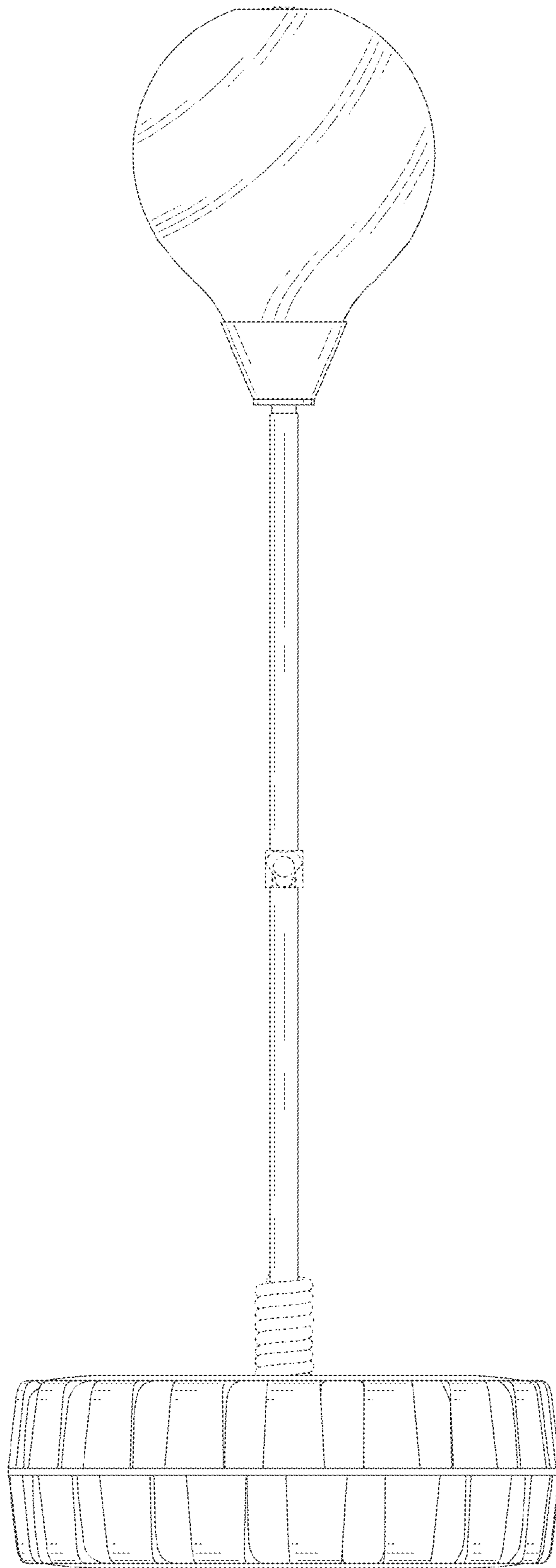


FIG. 3

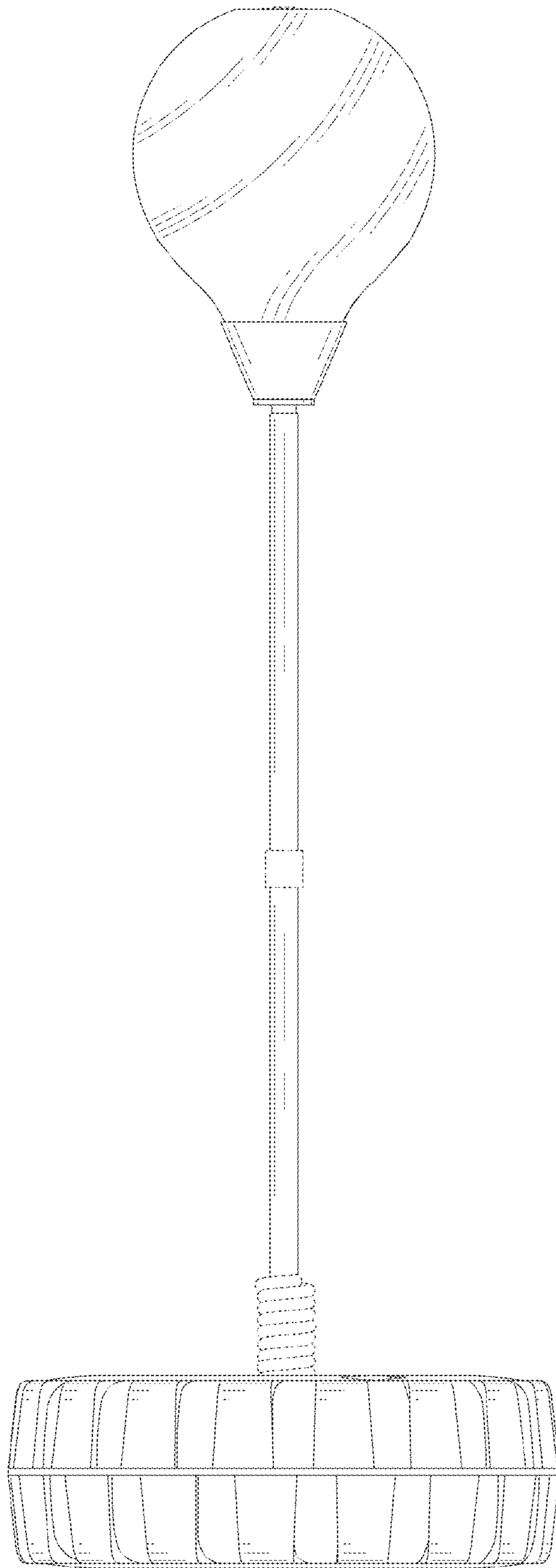


FIG. 4

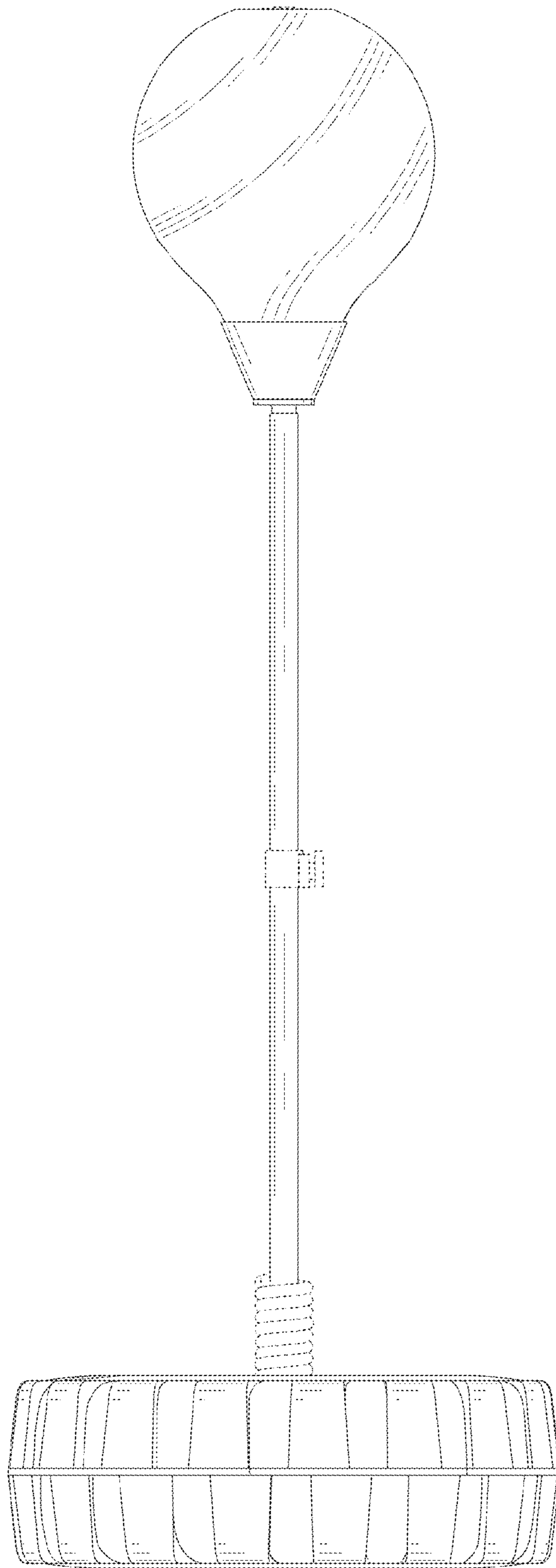


FIG. 5

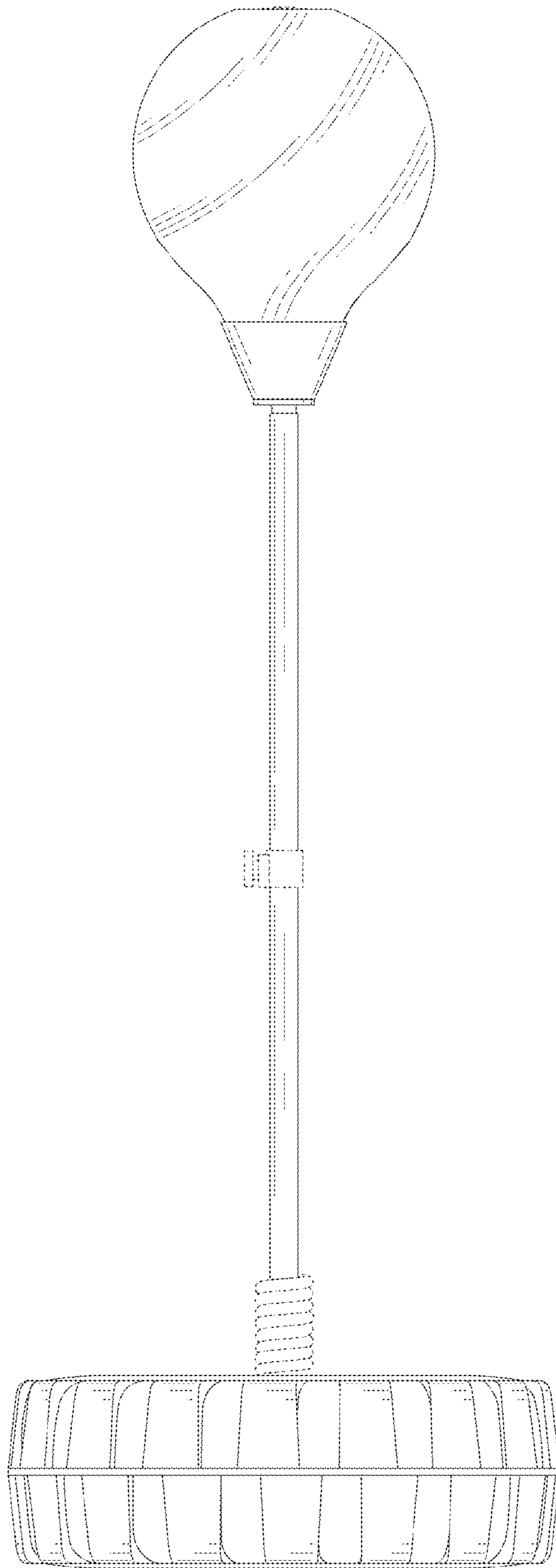


FIG. 6

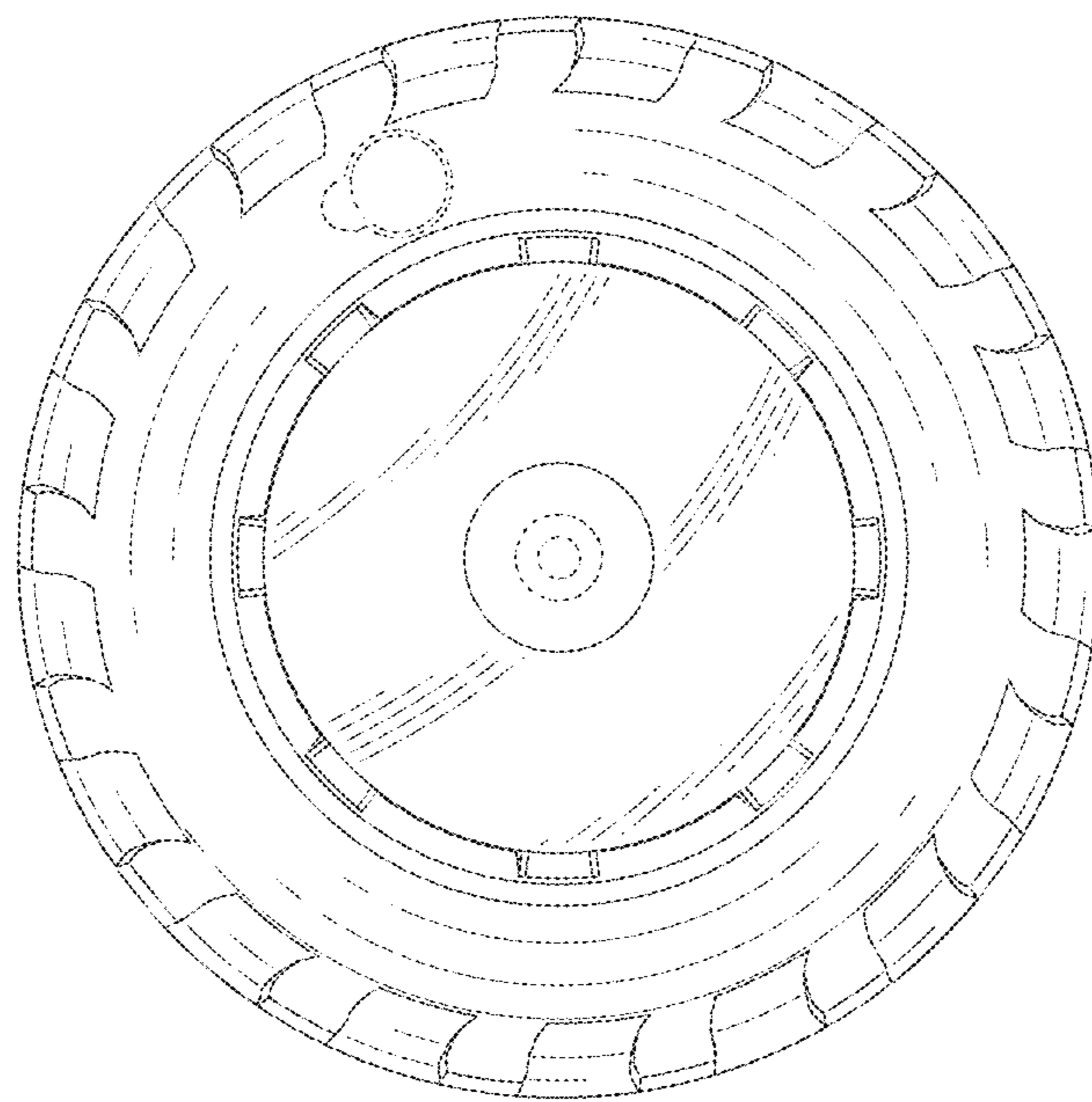


FIG. 7

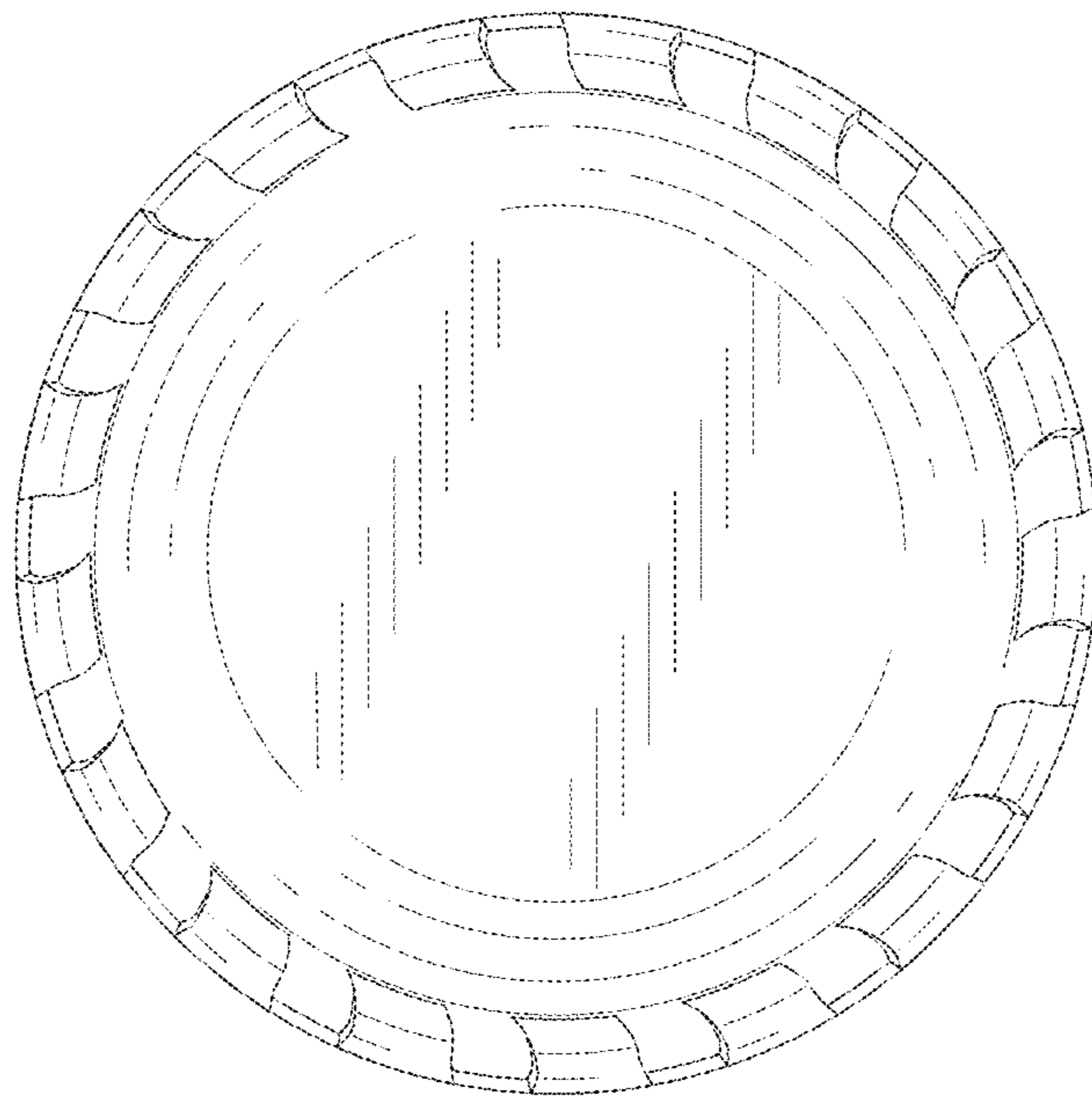


FIG. 8