



US00D970662S

(12) **United States Design Patent**  
**Demkowski et al.**

(10) **Patent No.:** **US D970,662 S**

(45) **Date of Patent:** **\*\* Nov. 22, 2022**

- (54) **GOLF CLUB HEAD**
- (71) Applicant: **Taylor Made Golf Company, Inc.**,  
Carlsbad, CA (US)
- (72) Inventors: **Paul M. Demkowski**, Cardiff, CA  
(US); **Mattieu Bovee**, Oceanside, CA  
(US); **Michael Walker**, Vista, CA (US);  
**Robert Nunez**, Vista, CA (US)
- (73) Assignee: **Taylor Made Golf Company, Inc.**,  
Carlsbad, CA (US)
- (\*\*) Term: **15 Years**
- (21) Appl. No.: **29/754,764**
- (22) Filed: **Oct. 14, 2020**
- (51) **LOC (13) Cl.** ..... **21-02**
- (52) **U.S. Cl.**  
USPC ..... **D21/747**
- (58) **Field of Classification Search**  
USPC ..... D21/747-751, 759  
CPC ..... A63B 53/00; A63B 53/02; A63B 53/04;  
A63B 53/047; A63B 53/0475; A63B  
2053/0479; A63B 2053/0483; A63B  
2053/0445; A63B 60/00; A63B 60/46  
See application file for complete search history.

- 8,961,336 B1 \* 2/2015 Parsons ..... A63B 53/0475  
473/335
- D736,873 S \* 8/2015 Voshall ..... D21/759
- D738,448 S \* 9/2015 Asatsuma ..... D21/759
- 9,199,143 B1 \* 12/2015 Parsons ..... A63B 60/02
- D748,214 S \* 1/2016 Nicolette ..... D21/747
- D756,471 S \* 5/2016 Nicolette ..... D21/747
- 9,345,938 B2 \* 5/2016 Parsons ..... A63B 53/0475
- 9,346,203 B2 \* 5/2016 Parsons ..... B29C 45/14467
- 9,364,727 B2 \* 6/2016 Parsons ..... A63B 53/0466
- 9,421,437 B2 \* 8/2016 Parsons ..... A63B 60/02

(Continued)

*Primary Examiner* — Mitchell I. Siegel

(74) *Attorney, Agent, or Firm* — Klarquist Sparkman,  
LLP

(57) **CLAIM**

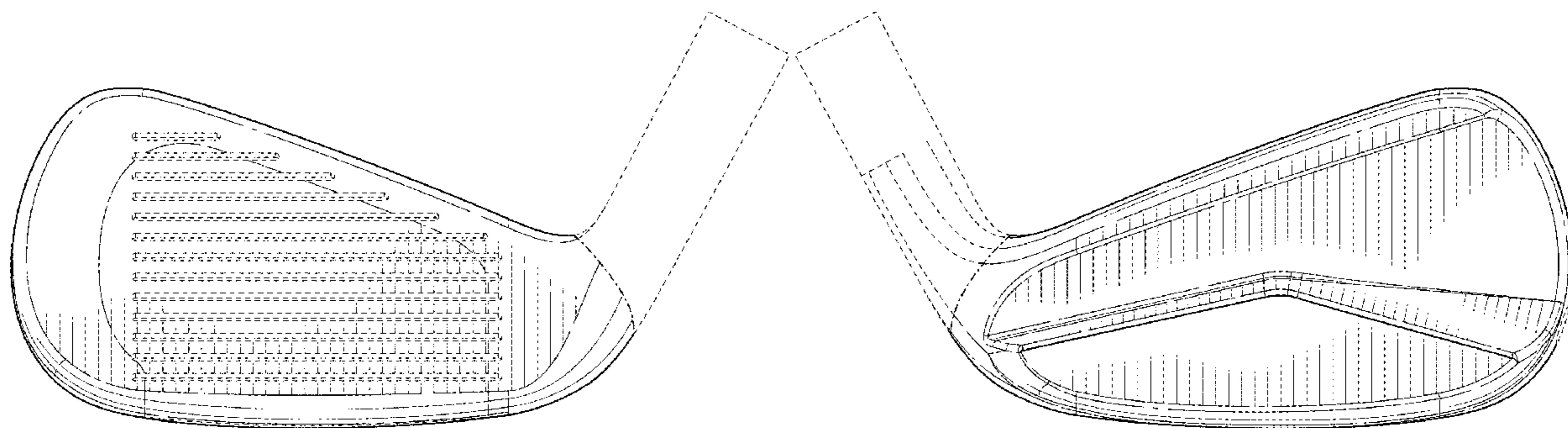
We claim the ornamental design for a golf club head, as shown and described.

**DESCRIPTION**

FIG. 1 is a perspective view of a golf club head, as viewed from the rear and one side;  
 FIG. 2 is a front elevation view of a golf club head of FIG. 1.  
 FIG. 3 is a rear elevation view of the golf club head of FIG. 1.  
 FIG. 4 is a side elevation view of a toe side of the golf club head of FIG. 1.  
 FIG. 5 is a side elevation view of a heel side of the golf club head of FIG. 1.  
 FIG. 6 is a top plan view of the golf club head of FIG. 1; and,  
 FIG. 7 is a bottom plan view of the golf club head of FIG. 1.

The broken lines in the drawings are for purpose of illustrating environmental structure as well as portions of the design that form no part of the present claimed design. The dash-dot broken lines represent the boundary and form no part of the claimed design.

**1 Claim, 4 Drawing Sheets**



(56)

## References Cited

## U.S. PATENT DOCUMENTS

9,427,634 B2 \* 8/2016 Parsons ..... A63B 60/02  
D780,867 S \* 3/2017 Asatsuma ..... D21/759  
9,610,481 B2 \* 4/2017 Parsons ..... A63B 53/0466  
9,649,542 B2 \* 5/2017 Nicolette ..... A63B 53/047  
9,675,853 B2 \* 6/2017 Parsons ..... A63B 53/0466  
9,878,218 B2 \* 1/2018 Parsons ..... B29C 45/20  
9,878,220 B2 \* 1/2018 Parsons ..... A63B 53/047  
10,159,876 B2 \* 12/2018 Parsons ..... B29C 45/20  
D842,402 S \* 3/2019 Lytle ..... D21/747  
10,232,235 B2 \* 3/2019 Parsons ..... A63B 53/0475  
10,265,590 B2 \* 4/2019 Parsons ..... A63B 53/0487  
10,279,233 B2 \* 5/2019 Parsons ..... A63B 60/02  
10,286,267 B2 \* 5/2019 Nicolette ..... A63B 53/047  
10,293,229 B2 \* 5/2019 Parsons ..... A63B 60/02  
D855,129 S \* 7/2019 Oliveiro ..... D21/747  
D856,450 S \* 8/2019 Milleman ..... D21/747  
D859,550 S \* 9/2019 Asatsuma ..... D21/759  
D859,551 S \* 9/2019 Asatsuma ..... D21/759  
D861,812 S \* 10/2019 Asatsuma ..... D21/759  
10,596,424 B2 \* 3/2020 Parsons ..... A63B 53/0475  
10,596,425 B2 \* 3/2020 Parsons ..... A63B 53/0475  
10,716,978 B2 \* 7/2020 Parsons ..... A63B 53/047  
10,814,193 B2 \* 10/2020 Parsons ..... A63B 53/0466  
10,821,339 B2 \* 11/2020 Parsons ..... A63B 60/02  
10,821,340 B2 \* 11/2020 Parsons ..... A63B 53/047  
10,874,921 B2 \* 12/2020 Parsons ..... A63B 53/047  
10,940,375 B2 \* 3/2021 Parsons ..... A63B 53/0475  
11,141,633 B2 \* 10/2021 Parsons ..... A63B 53/0475  
11,235,211 B2 \* 2/2022 Parsons ..... A63B 53/047

\* cited by examiner

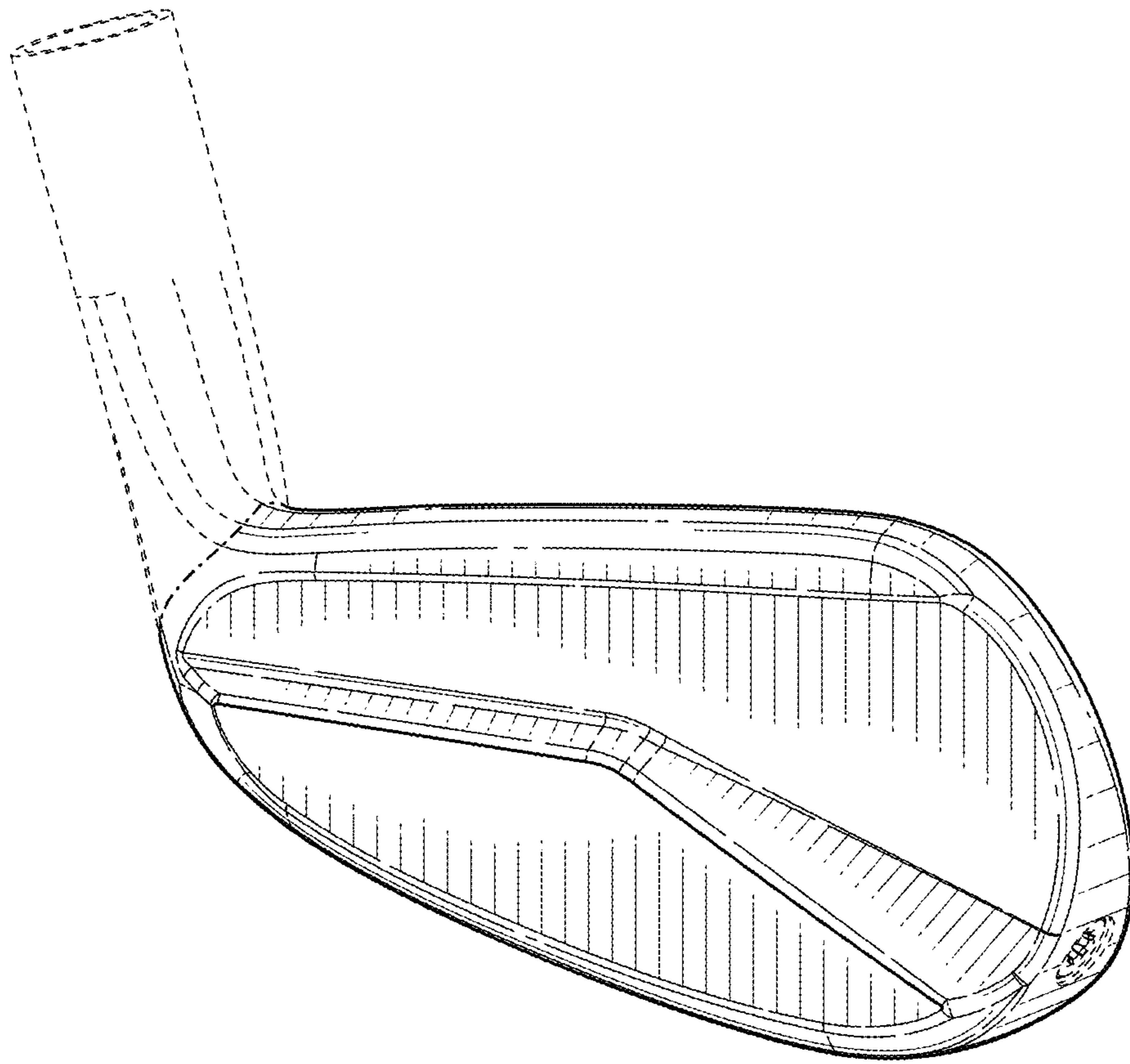


FIG. 1

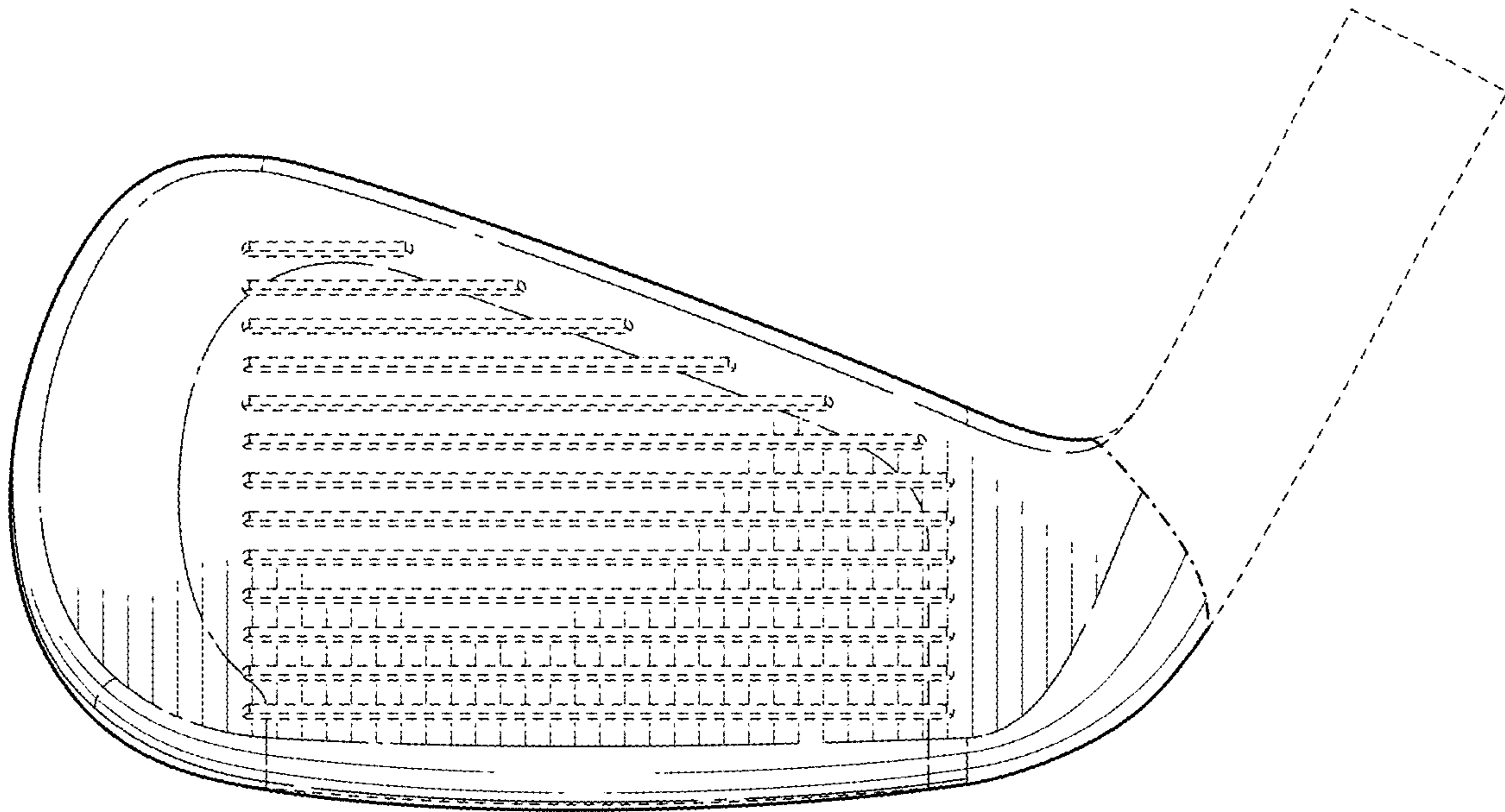


FIG. 2

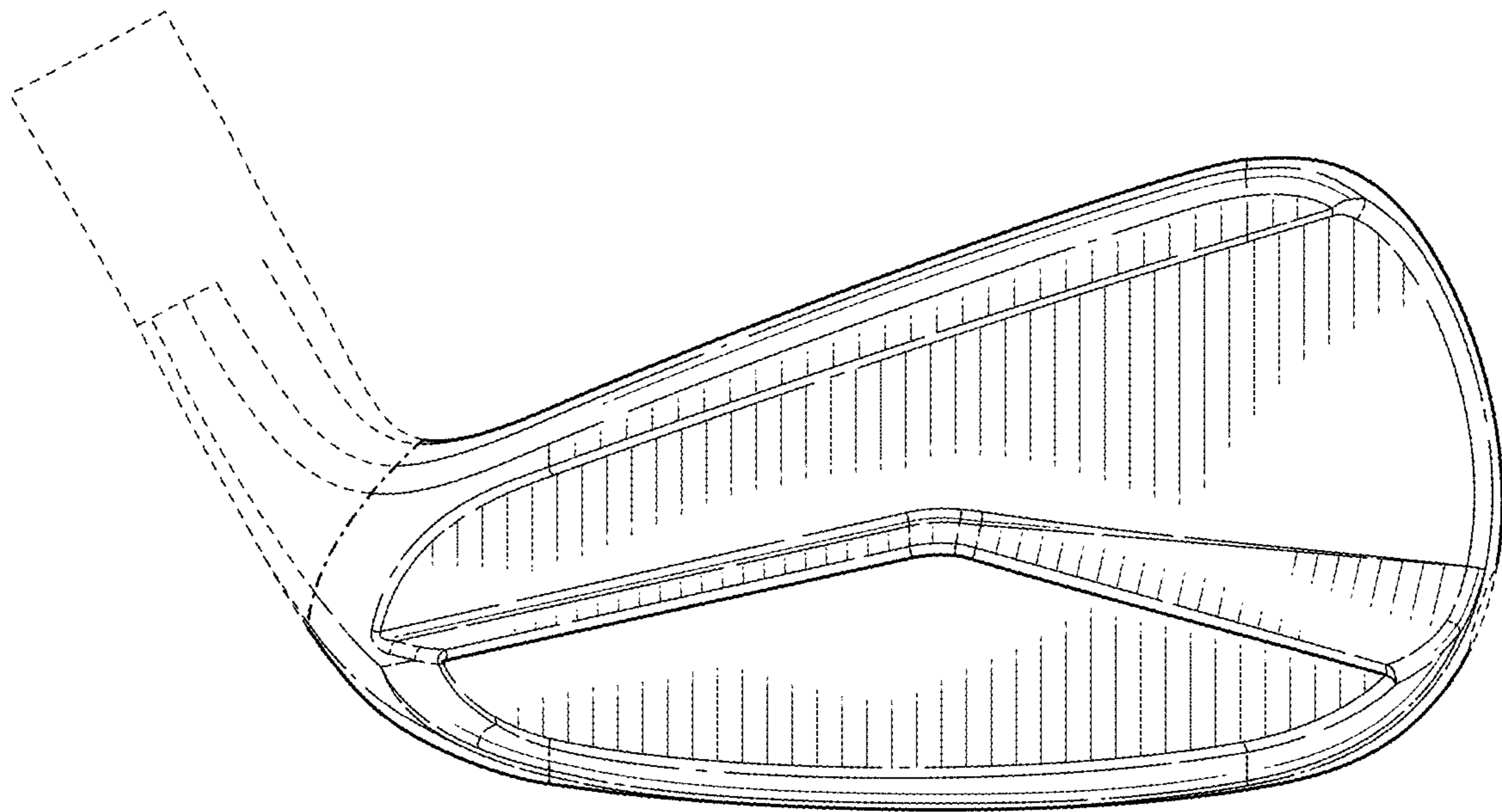


FIG. 3

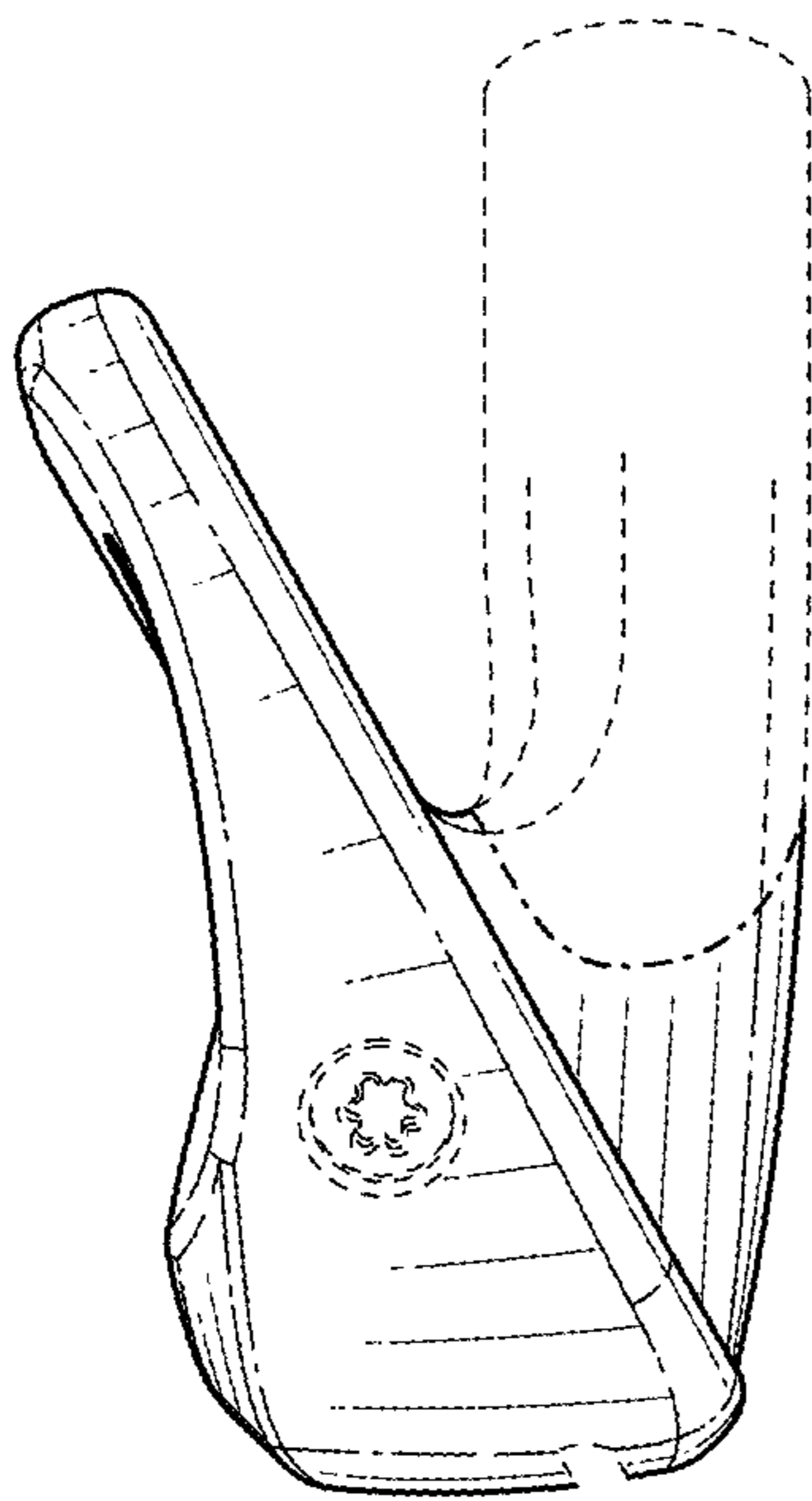


FIG. 4

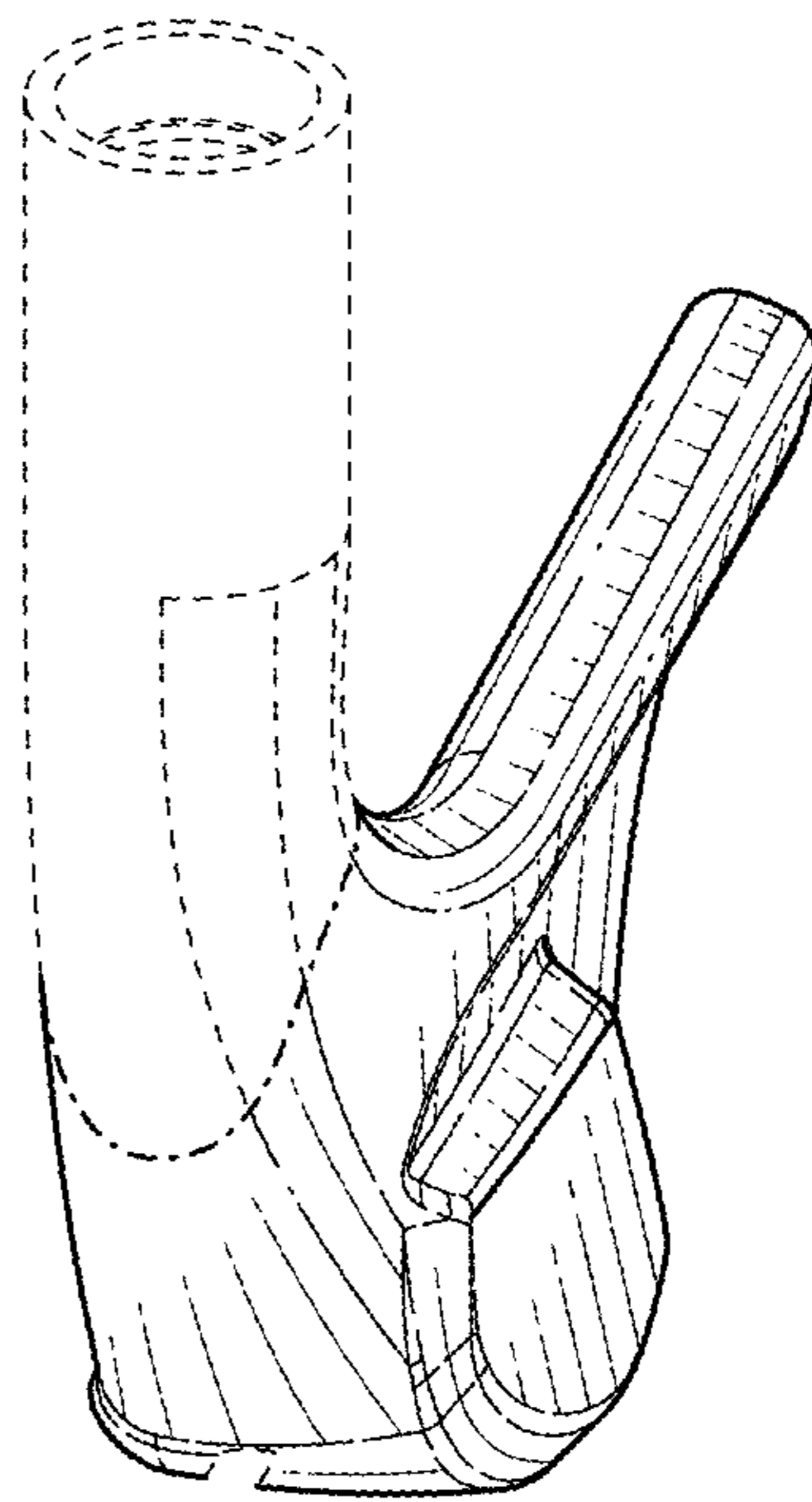


FIG. 5

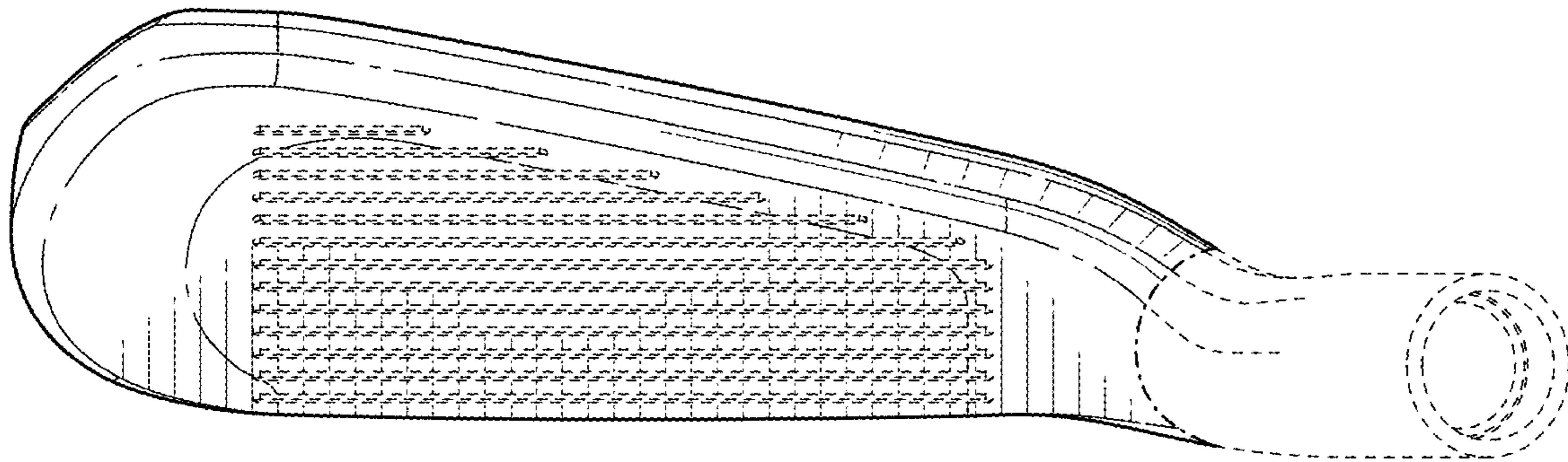


FIG. 6

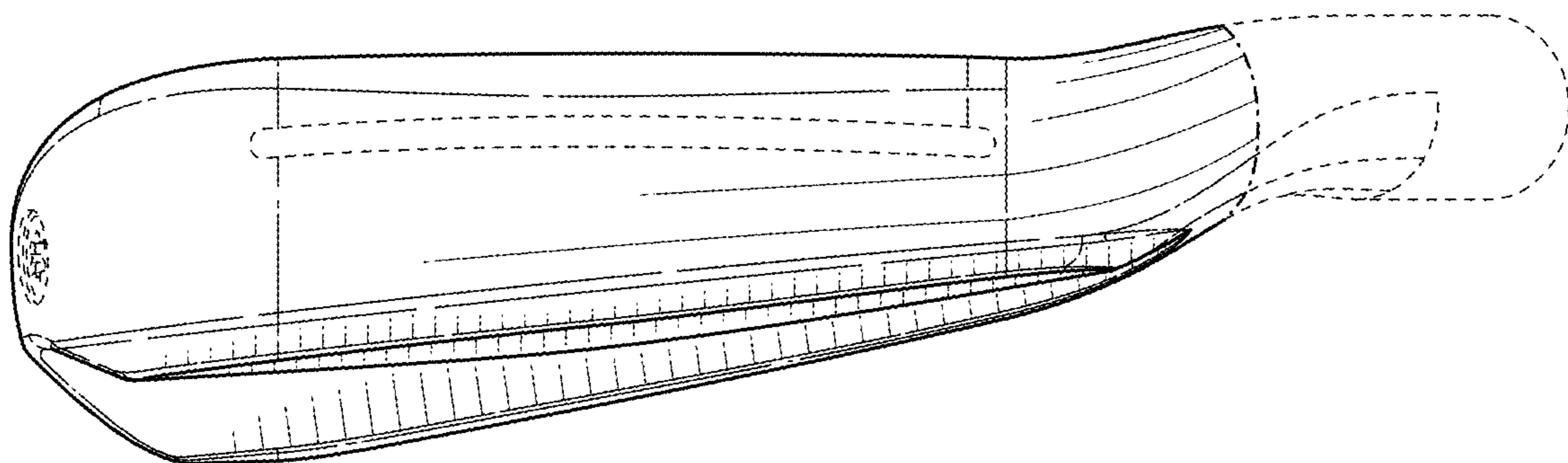


FIG. 7