



US00D970661S

(12) **United States Design Patent**
Yuval

(10) **Patent No.:** **US D970,661 S**

(45) **Date of Patent:** **** Nov. 22, 2022**

(54) **OSCILLATING TURNING DEVICE FOR TENNIS BALL LAUNCHER**

(71) Applicant: **SLINGER BAG LTD**, Ra'anana (IL)

(72) Inventor: **Arik Yuval**, Zur Yigal (IL)

(73) Assignee: **SLINGER BAG LTD.**, Ra'anana (IL)

(**) Term: **15 Years**

(21) Appl. No.: **35/510,172**

(22) Filed: **Apr. 28, 2020**

(80) **Hague Agreement Data**

Int. Filing Date: **Apr. 28, 2020**

Int. Reg. No.: **DM/209852**

Int. Reg. Date: **Apr. 28, 2020**

Int. Reg. Pub. Date: **Aug. 28, 2020**

(51) **LOC (13) Cl.** **21-02**

(52) **U.S. Cl.**
USPC **D21/722**

(58) **Field of Classification Search**
USPC D21/722; D30/160
CPC A63B 69/38; A63B 69/385; A63B 69/40;
A63B 69/406; A63B 69/409; A63B 65/12
See application file for complete search history.

(56) **References Cited**

U.S. PATENT DOCUMENTS

3,568,653	A *	3/1971	Earle, Jr.	A63B 69/40 124/1
D245,045	S *	7/1977	Donahue	D20/10
4,140,097	A *	2/1979	Lewis	A63B 69/40 124/80
4,241,717	A *	12/1980	Mariani	A63B 69/40 124/56
4,372,283	A *	2/1983	Balka, Jr.	A63B 69/409 124/56
D628,253	S *	11/2010	McKinney	A63B 69/40 D21/722

(Continued)

OTHER PUBLICATIONS

Garett Matheis, Slinger Bag Tennis Ball Launcher First Impressions, YouTube.com, Feb. 21, 2020. Retrieved from the internet on Jul. 29, 2021 <URL: <https://youtu.be/mdxVaBK14n4>> (Year: 2020).*

Primary Examiner — Joseph Kukella

(74) *Attorney, Agent, or Firm* — Roach Brown McCarthy & Gruber, P.C.; Kevin D. McCarthy

(57) **CLAIM**

The ornamental design for an oscillating turning device for tennis ball launcher, as shown and described.

DESCRIPTION

1. Oscillating turning device for tennis ball launcher

Figure 1.1 shows a front, top, right-side perspective view of the oscillating turning device for tennis ball launcher of the Applicant's design.

Figure 1.2 is a front, bottom, left-side perspective view of FIG.1.1.

Figure 1.3 shows a rear view of FIG.1.1.

Figure 1.4 shows a right view of FIG.1.1.

Figure 1.5 shows a left view of FIG.1.1.

Figure 1.6 shows a front view of FIG.1.1.

Figure 1.7 shows a bottom view of FIG.1.1, wherein the top cover is at a center position with respect to the base part.

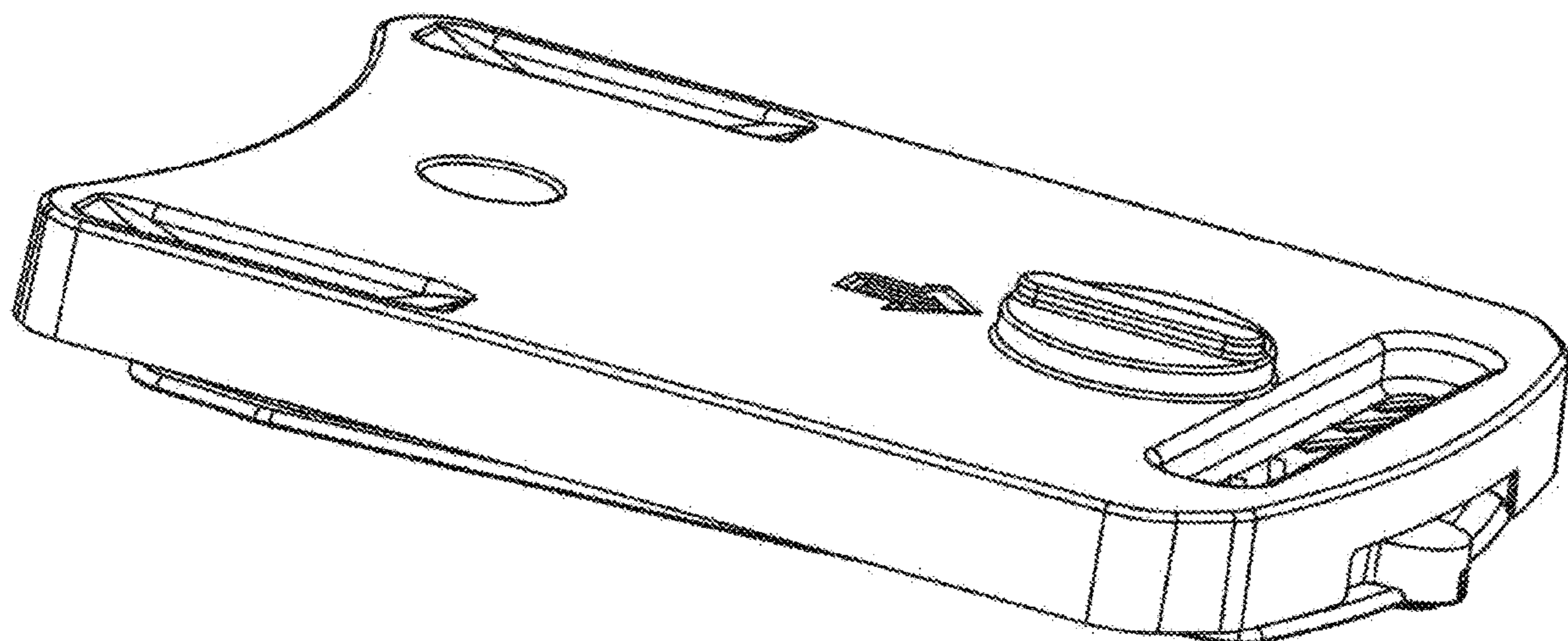
Figure 1.8 shows a top view of FIG.1.1.

Figure 1.9 shows a bottom view of FIG.1.1, wherein the top cover is at a right position with respect to the base part.

Figure 1.10 shows a bottom view of FIG.1.1, wherein the top cover is at a left position with respect to the base part.

The broken lines shown in Figs.1.2, 1.3, 1.4, 1.5, 1.6, 1.7, 1.9, and 1.10, represent portions of the oscillating turning device for tennis ball launcher that form no part of the claimed design.

1 Claim, 10 Drawing Sheets



(56)

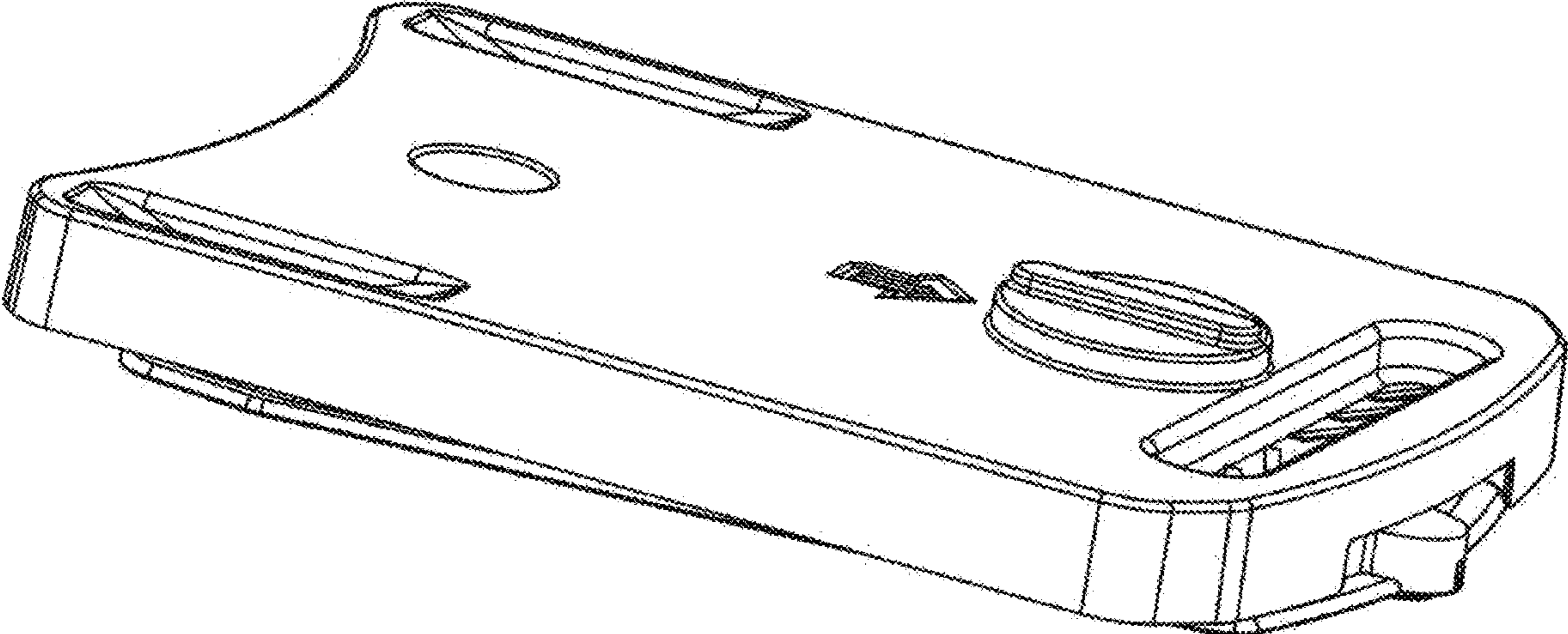
References Cited

U.S. PATENT DOCUMENTS

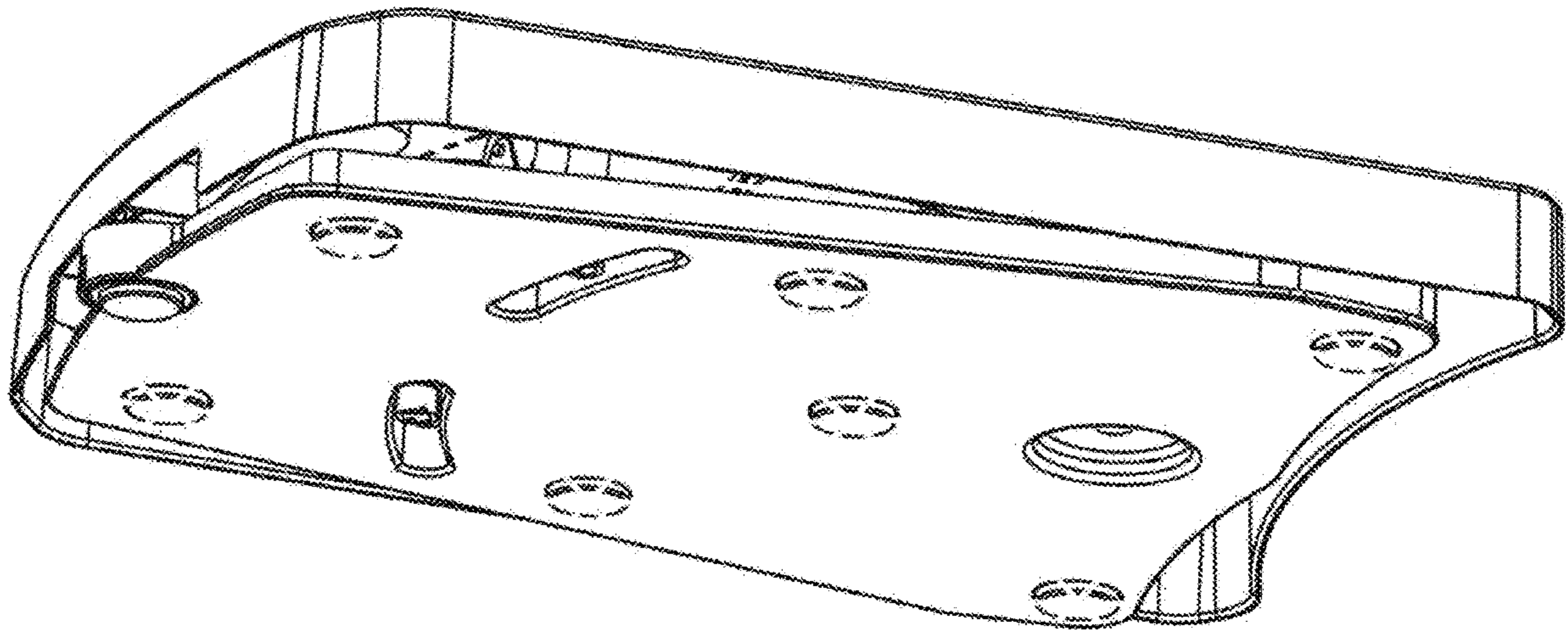
D637,669 S * 5/2011 McKinney A63B 69/40
D21/722
D771,761 S * 11/2016 McKinney A63B 69/409
D21/722
11,015,896 B1 * 5/2021 Hochberg A63B 69/406
11,052,300 B1 * 7/2021 Shie A63B 69/406
2006/0137672 A1 * 6/2006 Smith A63B 69/406
124/78
2021/0197054 A1 * 7/2021 Gainford A63B 69/0075

* cited by examiner

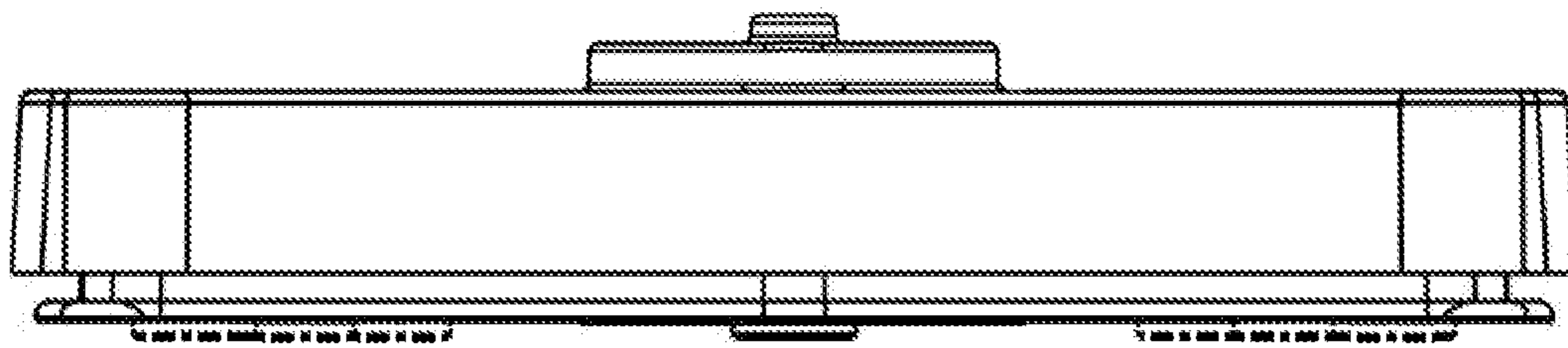
1.1



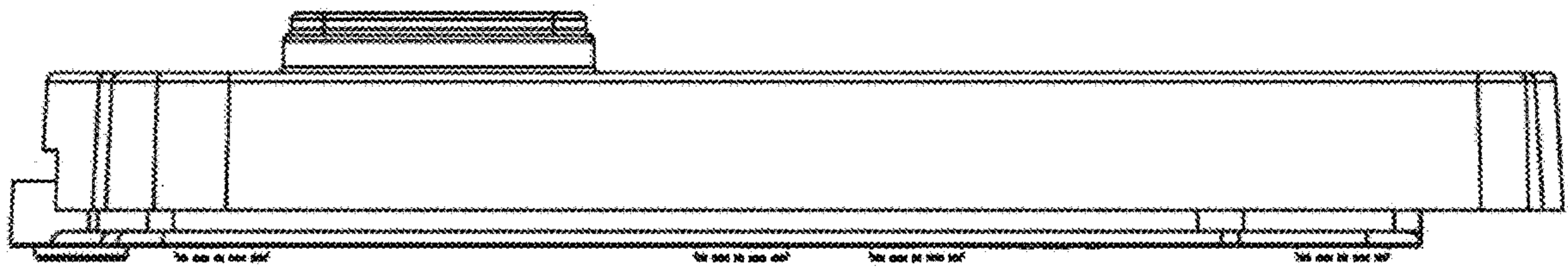
1.2



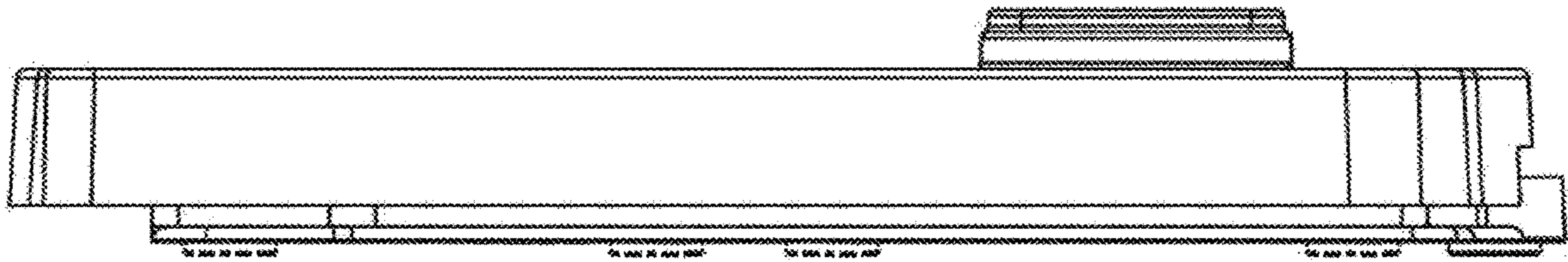
1.3



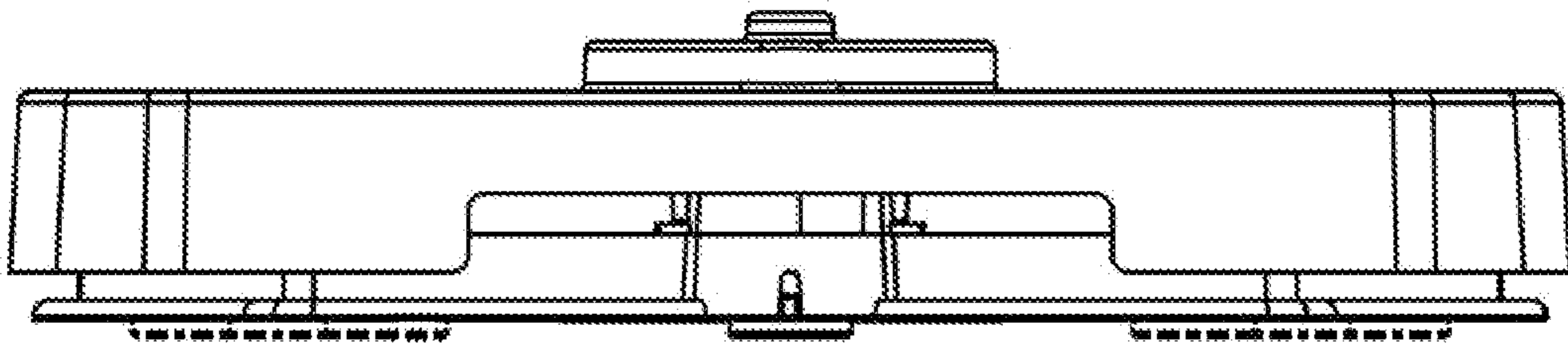
1.4



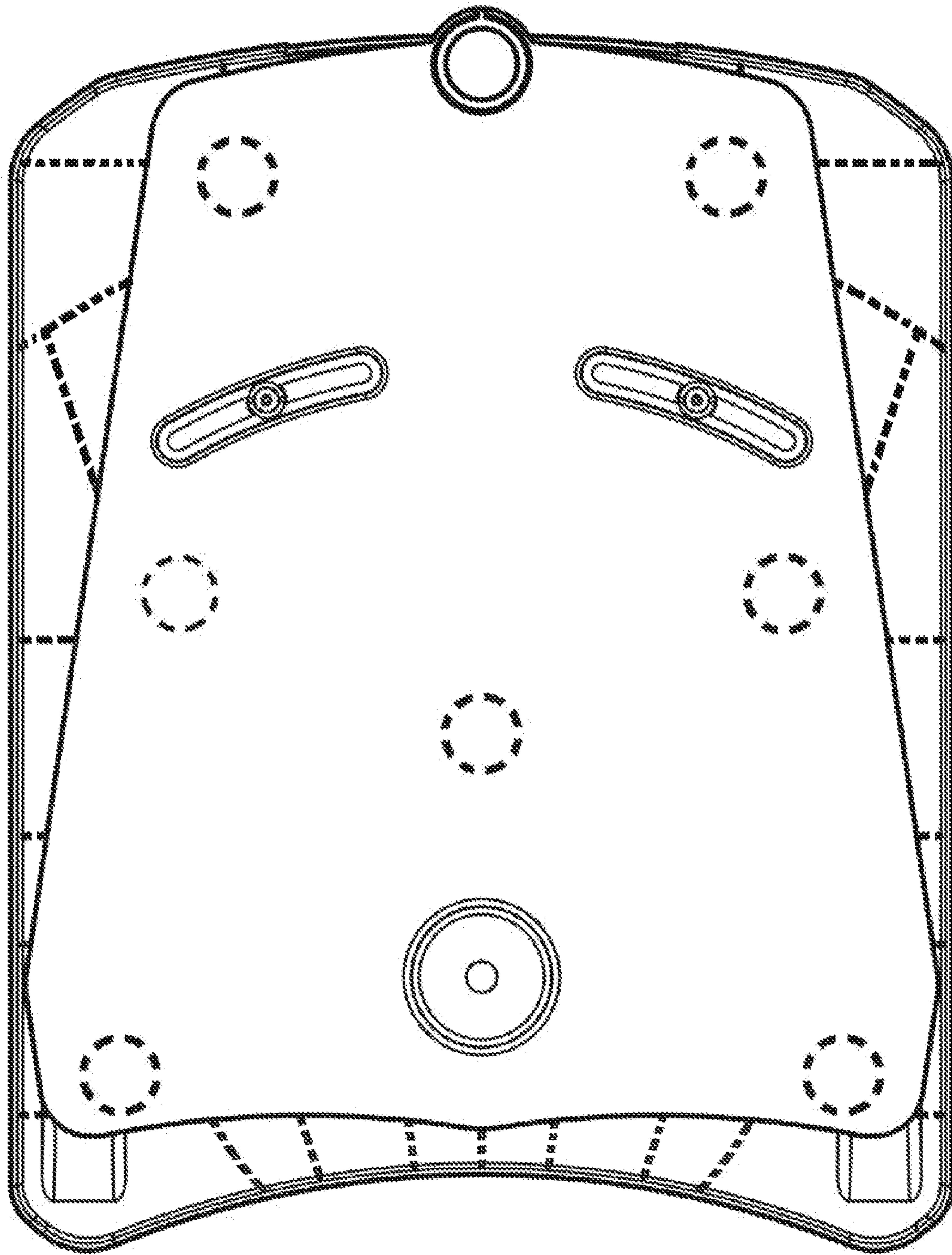
1.5



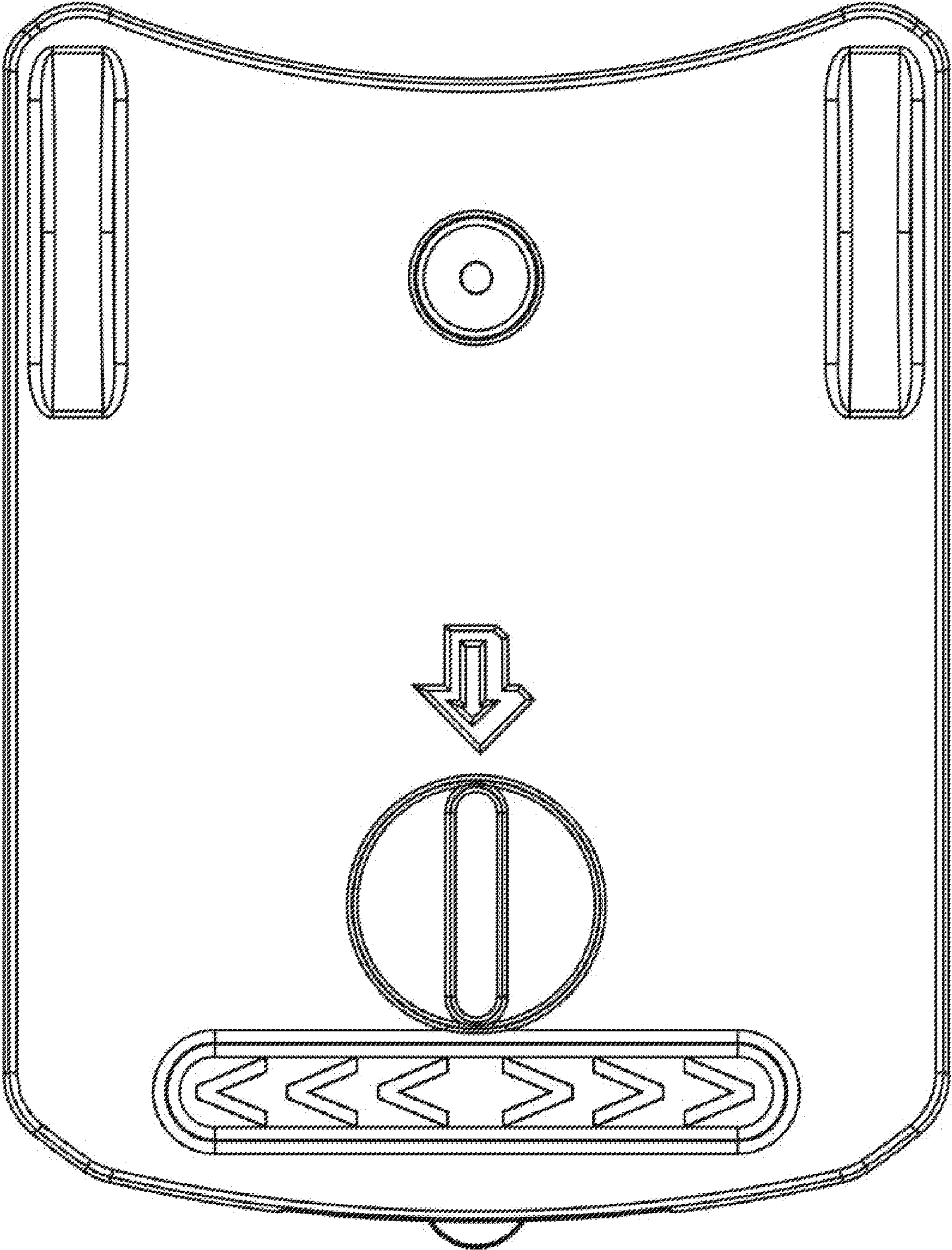
1.6



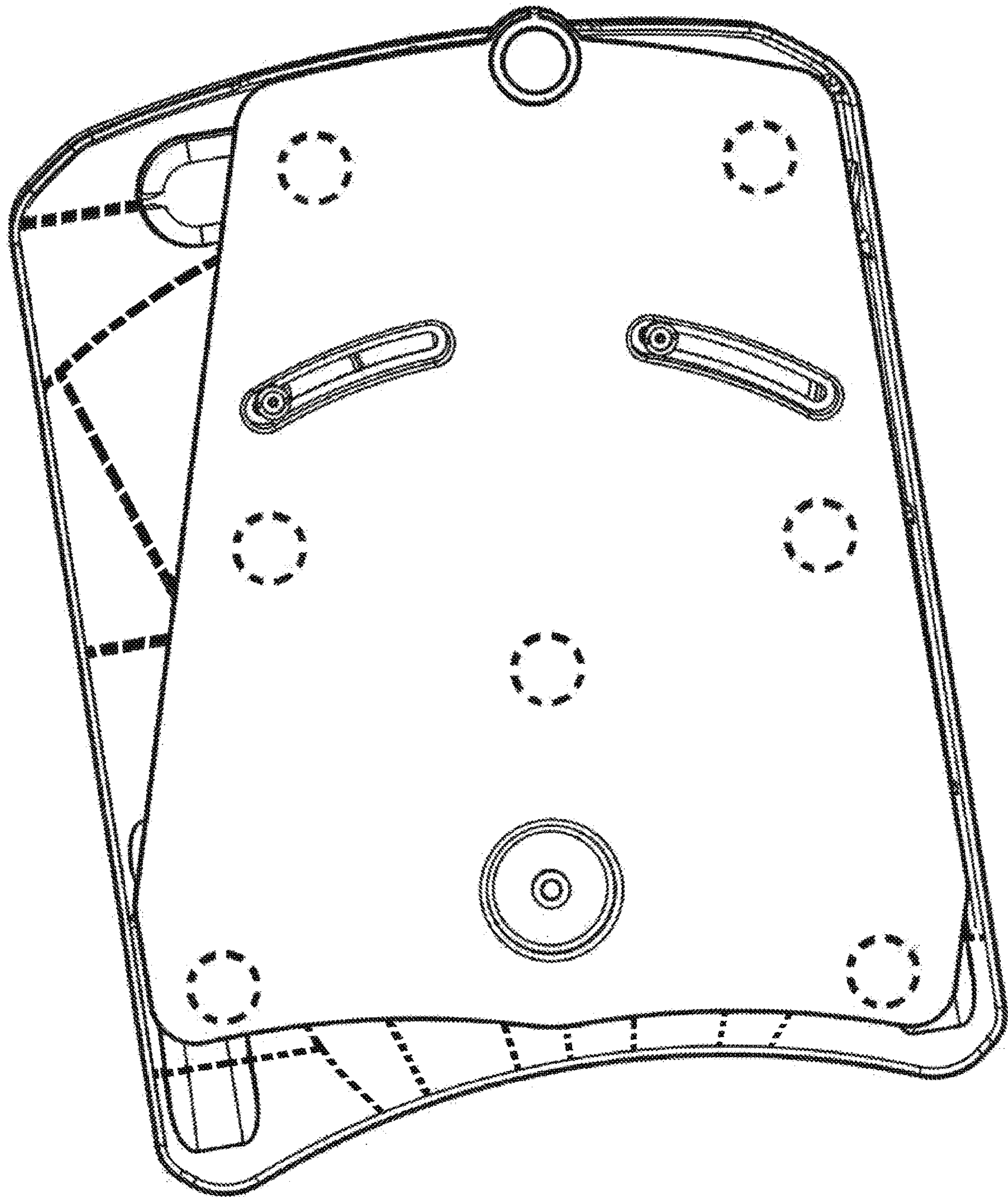
1.7



1.8



1.9



1.10

