



US00D970660S

(12) **United States Design Patent** (10) **Patent No.:** **US D970,660 S**
Peng (45) **Date of Patent:** **** Nov. 22, 2022**

(54) **EXERCISING APPARATUS**
(71) Applicant: **Yanhong Peng**, Hunan Province (CN)
(72) Inventor: **Yanhong Peng**, Hunan Province (CN)
(**) Term: **15 Years**
(21) Appl. No.: **29/840,812**
(22) Filed: **Jun. 1, 2022**
(51) **LOC (13) Cl.** **21-02**
(52) **U.S. Cl.**
USPC **D21/694**
(58) **Field of Classification Search**
USPC D21/686-694
CPC A63B 26/00; A63B 5/00; A63B 21/00047
See application file for complete search history.

(56) **References Cited**
U.S. PATENT DOCUMENTS
D348,707 S * 7/1994 Cordell D21/692
5,558,609 A * 9/1996 Olschansky A63B 21/4015
482/125
D378,386 S * 3/1997 Brubaker D21/680
D428,942 S * 8/2000 Lapointe D21/412
6,234,934 B1 * 5/2001 Gorczyca A63B 21/0609
482/50
D538,360 S * 3/2007 Beaupre D21/684
D572,776 S * 7/2008 Wells D21/692
D602,539 S * 10/2009 Sims D21/662

D617,401 S * 6/2010 Kulka D21/692
D829,286 S * 9/2018 Bae D21/662
D865,085 S * 10/2019 Ishibashi D21/685
D912,169 S * 3/2021 Xu D21/677
2007/0087920 A1 * 4/2007 Dachraoui A63B 21/0552
482/121

* cited by examiner

Primary Examiner — Katrina A Betton

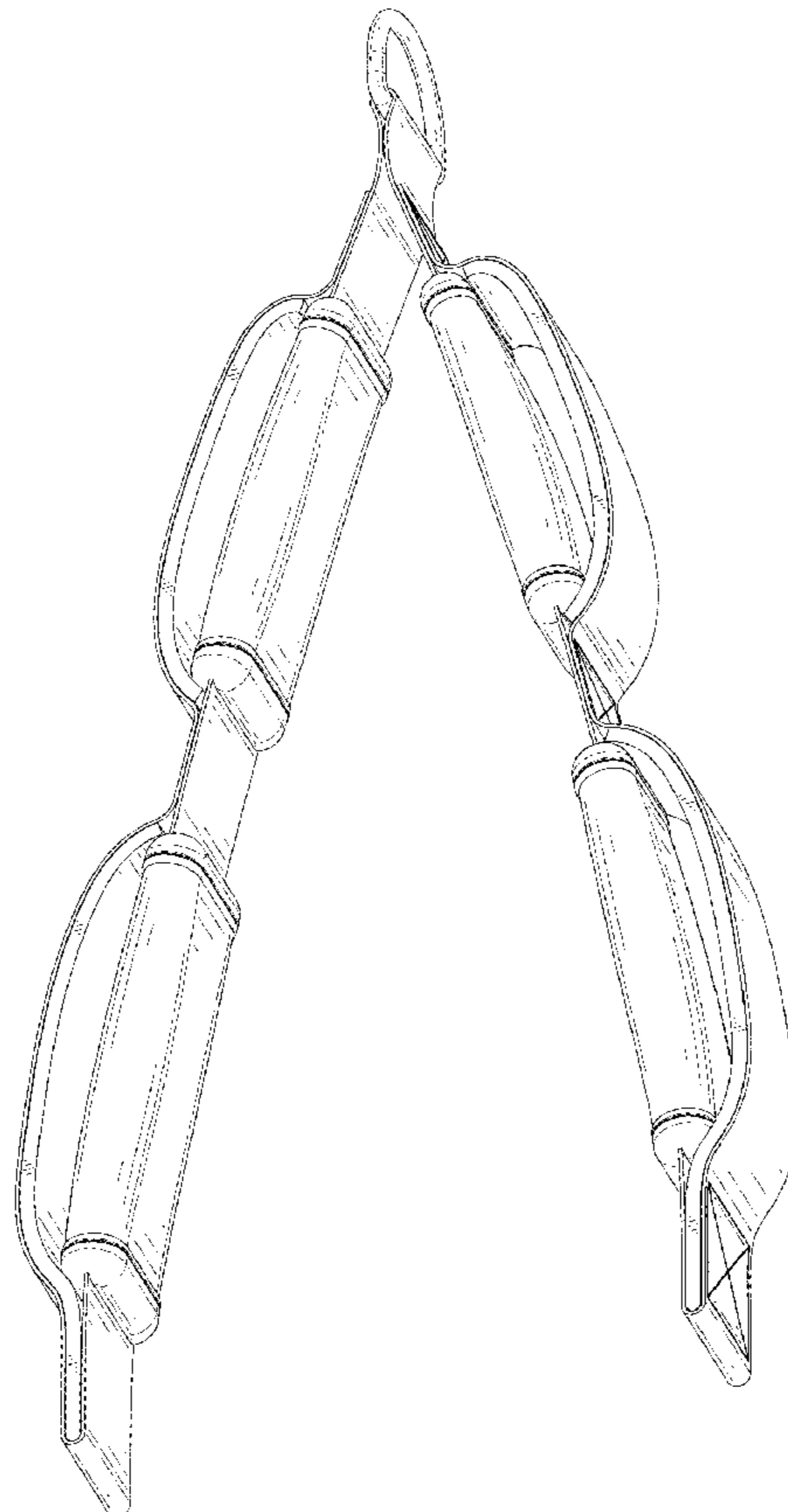
(57) **CLAIM**

The ornamental design for an exercising apparatus, as shown and described.

DESCRIPTION

FIG. 1 is a front and top perspective view of an exercising apparatus, showing my new design;
FIG. 2 is a rear and bottom perspective view thereof;
FIG. 3 is a front elevation view thereof;
FIG. 4 is a rear elevation view thereof;
FIG. 5 is a left side elevation view thereof;
FIG. 6 is a right side elevation view thereof;
FIG. 7 is a top plan view thereof;
FIG. 8 is a bottom plan view thereof; and,
FIG. 9 is an enlarged view of a portion indicated with numeric 9 in FIG. 1.
The dash dot dash lines in FIGS. 1 and 9 are for the purpose of depicting the boundary lines of the enlarged view and form no part of the claimed design.

1 Claim, 9 Drawing Sheets



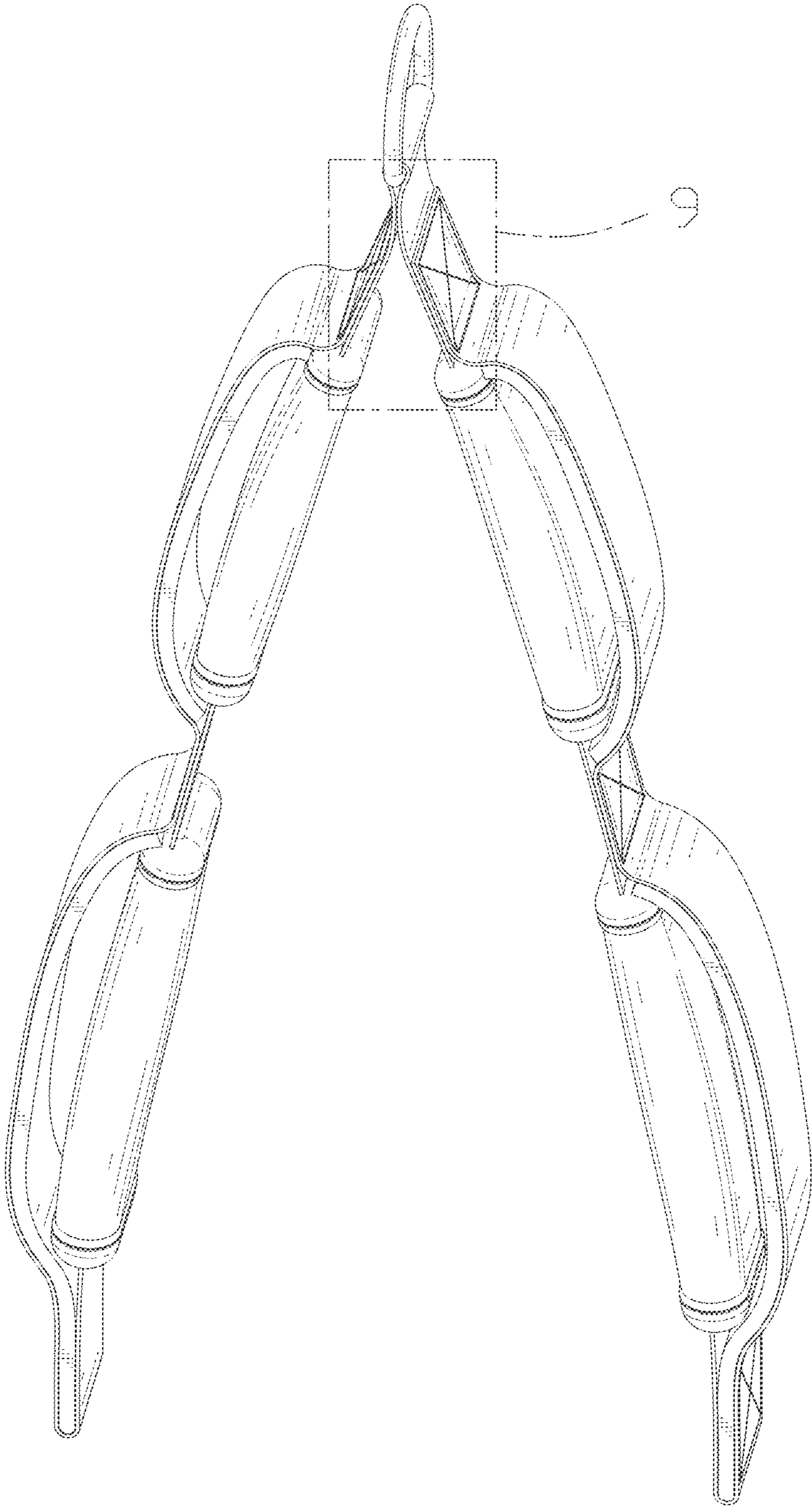


FIG. 1

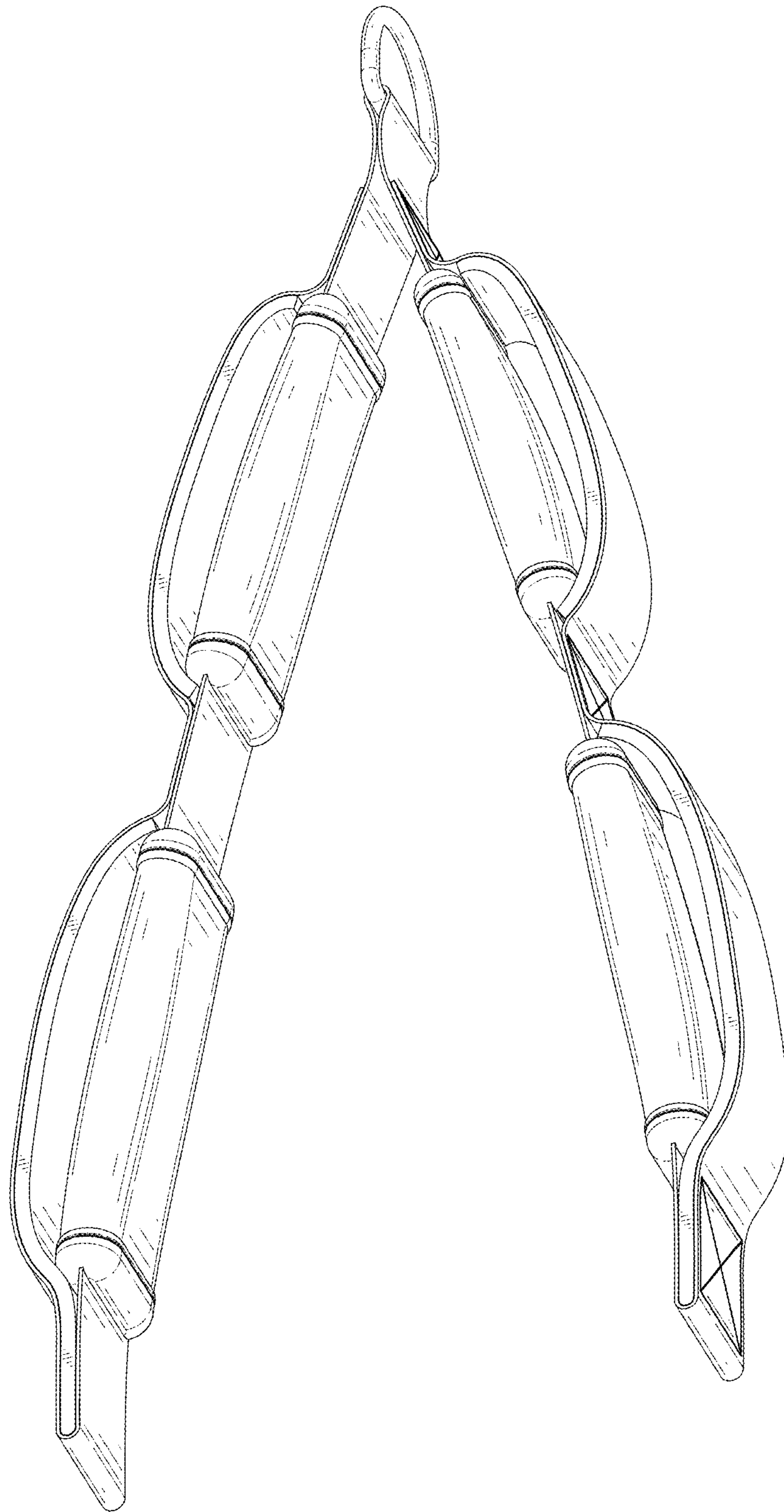


FIG. 2

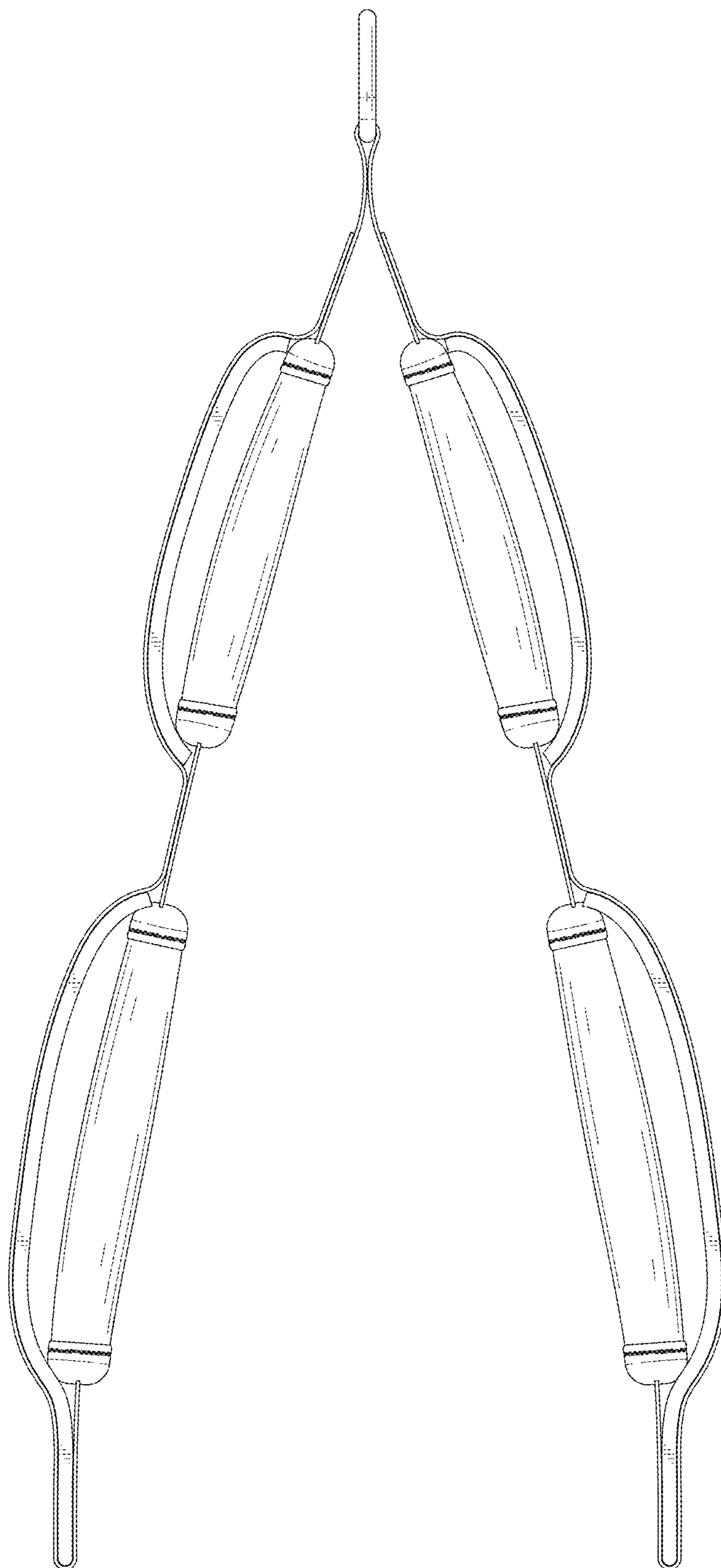


FIG. 3

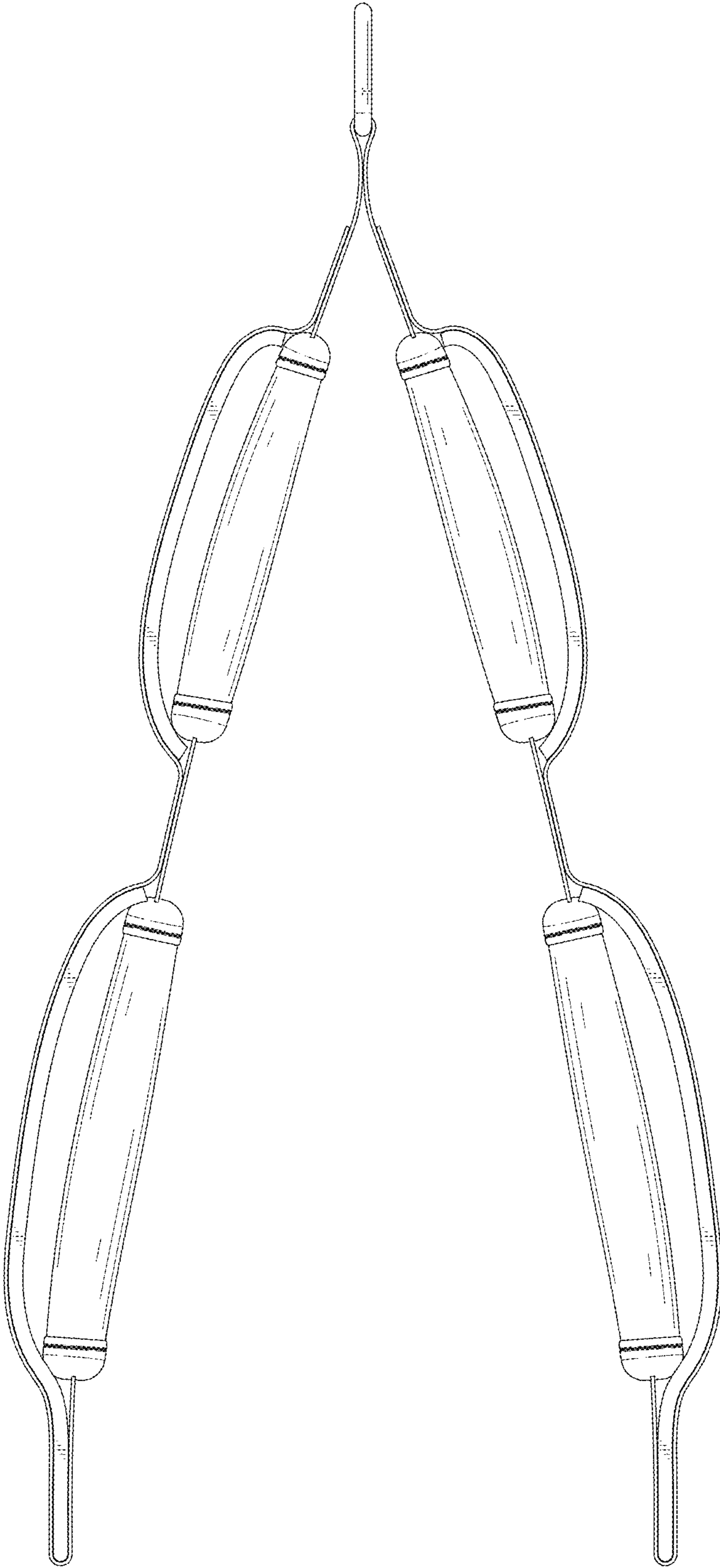


FIG. 4

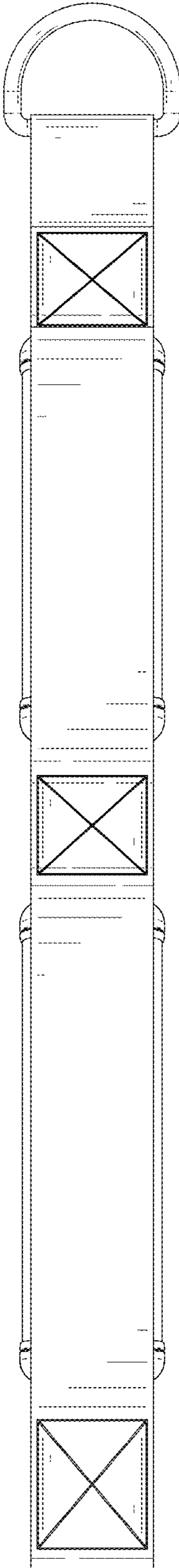


FIG. 5

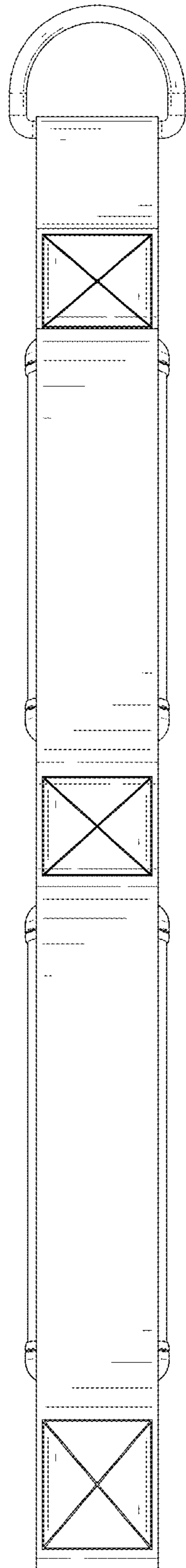


FIG. 6

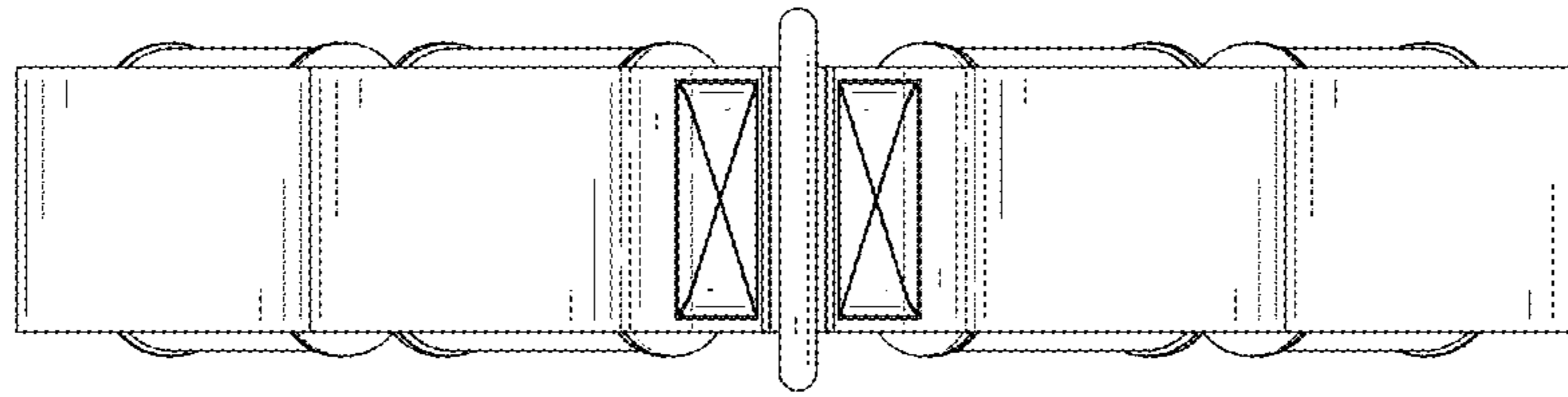


FIG. 7

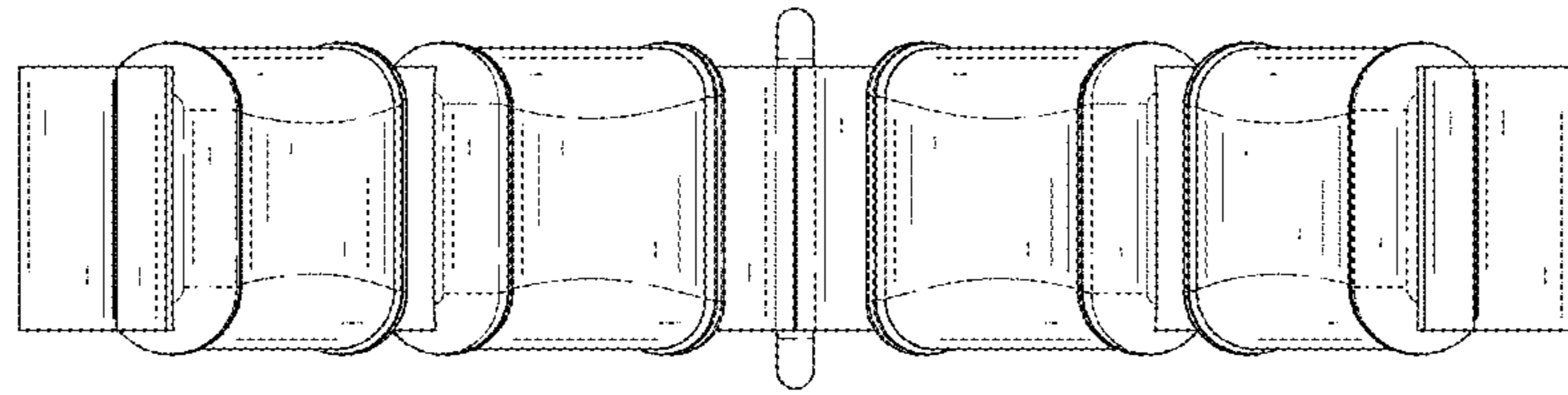


FIG. 8

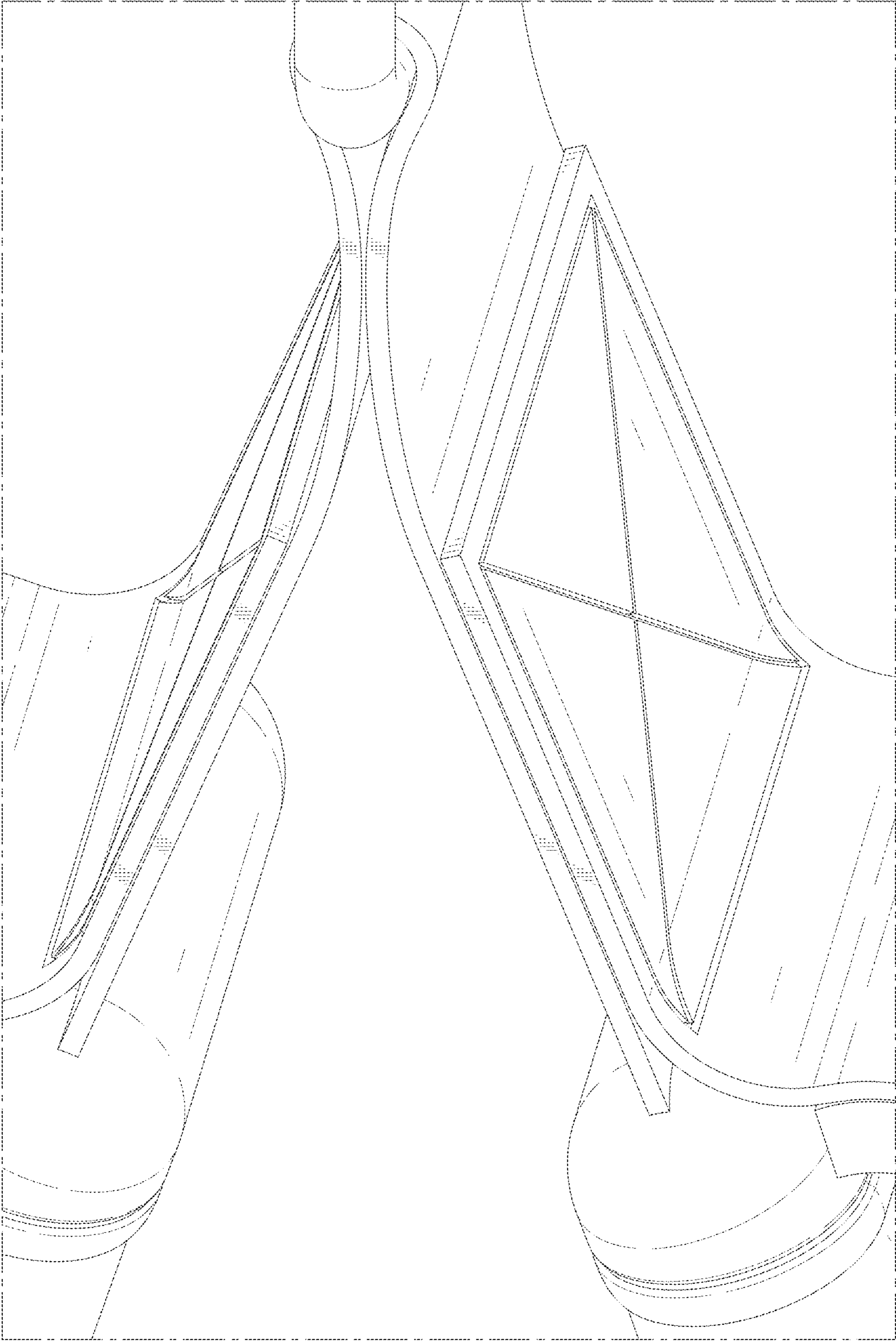


FIG. 9