



US00D970658S

(12) **United States Design Patent**
Zhang

(10) **Patent No.:** **US D970,658 S**

(45) **Date of Patent:** **** Nov. 22, 2022**

(54) **ABDOMINAL EXERCISE DEVICE**

(71) Applicant: **Haitao Zhang**, Jiangsu (CN)

(72) Inventor: **Haitao Zhang**, Jiangsu (CN)

(**) Term: **15 Years**

(21) Appl. No.: **29/842,356**

(22) Filed: **Jun. 13, 2022**

(51) **LOC (13) Cl.** **21-02**

(52) **U.S. Cl.**
USPC **D21/690**

(58) **Field of Classification Search**
USPC D21/686-694
CPC A63B 23/0458; A63B 2208/0204; A63B 21/0004; A63B 21/0442; A63B 22/18; A63B 22/16; A63B 26/003; A63B 21/4025; A63B 21/02; A63B 21/4017; A63B 21/4029

See application file for complete search history.

(56) **References Cited**

U.S. PATENT DOCUMENTS

- 5,350,346 A * 9/1994 Martinez A63B 21/4031 482/142
- D852,903 S 7/2019 Chuang
- D914,812 S * 3/2021 Campanaro D21/674
- 10,953,275 B2 * 3/2021 Porteros De Luz A63B 23/0482
- D927,614 S * 8/2021 Behar D21/690
- D933,760 S * 10/2021 Qiao D21/676
- D933,763 S * 10/2021 Wang D21/687
- D939,033 S * 12/2021 McGrotty D21/690
- D952,777 S * 5/2022 Horita D21/690

- D953,452 S * 5/2022 Smith D21/686
- 2005/0143233 A1 * 6/2005 Shifferaw A63B 21/023 482/130
- 2009/0176633 A1 * 7/2009 Dlugopolskiy A63B 21/4047 482/100
- 2015/0038304 A1 * 2/2015 Davenport A63B 23/1218 482/123
- 2021/0205652 A1 * 7/2021 Chuang A63B 21/00192

* cited by examiner

Primary Examiner — Katrina A Betton

(57) **CLAIM**

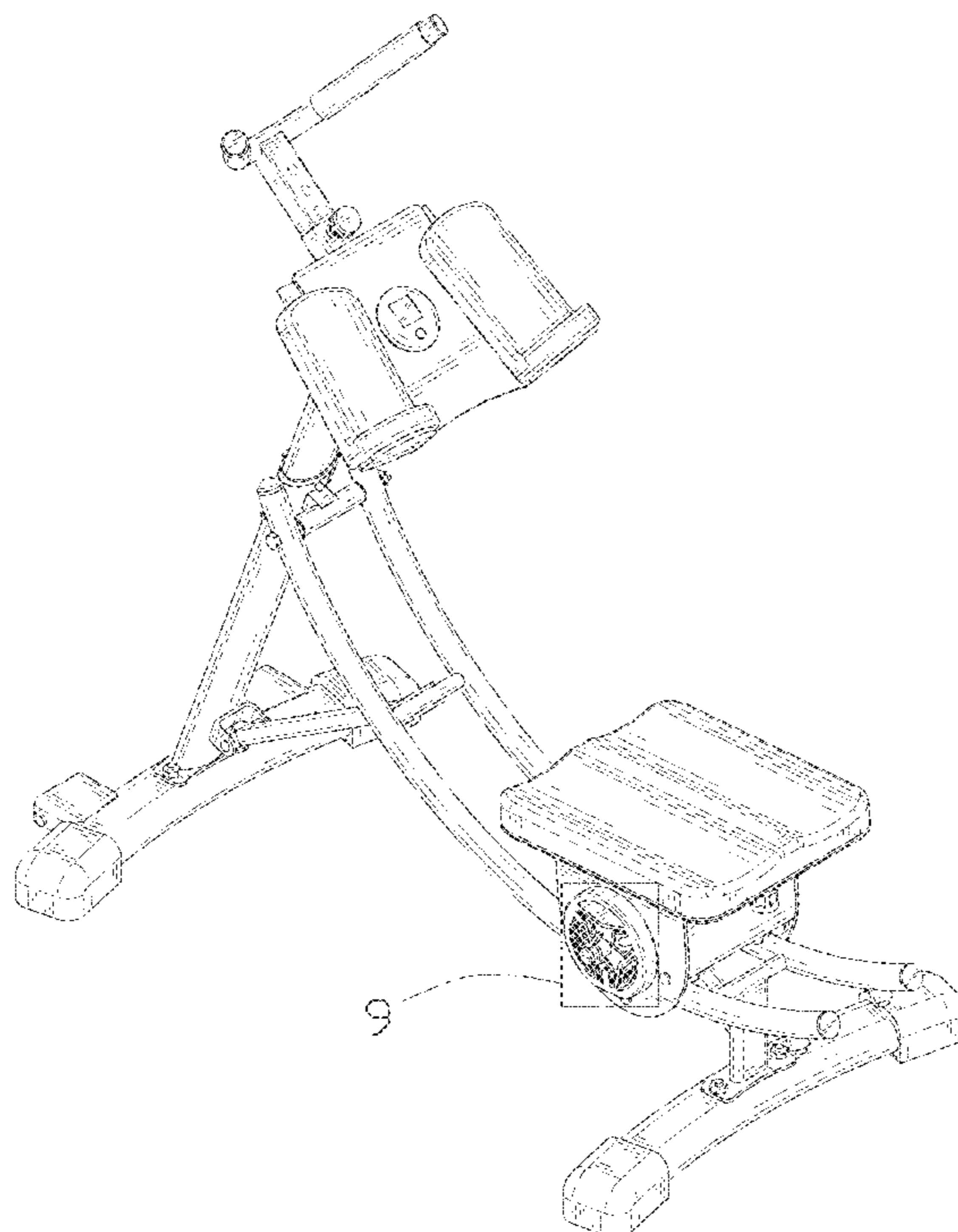
The ornamental design for an abdominal exercise device, as shown and described.

DESCRIPTION

FIG. 1 is a front and top perspective view of an abdominal exercise device, showing my new design;
 FIG. 2 is a rear and bottom perspective view thereof;
 FIG. 3 is a front elevation view thereof;
 FIG. 4 is a rear elevation view thereof;
 FIG. 5 is a left side elevation view thereof;
 FIG. 6 is a right side elevation view thereof;
 FIG. 7 is a top plan view thereof;
 FIG. 8 is a bottom plan view thereof;
 FIG. 9 is an enlarged view of a portion indicated with numeric 9 in FIG. 1; and,
 FIG. 10 is an enlarged view of a portion indicated with numeric 10 in FIG. 2.

The dashed lines in the figures illustrate portions of the abdominal exercise device that form no part of the claimed design. The dash dot dash lines in FIGS. 1, 2, 9 and 10 are for the purpose of depicting the boundary lines of the enlarged views and form no part of the claimed design.

1 Claim, 10 Drawing Sheets



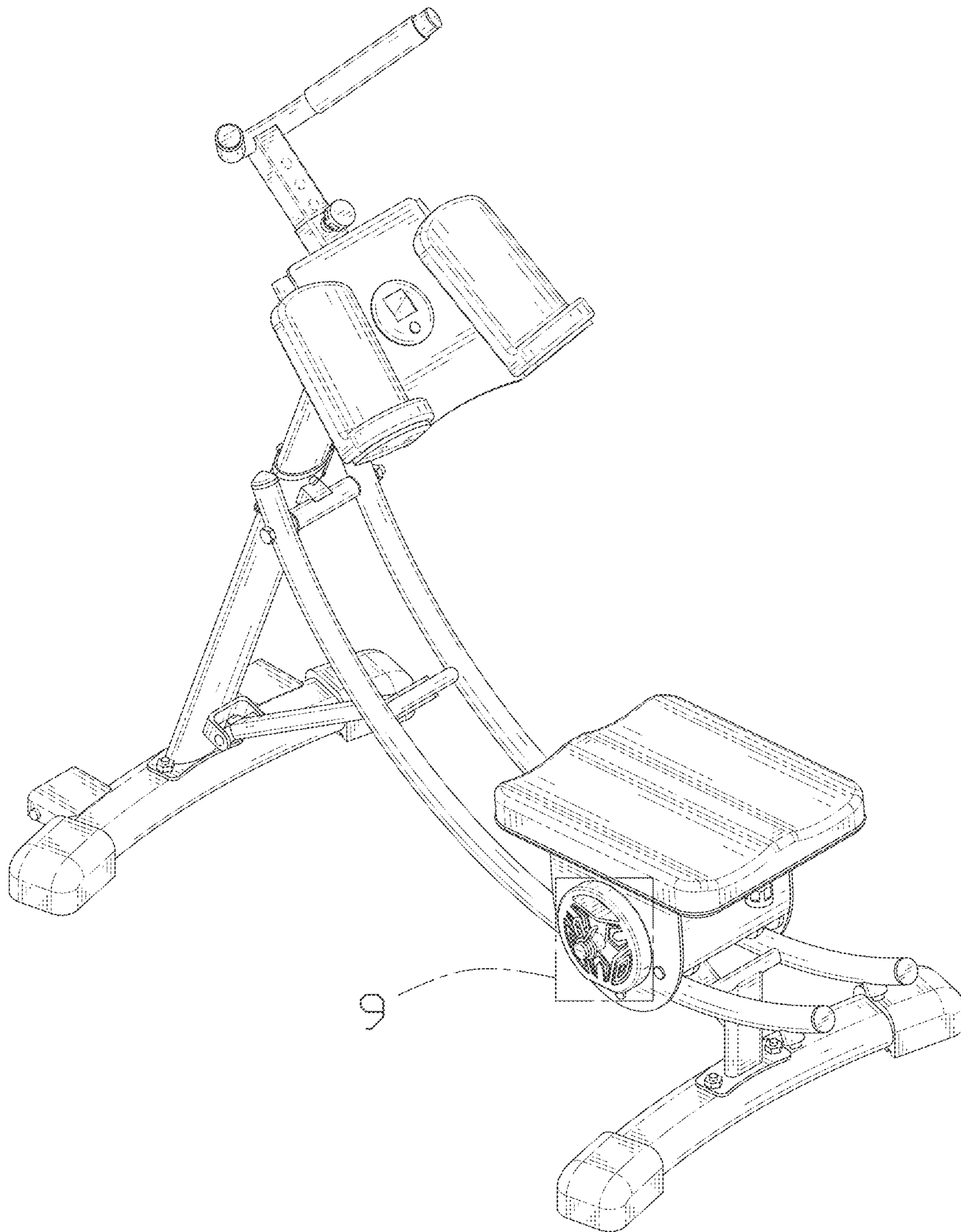


FIG. 1

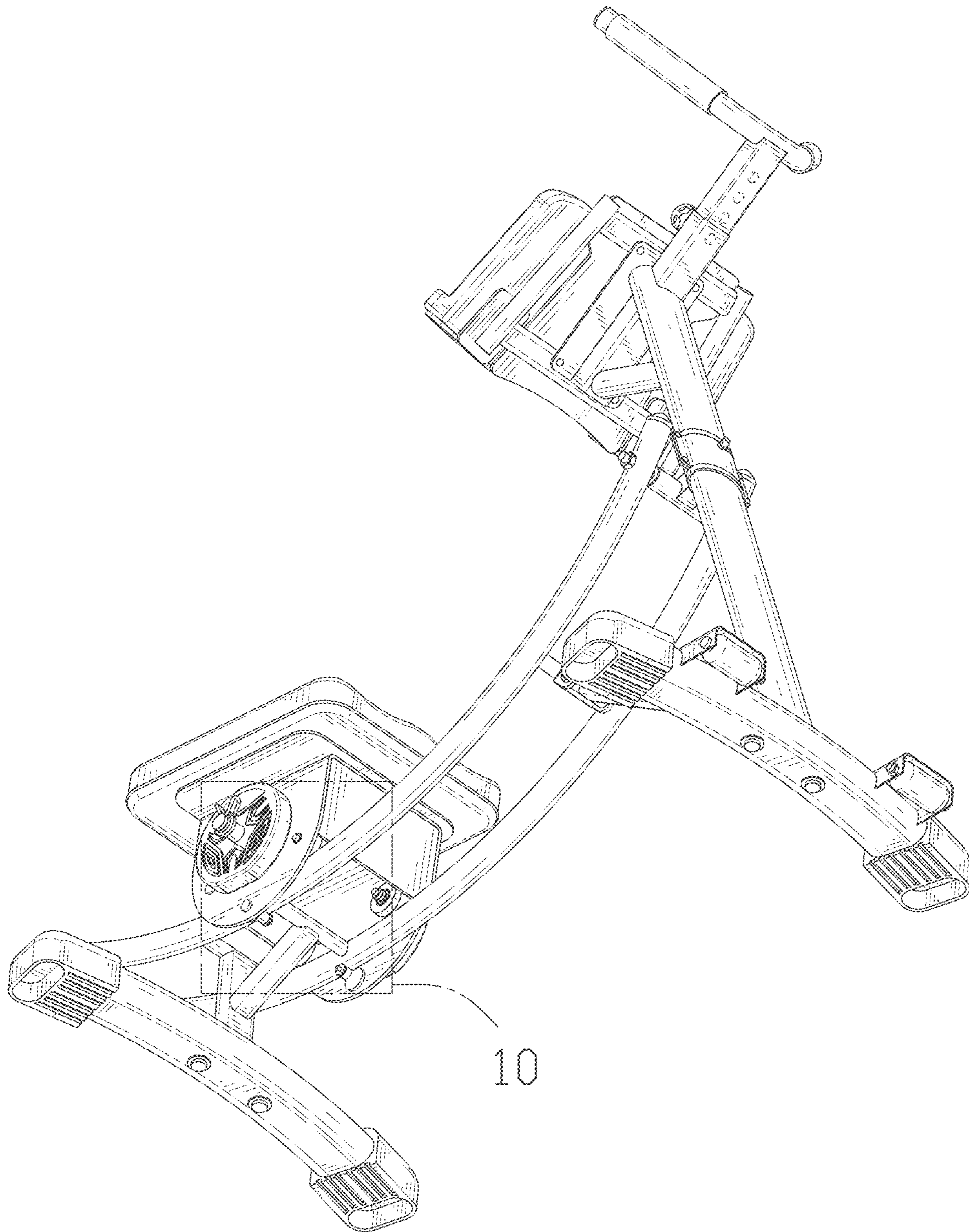


FIG. 2

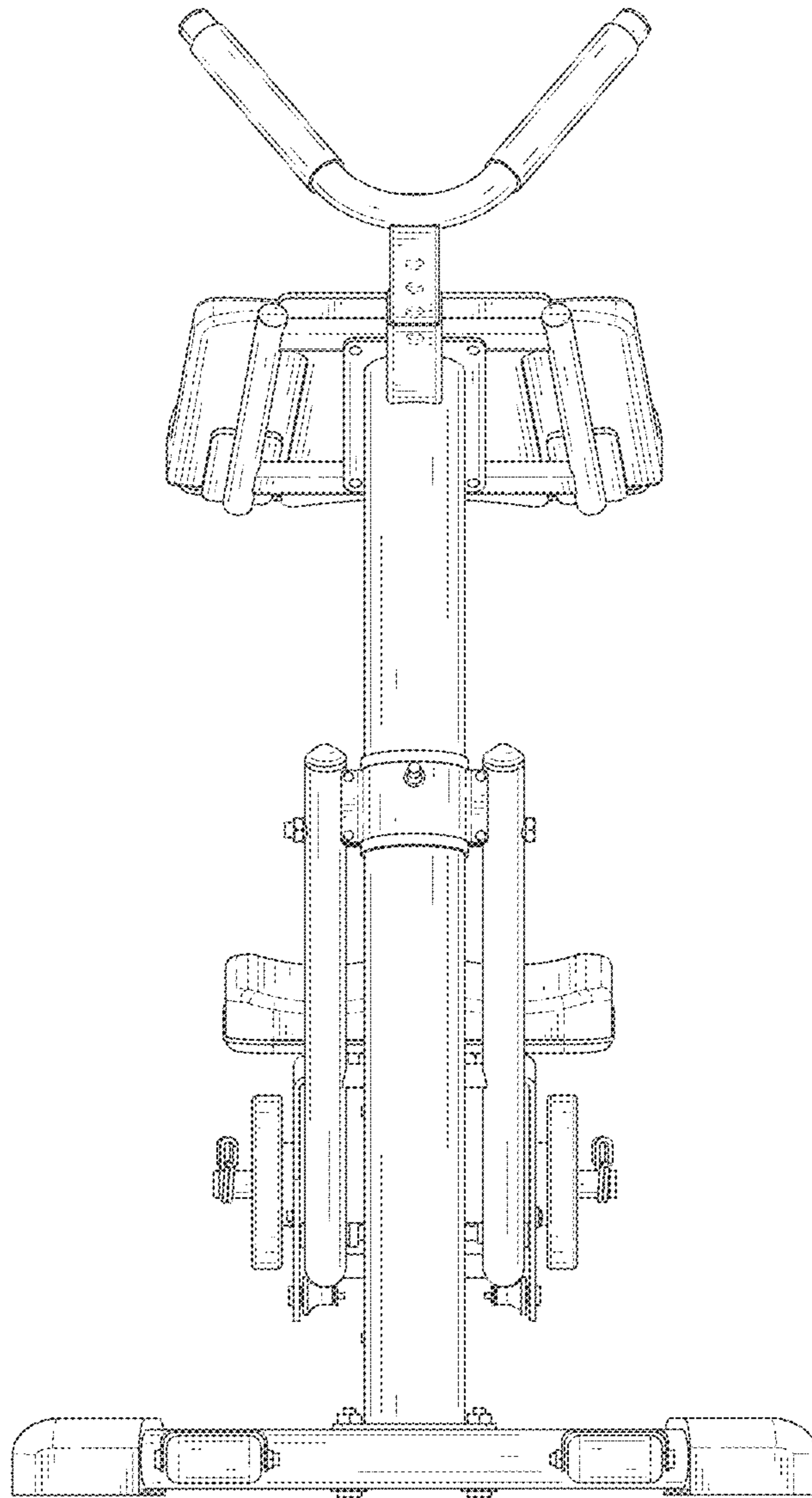


FIG. 3

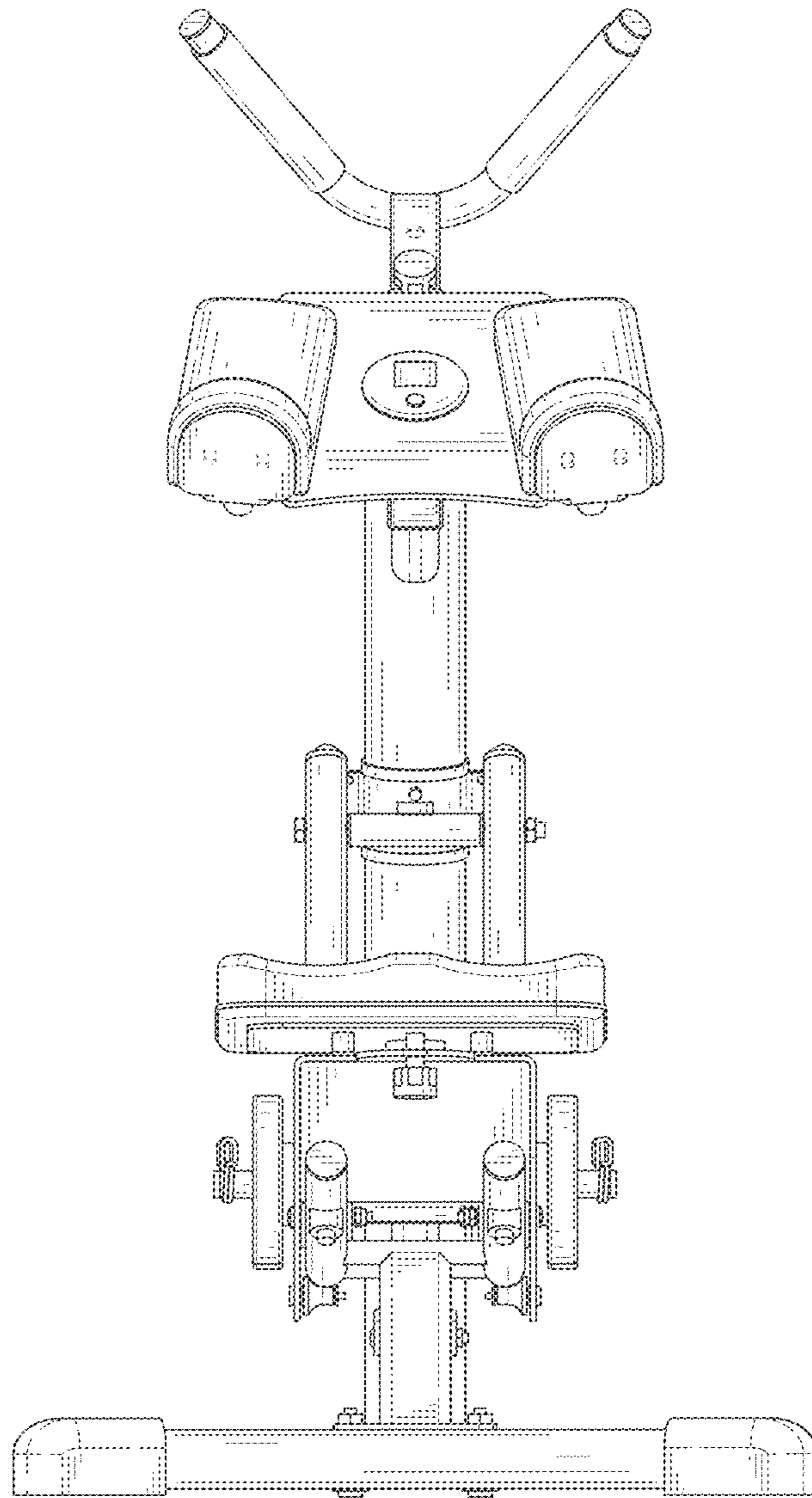


FIG. 4

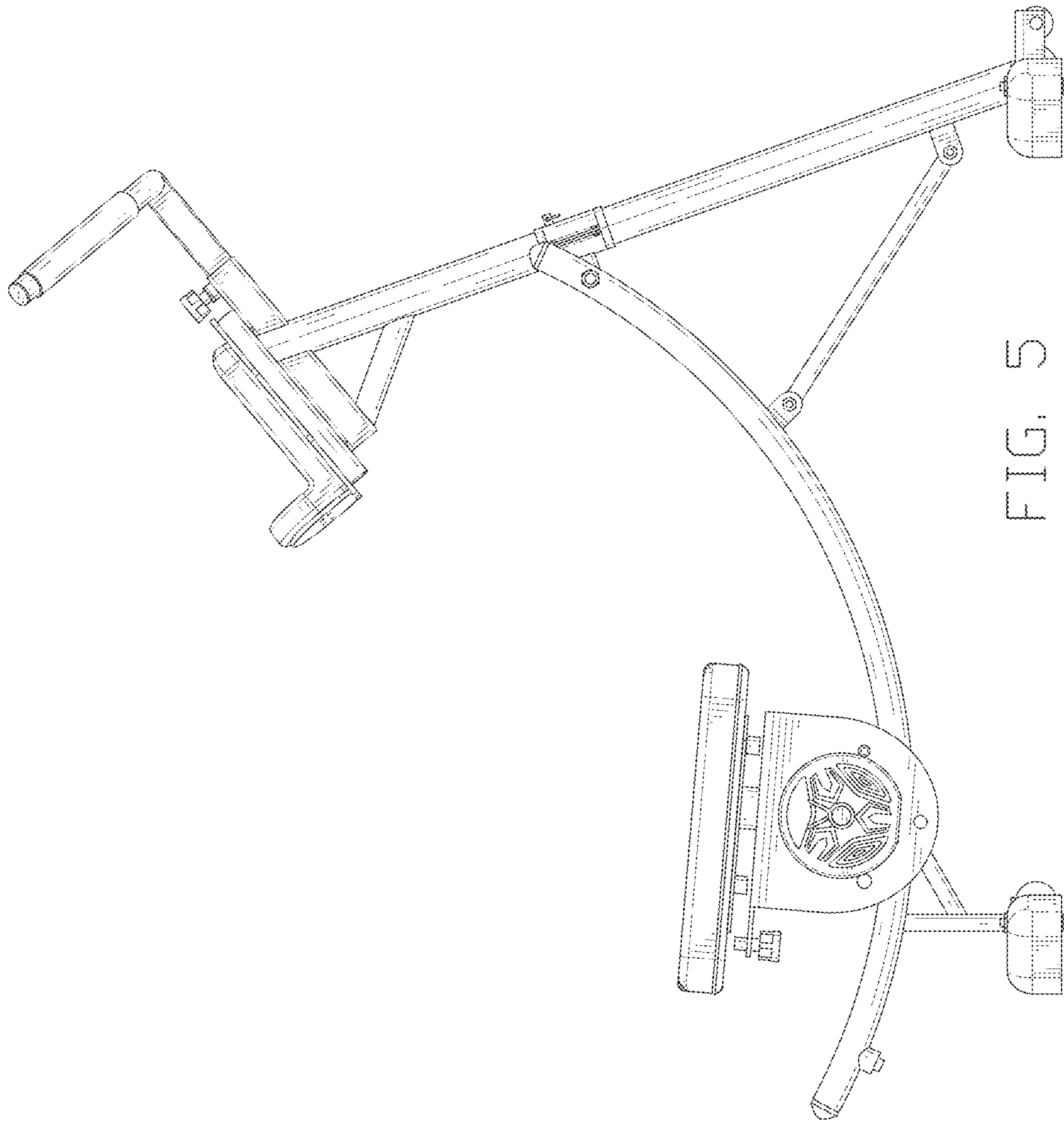


FIG. 5

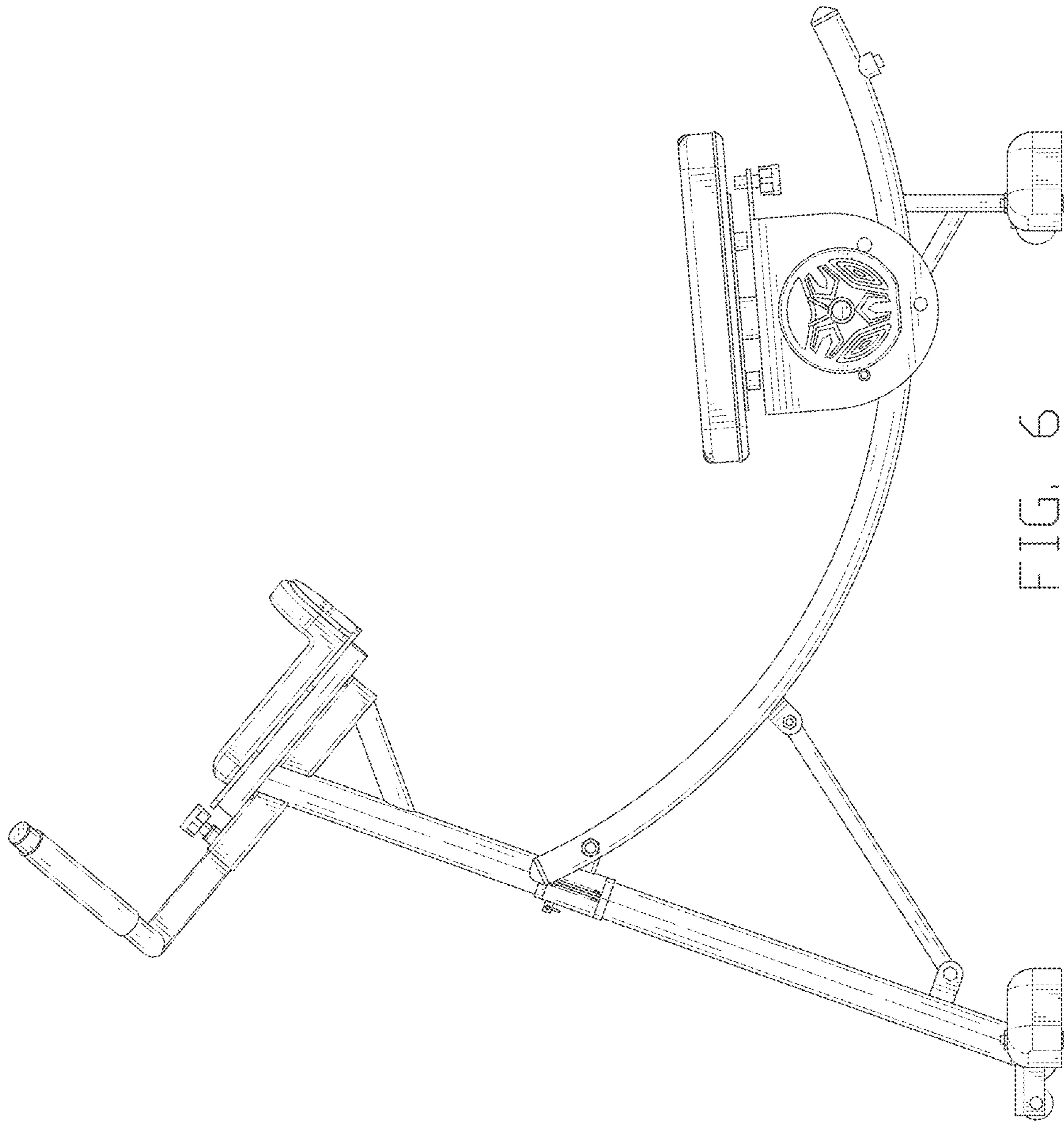


FIG. 6

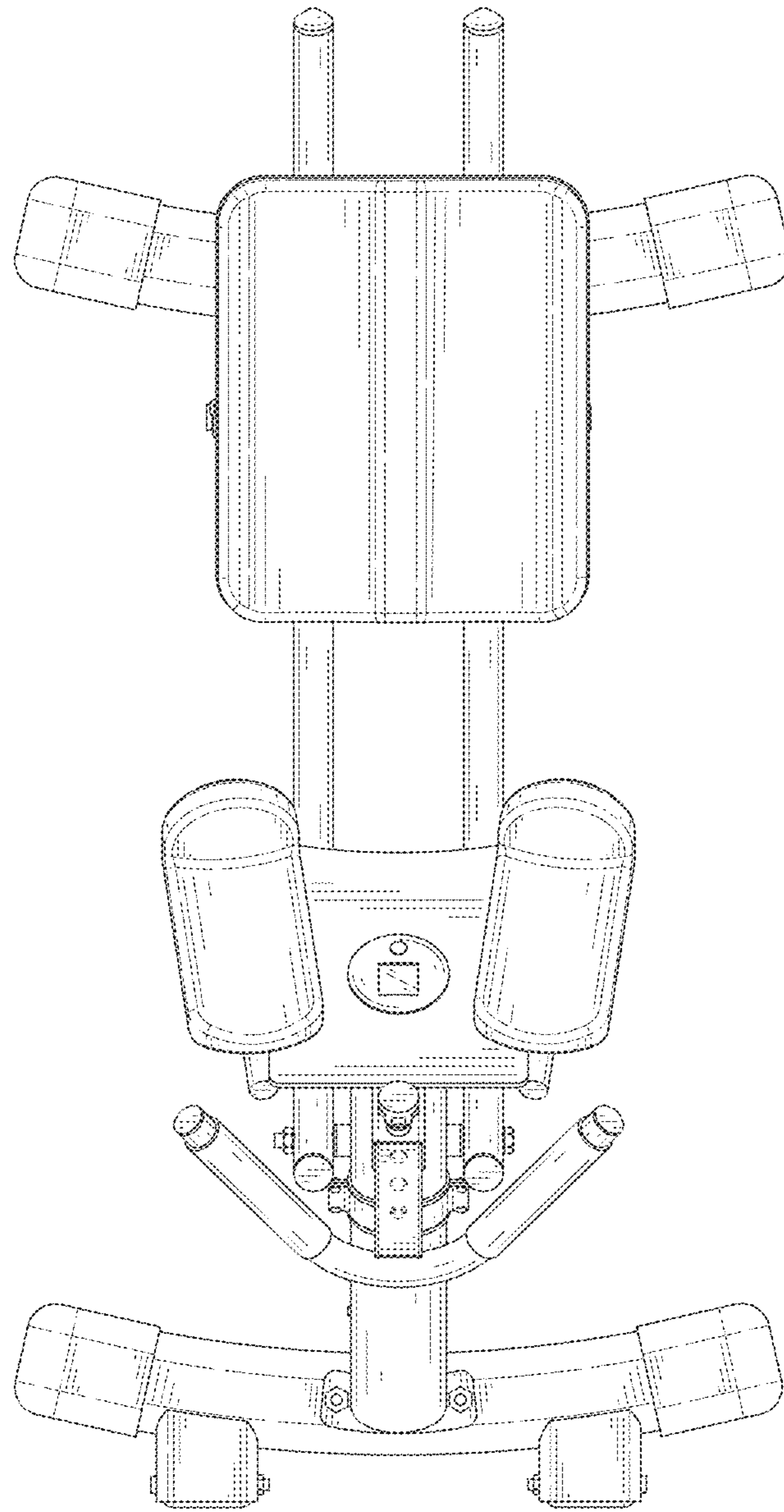


FIG. 7

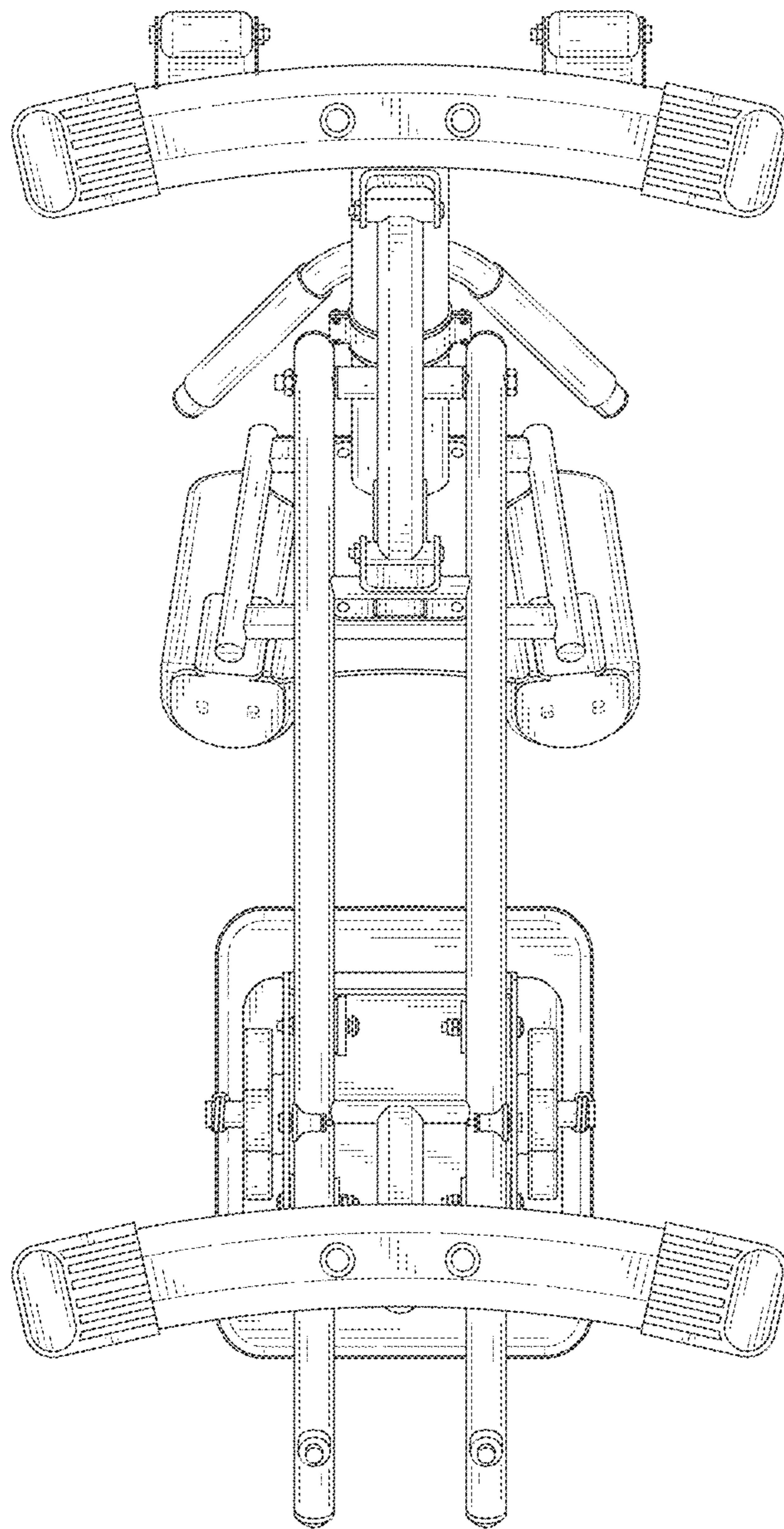


FIG. 8

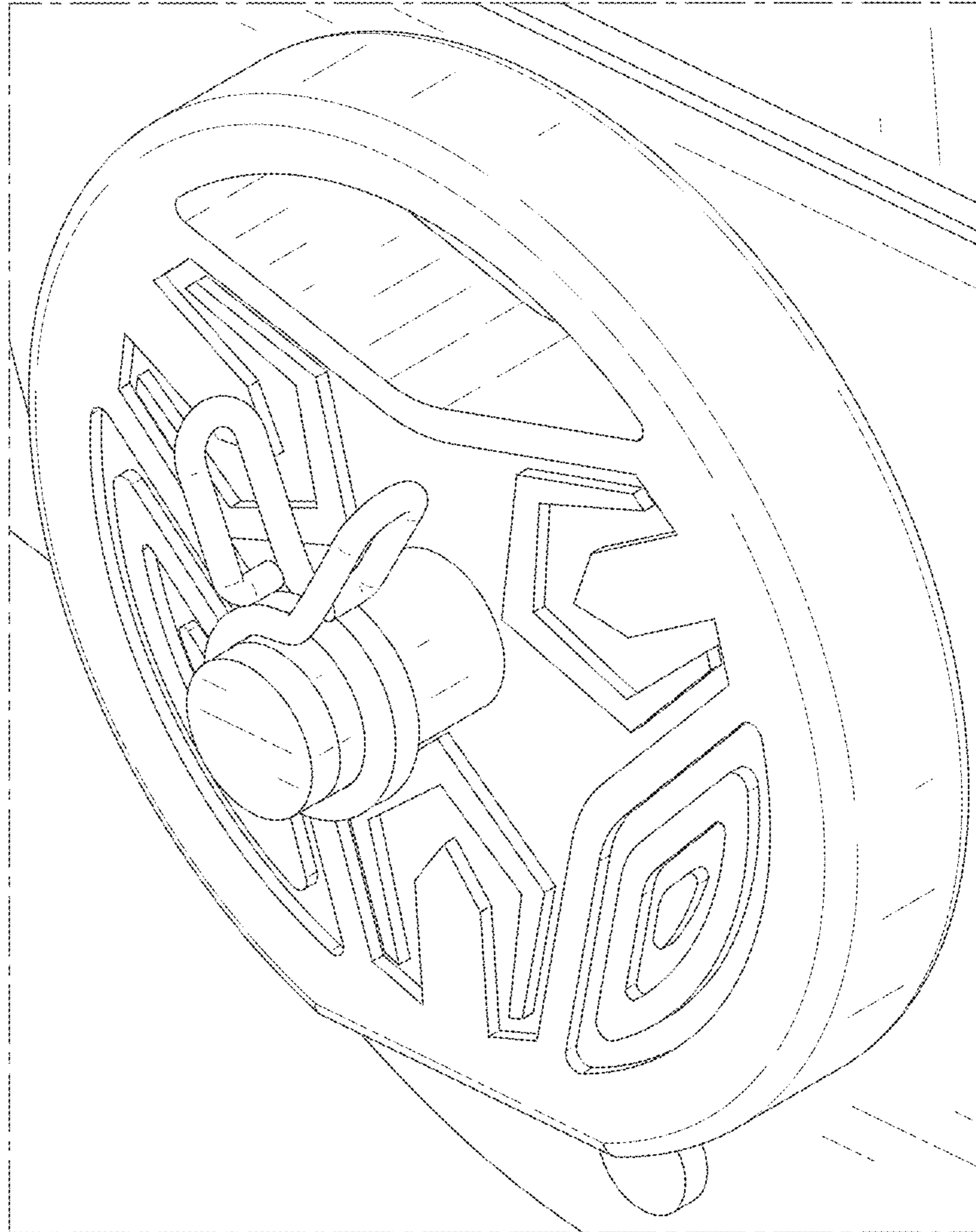


FIG. 9

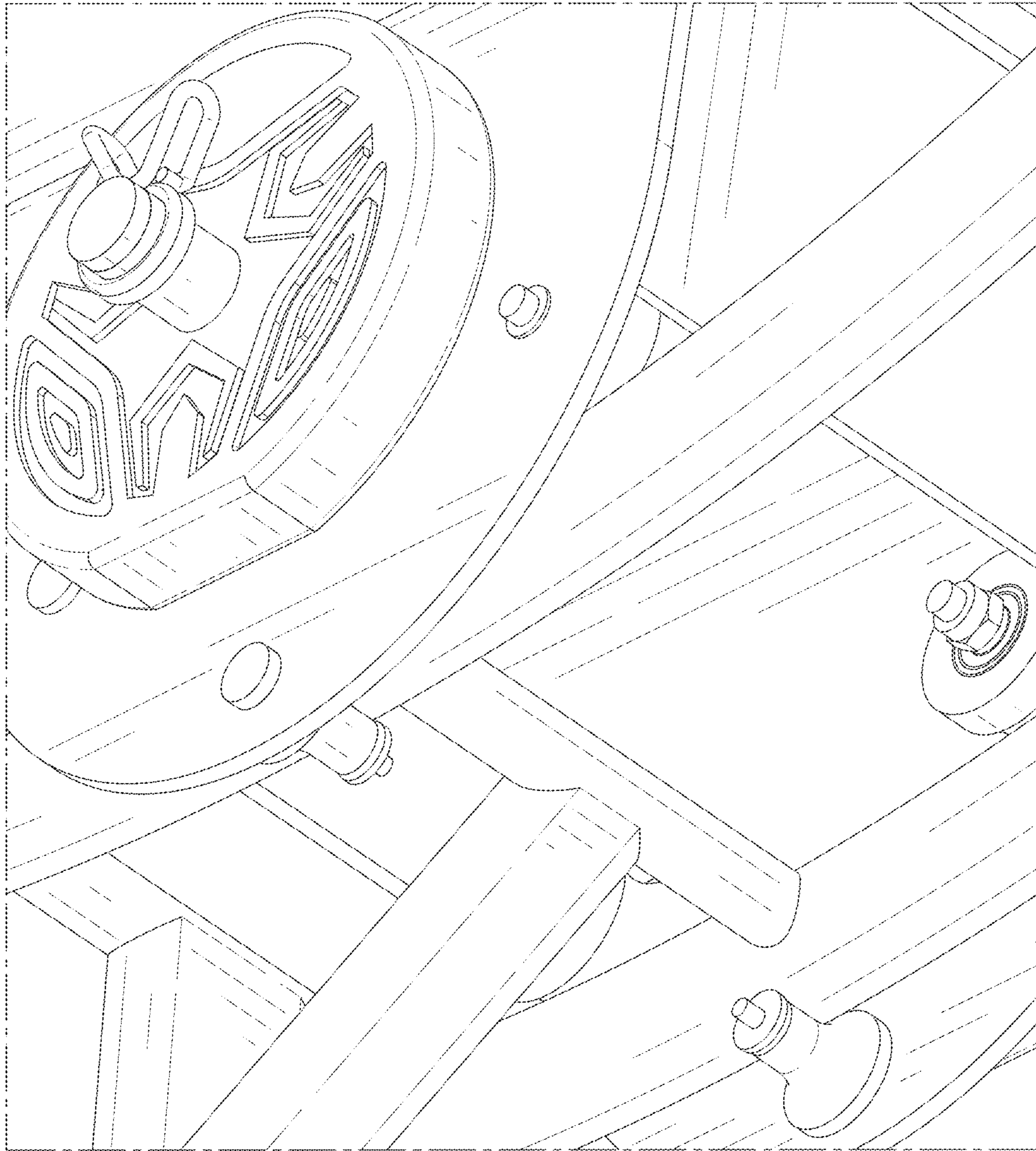


FIG. 10



US00D970658C1

(12) **EX PARTE REEXAMINATION CERTIFICATE** (12679th)
United States Patent
Zhang

(10) **Number:** **US D970,658 C1**
(45) **Certificate Issued:** **Aug. 16, 2024**

(54) **ABDOMINAL EXERCISE DEVICE**

(71) Applicant: **Haitao Zhang**, Jiangsu (CN)

(72) Inventor: **Haitao Zhang**, Jiangsu (CN)

Reexamination Request:

No. 90/015,309, Oct. 10, 2023

Reexamination Certificate for:

Patent No.: **Des. 970,658**

Issued: **Nov. 22, 2022**

Appl. No.: **29/842,356**

Filed: **Jun. 13, 2022**

(51) **LOC (14) Cl.** **21-02**

(52) **U.S. Cl.**

USPC **D21/690**

(58) **Field of Classification Search**

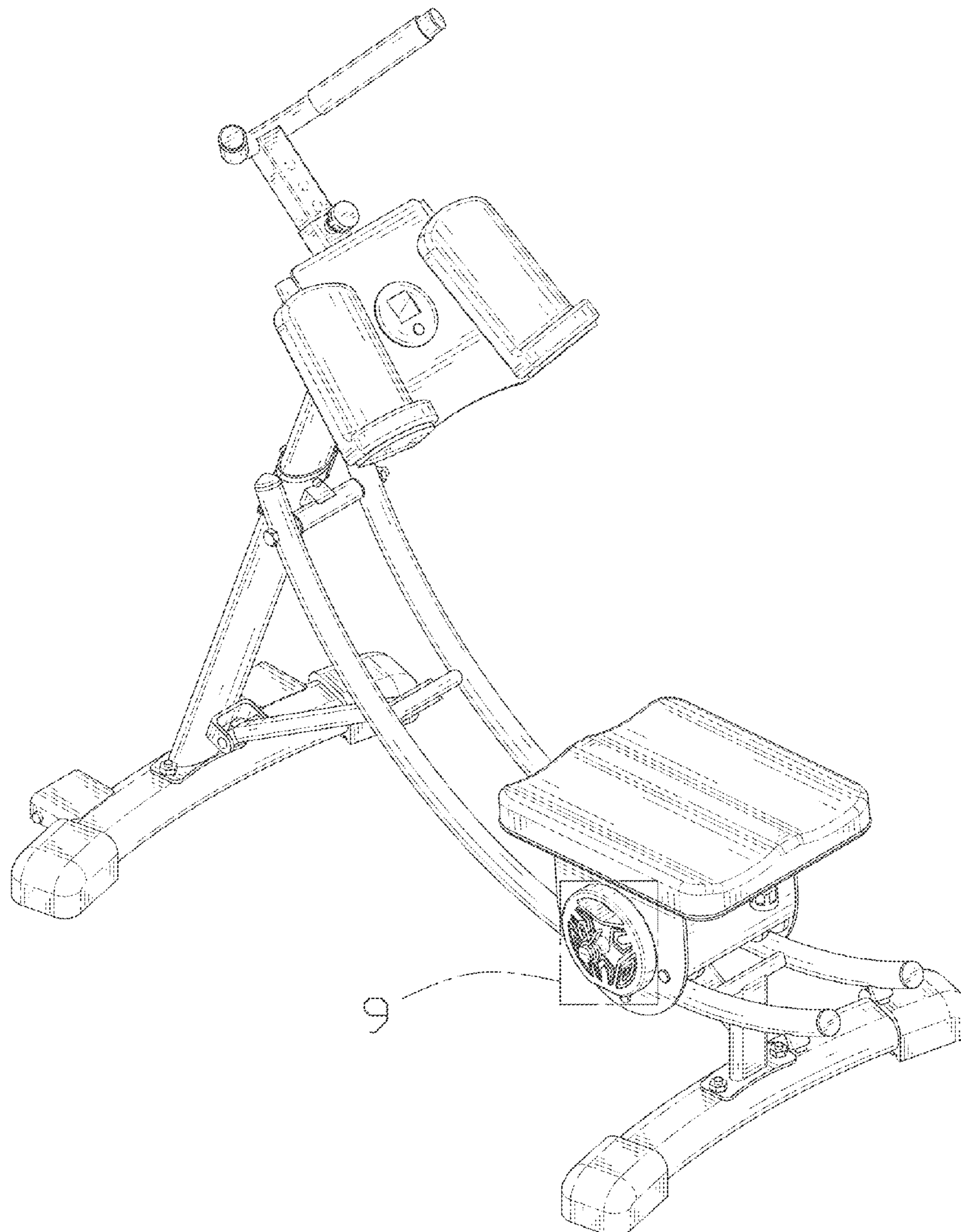
USPC D21/662, 687, 689

See application file for complete search history.

(56) **References Cited**

To view the complete listing of prior art documents cited during the proceeding for Reexamination Control Number 90/015,309, please refer to the USPTO's Patent Electronic System.

Primary Examiner — Brett Miller



1
EX PARTE
REEXAMINATION CERTIFICATE

NO AMENDMENTS HAVE BEEN MADE TO 5
THE PATENT

AS A RESULT OF REEXAMINATION, IT HAS BEEN
DETERMINED THAT:

The patentability of claim 1 is confirmed. 10

* * * * *