



US00D970657S

(12) **United States Design Patent** (10) **Patent No.:** **US D970,657 S**
Hu (45) **Date of Patent:** **** Nov. 22, 2022**

(54) **BALANCE BOARD**

(71) Applicant: **Fang Hu**, Yongkang (CN)

(72) Inventor: **Fang Hu**, Yongkang (CN)

(**) Term: **15 Years**

(21) Appl. No.: **29/844,621**

(22) Filed: **Jun. 30, 2022**

(51) **LOC (13) Cl.** **21-02**

(52) **U.S. Cl.**
USPC **D21/688**

(58) **Field of Classification Search**
USPC D12/688-694
CPC A63B 23/0458; A63B 2208/0204; A63B 21/0004; A63B 21/0442; A63B 22/18; A63B 22/16; A63B 26/003; A63B 21/4025; A63B 21/02; A63B 21/4017; A63B 21/4029

See application file for complete search history.

(56) **References Cited**

U.S. PATENT DOCUMENTS

6,705,977	B1 *	3/2004	Ziak	A63B 22/18 482/79
D778,377	S *	2/2017	Daniel	D21/688
D779,000	S *	2/2017	Olson	D21/686
D786,369	S *	5/2017	Choi	D21/688
D806,189	S *	12/2017	Failing	D21/688
D806,190	S *	12/2017	Failing	D21/688
9,987,518	B1 *	6/2018	Stack	A63B 21/4049
D848,623	S *	5/2019	Franche	D24/188
10,549,149	B1 *	2/2020	Long	A63B 23/0222
D886,922	S	6/2020	Hwang		
D910,125	S	2/2021	Liu et al.		

D916,218	S	4/2021	Lu et al.		
D926,271	S *	7/2021	Reding	D21/686
2009/0197748	A1 *	8/2009	Smith	A63B 22/18 482/146
2020/0094107	A1 *	3/2020	Mrzlak	A63B 21/4034

* cited by examiner

Primary Examiner — Katrina A Betton

(74) *Attorney, Agent, or Firm* — Rumit Ranjit Kanakia

(57) **CLAIM**

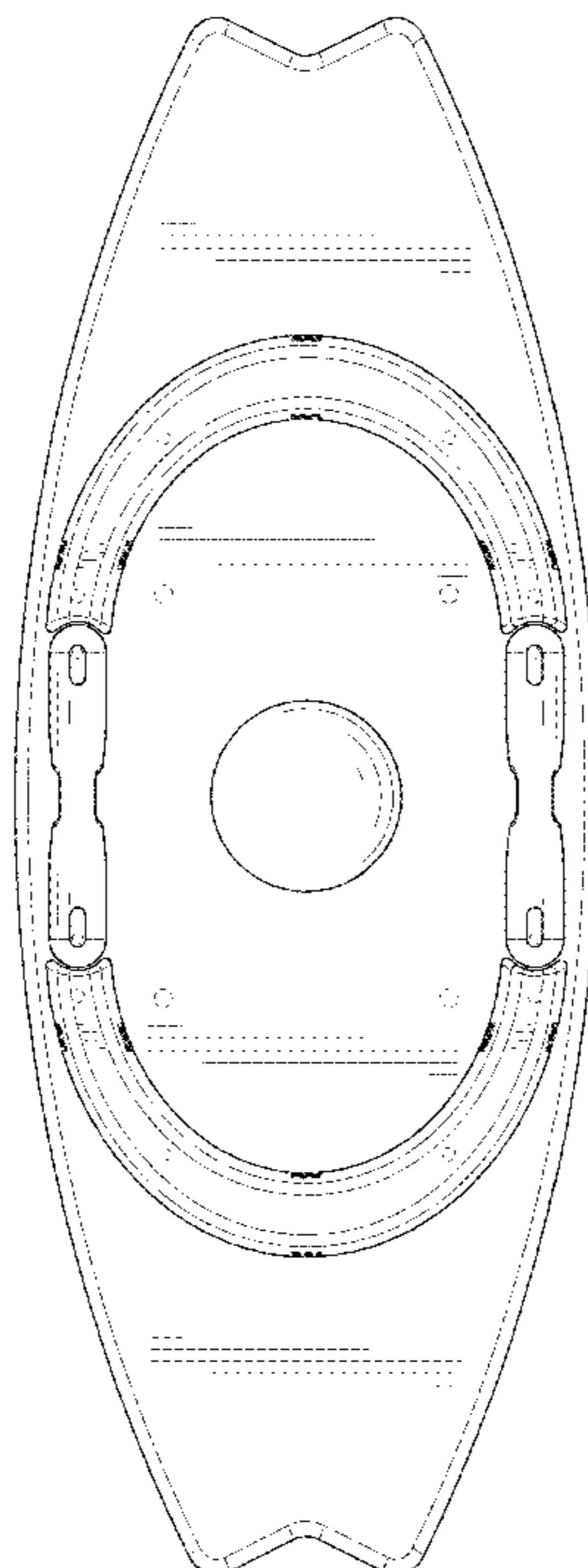
The ornamental design for a balance board, as shown and described.

DESCRIPTION

FIG. 1 is a first perspective view of a balance board showing my new design;
 FIG. 2 is a second perspective view thereof;
 FIG. 3 is a front view thereof;
 FIG. 4 is a back view thereof;
 FIG. 5 is a left side view thereof;
 FIG. 6 is a right side view thereof;
 FIG. 7 is a top view thereof;
 FIG. 8 is a bottom view thereof;
 FIG. 9 is a perspective view of another state of the balance board thereof;
 FIG. 10 is a perspective view of another state of the balance board thereof; and,
 FIG. 11 is an enlarged view of the selected portion 11 in FIG. 1.

The broken lines shown in the drawings depict portions of the balance board that form no part of the claimed design.

1 Claim, 11 Drawing Sheets



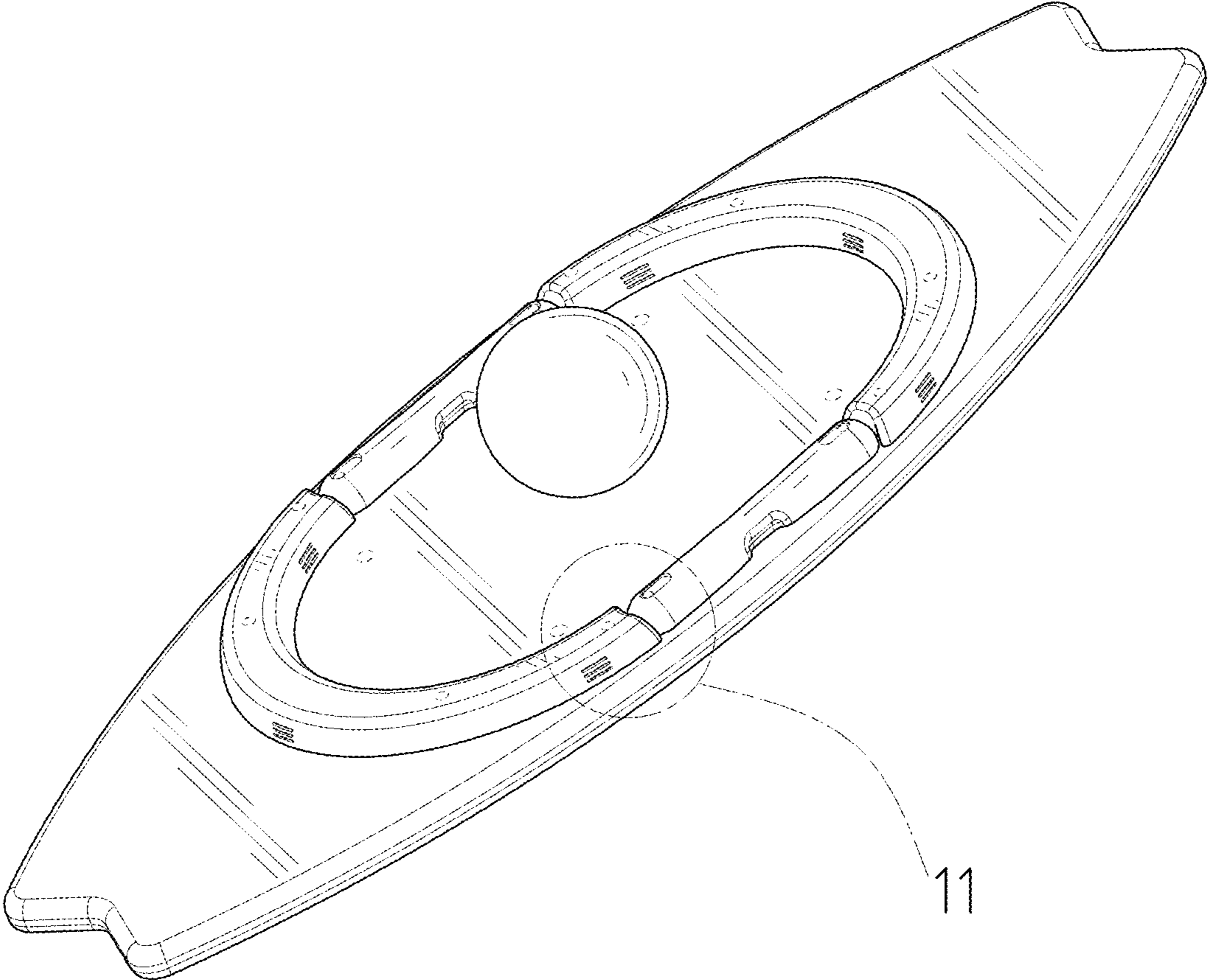


FIG. 1

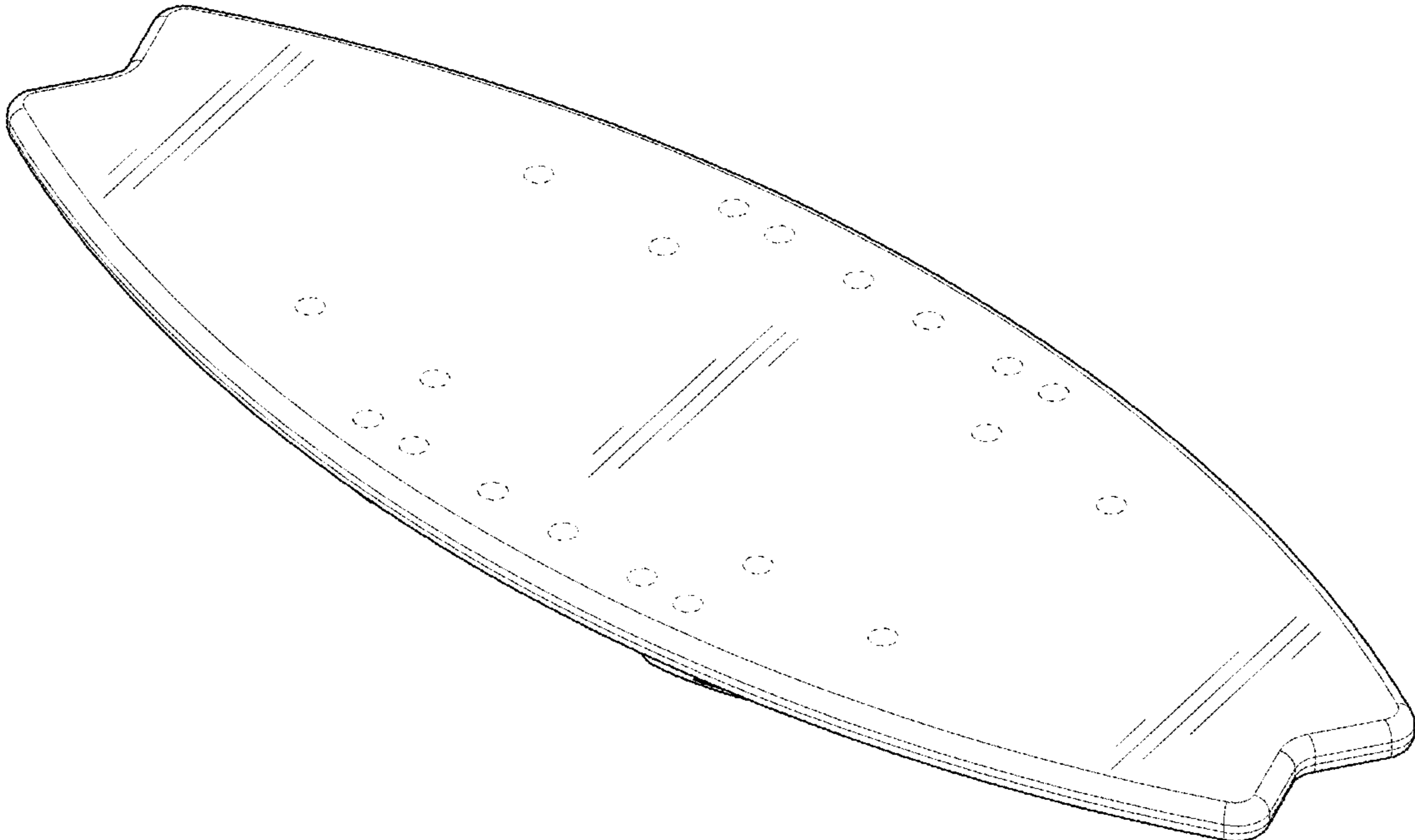


FIG. 2

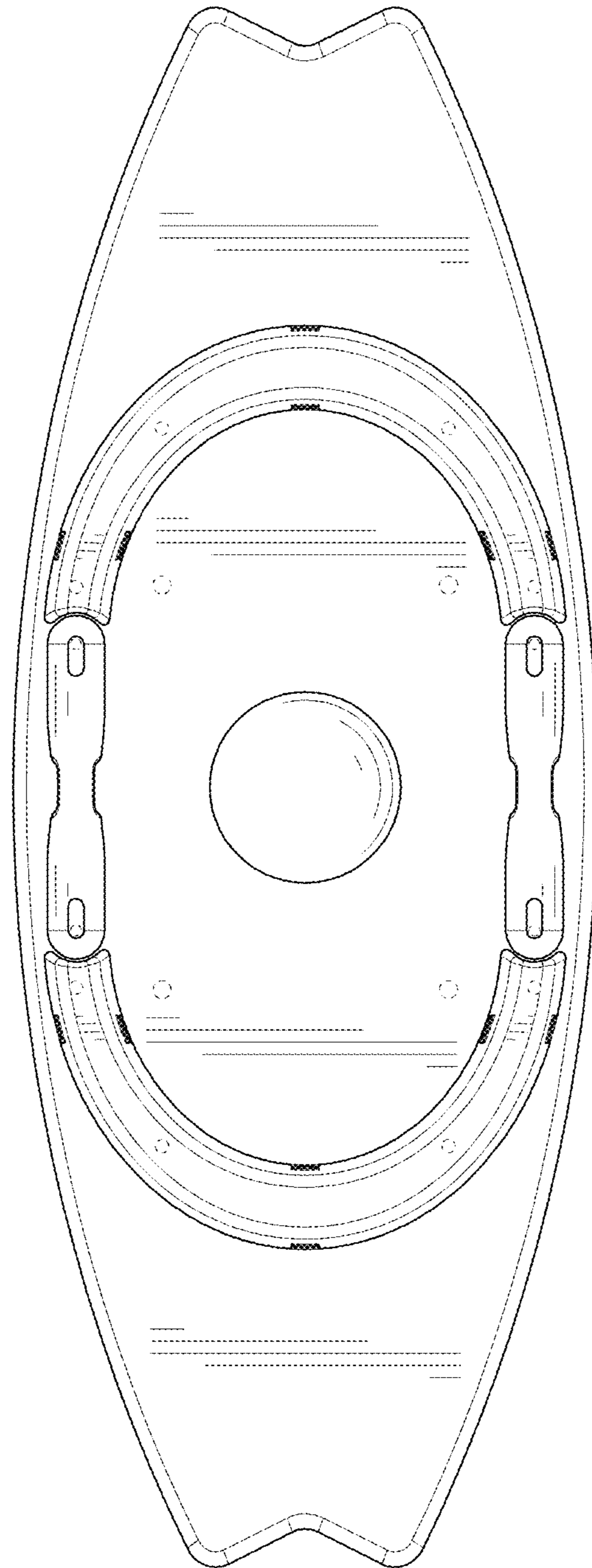


FIG. 3

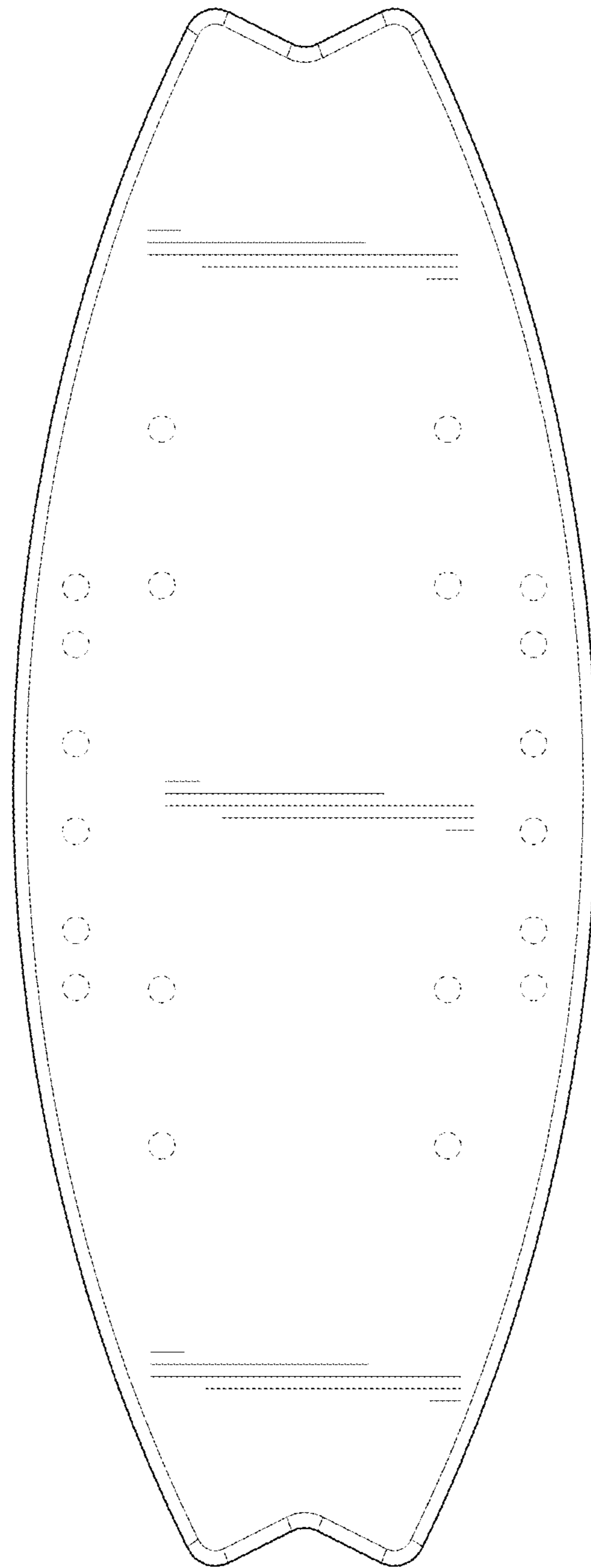


FIG. 4

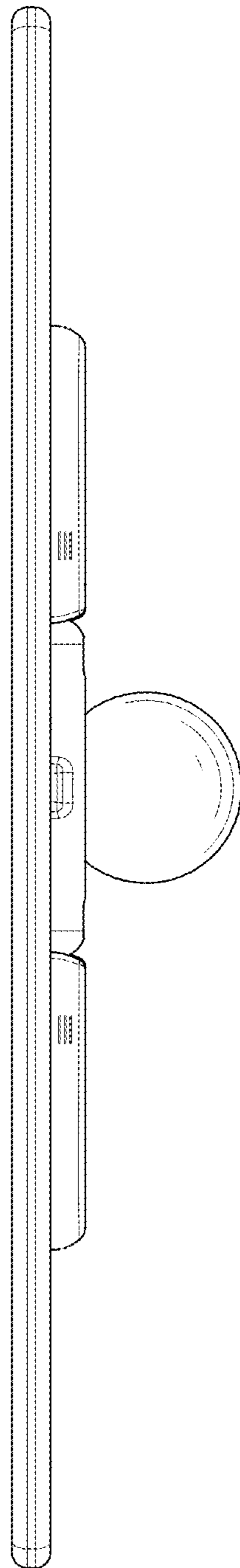


FIG. 5

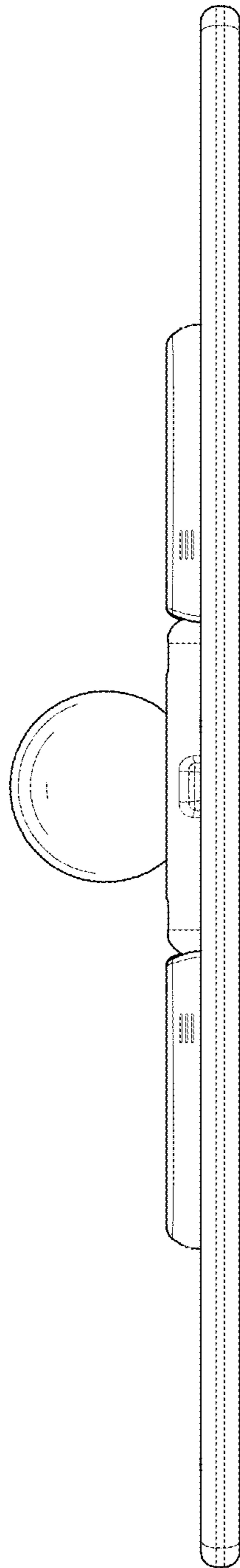


FIG. 6

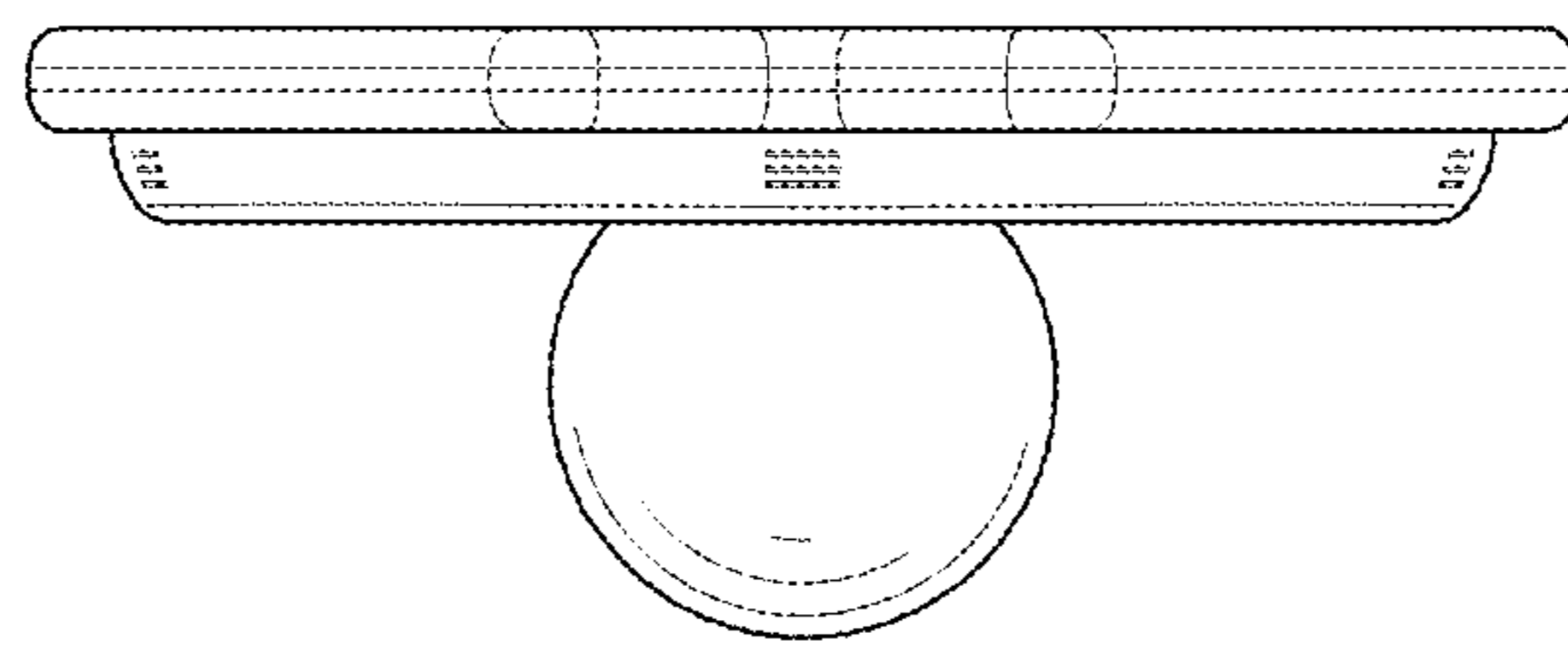


FIG. 7

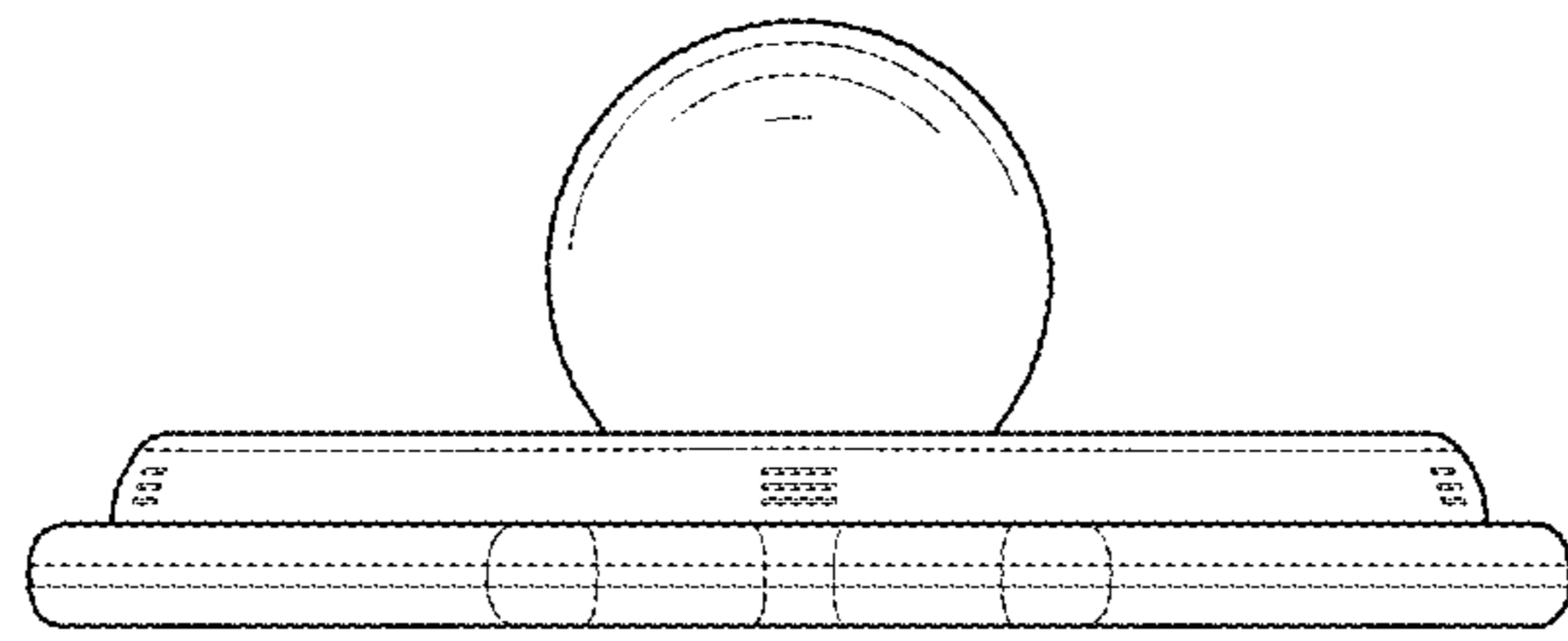


FIG. 8

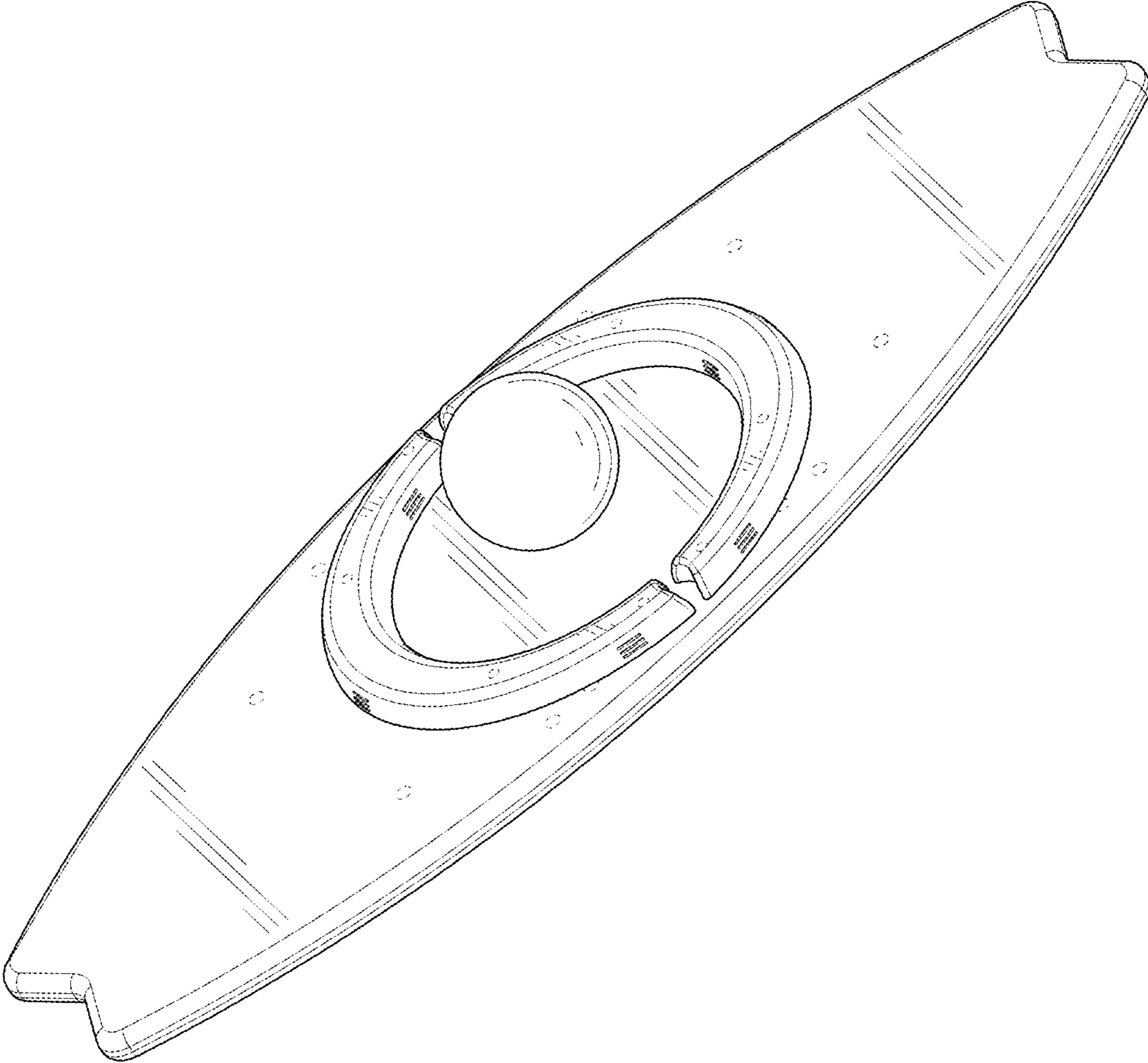


FIG. 9

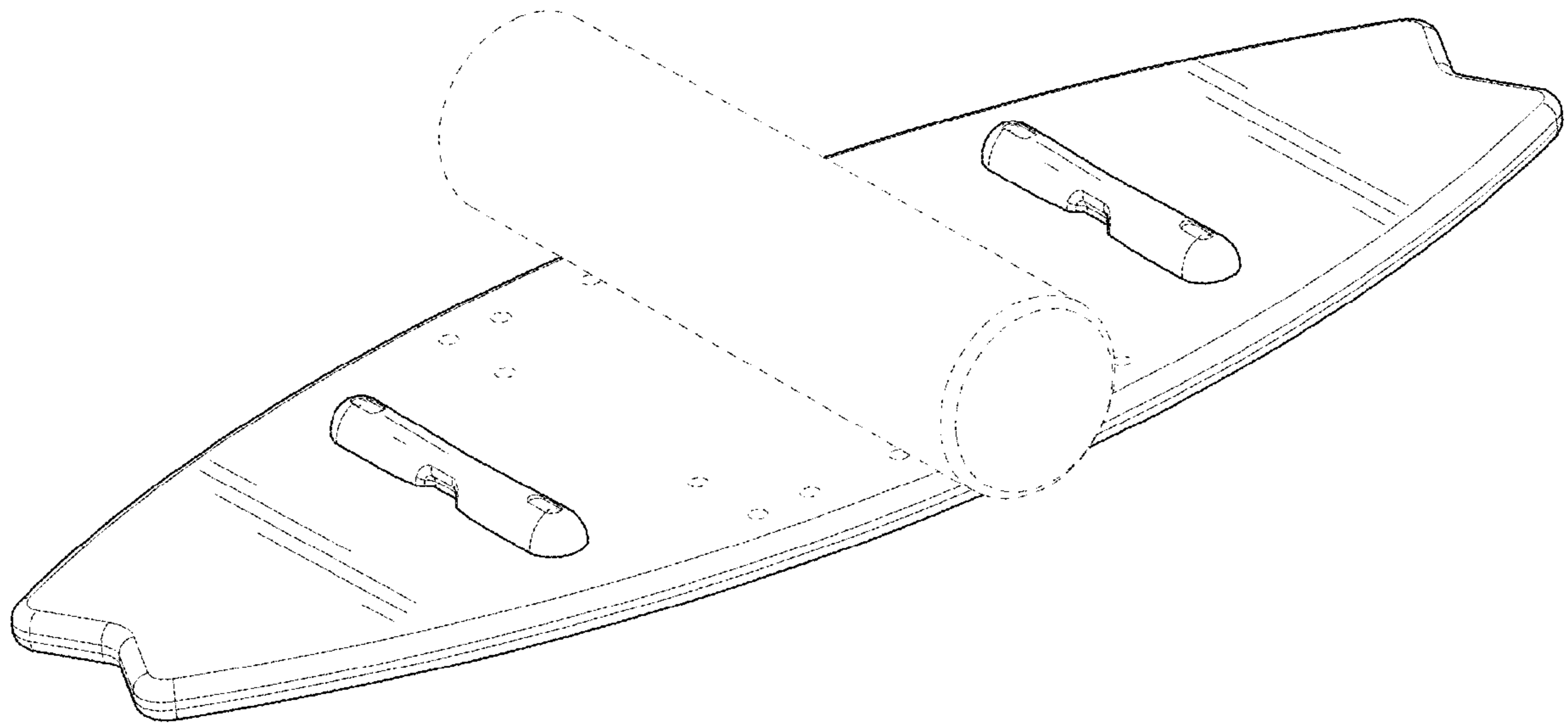


FIG. 10

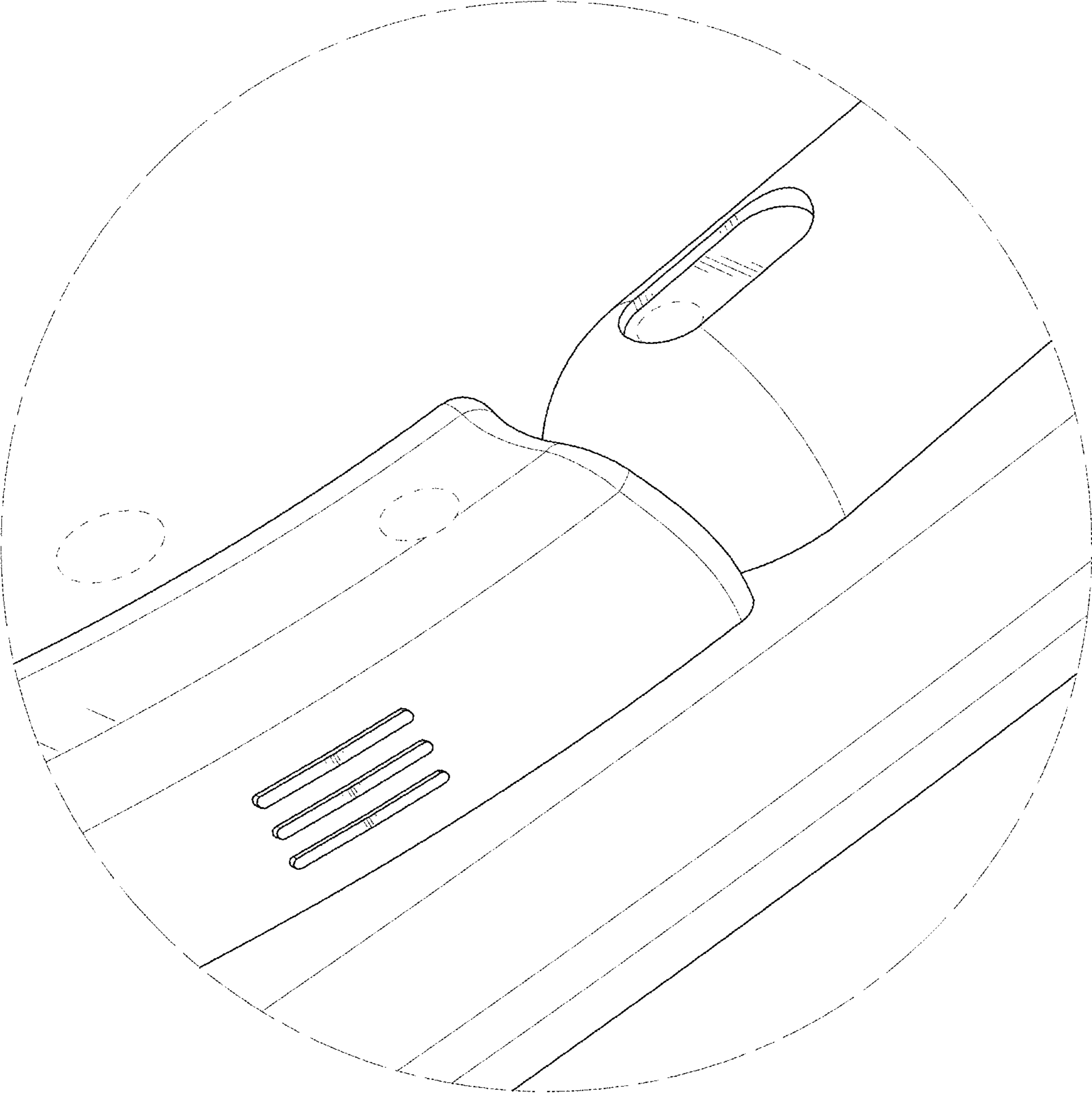


FIG. 11