



US00D970655S

(12) **United States Design Patent** (10) **Patent No.:** **US D970,655 S**
Jones (45) **Date of Patent:** **** Nov. 22, 2022**

(54) **HANDLE FOR AN ABDOMINAL EXERCISE DEVICE**

(71) Applicant: **Coulter Ventures, LLC.**, Columbus, OH (US)

(72) Inventor: **Dylan Jones**, Santa Barbara, CA (US)

(73) Assignee: **Coulter Ventures, LLC.**, Columbus, OH (US)

(**) Term: **15 Years**

(21) Appl. No.: **29/757,118**

(22) Filed: **Nov. 3, 2020**

(51) **LOC (13) Cl.** **21-02**

(52) **U.S. Cl.**
USPC **D21/686**

(58) **Field of Classification Search**
USPC D21/662, 694, 692, 679, 680, 684, 686,
D21/682; D24/200, 211; D12/209
See application file for complete search history.

(56) **References Cited**

U.S. PATENT DOCUMENTS

D448,851 S *	10/2001	Louis	D24/214
D538,360 S *	3/2007	Beaupre	D21/684
D617,401 S *	6/2010	Kulka	D21/692
7,837,603 B1 *	11/2010	Carnell, Sr.	A63B 21/0004 482/140
D815,217 S *	4/2018	Miller	D21/662
2004/0067826 A1 *	4/2004	Elledge	A63B 21/075 482/141
2013/0017936 A1 *	1/2013	Olson	A63B 21/4049 482/132
2016/0074689 A1 *	3/2016	Anderson	A63B 21/00069 482/127

OTHER PUBLICATIONS

Decathlon, announced 2019[online], [site visited Feb. 4, 2022]. Available on internet, URL:<https://www.youtube.com/watch?v=giFRyoK1ioE> (Year: 2019).*

Snode store, announced 2018[online], [site visited Feb. 4, 2022]. Available on internet, URL:<https://www.amazon.com/SNODE-Abdominal-Exercise-Equipment-Intelligent/dp/B07H1DY3ZR/ref> (Year: 2018).*

Readaer store, announced 2018[online], [site visited Feb. 4, 2022]. Available on internet, URL:<https://www.amazon.com/Readaer-Abdominal-Exercise-Fitness-Equipment/dp/B07HRFXXWC/ref> (Year: 2018).*

Product listing for Ab Wheel; from <http://web.archive.org/web/20190828215537/https://www.roguefitness.com/ab-wheel>; dated Dec. 20, 2015, accessed Jun. 28, 2021.

* cited by examiner

Primary Examiner — Khawaja Anwar

Assistant Examiner — Julice Seung Eun Oum

(74) *Attorney, Agent, or Firm* — Banner & Witcoff, Ltd.

(57) **CLAIM**

The ornamental design for a handle for an abdominal exercise device, as shown and described.

DESCRIPTION

FIG. 1 is a top, front, right perspective view of a handle for an abdominal exercise device showing my new design;

FIG. 2 is a front view thereof;

FIG. 3 is a rear view thereof;

FIG. 4 is a left side view thereof;

FIG. 5 is a right view thereof;

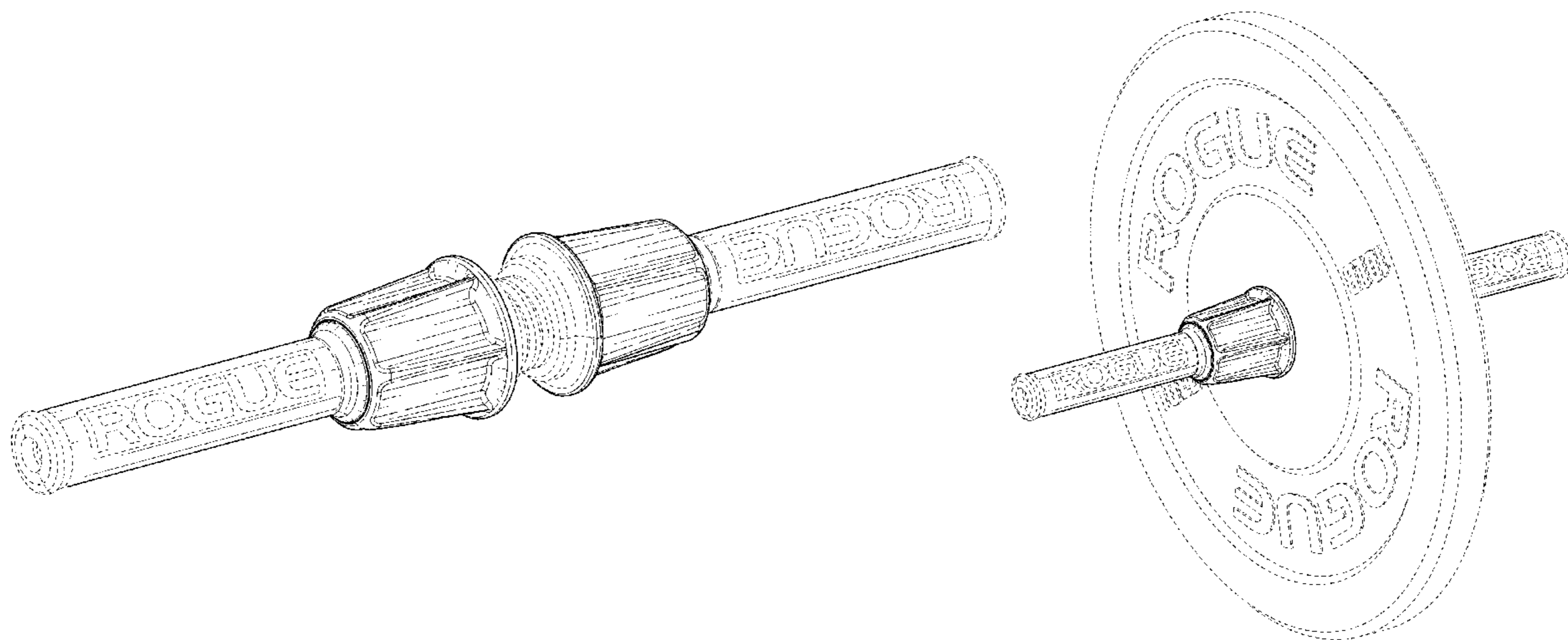
FIG. 6 is a bottom view thereof;

FIG. 7 is a top view thereof; and,

FIG. 8 is a top, front, right perspective view thereof, with a weight plate shown as example environment.

The broken lines immediately adjacent to the shaded areas define the bounds of the claimed design and form no part thereof. The broken lines depicting the remainder of the article show features that form no part of the claimed design. The broken lines depicting the example environment in FIG. 8 form no part of the claimed design.

1 Claim, 5 Drawing Sheets



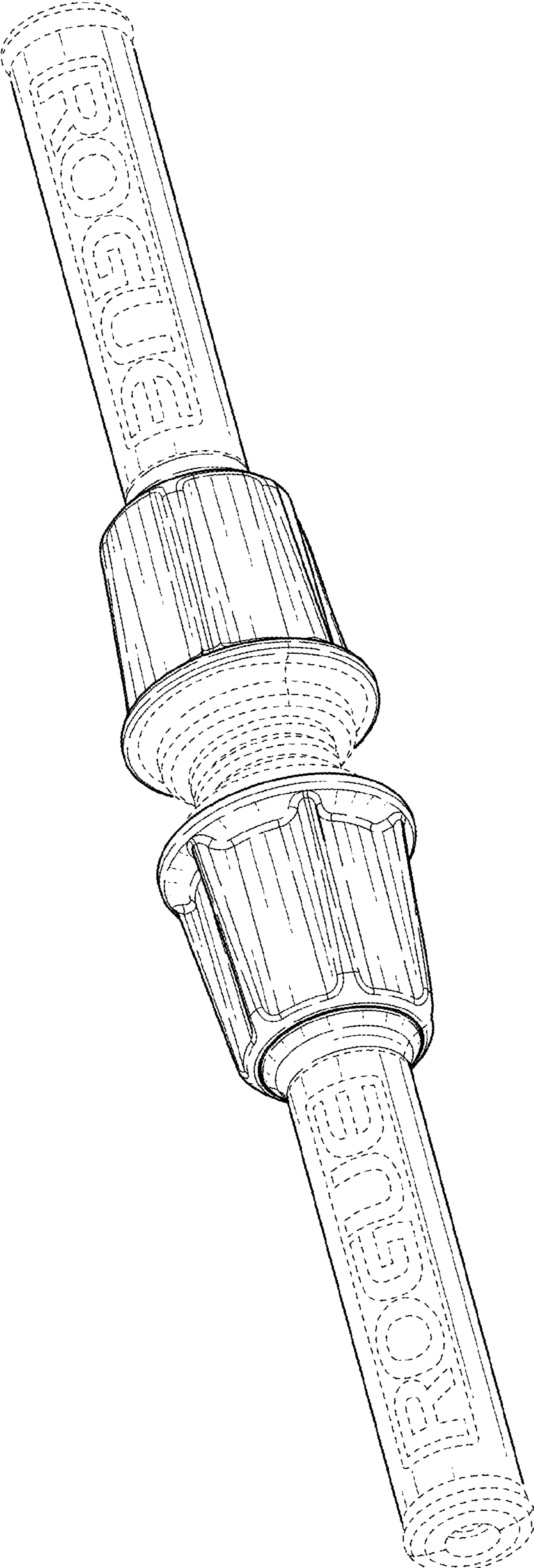


FIG. 1

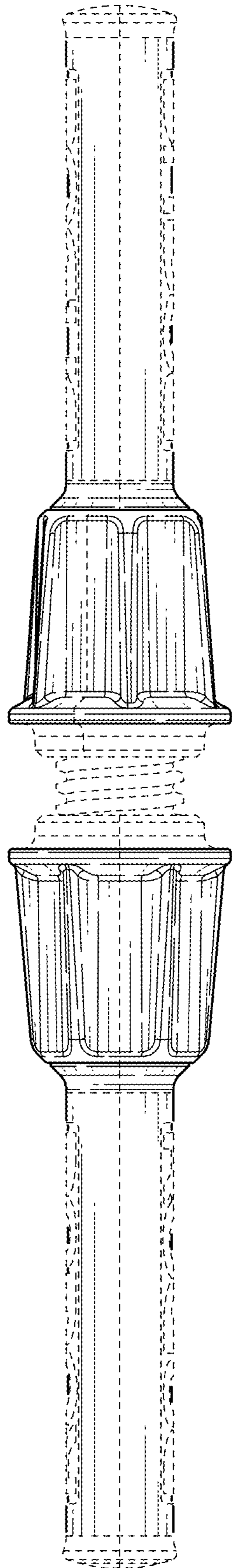


FIG. 2

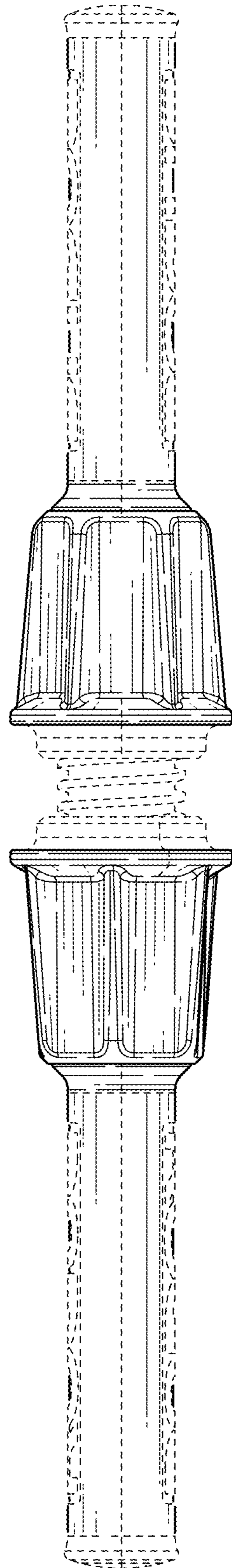


FIG. 3

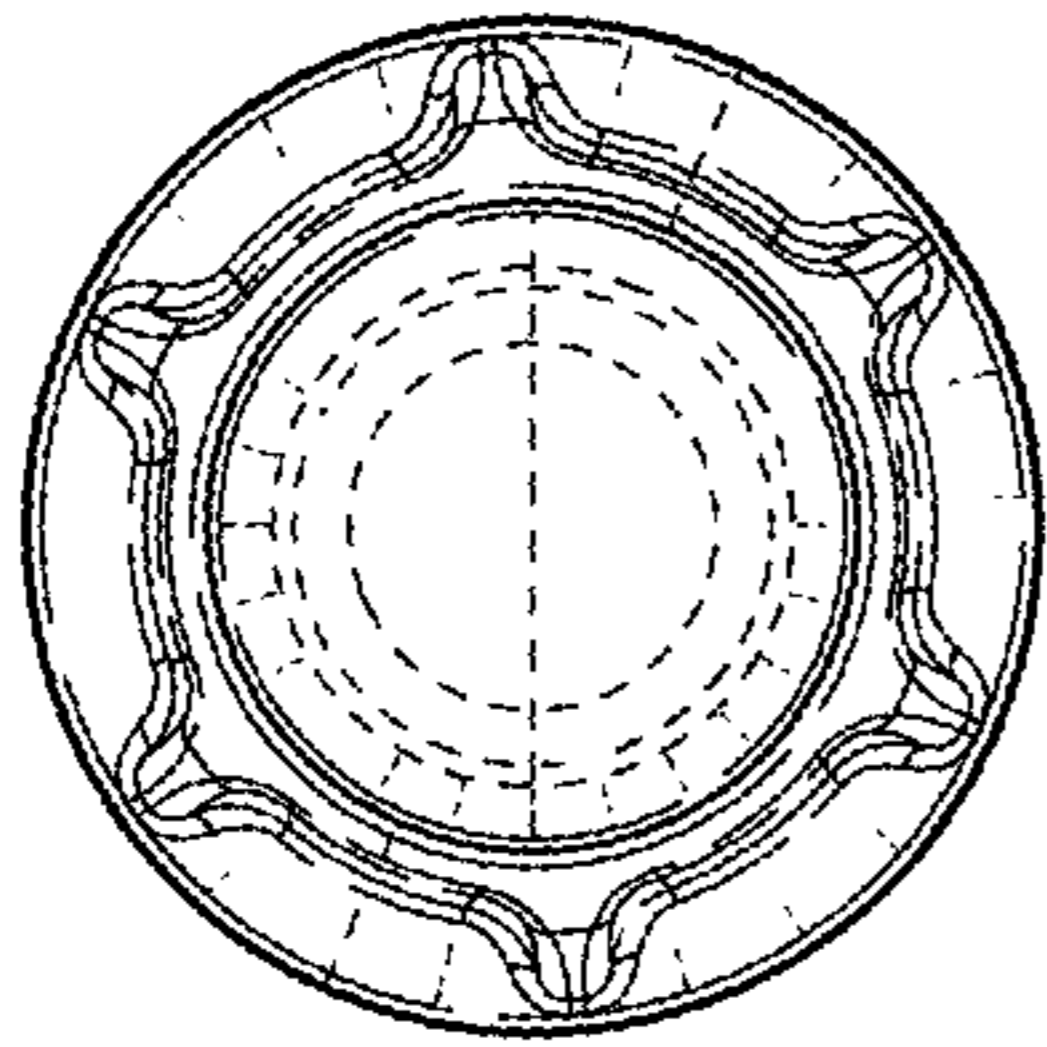


FIG. 4

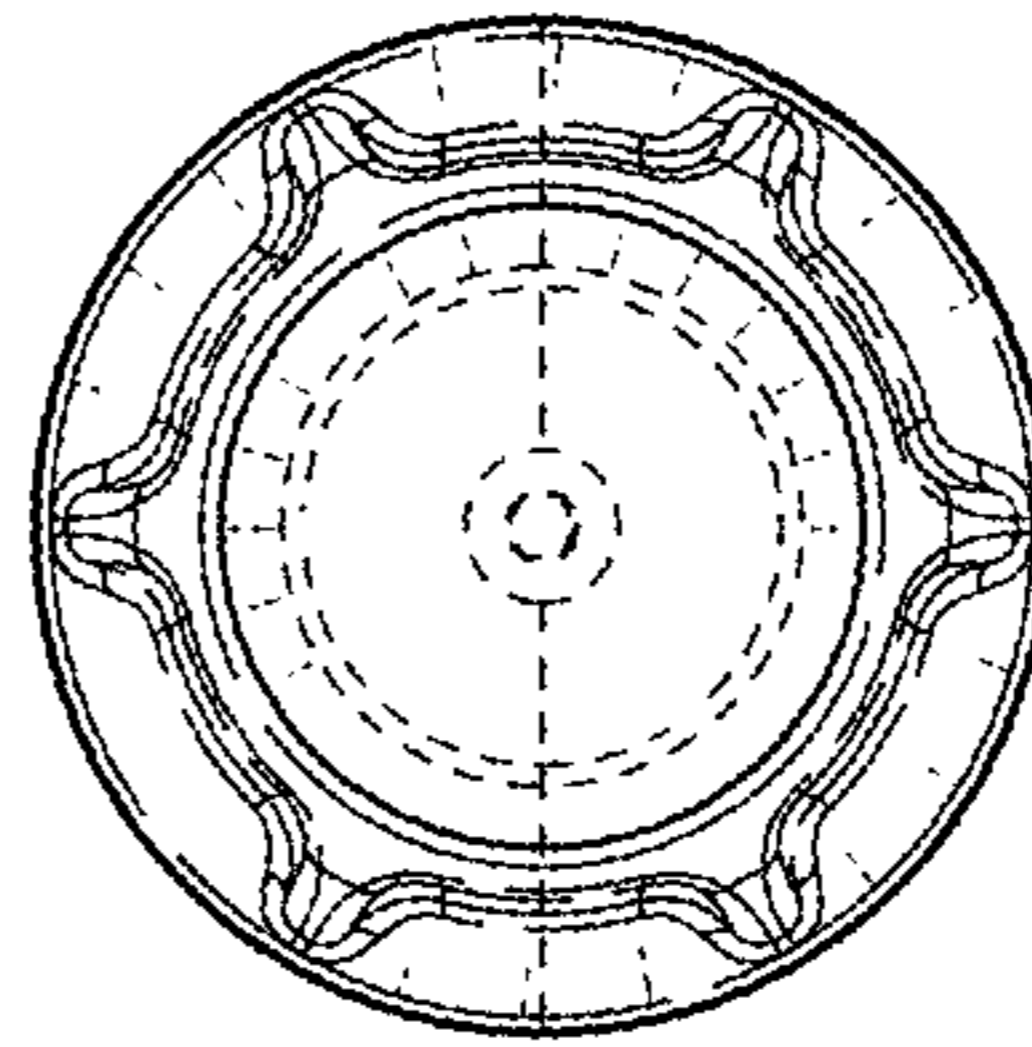


FIG. 5

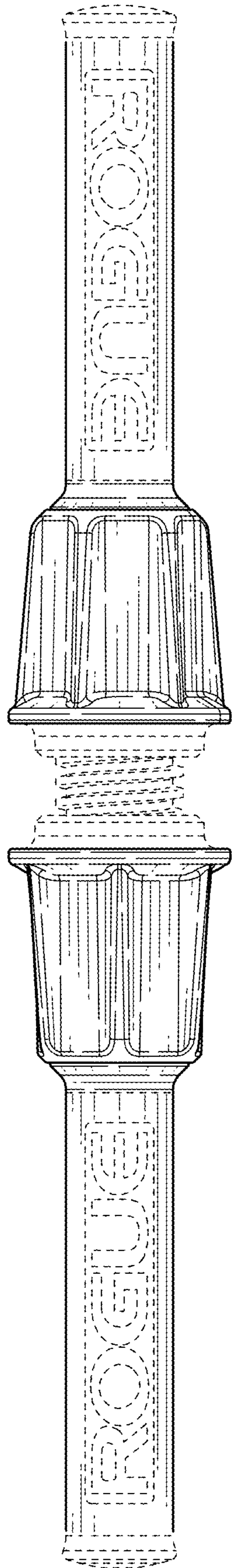


FIG. 6

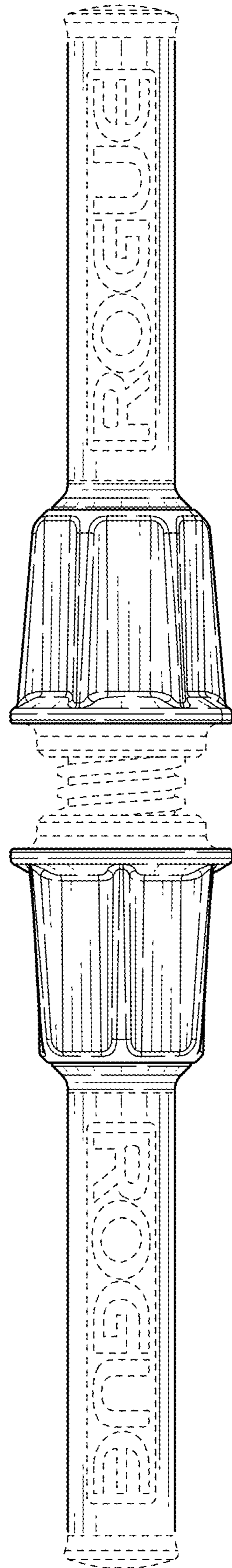


FIG. 7

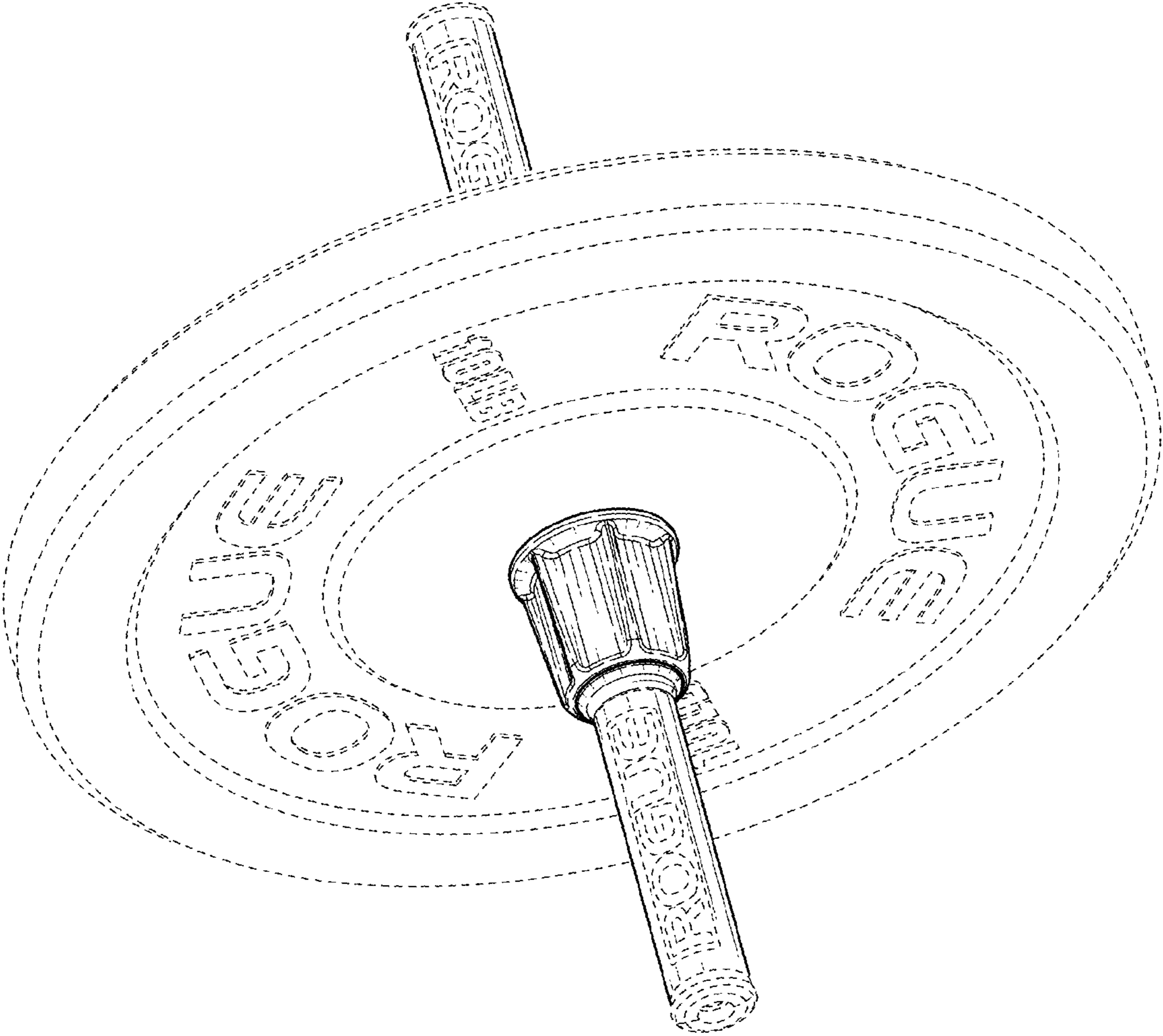


FIG. 8