



US00D970652S

(12) **United States Design Patent**  
**Long**

(10) **Patent No.:** **US D970,652 S**

(45) **Date of Patent:** **\*\* Nov. 22, 2022**

(54) **LED FACE MASK**

(71) Applicant: **Chengzhong Long**, Chongzuo (CN)

(72) Inventor: **Chengzhong Long**, Chongzuo (CN)

(\*\*) Term: **15 Years**

(21) Appl. No.: **29/817,528**

(22) Filed: **Dec. 2, 2021**

(51) **LOC (13) Cl.** ..... **02-02**

(52) **U.S. Cl.**  
USPC ..... **D21/660; D24/209**

(58) **Field of Classification Search**  
USPC ..... D24/110.2, 200, 209, 210, 214; D28/9;  
D29/108, 110; D16/301; D2/741;  
D21/660  
CPC .... A61N 5/062; A61N 5/0616; A61N 5/0618;  
A61N 2005/0642; A61N 2005/0644;  
A61N 2005/0645; A61N 2005/0647;  
A61N 2005/0654; A61N 2005/0659;  
A61N 2005/066; A61N 2005/0661; A61N  
2005/0662; A41G 7/00  
See application file for complete search history.

(56) **References Cited**

**U.S. PATENT DOCUMENTS**

2,249,734	A *	7/1941	Tate	.....	A45D 44/12 2/206
3,103,667	A *	9/1963	Rogowski	.....	A61F 9/02 2/9
3,295,143	A *	1/1967	Hoffman	.....	A61F 9/02 2/9
D223,737	S *	5/1972	Smith	.....	2/9
D247,449	S *	3/1978	Hannon	.....	D29/108
D248,674	S *	7/1978	Hannon	.....	D28/9
D256,396	S *	8/1980	Fellhauer	.....	D29/110
D304,869	S *	11/1989	Mattox	.....	D24/110.2
D308,582	S *	6/1990	Salce	.....	D29/110
D311,601	S *	10/1990	Olivier	.....	D29/110
D320,478	S *	10/1991	Metcalf	.....	D29/110
D349,362	S *	8/1994	Russell	.....	A41D 13/1184 D29/110

(Continued)

**OTHER PUBLICATIONS**

LED Mask Editable, [site visited Sep. 6, 2022]. Available from Internet. URL: [https://www.amazon.com/Editable-Rechargeable-Bluetooth-Halloween-Christmas/dp/B09B6TC3R9/ref=sxin\\_36\\_pa\\_sp\\_search\\_thematic\\_sspa?cont...](https://www.amazon.com/Editable-Rechargeable-Bluetooth-Halloween-Christmas/dp/B09B6TC3R9/ref=sxin_36_pa_sp_search_thematic_sspa?cont...) Jul. 26, 2021 (Year: 2021).\*

(Continued)

*Primary Examiner* — T Chase Nelson

*Assistant Examiner* — Kelly L Gross

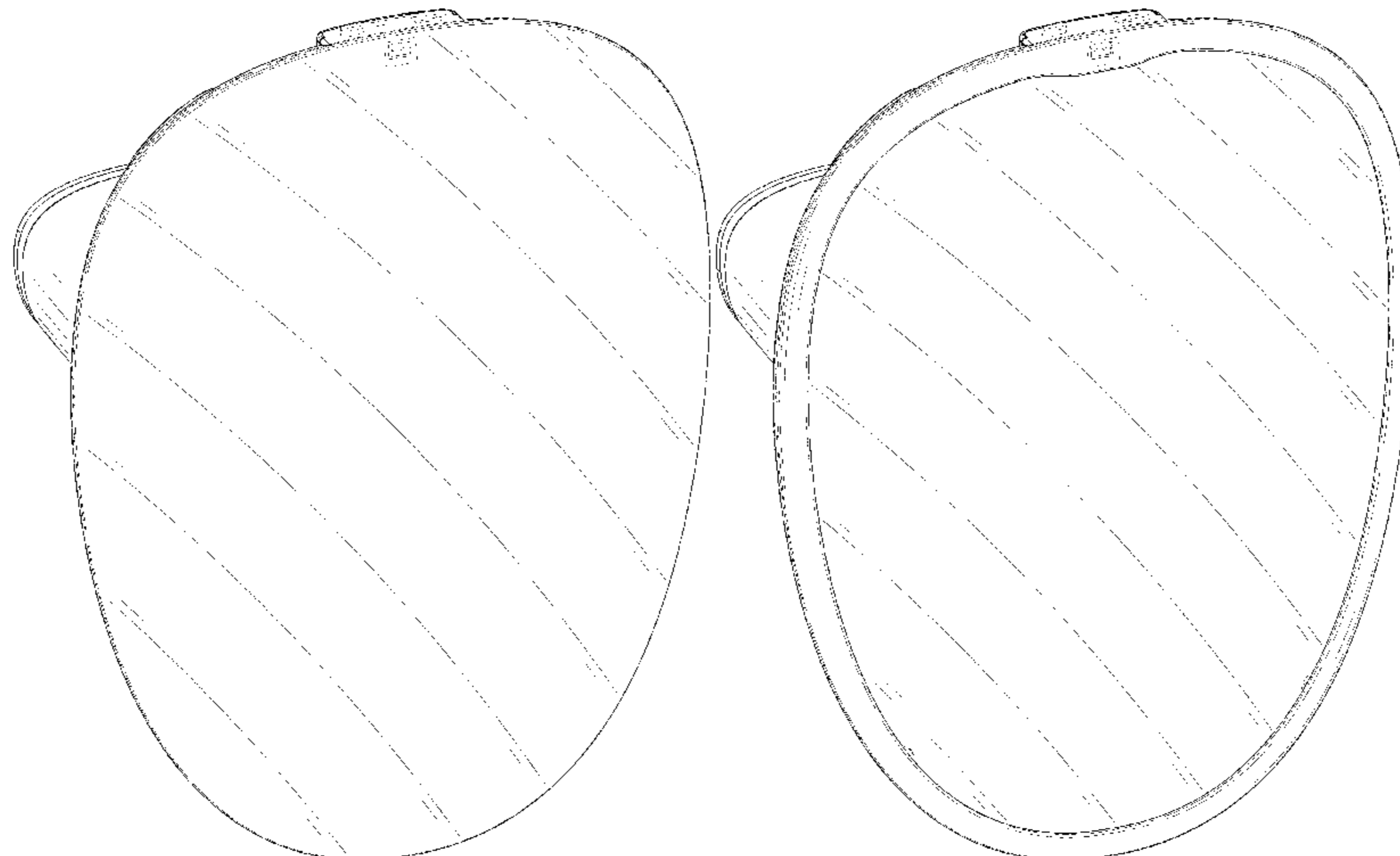
(57) **CLAIM**

The ornamental design for an LED face mask, as shown and described.

**DESCRIPTION**

FIG. 1 is a perspective view of first embodiment of an LED face mask showing my new design;  
FIG. 2 is another perspective view thereof;  
FIG. 3 is a front elevational view thereof;  
FIG. 4 is a rear elevational view thereof;  
FIG. 5 is a left side elevational view thereof;  
FIG. 6 is a right side elevational view thereof;  
FIG. 7 is a top plan view thereof;  
FIG. 8 is a bottom plan view thereof;  
FIG. 9 is a perspective view of a second embodiment of the LED face mask;  
FIG. 10 is another perspective view thereof;  
FIG. 11 is a front elevational view thereof;  
FIG. 12 is a rear elevational view thereof;  
FIG. 13 is a left side elevational view thereof;  
FIG. 14 is a right side elevational view thereof;  
FIG. 15 is a top plan view thereof; and,  
FIG. 16 is a bottom plan view thereof.  
The broken lines in the drawings depict portions of the LED face mask that form no part of the claimed design.

**1 Claim, 16 Drawing Sheets**



(56)

References Cited

U.S. PATENT DOCUMENTS

D354,589 S \* 1/1995 Russell ..... A41D 13/1184  
D29/110  
D358,685 S \* 5/1995 Rounder ..... D29/108  
D376,873 S \* 12/1996 Bronzini ..... D29/108  
5,913,883 A \* 6/1999 Alexander ..... A61N 5/0616  
D24/231  
D416,649 S \* 11/1999 Burns ..... D29/110  
D426,298 S \* 6/2000 Grannis ..... D24/110.2  
D473,316 S \* 4/2003 Chou ..... D24/213  
D503,498 S \* 3/2005 Canavan ..... D29/110  
D711,008 S \* 8/2014 Park ..... D24/209  
D745,694 S \* 12/2015 Tapper ..... D24/209  
D745,695 S \* 12/2015 Tapper ..... D24/209  
D755,952 S \* 5/2016 Klockseth ..... D24/110.2  
D790,723 S \* 6/2017 Kennedy ..... D24/209  
D844,301 S 4/2019 Greenblat  
D891,629 S \* 7/2020 Vetu ..... D24/209  
D894,412 S \* 8/2020 Kim ..... A41D 13/1184  
D24/209  
D894,413 S \* 8/2020 Kim ..... D24/209  
D895,214 S \* 9/2020 Sanders ..... D29/110  
D901,029 S \* 11/2020 Song ..... D24/209  
D907,226 S \* 1/2021 Park ..... D24/209  
D909,674 S \* 2/2021 Xiong ..... A61F 9/02  
D24/209  
D912,240 S 3/2021 Butler et al.  
D919,826 S \* 5/2021 Park ..... D24/209  
D919,827 S \* 5/2021 Lee ..... A61F 9/02  
D24/209  
D920,529 S \* 5/2021 Liu ..... A45D 44/12  
D24/209  
D933,843 S \* 10/2021 Lee ..... A61N 5/0616  
D24/209  
D936,294 S \* 11/2021 Peterson-Fikes ..... D29/110  
D941,480 S \* 1/2022 Kim ..... A61N 5/0616  
D24/209  
D941,481 S \* 1/2022 Kim ..... A61N 5/0616  
D24/209  
D948,798 S \* 4/2022 Owen ..... D29/110  
D949,357 S \* 4/2022 Yao ..... A61N 5/0616  
D24/209  
D949,485 S \* 4/2022 Wu ..... D29/110  
D952,952 S \* 5/2022 Hallman ..... D29/110  
D953,698 S \* 6/2022 Zhou ..... D21/660

D962,459 \* 8/2022 Wang ..... A61N 5/0617  
D24/209  
D963,249 \* 9/2022 Wang ..... D21/660  
D963,951 \* 9/2022 Franklin ..... D29/108  
2007/0135869 A1 \* 6/2007 Chen ..... A61N 5/0616  
607/88  
2009/0312822 A1 \* 12/2009 Besner ..... A61N 5/06  
607/100  
2010/0234927 A1 \* 9/2010 Lin ..... A61N 5/0616  
607/91  
2013/0066404 A1 \* 3/2013 Tapper ..... A61F 9/045  
607/90  
2014/0350643 A1 \* 11/2014 Pepitone ..... A61N 5/0617  
607/91  
2015/0134033 A1 \* 5/2015 Tapper ..... A61N 5/0616  
607/90  
2016/0038763 A1 \* 2/2016 Tapper ..... A61N 5/0616  
607/88  
2016/0045759 A1 \* 2/2016 Tapper ..... A61N 5/0616  
607/90  
2016/0045760 A1 \* 2/2016 Tapper ..... A61N 5/0616  
607/90  
2016/0051835 A1 \* 2/2016 Tapper ..... A61N 5/0616  
607/90  
2016/0056653 A1 \* 2/2016 Tapper ..... H02J 7/00  
607/91  
2019/0099615 A1 \* 4/2019 Higgins ..... A61B 5/0082  
2021/0077825 A1 \* 3/2021 Jung ..... A61N 5/0616  
2021/0128940 A1 \* 5/2021 Saliterman ..... H05B 47/16  
2022/0152417 A1 \* 5/2022 Kim ..... A61N 5/0616  
2022/0219010 A1 \* 7/2022 Kim ..... G16H 40/67  
2022/0257971 A1 \* 8/2022 Kim ..... A61N 5/0616

OTHER PUBLICATIONS

LED Mask HD, [site visited Sep. 6, 2022]. Available from Internet.  
URL: [https://www.amazon.com/MEGOO-HD-WIFI-ShiningRGB-Programmable/dp/B0B4DPQ4T5/ref=sr\\_1\\_103?crid=2R95TR5QHL1KV&keywords=LED+f . . .](https://www.amazon.com/MEGOO-HD-WIFI-ShiningRGB-Programmable/dp/B0B4DPQ4T5/ref=sr_1_103?crid=2R95TR5QHL1KV&keywords=LED+f...) (Year: 2022).\*  
LED Mask with WiFi, [site visited Sep. 26, 2022]. Available from Internet. URL: [https://www.amazon.com/dp/B0B65T16ZZ/ref=sspa\\_dk\\_detail\\_1?ie=UTF8&psc=1&pd\\_rd\\_i=&pd\\_rd\\_i=B0B65T16ZZp13NParams&s=apparel&sp\\_csd=d2lkZ2V0TmFtZT1zcF9kZXRhaWwy](https://www.amazon.com/dp/B0B65T16ZZ/ref=sspa_dk_detail_1?ie=UTF8&psc=1&pd_rd_i=&pd_rd_i=B0B65T16ZZp13NParams&s=apparel&sp_csd=d2lkZ2V0TmFtZT1zcF9kZXRhaWwy) (Year: 2022).\*

\* cited by examiner

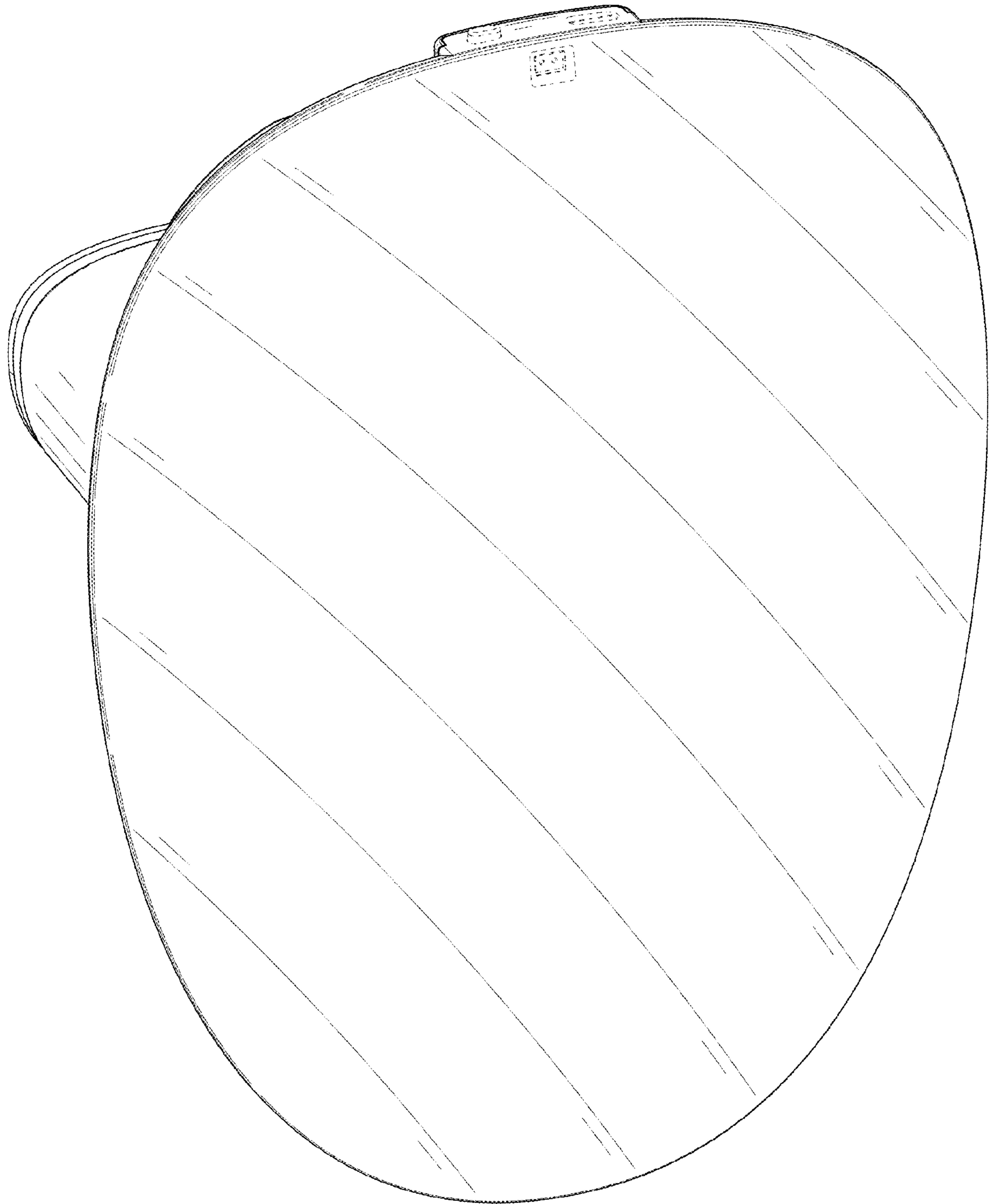


FIG. 1

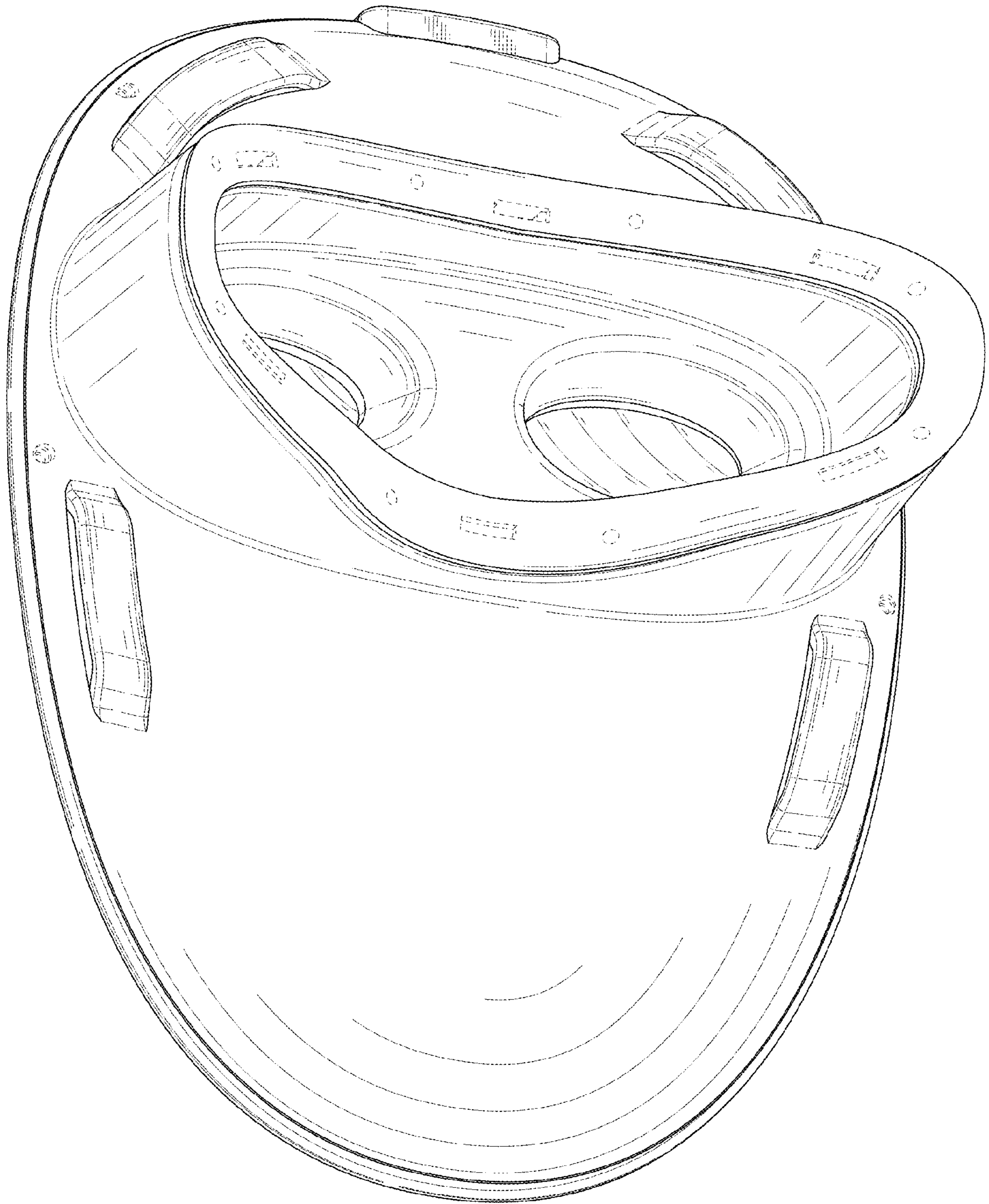


FIG. 2

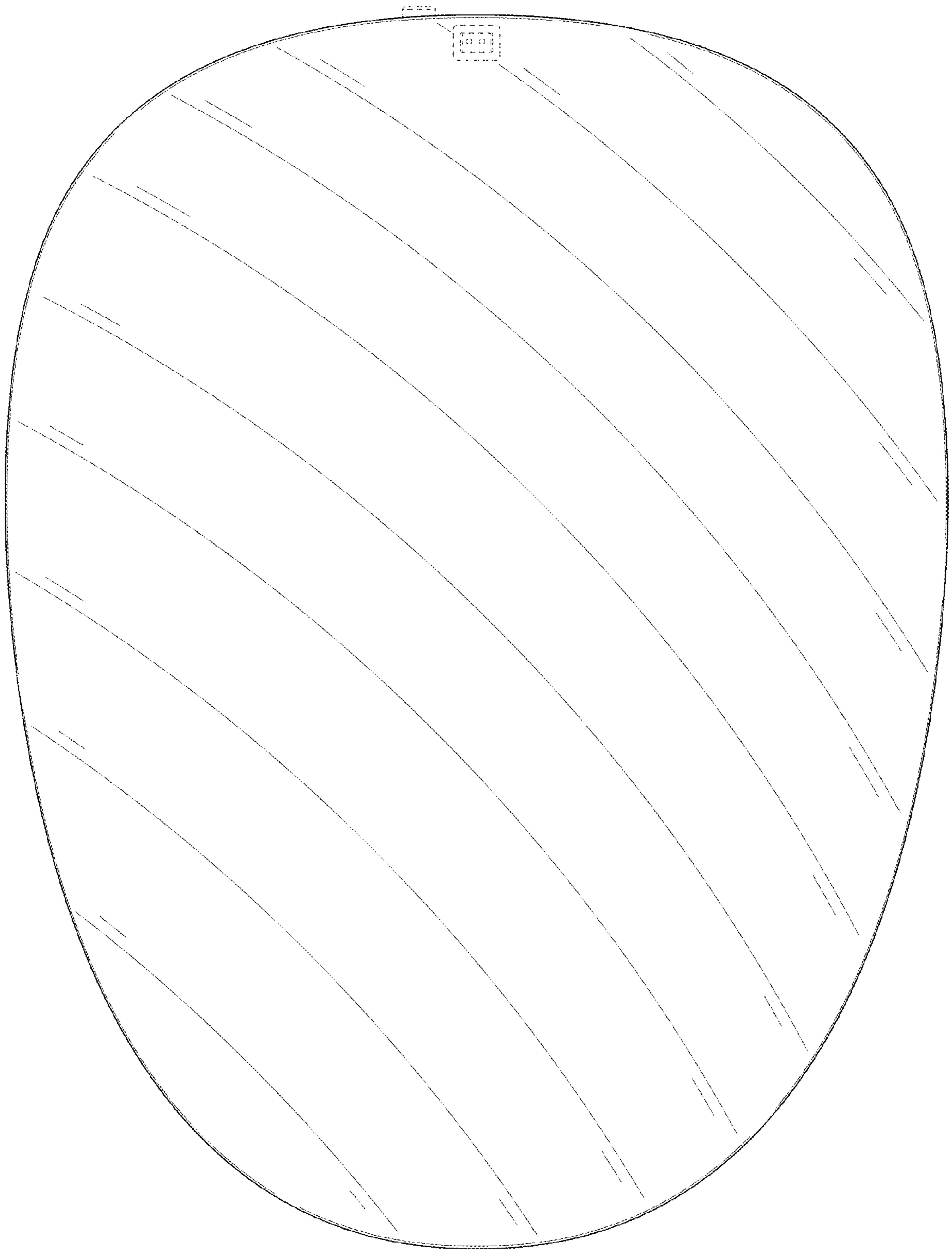


FIG. 3



FIG. 4

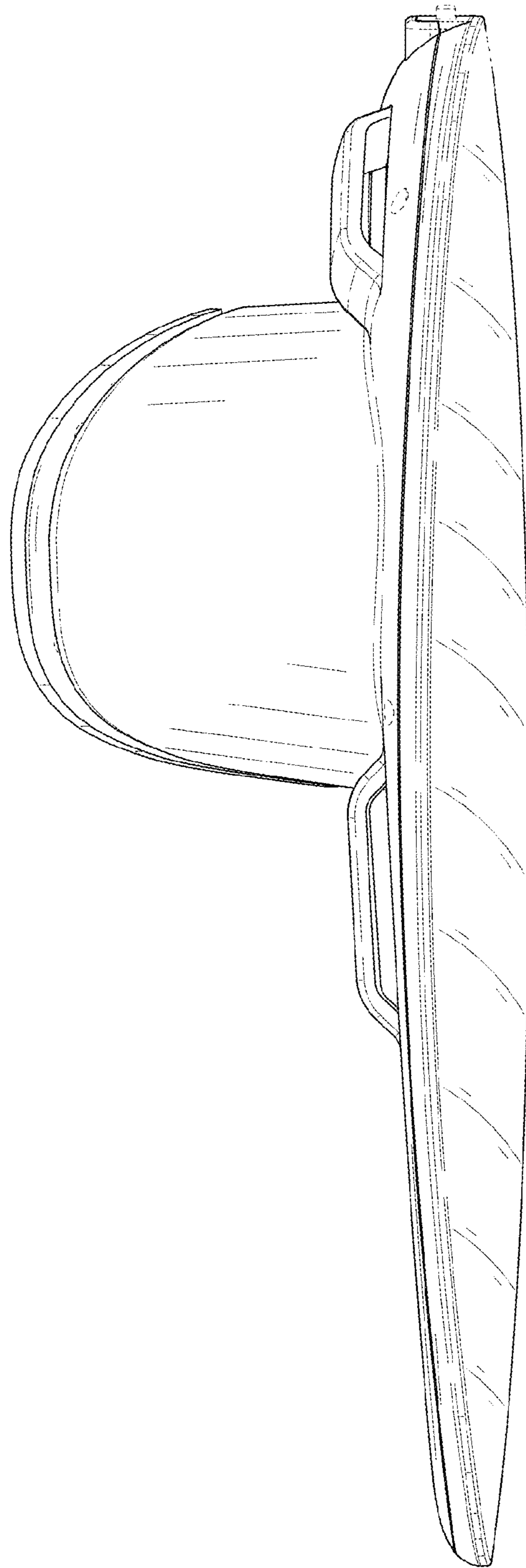


FIG. 5

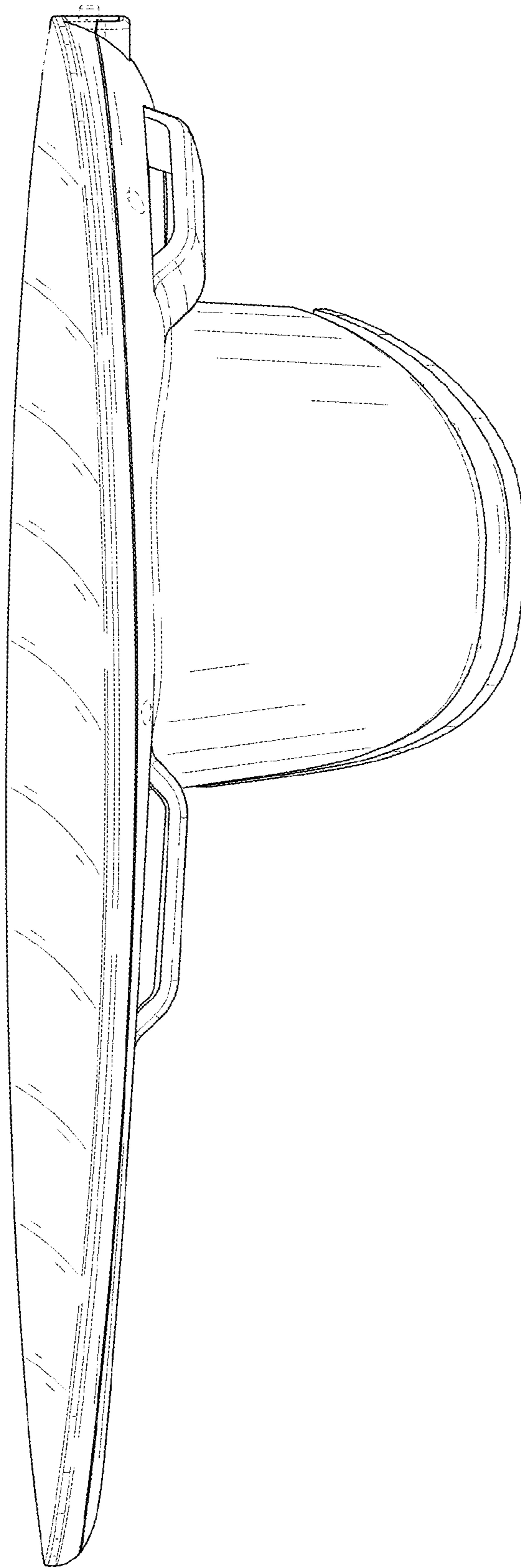


FIG. 6



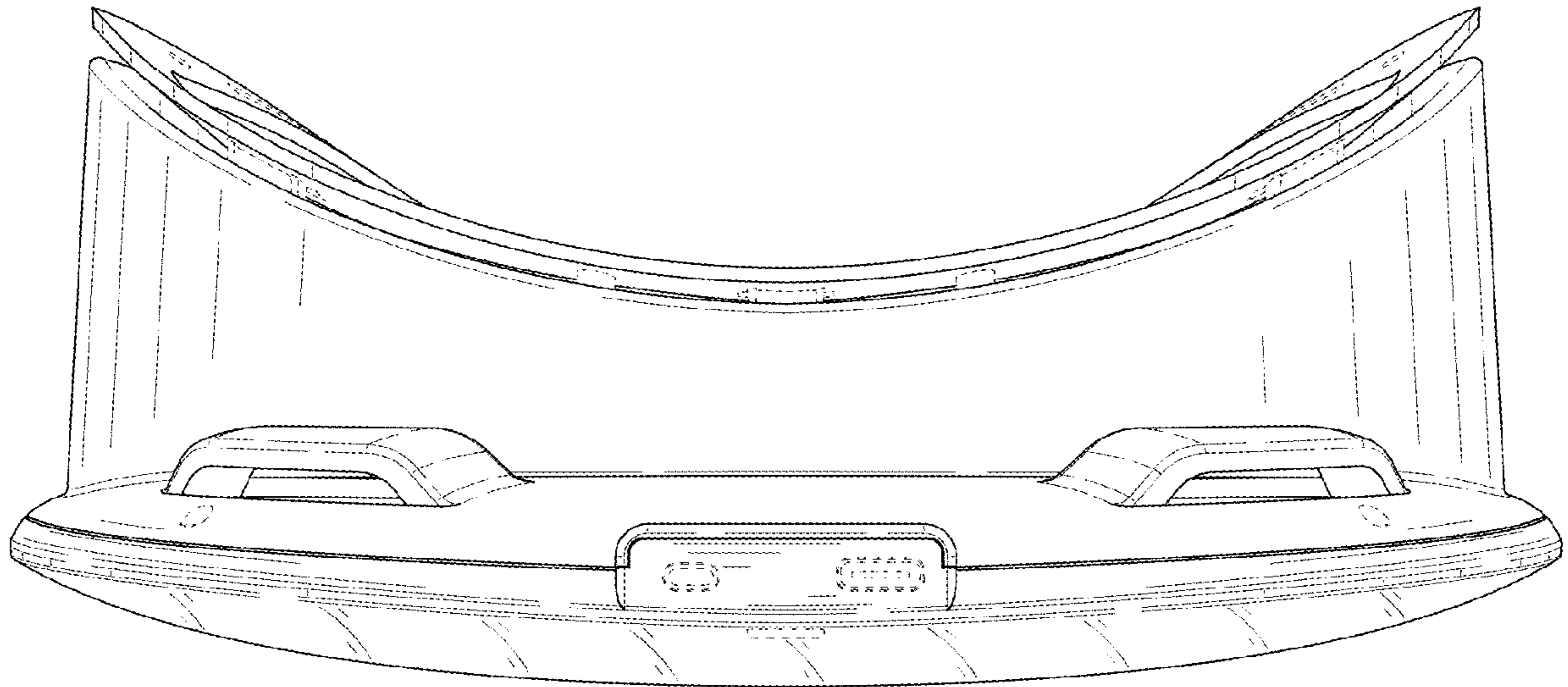


FIG. 7

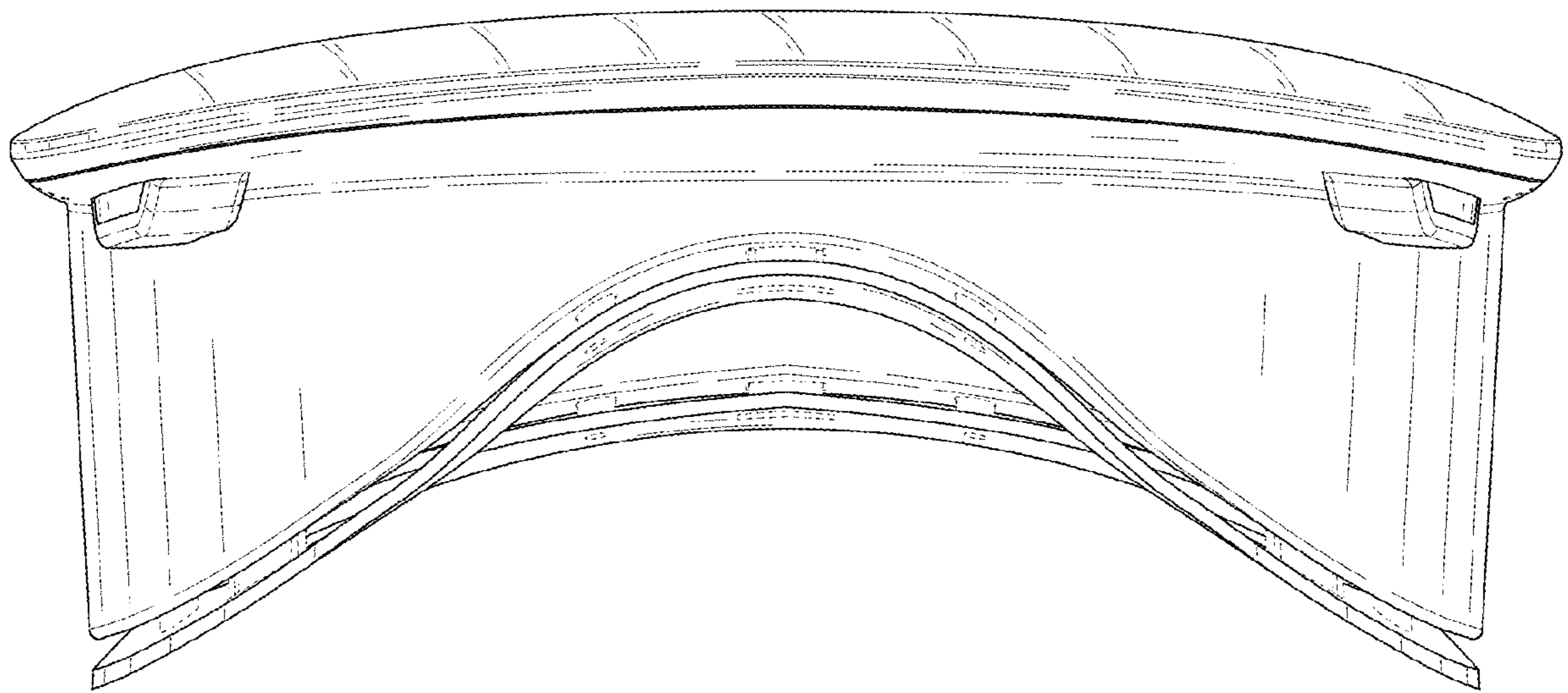


FIG. 8

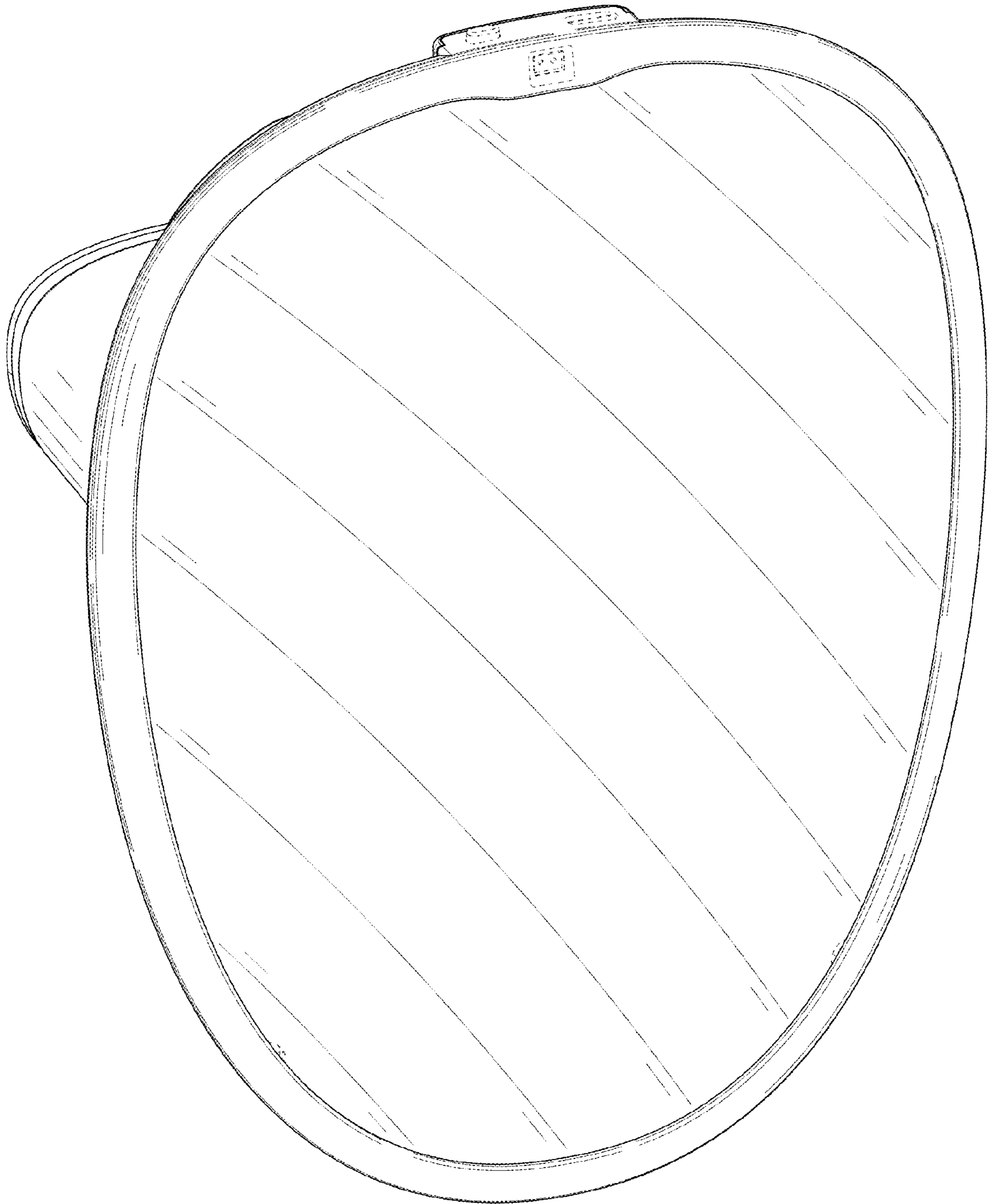


FIG. 9

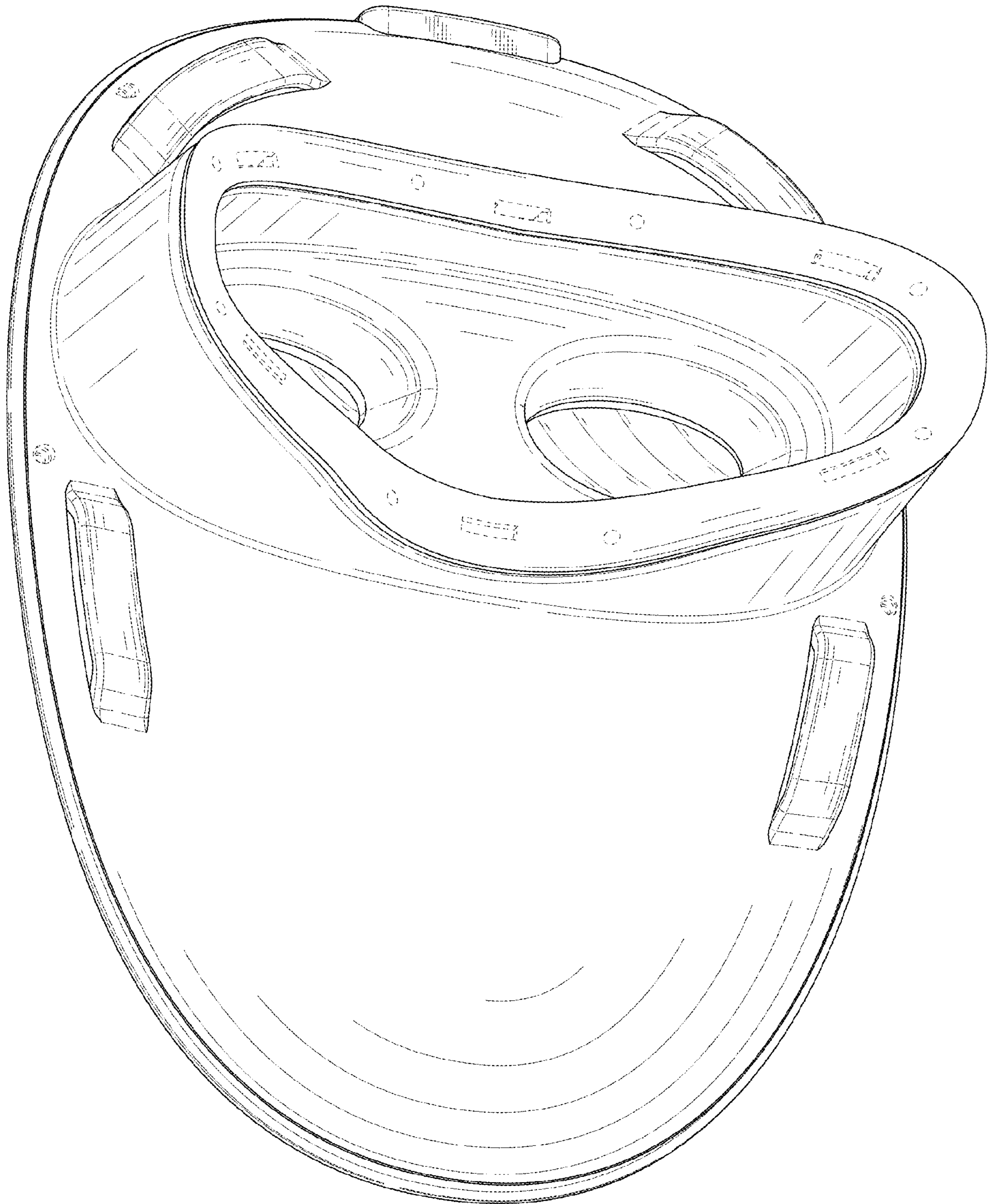


FIG. 10

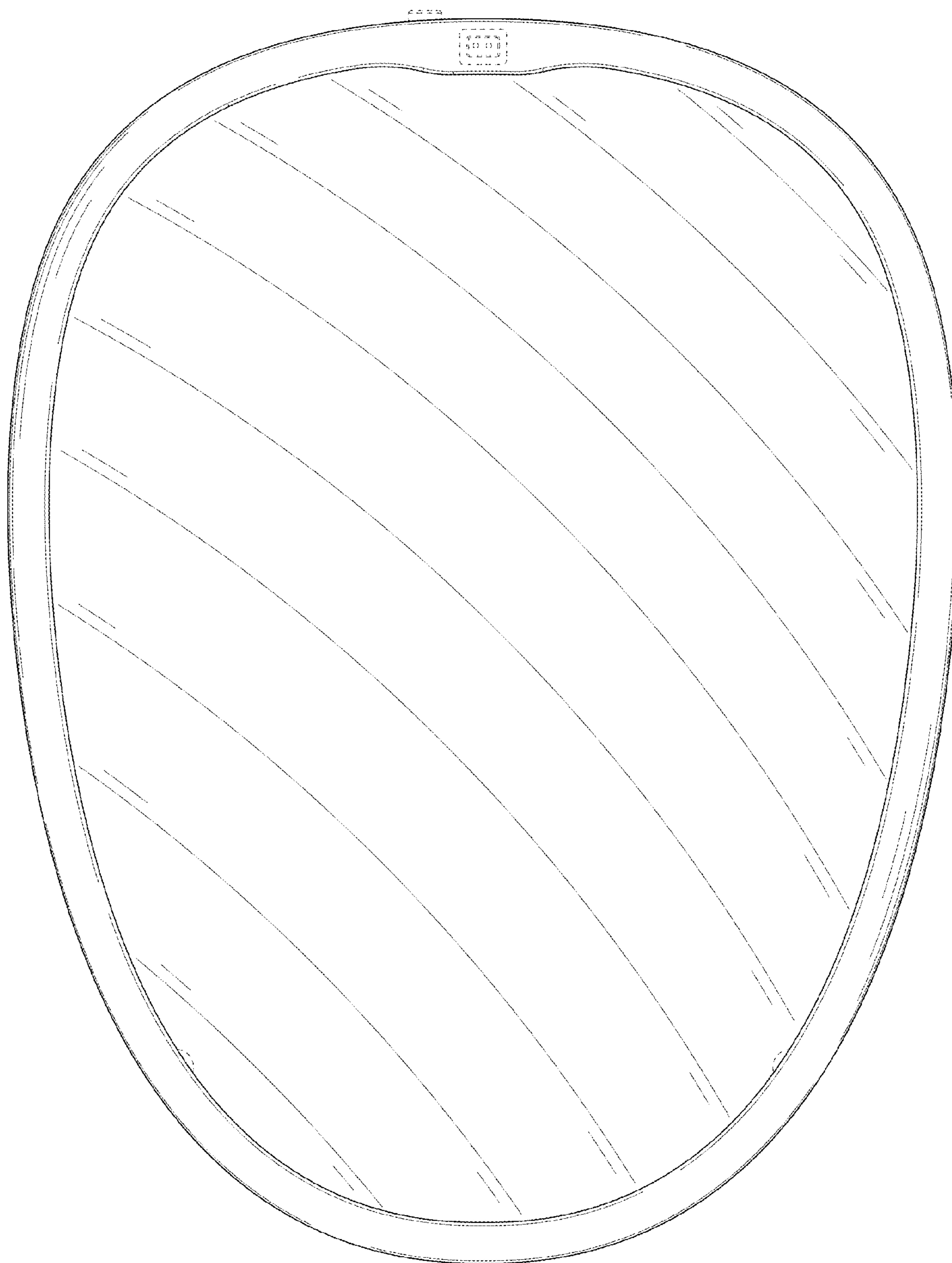


FIG. 11



FIG. 12

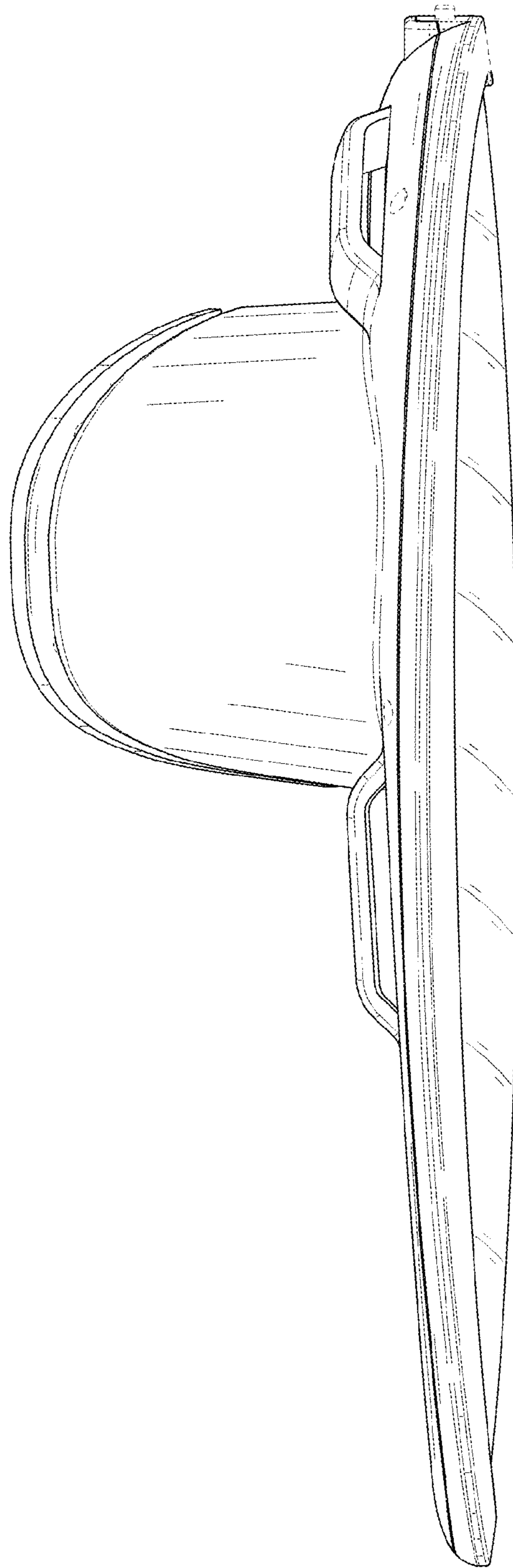


FIG. 13

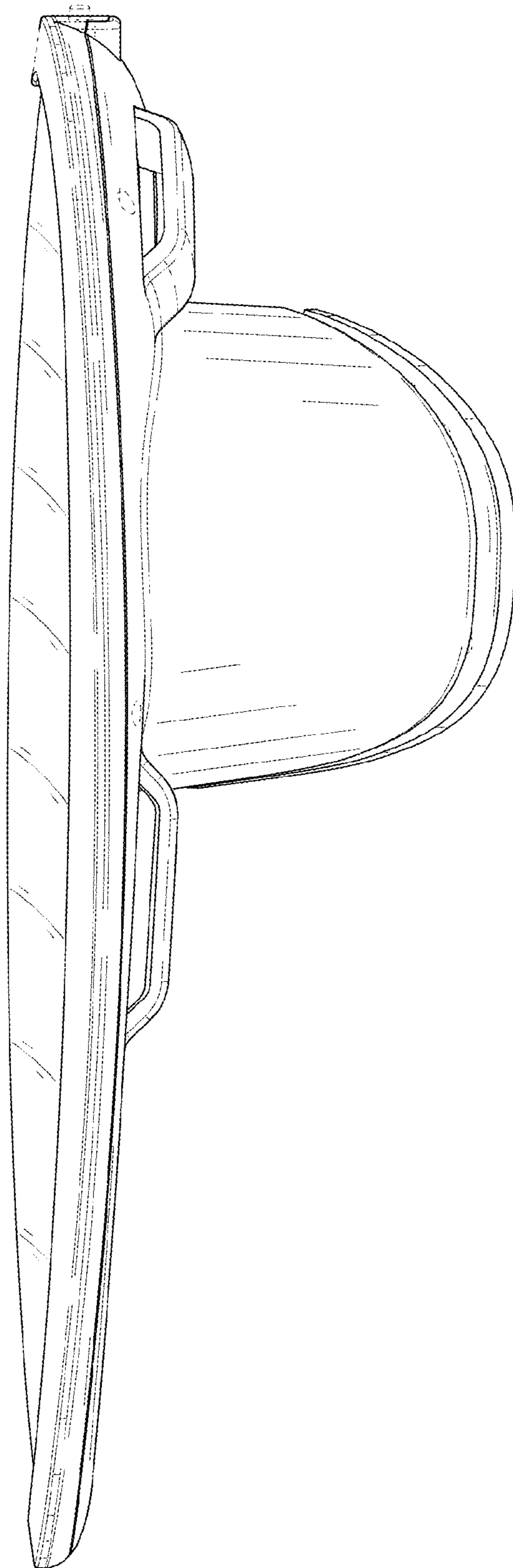


FIG. 14



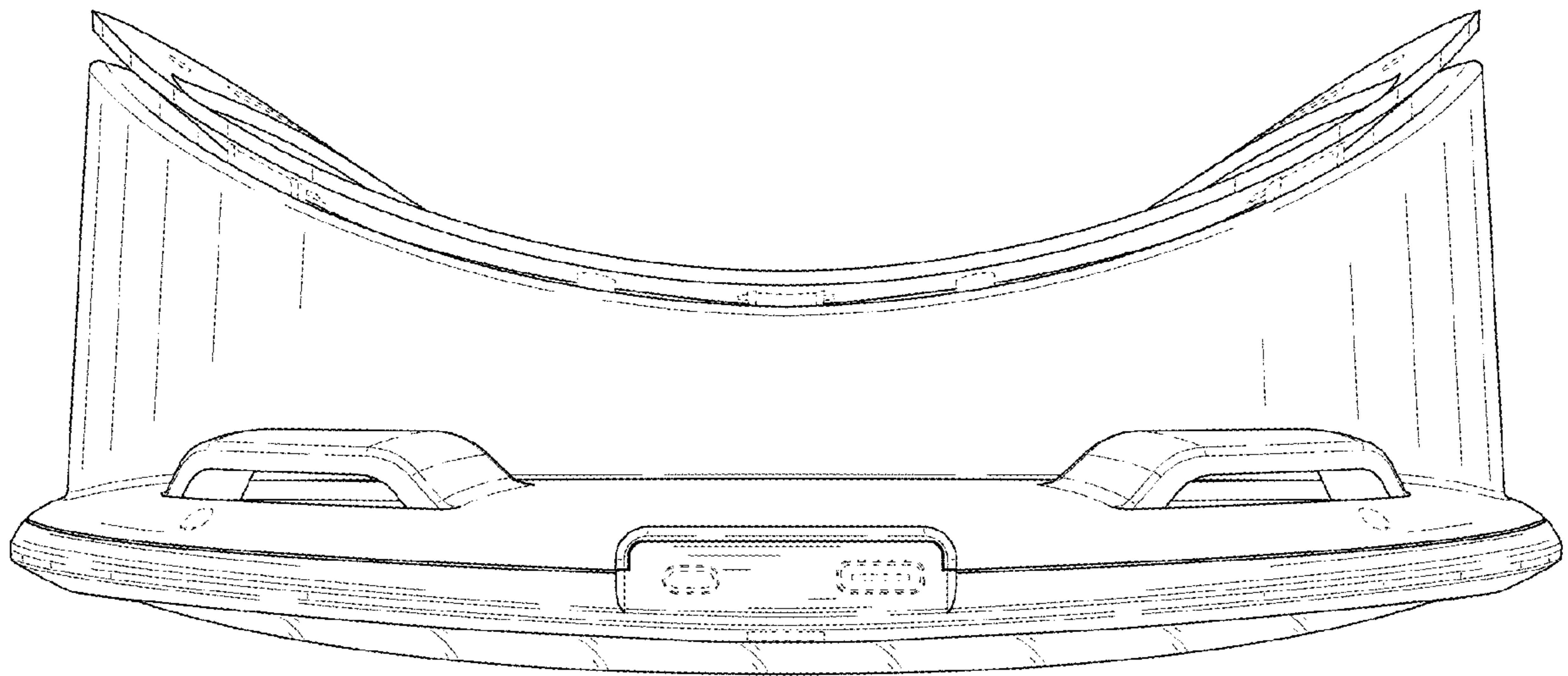


FIG. 15

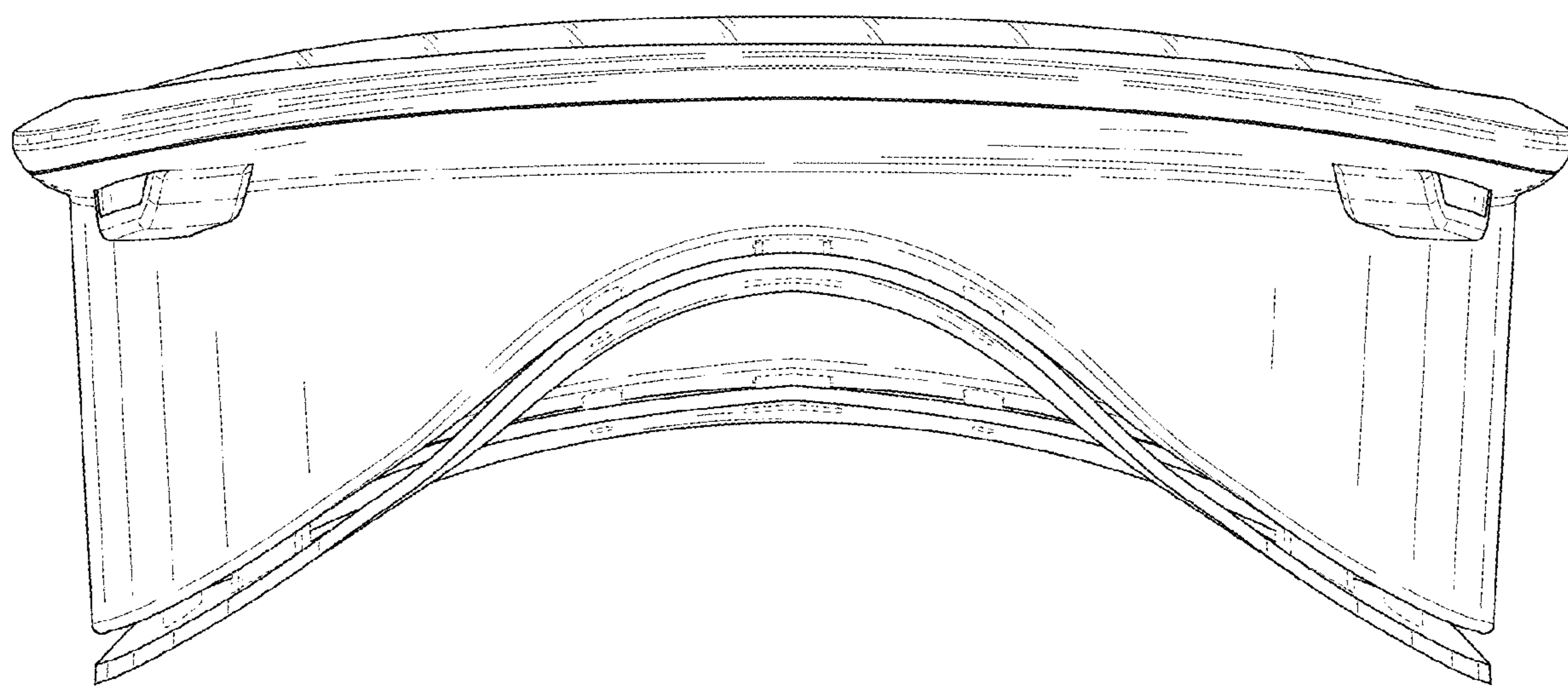


FIG. 16