



US00D970648S

(12) **United States Design Patent** (10) **Patent No.:** **US D970,648 S**
Liu (45) **Date of Patent:** **** Nov. 22, 2022**

(54) **REMOTE CONTROL CAR**

(71) Applicant: **Jiarong Liu**, Shenzhen (CN)

(72) Inventor: **Jiarong Liu**, Shenzhen (CN)

(**) Term: **15 Years**

(21) Appl. No.: **29/818,988**

(22) Filed: **Dec. 13, 2021**

(51) **LOC (13) Cl.** **21-01**

(52) **U.S. Cl.**
USPC **D21/550; D21/533**

(58) **Field of Classification Search**
USPC D21/533, 548-552, 557-561
CPC A63H 17/262; A63H 17/26; A63H 17/00;
A63H 17/004; A63H 17/045; A63H
17/05; A63H 30/00
See application file for complete search history.

(56) **References Cited**

U.S. PATENT DOCUMENTS

D792,524 S	*	7/2017	Lee	D21/550
D822,124 S	*	7/2018	Bei	D21/533
D842,388 S	*	3/2019	Wang	D21/552
D871,512 S		12/2019	Cai		
D939,637 S	*	12/2021	Wang	D21/533
D941,932 S	*	1/2022	Yang	D21/550
D944,899 S	*	3/2022	Weng	D21/533
D952,760 S	*	5/2022	Wang	D21/533
D952,762 S	*	5/2022	Shen	D21/548

OTHER PUBLICATIONS

2.4GHz 4WD Stunt Car, Oct. 8, 2019, youtube.com, retrieved Jul. 25, 2022, <https://www.youtube.com/watch?v=A6swo9G4pCo> (Year: 2019).*

KGUANG Gravity Induction Distortion RC Car, amazon.com, retrieved Jul. 22, 2022, <https://www.amazon.com/KGUANG-Induction-Distortion-Double-Sided-Deformation/dp/B098KBFJBK?th=1> (Year: 2022).*

* cited by examiner

Primary Examiner — Katherine A Holbrow

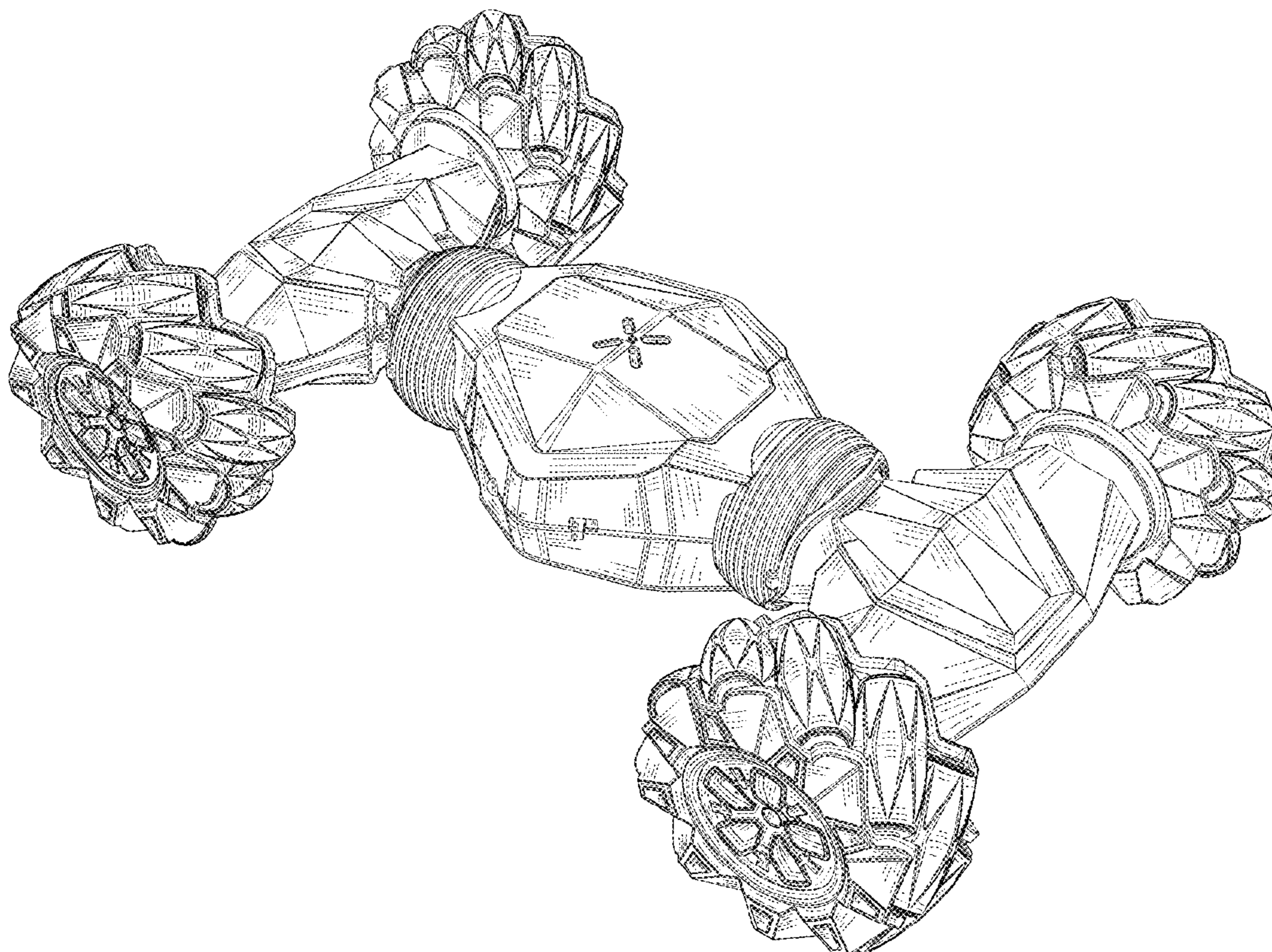
(57) **CLAIM**

The ornamental design for remote control car, substantially as shown and described.

DESCRIPTION

FIG. 1 is a top, front and left side perspective view of remote control car, showing my new design;
FIG. 2 is a top plan view thereof;
FIG. 3 is a bottom plan view thereof;
FIG. 4 is a left side elevational view thereof;
FIG. 5 is a right side elevational view thereof;
FIG. 6 is a front elevational view thereof; and,
FIG. 7 is a rear elevational view thereof.

1 Claim, 7 Drawing Sheets



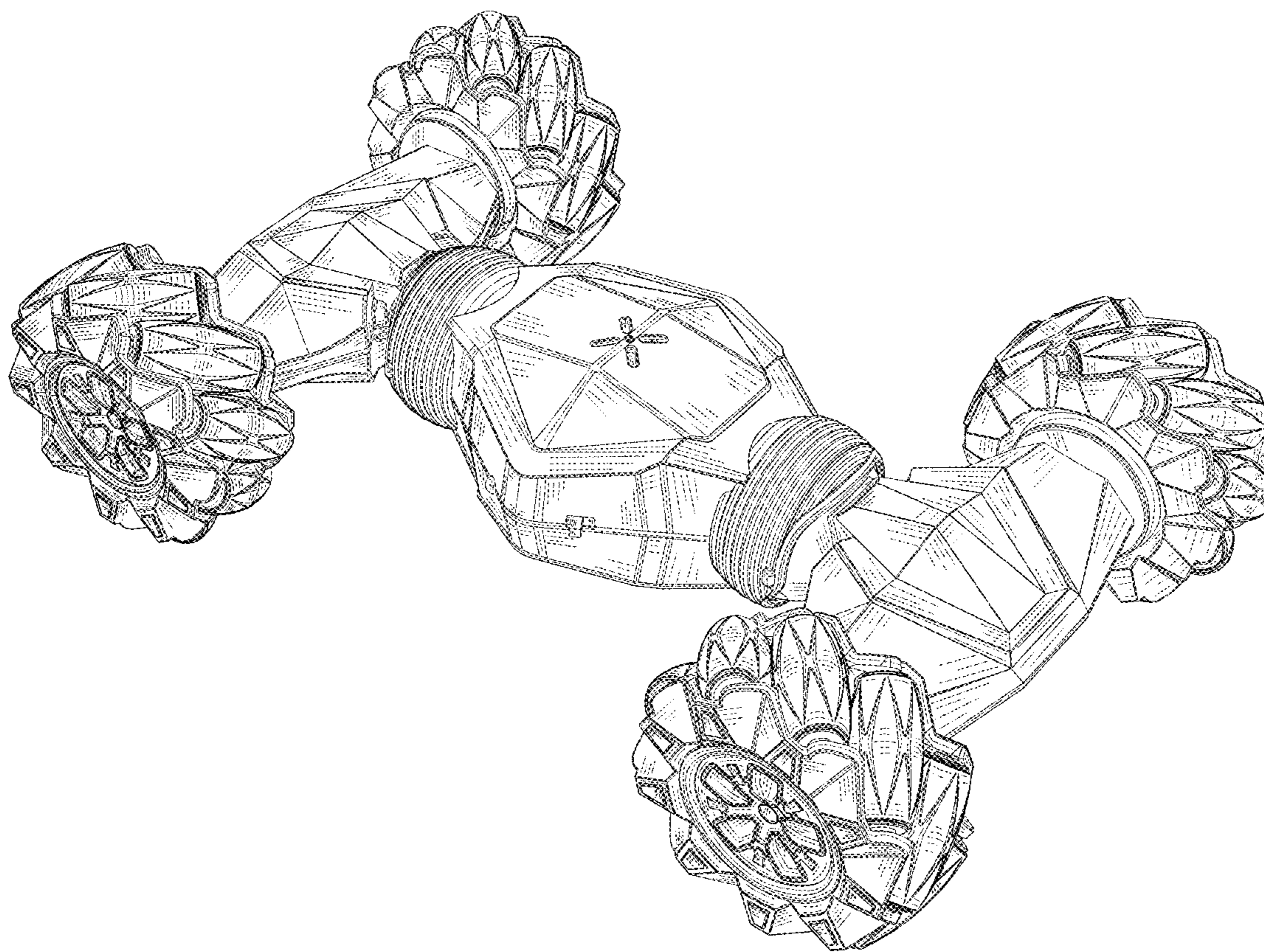


FIG. 1

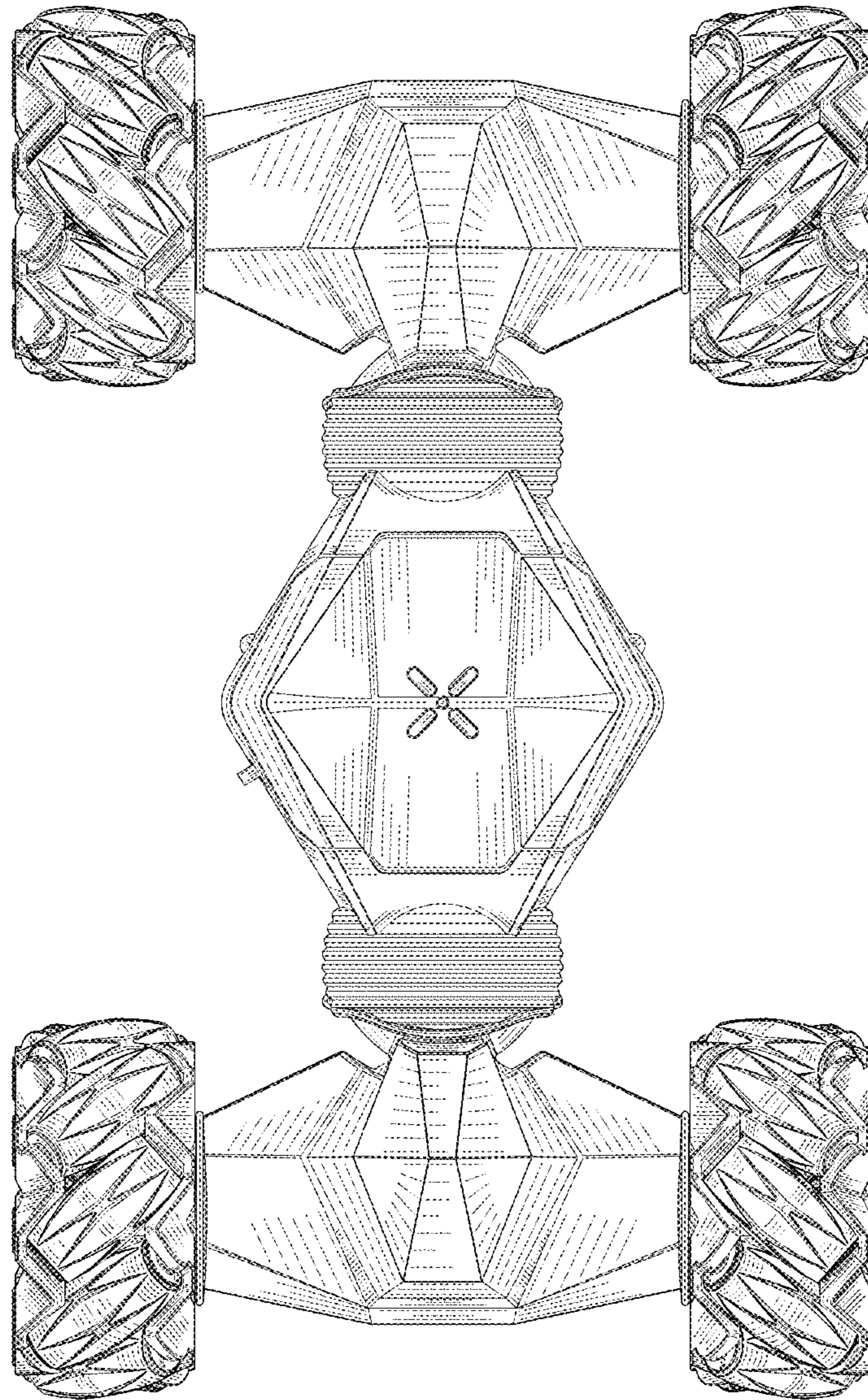


FIG. 2

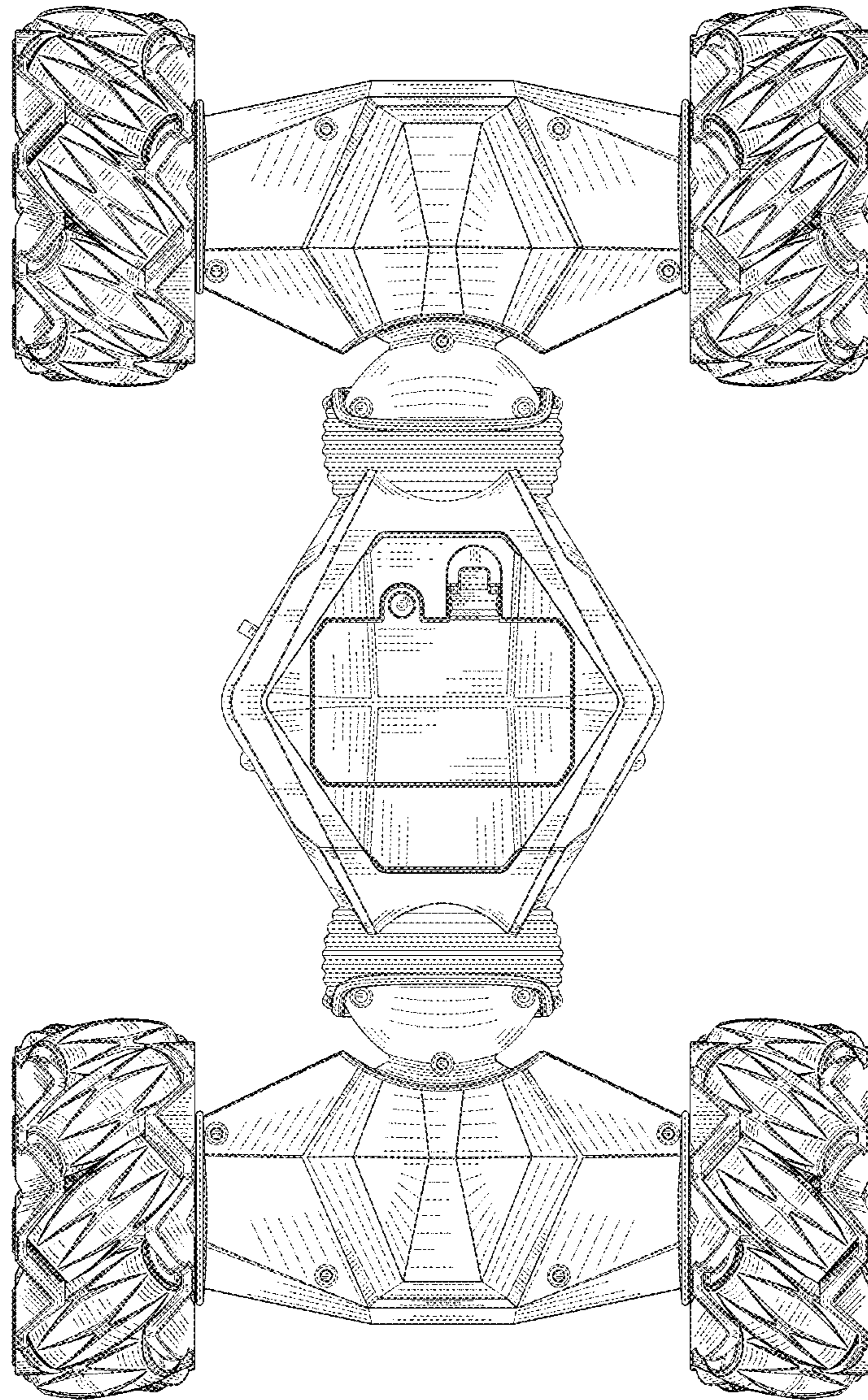


FIG. 3

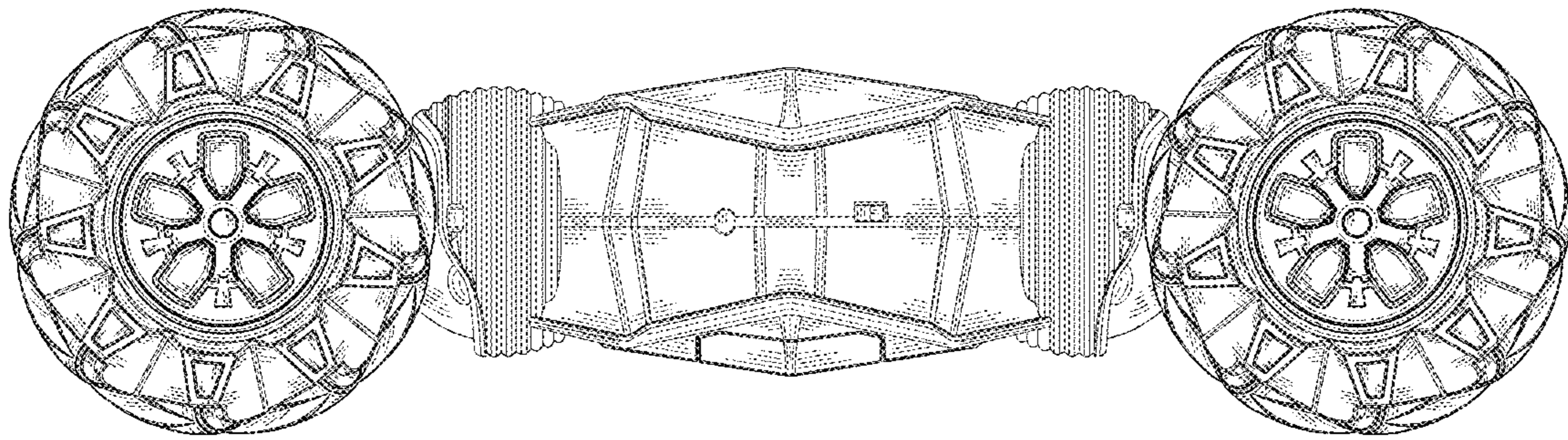


FIG. 4

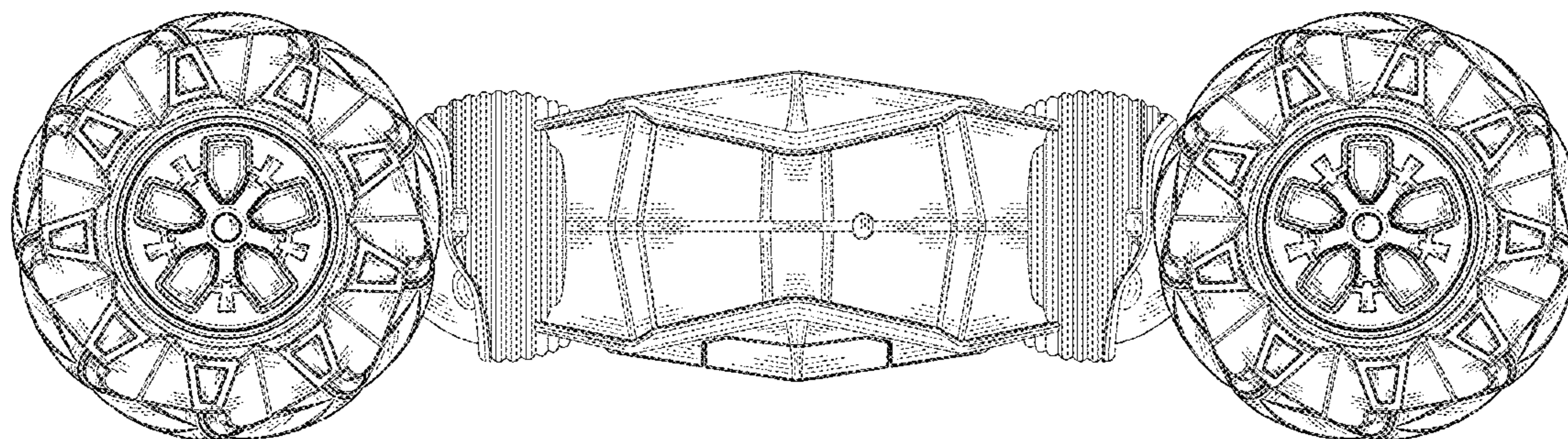


FIG. 5

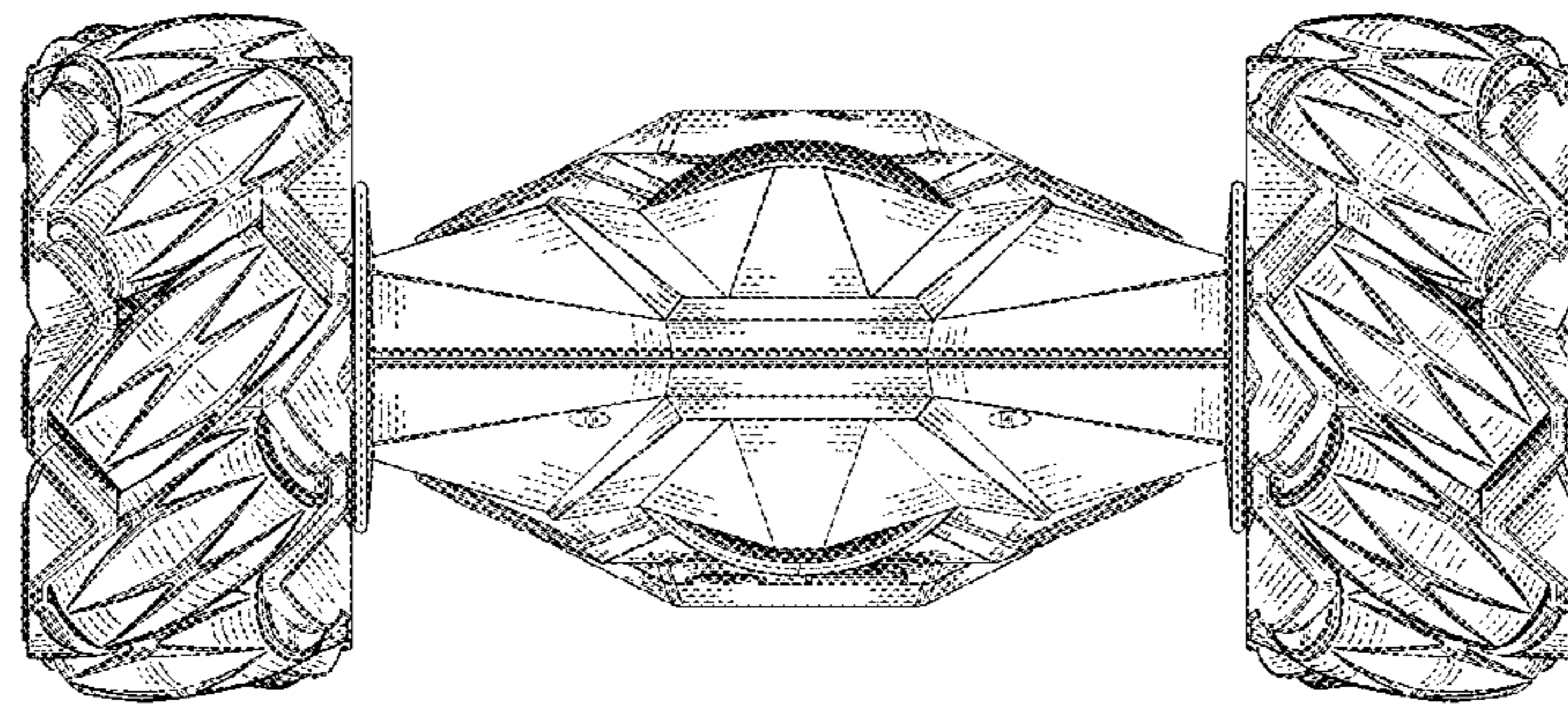


FIG. 6

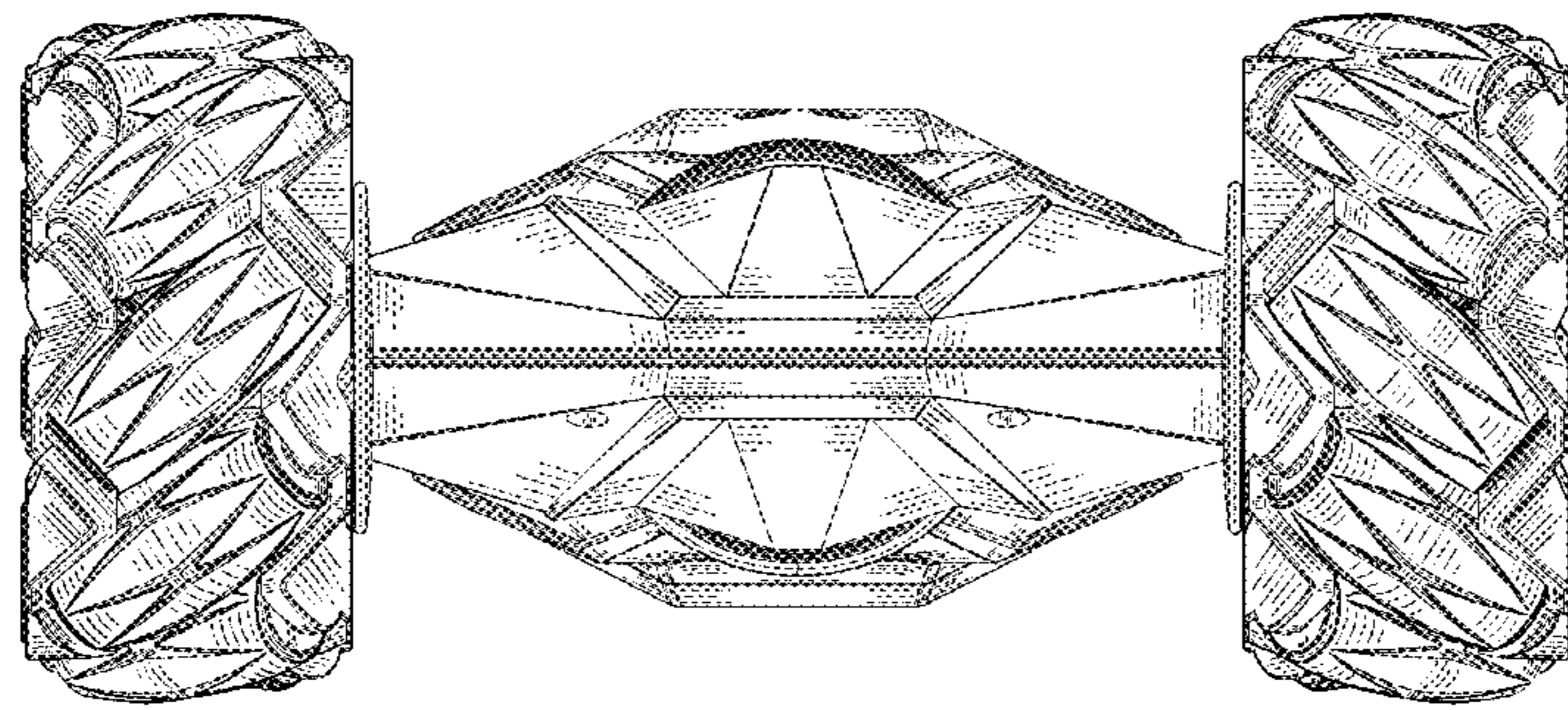


FIG. 7