



US00D970646S

(12) **United States Design Patent** (10) **Patent No.:** **US D970,646 S**  
**Dai** (45) **Date of Patent:** **\*\* Nov. 22, 2022**

(54) **SPLICING TOY**

(56) **References Cited**

(71) Applicant: **SHENZHEN YIHONG E-COMMERCE CO., LTD**, Shenzhen (CN)

U.S. PATENT DOCUMENTS

4,427,197 A \* 1/1984 Doose ..... A63F 9/0842  
D344,689 S \* 3/1994 de Hilster ..... D21/468  
5,302,148 A \* 4/1994 Heinz ..... A63F 9/088

(72) Inventor: **Yi Dai**, Shenzhen (CN)

(Continued)

(73) Assignee: **SHENZHEN YIHONG E-COMMERCE CO., LTD**, Shenzhen (CN)

FOREIGN PATENT DOCUMENTS

CN 304401276 \* 7/2017

(\*\*) Term: **15 Years**

OTHER PUBLICATIONS

(21) Appl. No.: **29/831,414**

“Infinity Cube Fidget Toy” Jun. 1, 2017, Amazon, site visited Aug. 27, 2022: <https://amzn.to/3RevGQm> (Year: 2017).\*

(22) Filed: **Mar. 20, 2022**

(Continued)

(51) **LOC (13) Cl.** ..... **21-01**

*Primary Examiner* — Jack Reickel

(52) **U.S. Cl.**

*Assistant Examiner* — Salamah Jordan

USPC ..... **D21/468**

(58) **Field of Classification Search**

(57) **CLAIM**

USPC ..... D7/550.1, 553.4, 553.5, 553.7, 553.8, D7/555-557, 611, 701, 702, 708, 624.1, D7/357, 359, 672, 675, 677, 388, 409, D7/410; D9/758; D21/300, 324, 331, D21/336, 337, 340, 344-346, 365, 385, D21/386, 392, 393, 478, 479, 499; D16/200-205, 208-218; D25/118, 268; D19/59, 62, 64, 75, 77, 81-85, 95-97; D11/121, 124, 131, 157; D6/300-303; D10/1, 2, 6, 24

The ornamental design for a splicing toy, as shown and described.

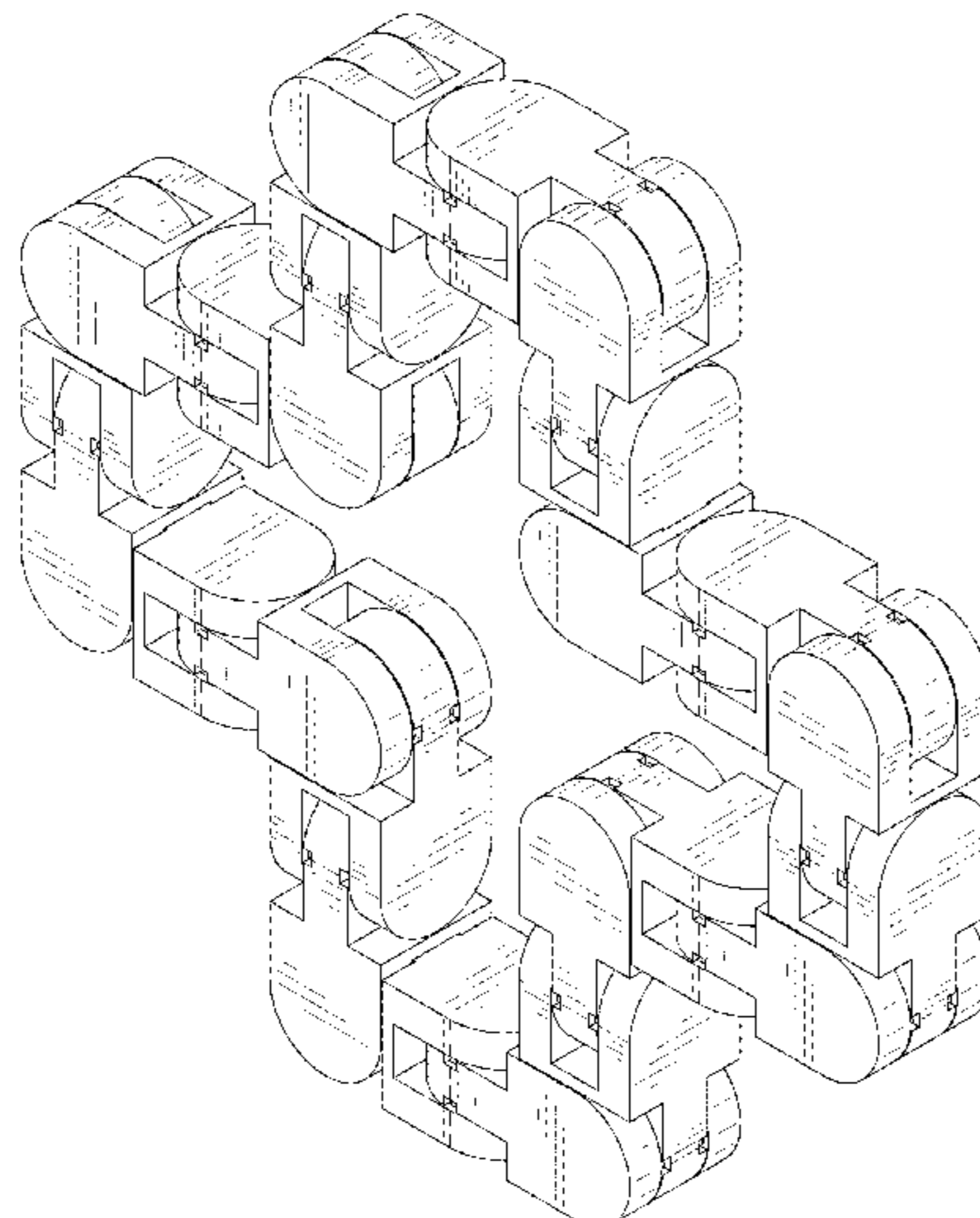
**DESCRIPTION**

CPC ..... A63B 21/078; A63H 5/00; A63H 33/00; A63H 33/001; A63F 3/00214; A63F 3/00533; A63F 3/00574; A63F 3/00697; A63F 3/0415; A63F 3/06; A63F 3/062; A63F 3/0625; A63F 3/0635; A63F 3/0695; A63F 2003/00258; A63F 2003/00394; A63F 2003/00397; A63F 2003/004; A63F 2003/00457; A63F 2003/00504; A63F 2003/0418; A63F 9/0826; A63F 2250/1073; A63F 3/00094; A63F 3/00261-00694;

FIG. 1 is a perspective view of a splicing toy showing my new design;  
FIG. 2 is another perspective view thereof;  
FIG. 3 is a front elevational view thereof;  
FIG. 4 is a rear elevational view thereof;  
FIG. 5 is a left side elevational view thereof;  
FIG. 6 is a right side elevational view thereof;  
FIG. 7 is a top plan view thereof;  
FIG. 8 is a bottom plan view thereof;  
FIG. 9 is a perspective view of the splicing toy where the splicing toy is in a configuration of use; and,  
FIG. 10 is a perspective view of one of the 24 identical components of the splicing toy, shown in isolation.  
The broken lines in the drawings depict portions of the splicing toy that form no part of the claimed design.

(Continued)

**1 Claim, 10 Drawing Sheets**



(58) **Field of Classification Search**

CPC ..... A63F 9/088; A63F 9/12; G06F 1/3212;  
G06F 16/283; H04L 63/1425  
See application file for complete search history.

(56) **References Cited**

U.S. PATENT DOCUMENTS

D365,127 S \* 12/1995 Westersund ..... D21/468  
6,186,860 B1 \* 2/2001 Liao ..... A63F 9/001  
D482,411 S 11/2003 Stevens et al.  
D495,378 S \* 8/2004 Sugden ..... D21/478  
6,899,588 B1 \* 5/2005 Clever ..... A63H 33/088  
D528,607 S \* 9/2006 Sugden ..... D21/478  
D618,291 S \* 6/2010 Stott ..... D21/478  
D705,366 S \* 5/2014 Inversin ..... D21/478  
D730,423 S \* 5/2015 Vandenbussche ..... D16/218  
D790,638 S \* 6/2017 Kuo ..... D21/504  
D818,055 S \* 5/2018 Xie ..... D21/499  
D831,753 S 10/2018 Xu  
D863,454 S \* 10/2019 Lane ..... D21/468  
D884,088 S \* 5/2020 Leibovich ..... D21/478  
D902,320 S \* 11/2020 Garrett ..... D19/60  
D960,248 S \* 8/2022 Rees ..... D21/336

D961,686 S \* 8/2022 Tang ..... D21/468  
2008/0070657 A1 \* 3/2008 Kratz ..... A63F 9/24  
2011/0307834 A1 \* 12/2011 Wu ..... G06F 3/0488  
2012/0013072 A1 \* 1/2012 Loveland ..... A63F 9/1204  
2018/0161668 A1 \* 6/2018 Chen ..... A63F 9/0842  
2018/0322356 A1 \* 11/2018 Wang ..... G06T 7/74  
2019/0091559 A1 \* 3/2019 Fu ..... G06F 3/03  
2019/0114944 A1 \* 4/2019 Garrett ..... A63F 13/00  
2019/0374849 A1 \* 12/2019 Limaye ..... A63F 9/0842  
2022/0072414 A1 \* 3/2022 Su ..... A63F 9/0838  
2022/0263844 A1 \* 8/2022 Al Jarri ..... H04L 41/142

OTHER PUBLICATIONS

“Joeyank Fidget Cube”, Apr. 1, 2017, Amazon, site visited Aug. 27, 2022: <https://amzn.to/3dV13AR> (Year: 2017).\*

“Ranking All The Fidget Toys” Jul. 13, 2021, Youtube, site visited Aug. 27, 2022: <https://www.youtube.com/watch?v=IJ6GjAnZ8sk> (Year: 2021).\*

“Small Fish Fidget Toy” Mar. 13, 2019, Amazon, site visited Aug. 27, 2022: <https://amzn.to/3KqKjO8> (Year: 2019).\*

“Best Fidget Toy” Sep. 22, 2017, Youtube, site visited Aug. 27, 2022: <https://www.youtube.com/watch?v=z87c4tqYx7Q> (Year: 2017).\*

\* cited by examiner

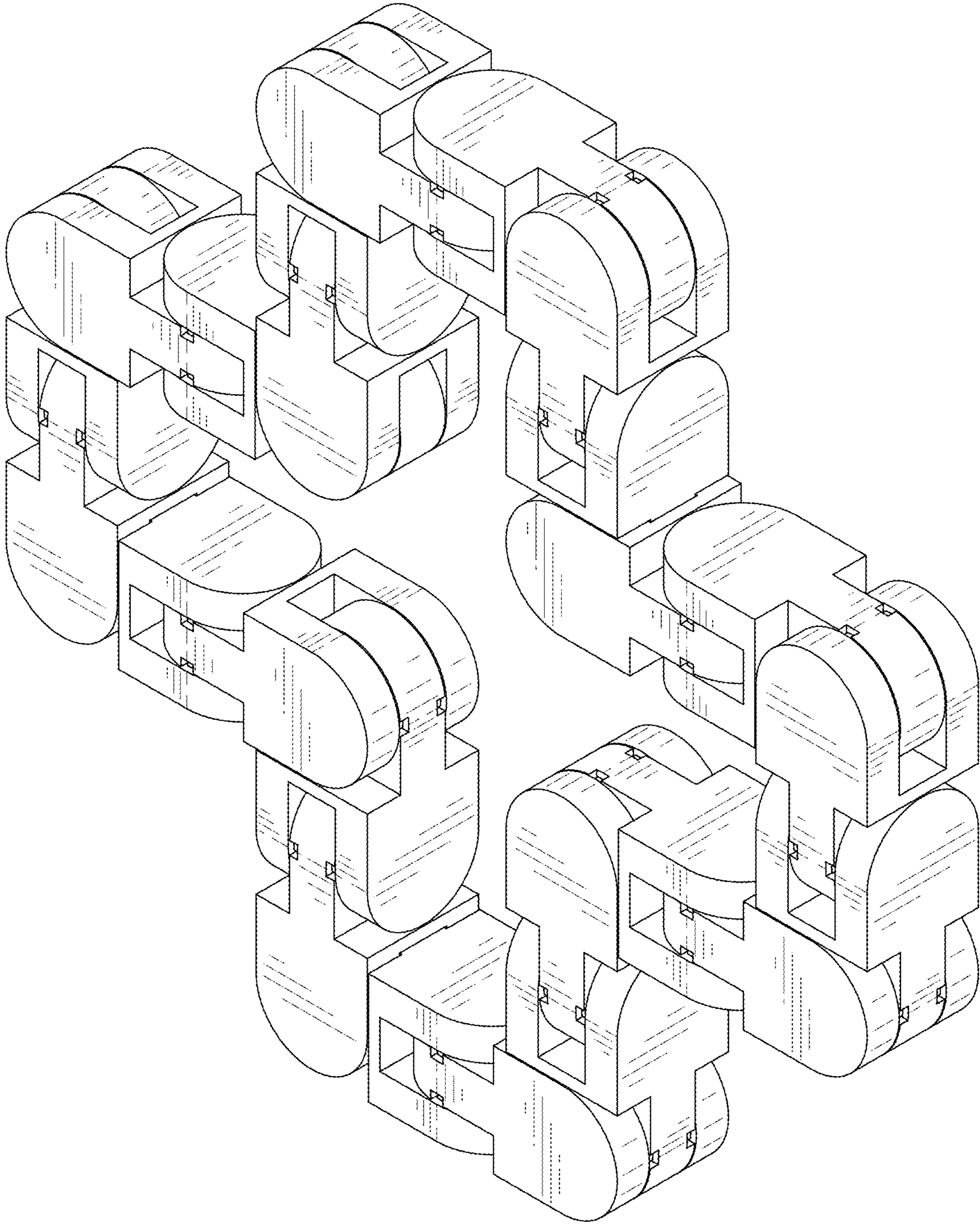


FIG. 1

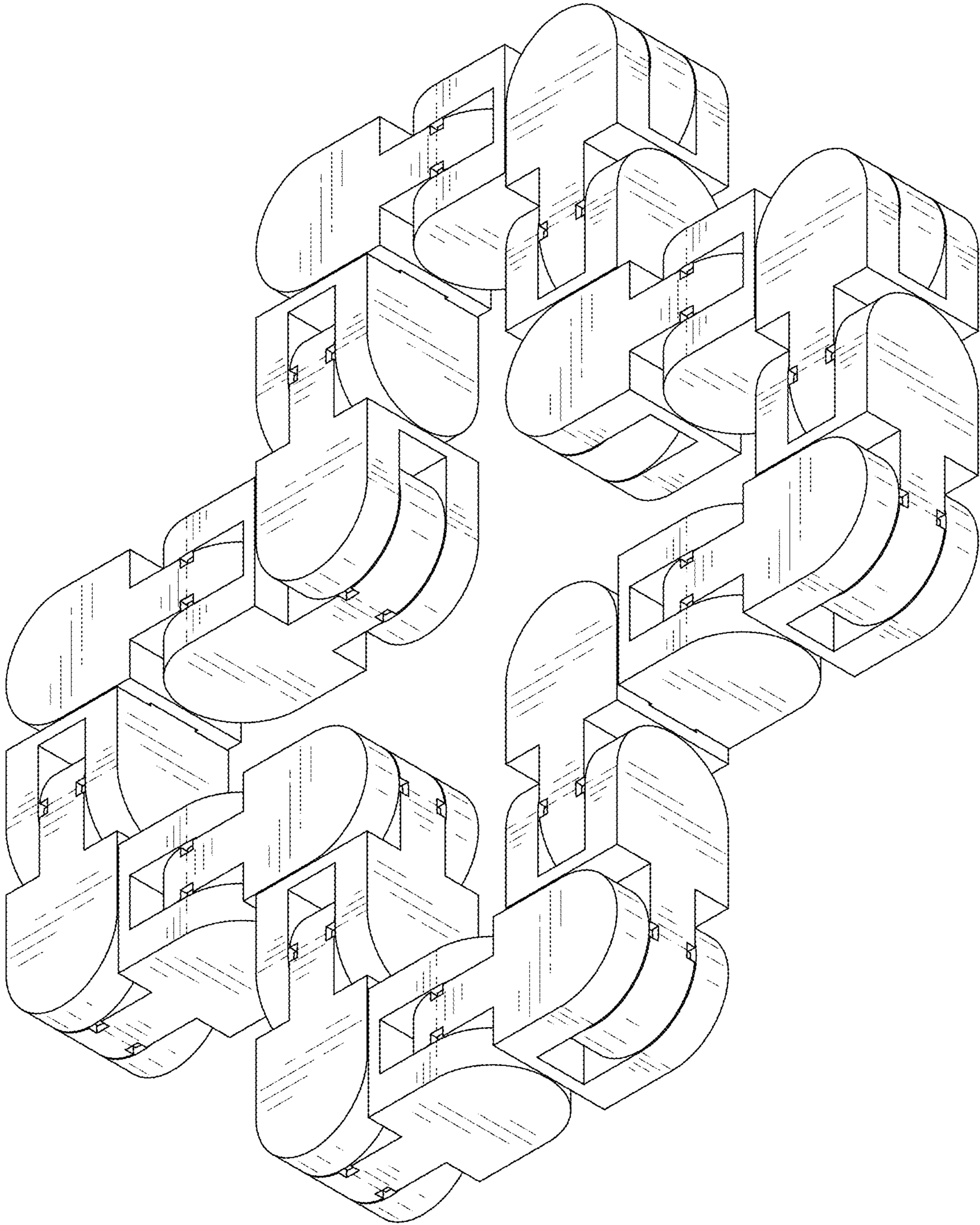


FIG. 2

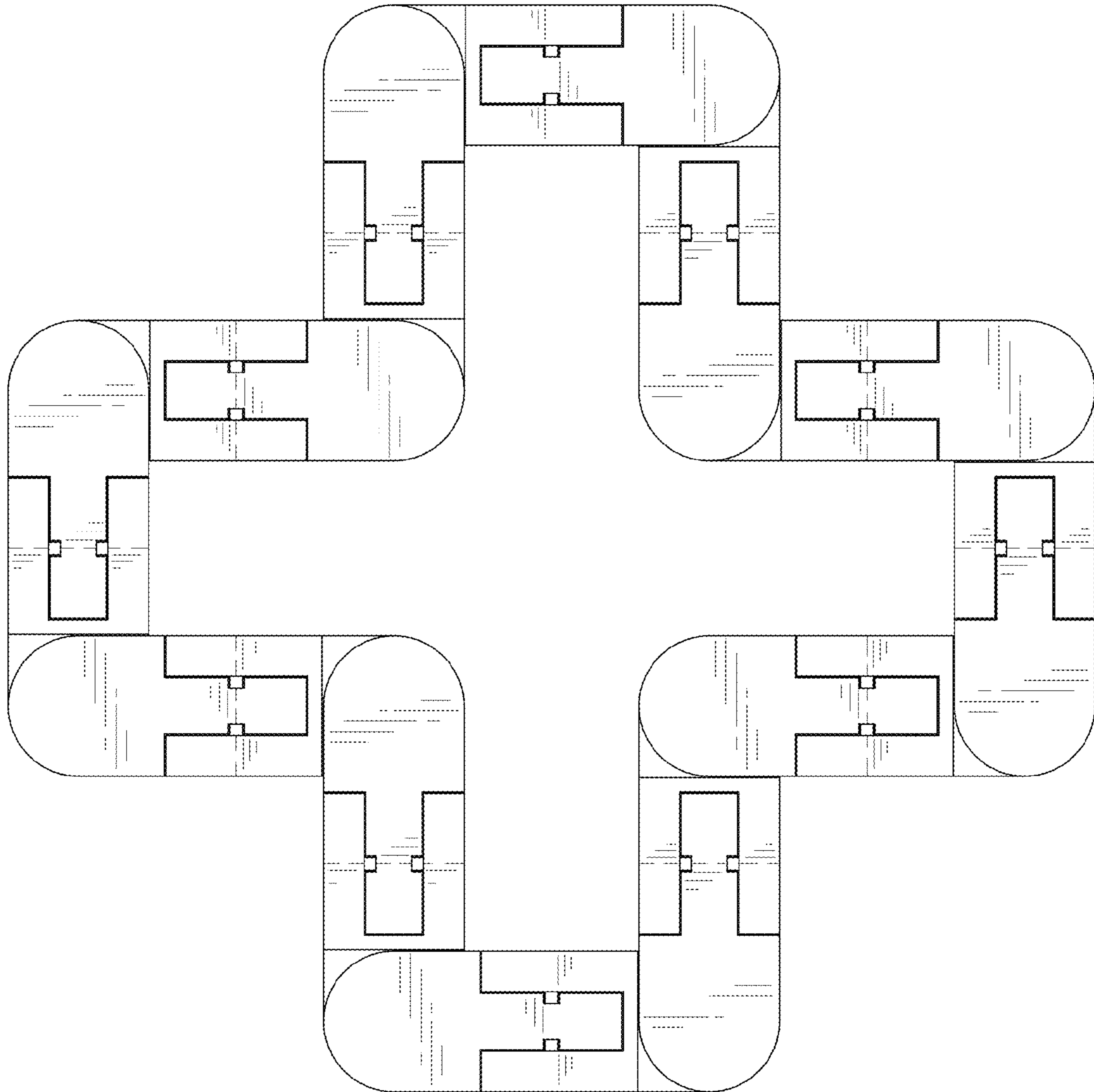


FIG. 3

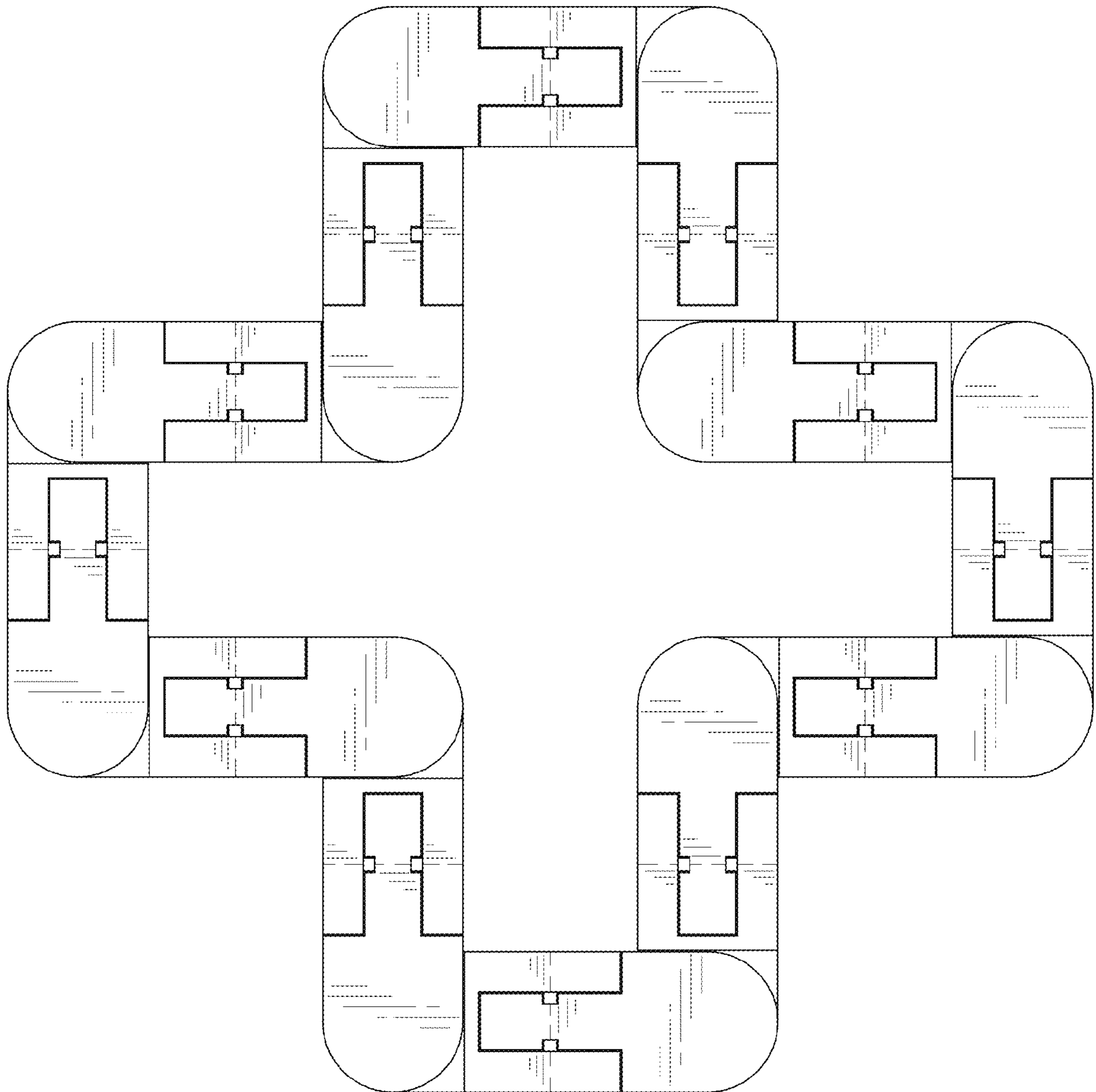


FIG. 4

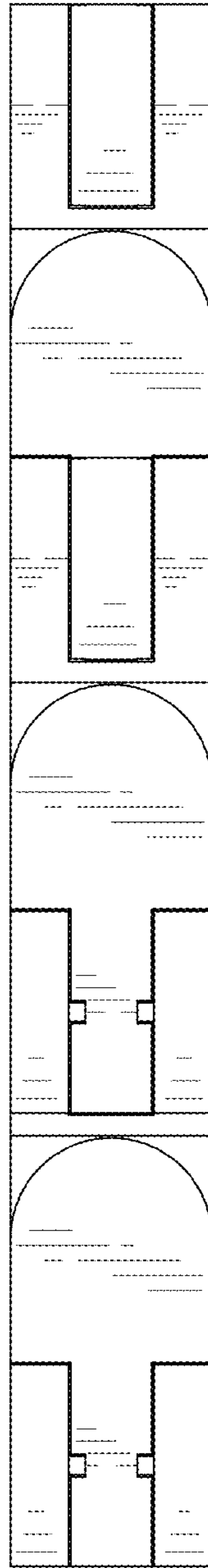


FIG. 5

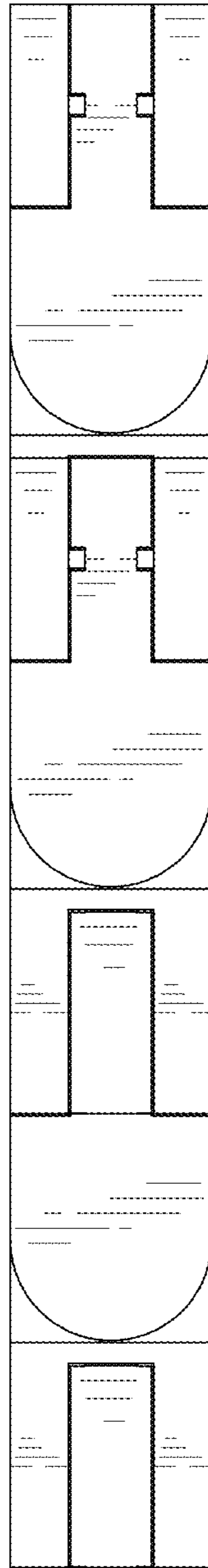


FIG. 6



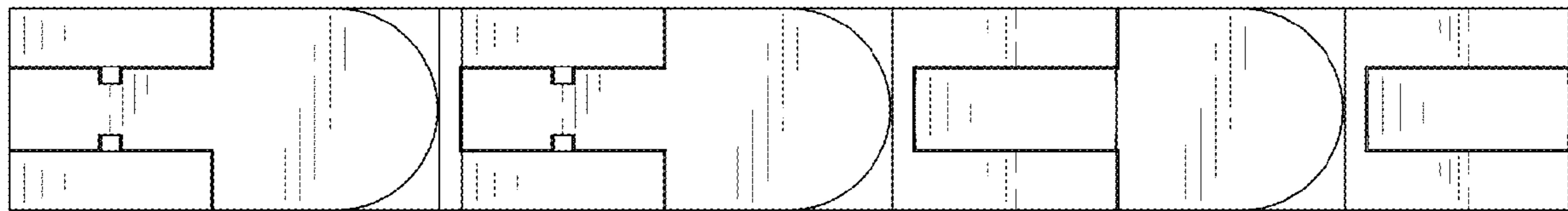


FIG. 7

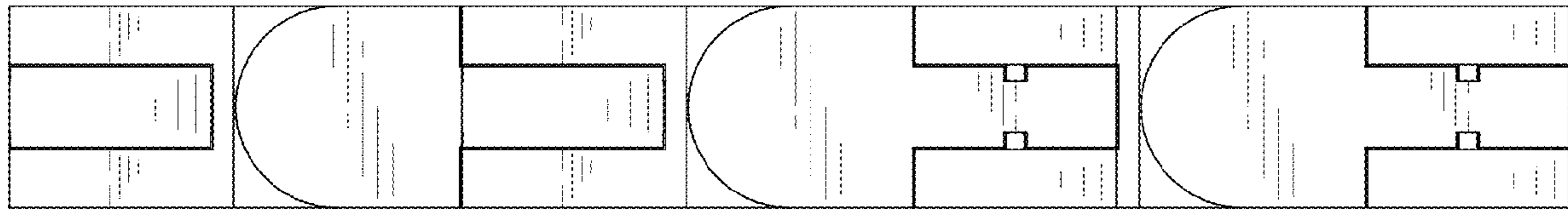


FIG. 8

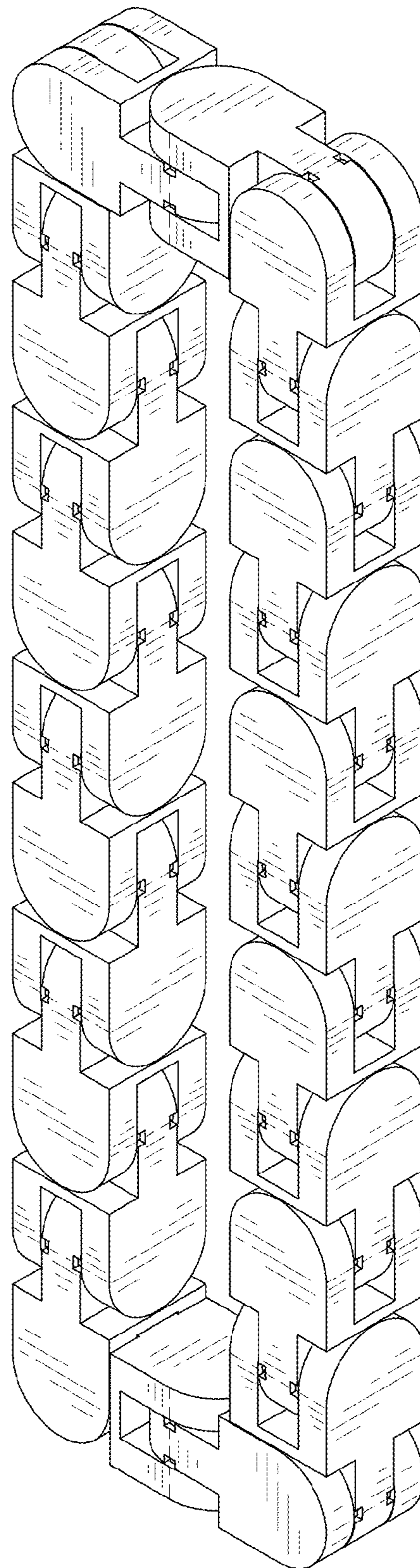


FIG. 9

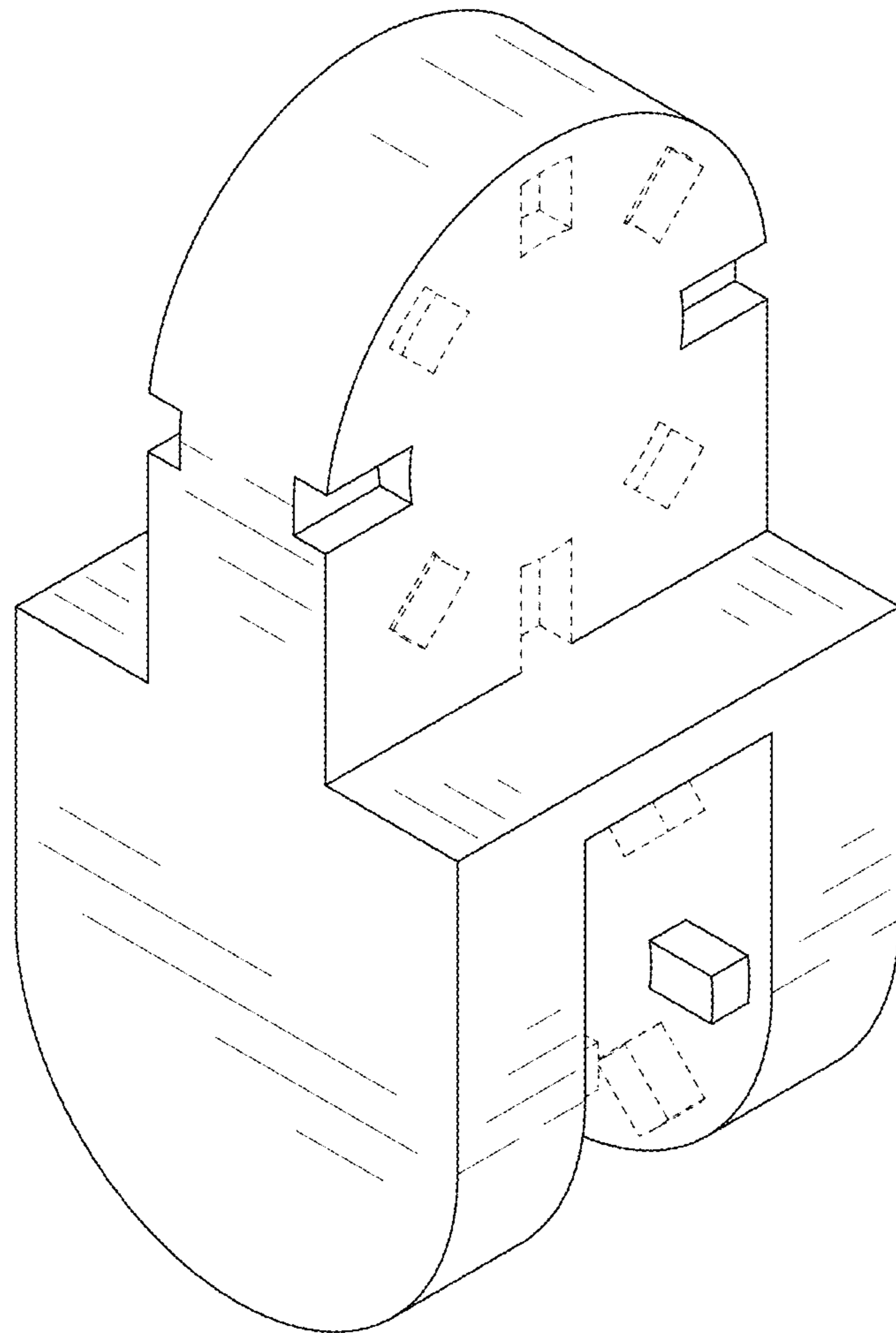


FIG. 10