



US00D970635S

(12) **United States Design Patent**
Schultheis et al.

(10) **Patent No.:** **US D970,635 S**

(45) **Date of Patent:** **** Nov. 22, 2022**

(54) **PLAYING SURFACE FOR SPINNING TOP TOY**

(71) Applicant: **TOMY COMPANY, LTD.**, Tokyo (JP)

(72) Inventors: **Douglas Arthur Schultheis**,
Cumberland, RI (US); **Luke C. Lohan**,
Abington, MA (US); **Hiroyuki Hama**,
Tokyo (JP)

(73) Assignee: **TOMY COMPANY, LTD.**, Tokyo (JP)

(**) Term: **15 Years**

(21) Appl. No.: **29/770,325**

(22) Filed: **Feb. 11, 2021**

(51) **LOC (13) Cl.** **21-01**

(52) **U.S. Cl.**
USPC **D21/456**; D21/461

(58) **Field of Classification Search**
USPC D21/398, 468, 470, 455, 456, 459-464,
D21/471, 488, 493, 338, 334, 362;
(Continued)

(56) **References Cited**

U.S. PATENT DOCUMENTS

1,889,680 A * 11/1932 Marmito A63H 1/00
473/569
D248,357 S * 7/1978 Daenen D7/505
(Continued)

OTHER PUBLICATIONS

Beyblade Burst Surge Speedstorm Motor Strike Battle Set. Release date: Aug. 1, 2021. Retrieved from internet: <<https://www.amazon.com/dp/B08TRM56V6/>> [site visited Jun. 28, 2022] (Year: 2021).*
(Continued)

Primary Examiner — Katherine Glennon
Assistant Examiner — Yuan Yuan

(74) *Attorney, Agent, or Firm* — Oliff PLC

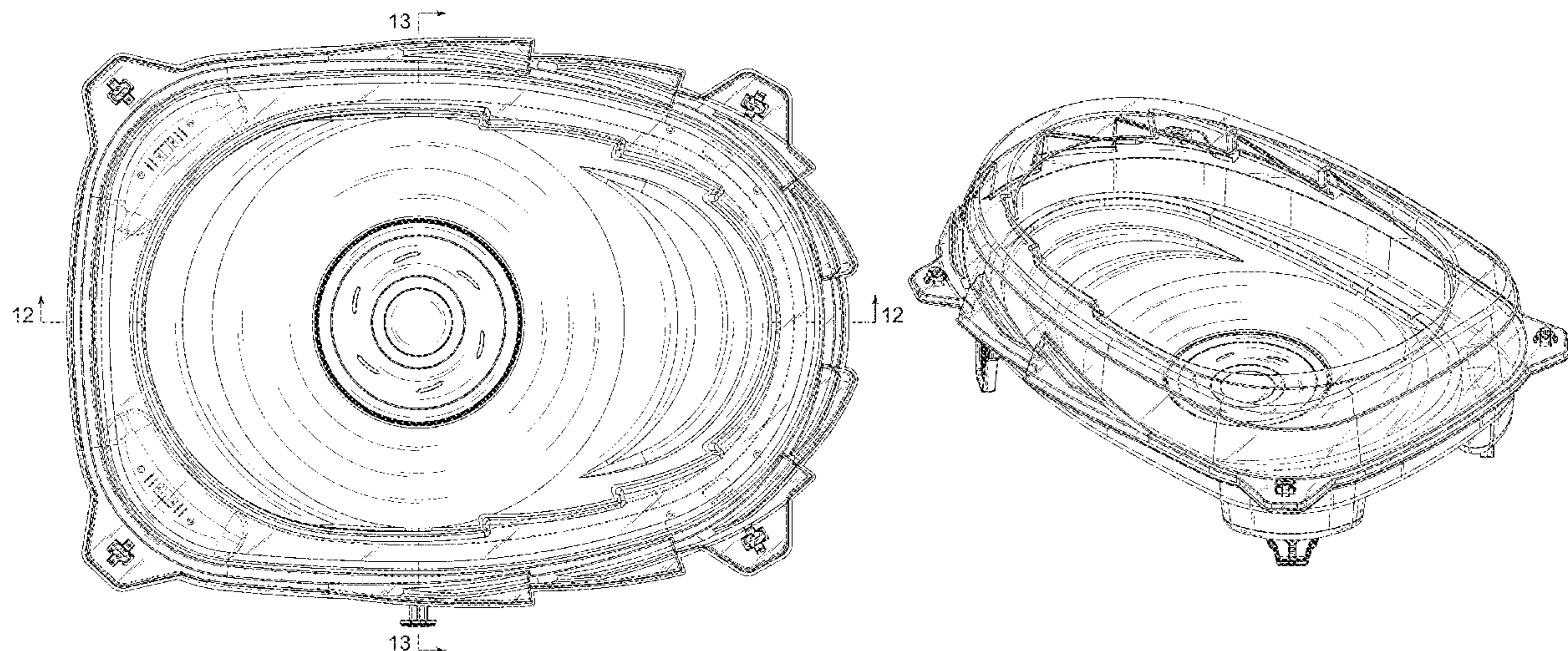
(57) **CLAIM**

The ornamental design for a playing surface for spinning top toy, as shown and described.

DESCRIPTION

FIG. 1 is a front elevational view of a playing surface for spinning top toy, showing the new design;
FIG. 2 is a rear elevational view thereof
FIG. 3 is a left-side elevational view thereof;
FIG. 4 is a right-side elevational view thereof;
FIG. 5 is a top plan view thereof;
FIG. 6 is a bottom plan view thereof;
FIG. 7 is a rear, left-side, top perspective view thereof;
FIG. 8 is a rear, left-side, bottom perspective view thereof;
FIG. 9 is a front, right-side, top perspective view thereof;
FIG. 10 is a front, right-side, top disassembled perspective view showing the playing surface separated into four fasteners, a cover, a base, two small legs, two big legs, a rotary board, a connector, and a stick;
FIG. 11 is a rear, left-side, bottom disassembled perspective view, showing the playing surface separated into the four fasteners, the cover, the base, the two small legs, the two big legs, the rotary board, the connector, and the stick;
FIG. 12 is a cross-sectional view taken along the line 12-12 in FIG. 5;
FIG. 13 is a cross-sectional view taken along the line 13-13 in FIG. 5;
FIG. 14 is a perspective view of one of the fasteners;
FIG. 15 is another perspective view of one of the fasteners;
FIG. 16 is a perspective view of one of the small legs;
FIG. 17 is another perspective view of one of the small legs;
FIG. 18 is a perspective view of one of the big legs;
FIG. 19 is another perspective view of one of the big legs;
FIG. 20 is a perspective view of the connector;
FIG. 21 is another perspective view of the connector;
FIG. 22 is a perspective view of the stick; and,
FIG. 23 is another perspective view of the stick.
The broken lines depict parts of the playing surface for spinning top toy that form no part of the claimed design.

1 Claim, 16 Drawing Sheets



(58) **Field of Classification Search**

USPC D19/86; D6/406.1, 406.3, 406.4, 406.6;
 D7/354, 554.2, 554.4, 558, 585, 588, 601,
 D7/602, 499; D9/737, 758; D30/121,
 D30/129, 130, 132, 133; D11/152-154
 CPC ... A63H 1/00; A63H 1/04; A63H 1/06; A63H
 1/08; A63H 1/10; A63H 1/12; A63H
 1/16; A63H 1/18; A63H 1/20; A63H
 1/22; A63H 1/24; A63H 1/26; A63H
 1/28; A63H 1/30; A63H 1/32; A63H
 29/24; A63F 9/16; A63F 2009/165; A63F
 7/38; A63F 7/04; A63F 3/00; A63F
 3/00003; A63F 3/00028; A63F 3/00173;
 A63F 3/00214; A63F 3/00643; A63F
 2007/3637

See application file for complete search history.

(56) **References Cited**

U.S. PATENT DOCUMENTS

D276,870 S * 12/1984 Gulotta D7/354
 D321,302 S * 11/1991 Zimmerman D7/392.1
 5,277,149 A * 1/1994 East A01K 7/00
 119/51.5

D348,805 S * 7/1994 Cautereels D7/602
 D510,295 S * 10/2005 Lehman D11/152
 D664,308 S * 7/2012 Crystal D30/132
 D715,623 S * 10/2014 Holtby D8/356
 D859,531 S * 9/2019 Matsukawa D21/461
 D884,078 S * 5/2020 Hama D21/461
 D884,797 S * 5/2020 Schultheis D21/461
 D900,228 S * 10/2020 Schultheis D21/461
 D902,500 S * 11/2020 Glinsky D30/129
 D912,157 S * 3/2021 Hama D21/461
 D951,357 S * 5/2022 Schultheis D21/461
 D952,042 S * 5/2022 Schultheis D21/338
 2010/0159798 A1 * 6/2010 Bertrand A63H 1/02
 446/259
 2010/0320682 A1 * 12/2010 Derrah A63H 7/00
 273/108.1

OTHER PUBLICATIONS

Beyblade Burst Surge Speedstorm Volt Knockout Battle Set .
 Release date: Dec. 1, 2020. Retrieved from internet: <<https://www.amazon.com/dp/B08J5RMZ2S/>> [site visited Jun. 28, 2022] (Year: 2020).*

* cited by examiner

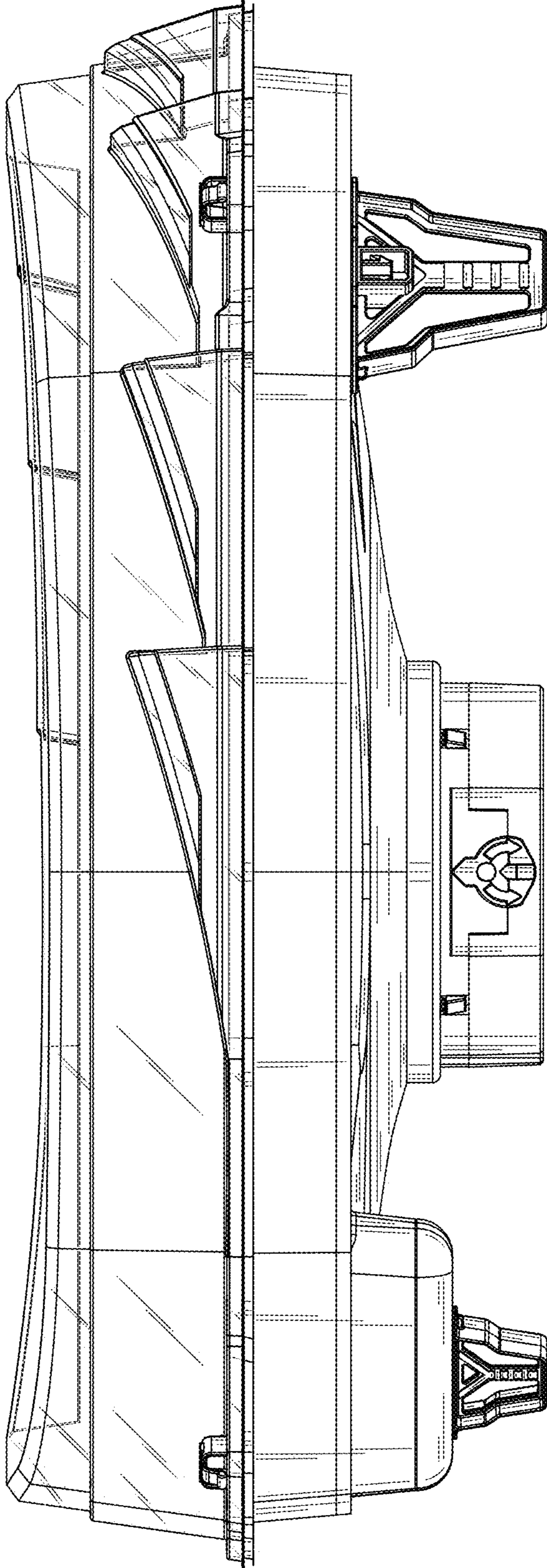


FIG. 1

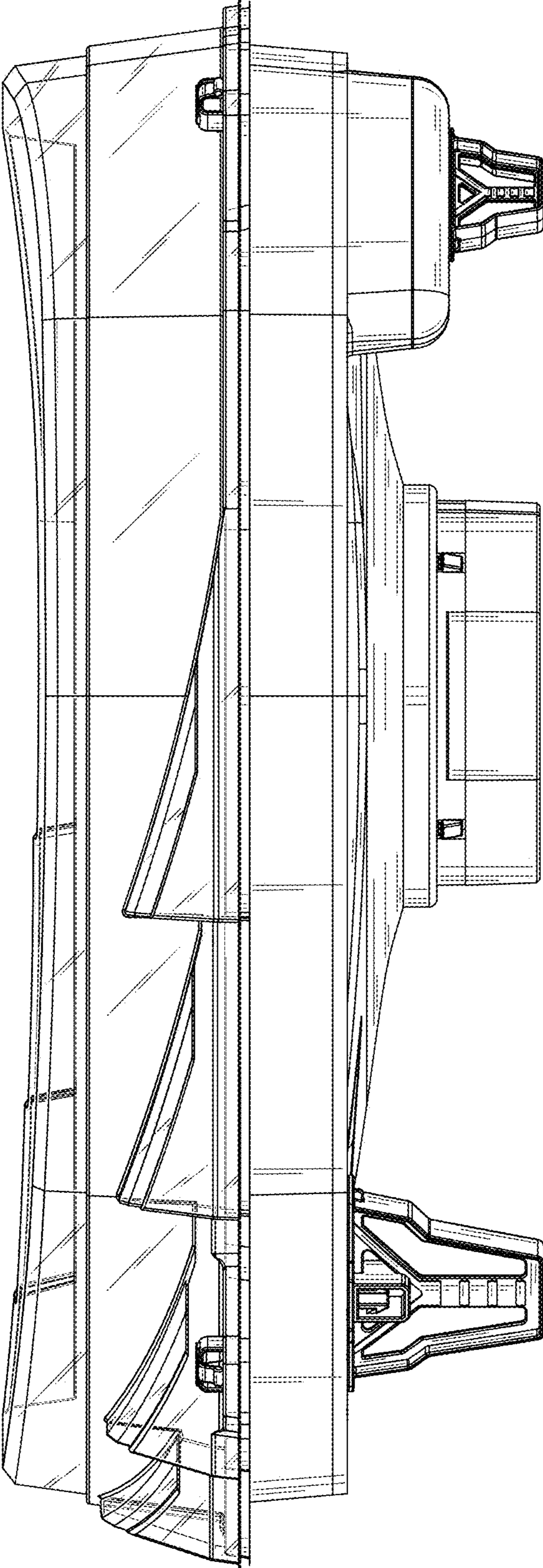


FIG. 2

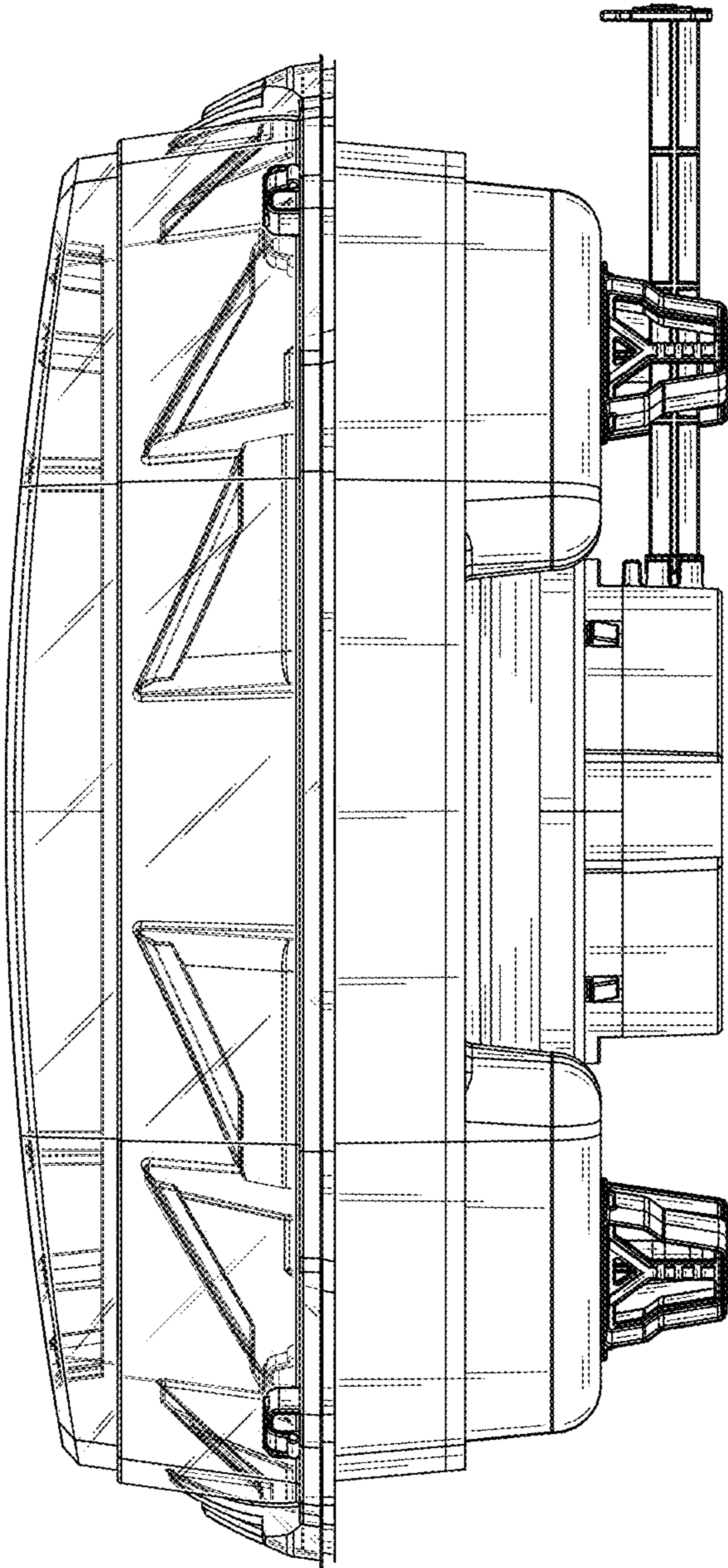


FIG. 3



FIG. 4

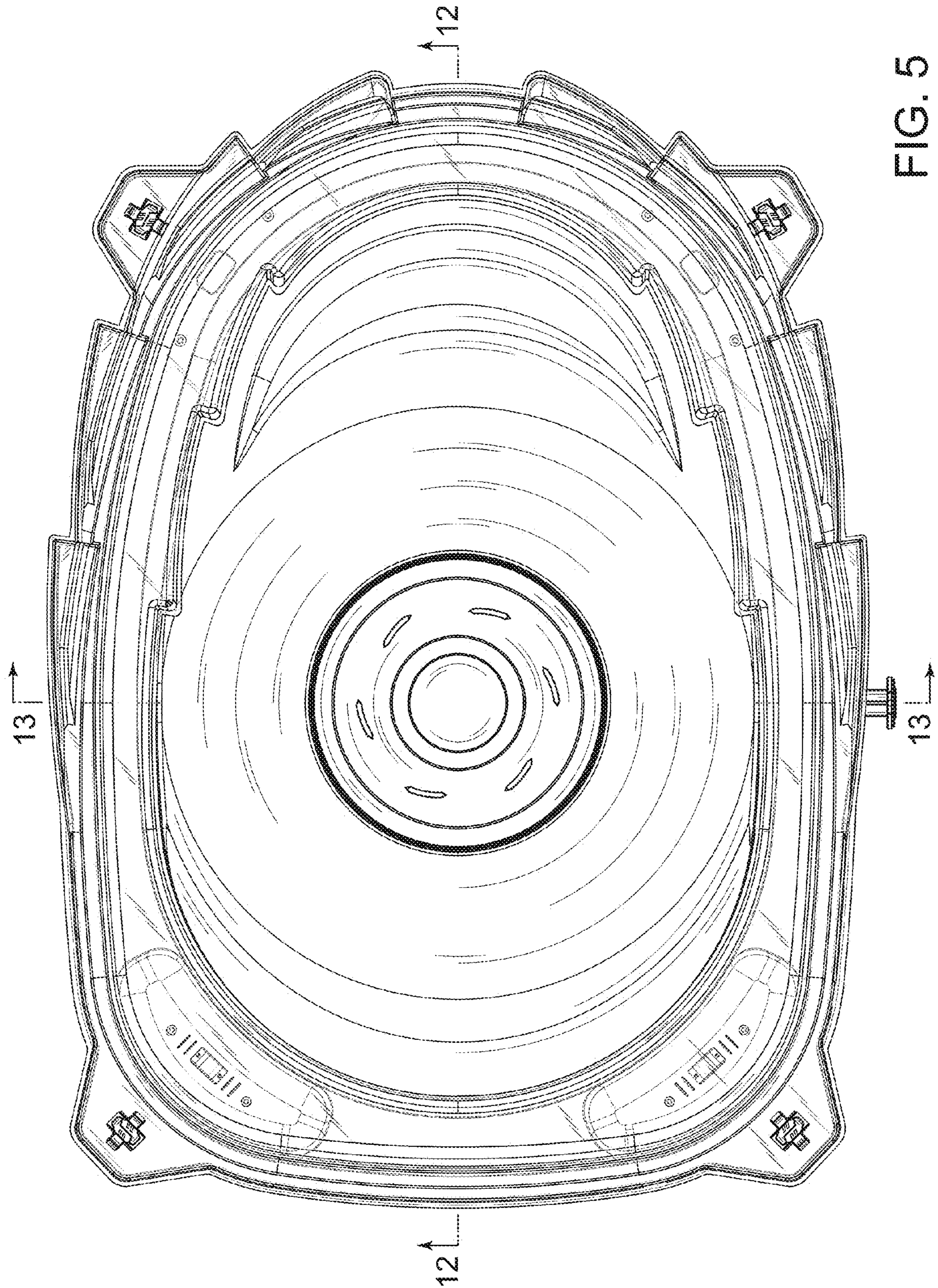


FIG. 5

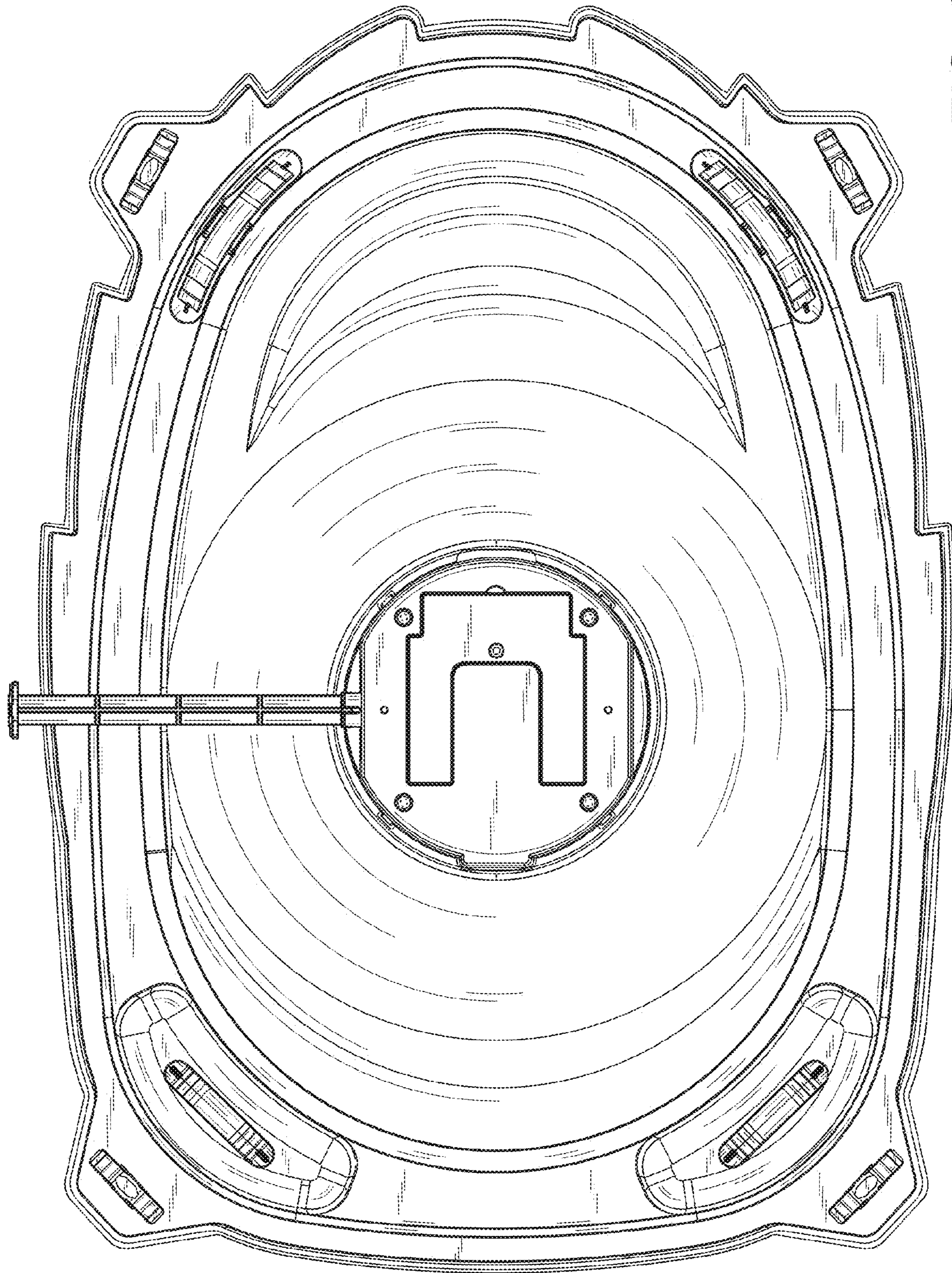


FIG. 6

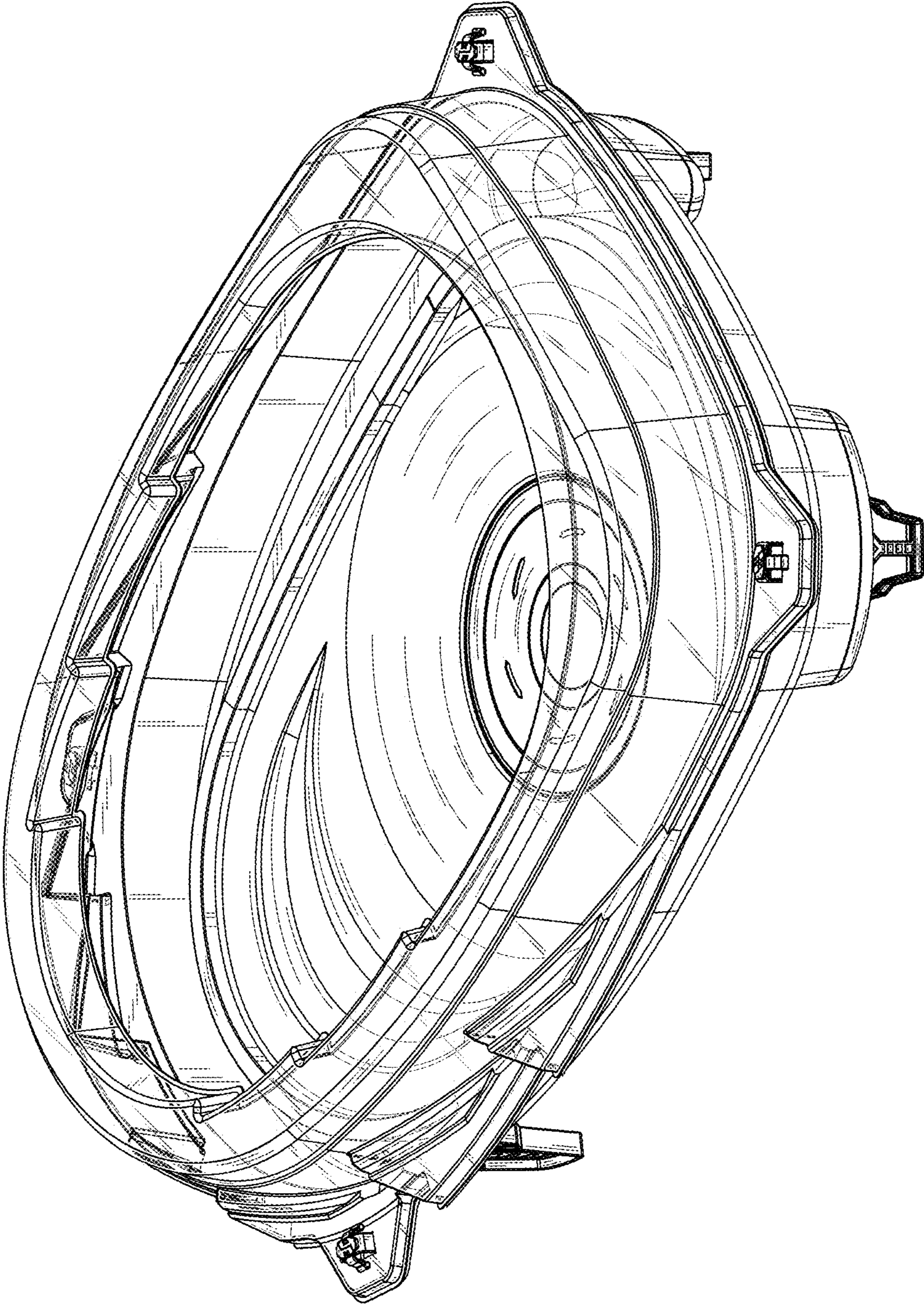


FIG. 7

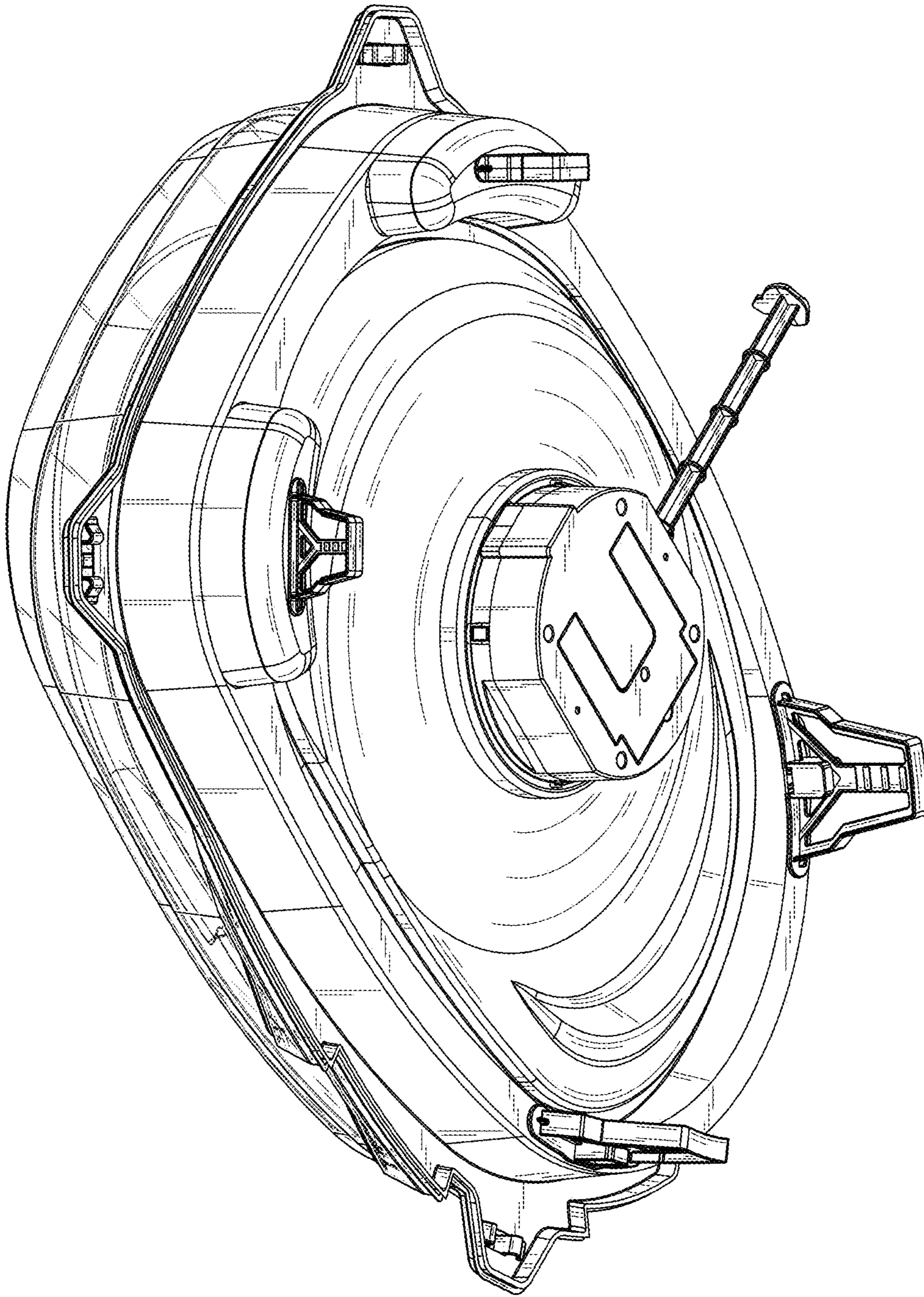


FIG. 8

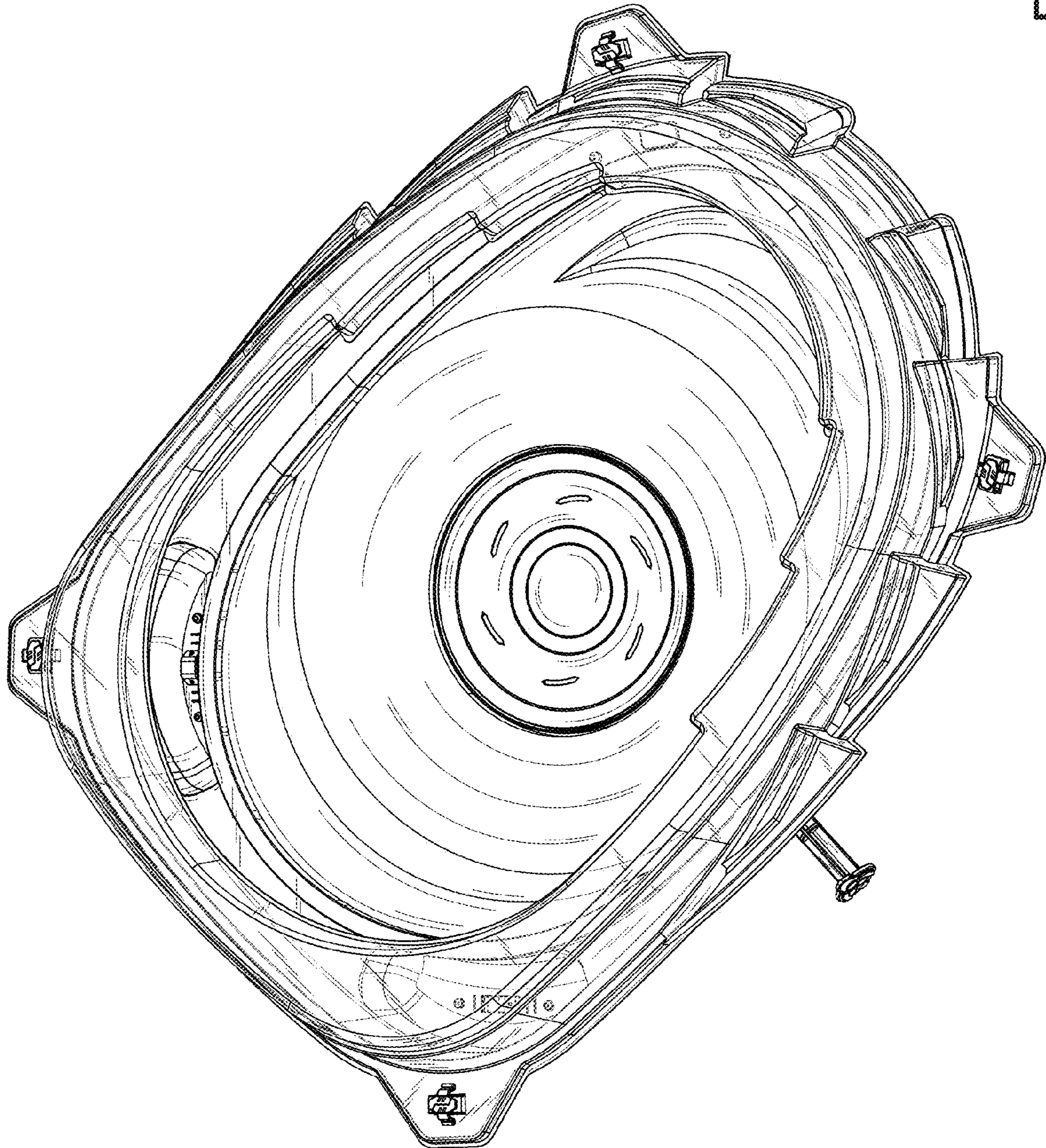


FIG. 9

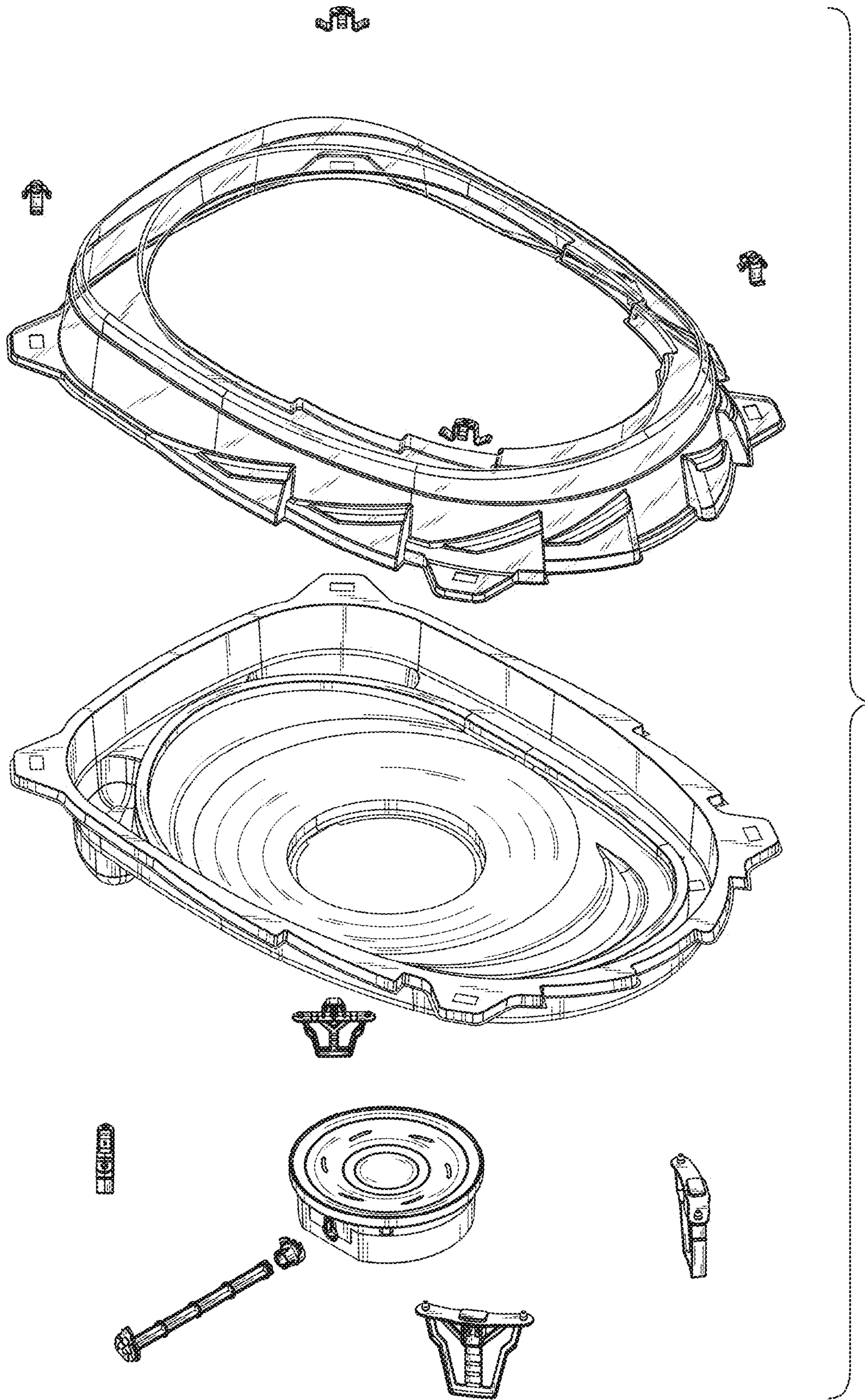


FIG. 10

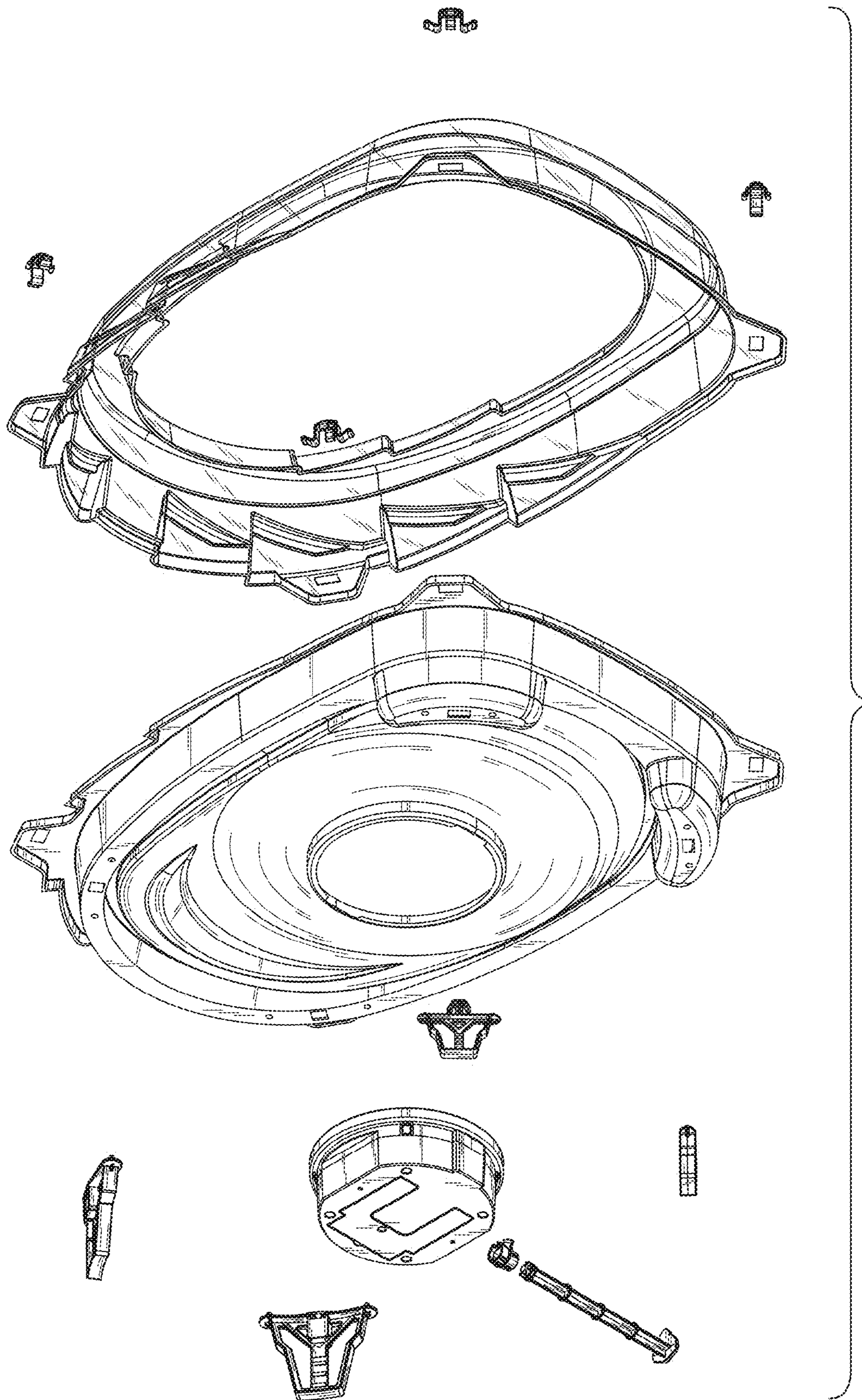


FIG. 11

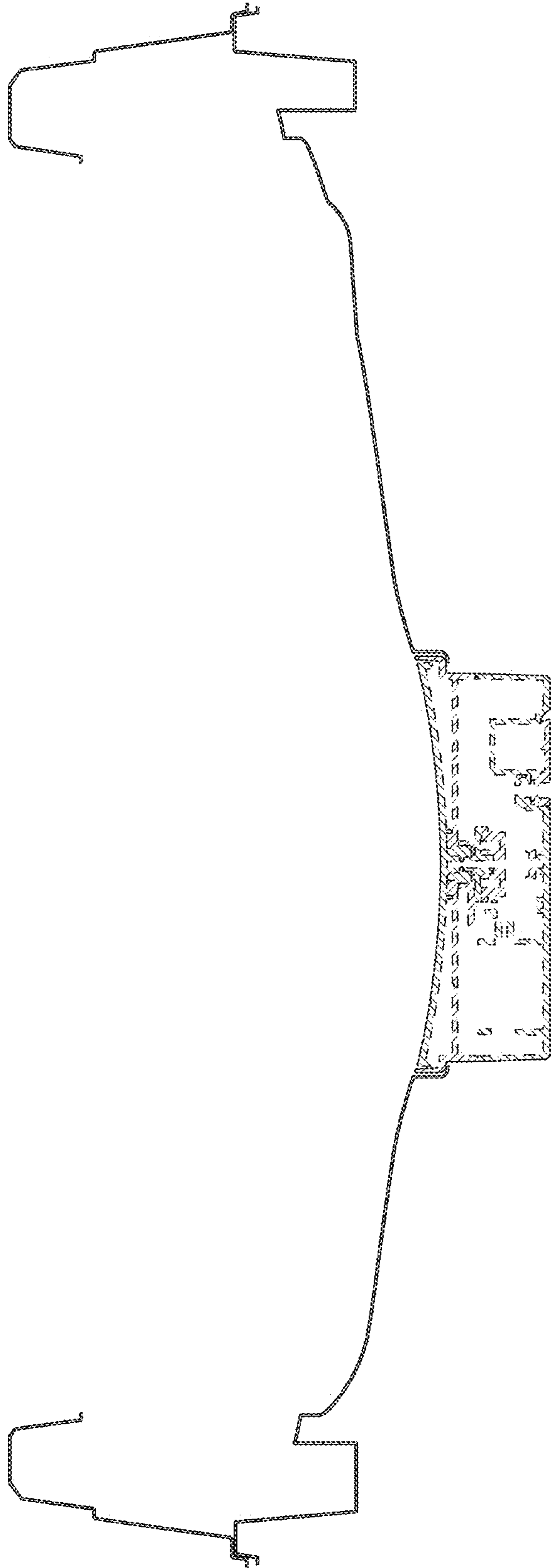


FIG. 12

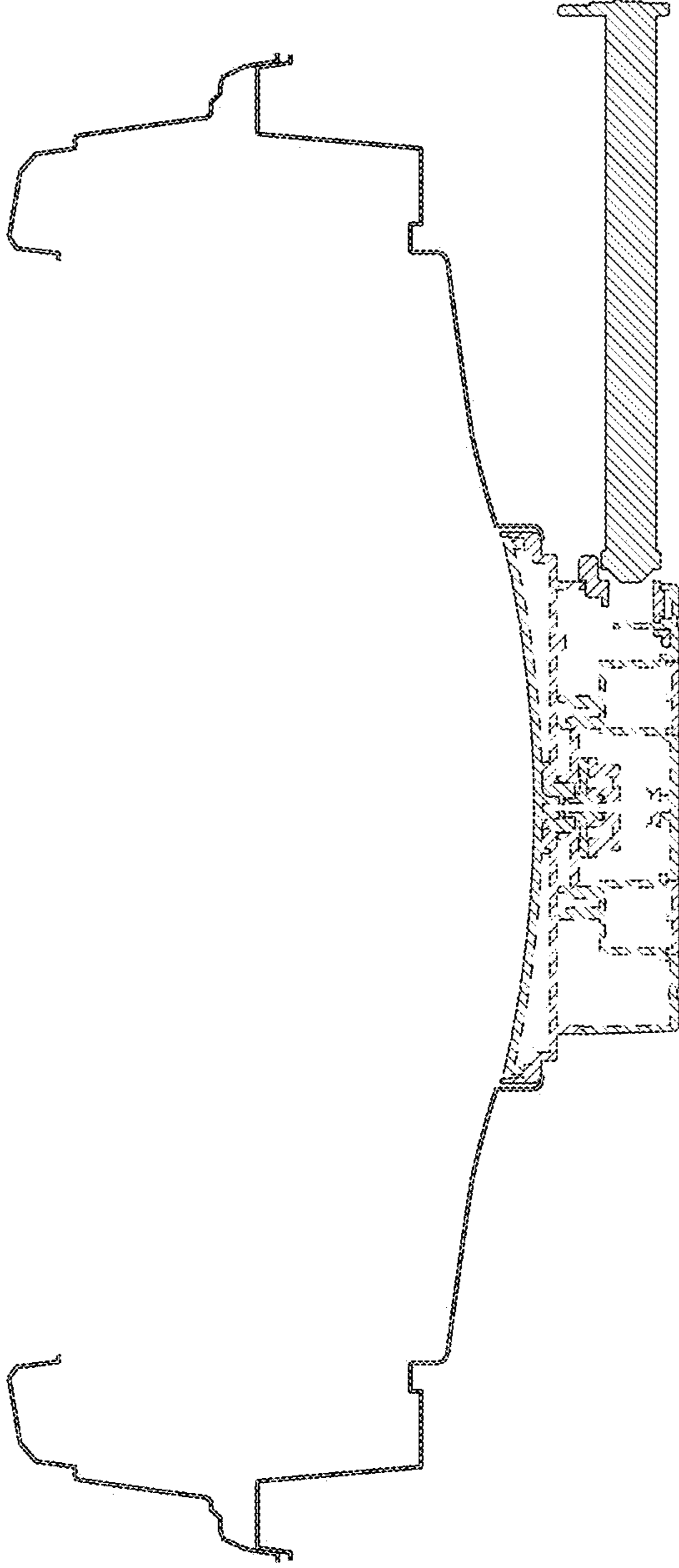


FIG. 13

FIG. 14

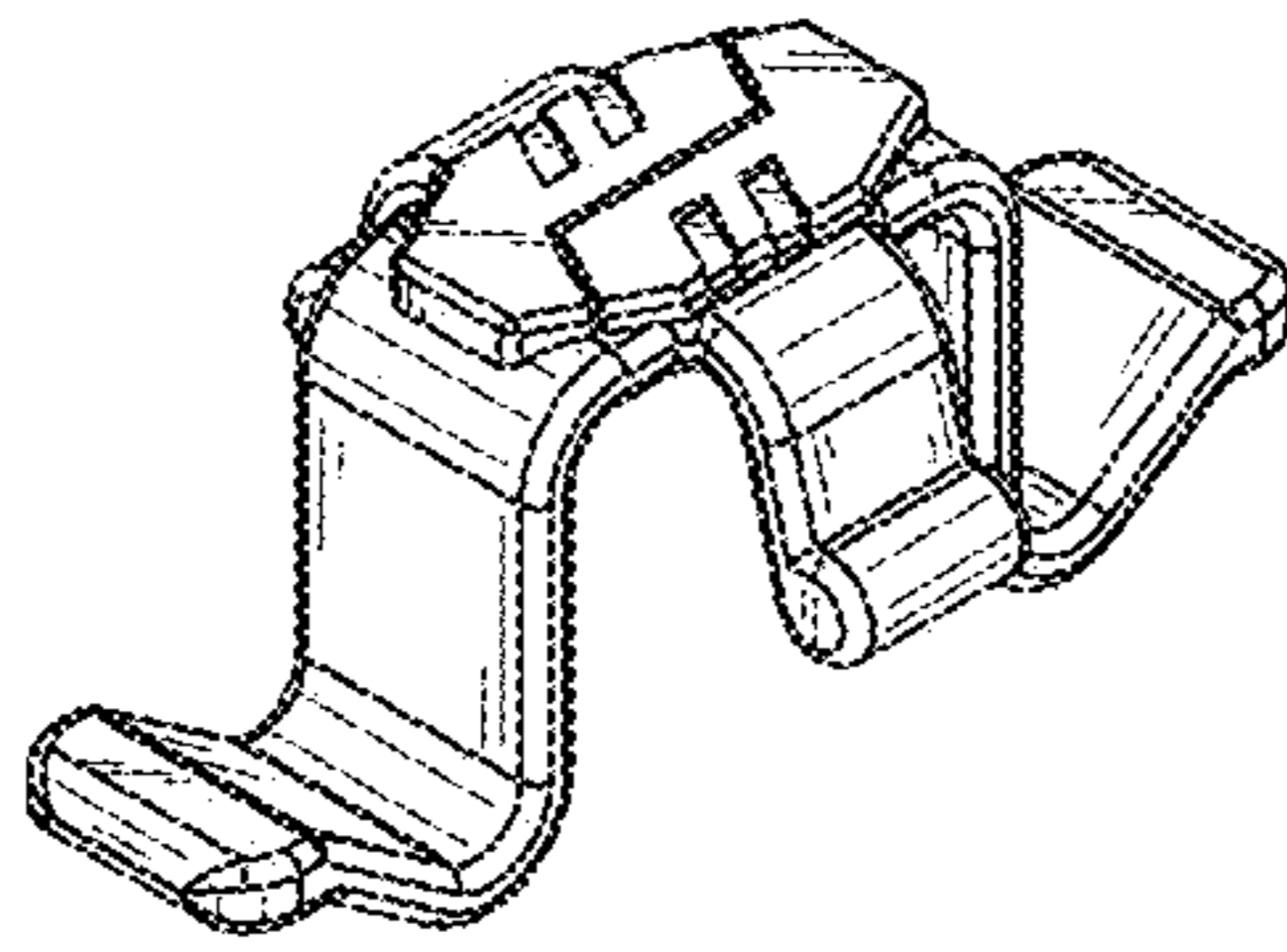


FIG. 15

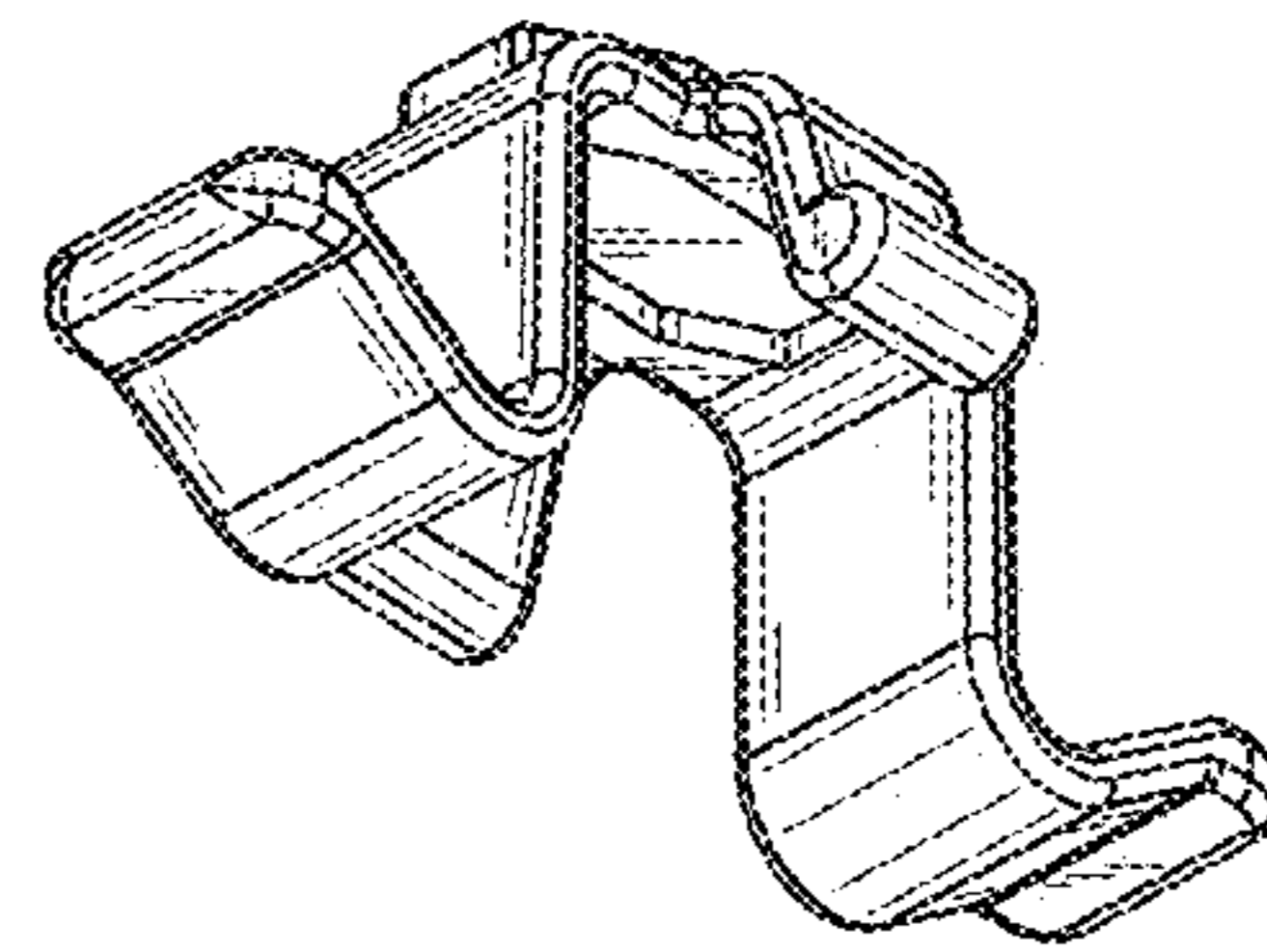


FIG. 16

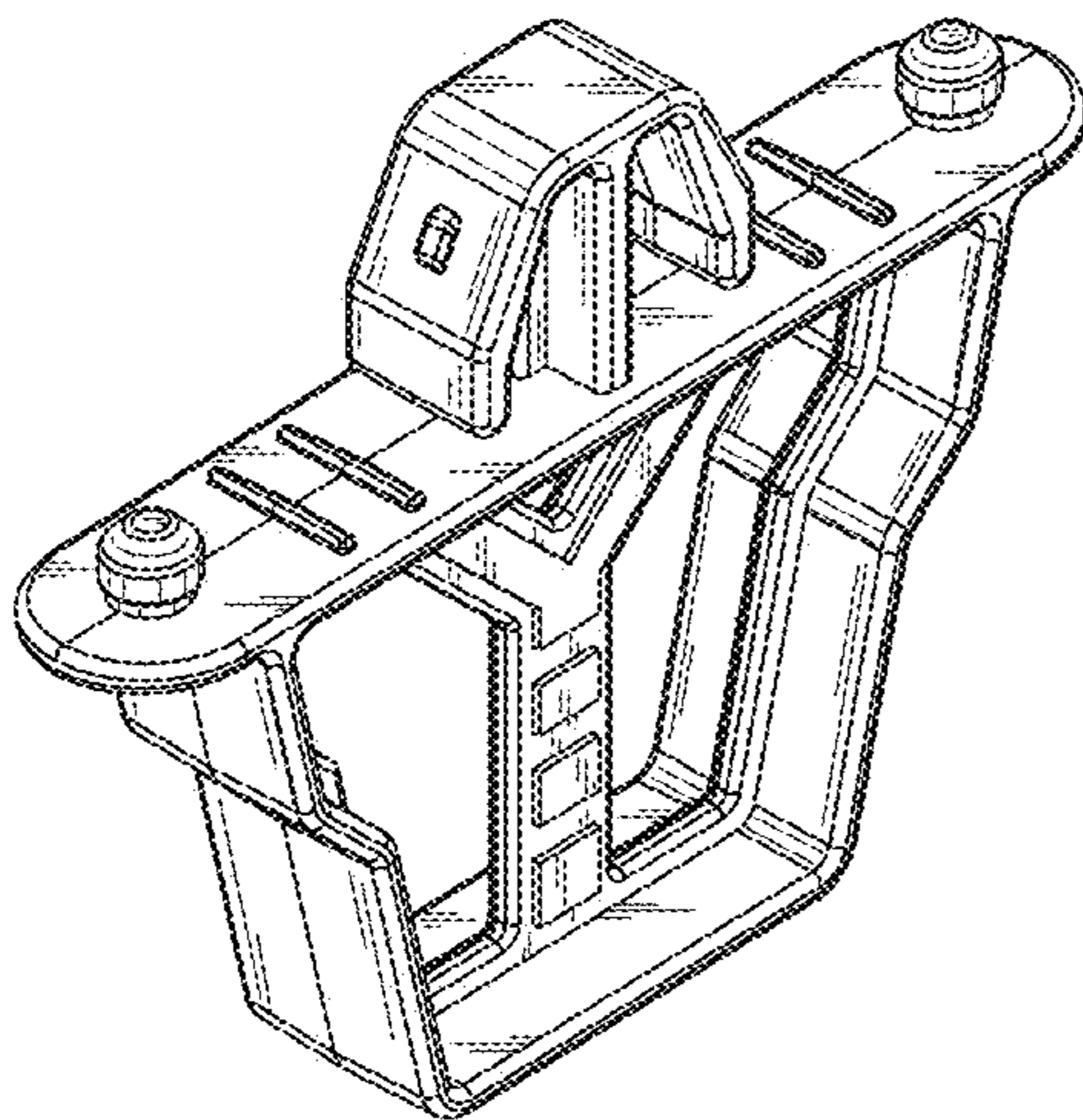


FIG. 17

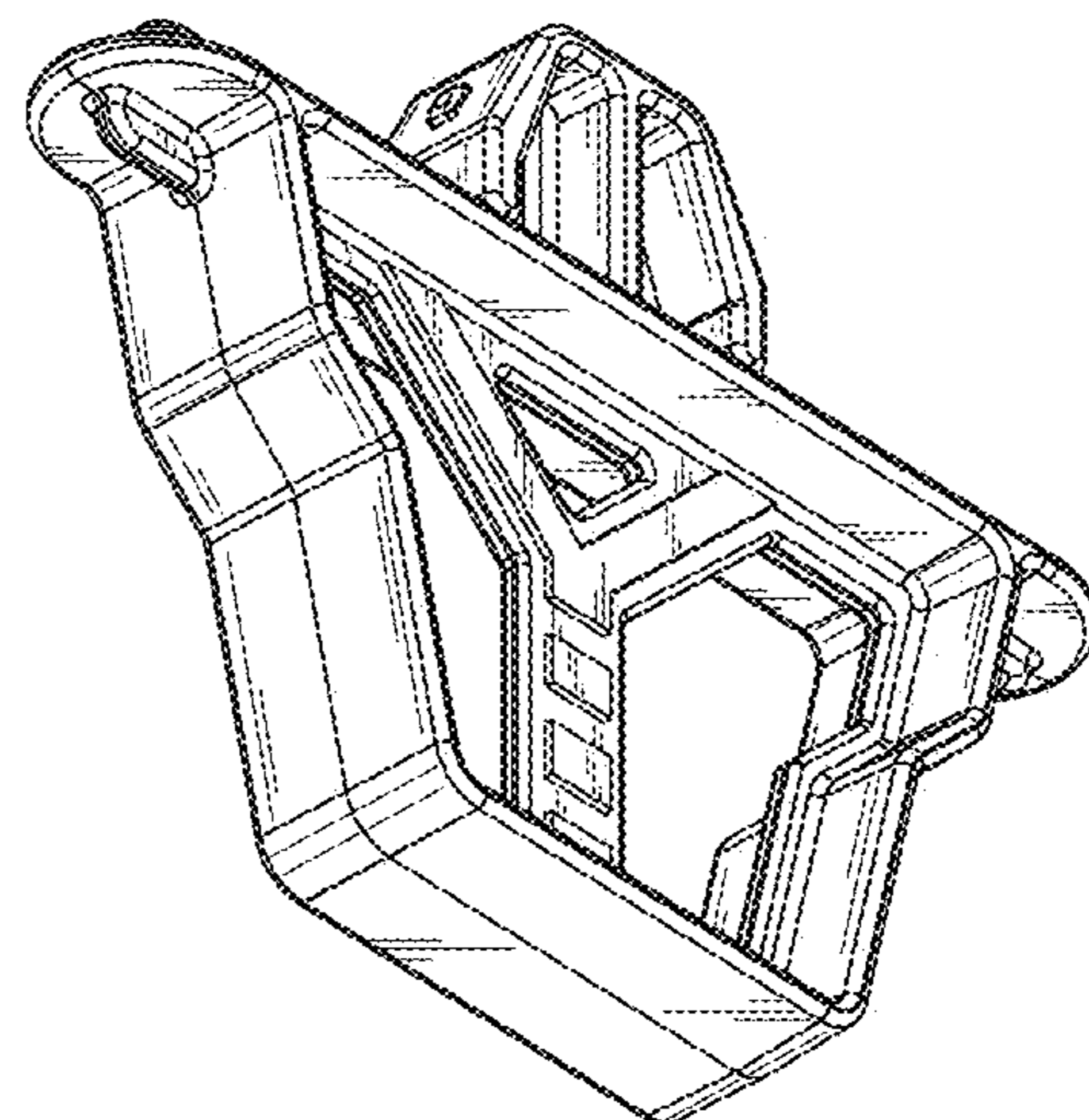


FIG. 18

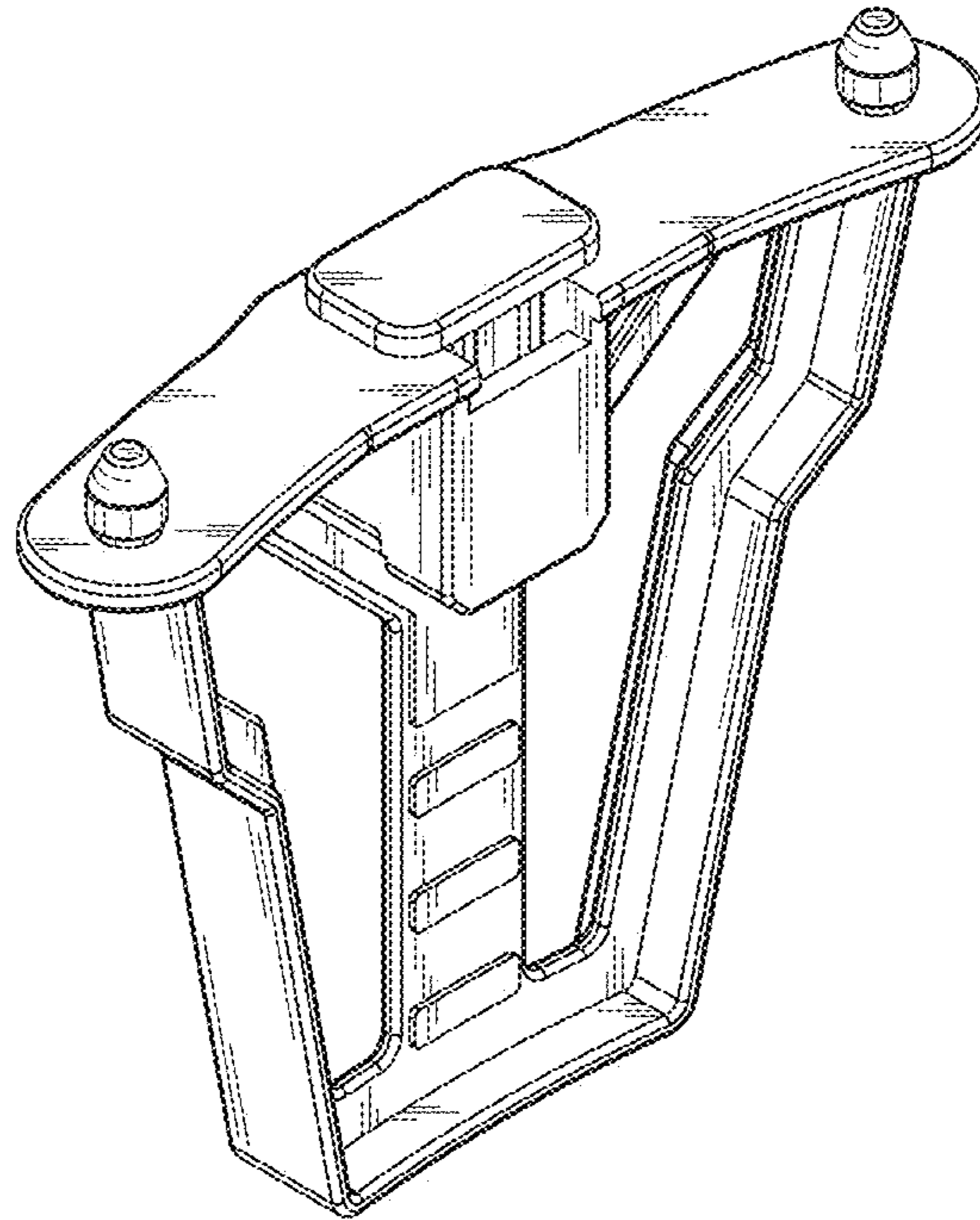


FIG. 19

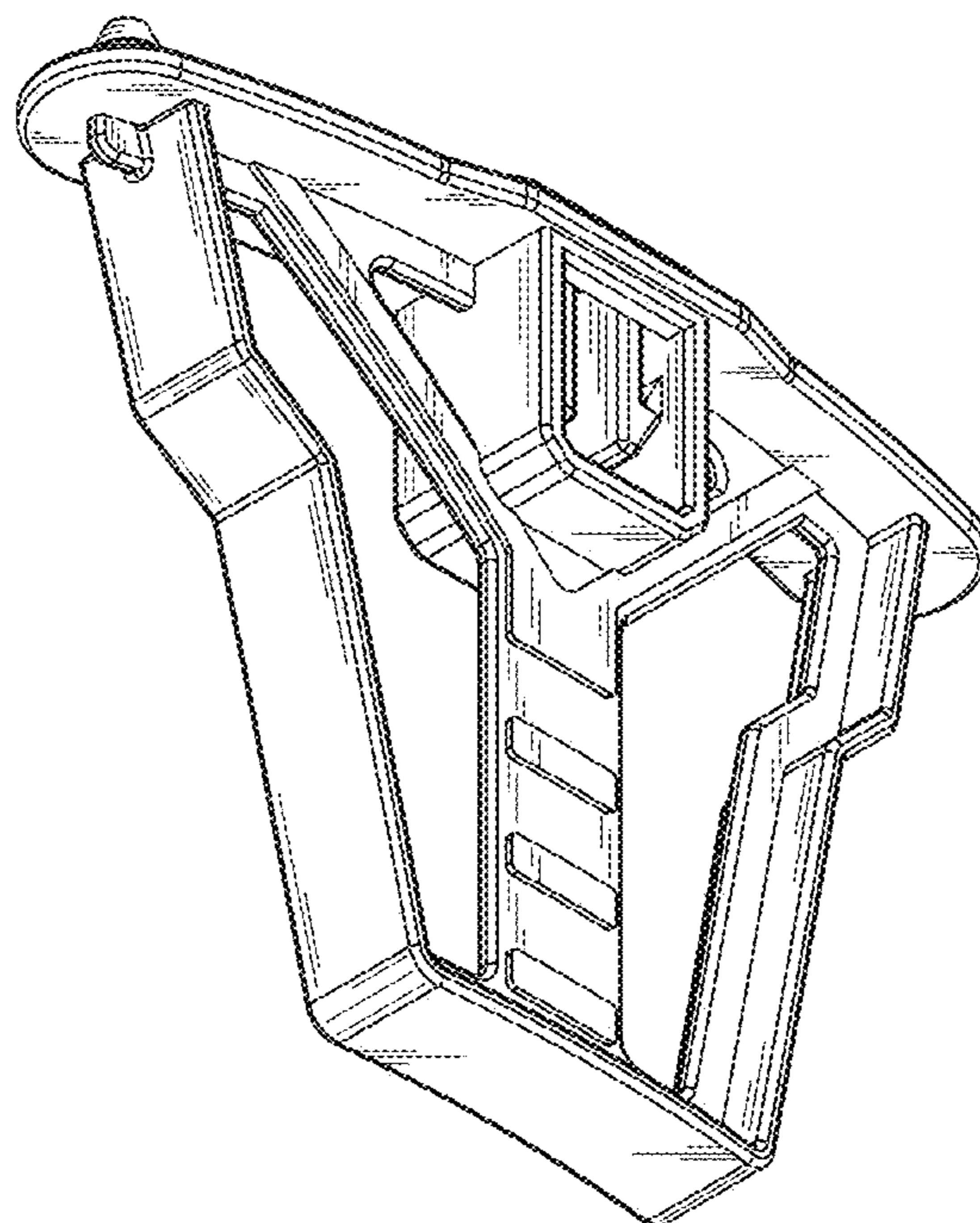


FIG. 20

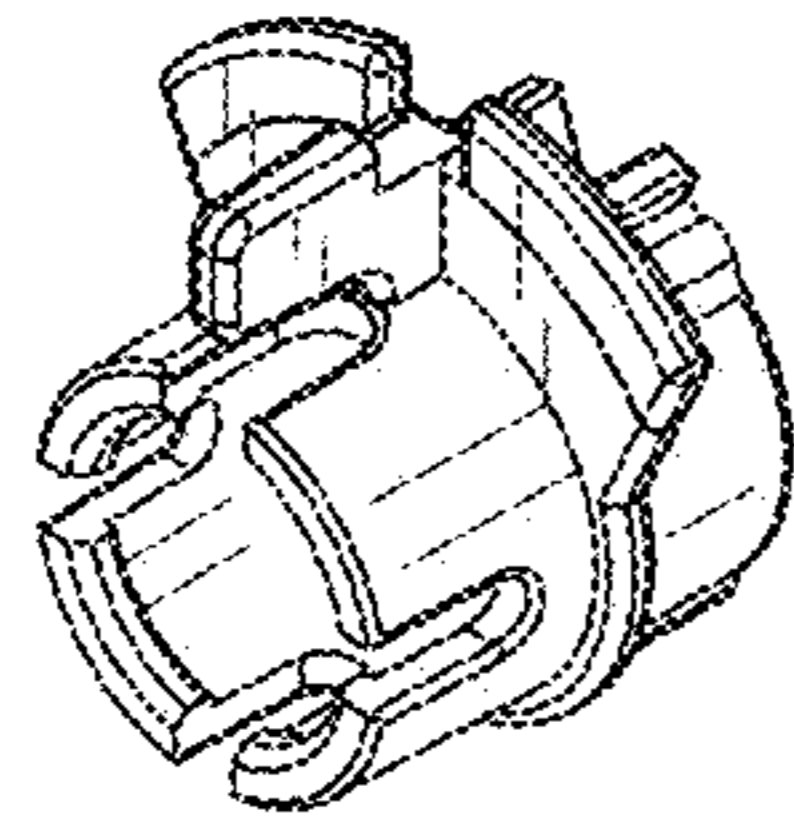


FIG. 21

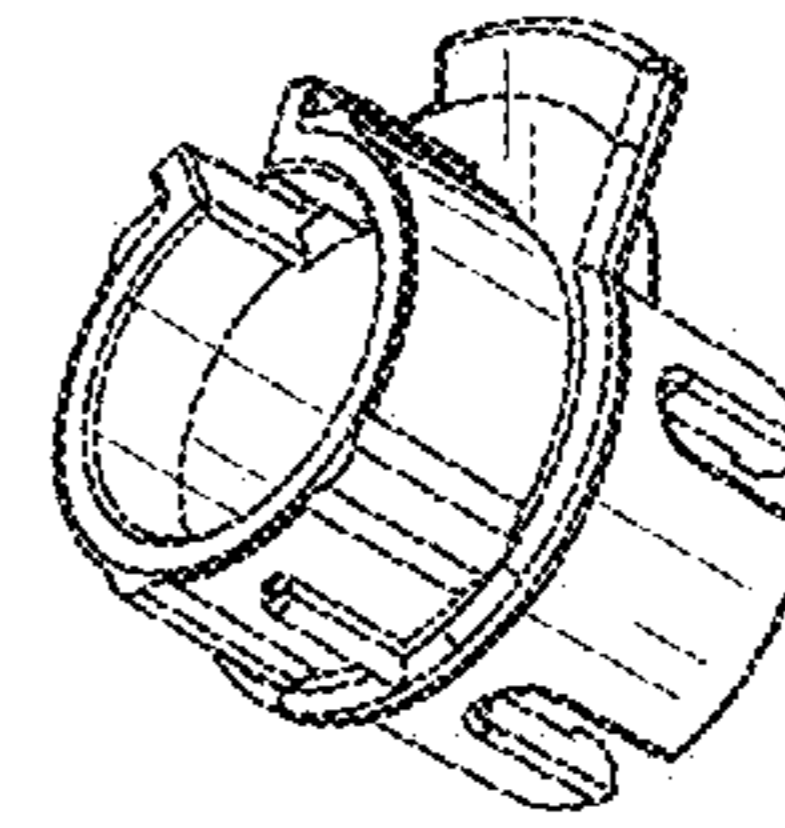


FIG. 22

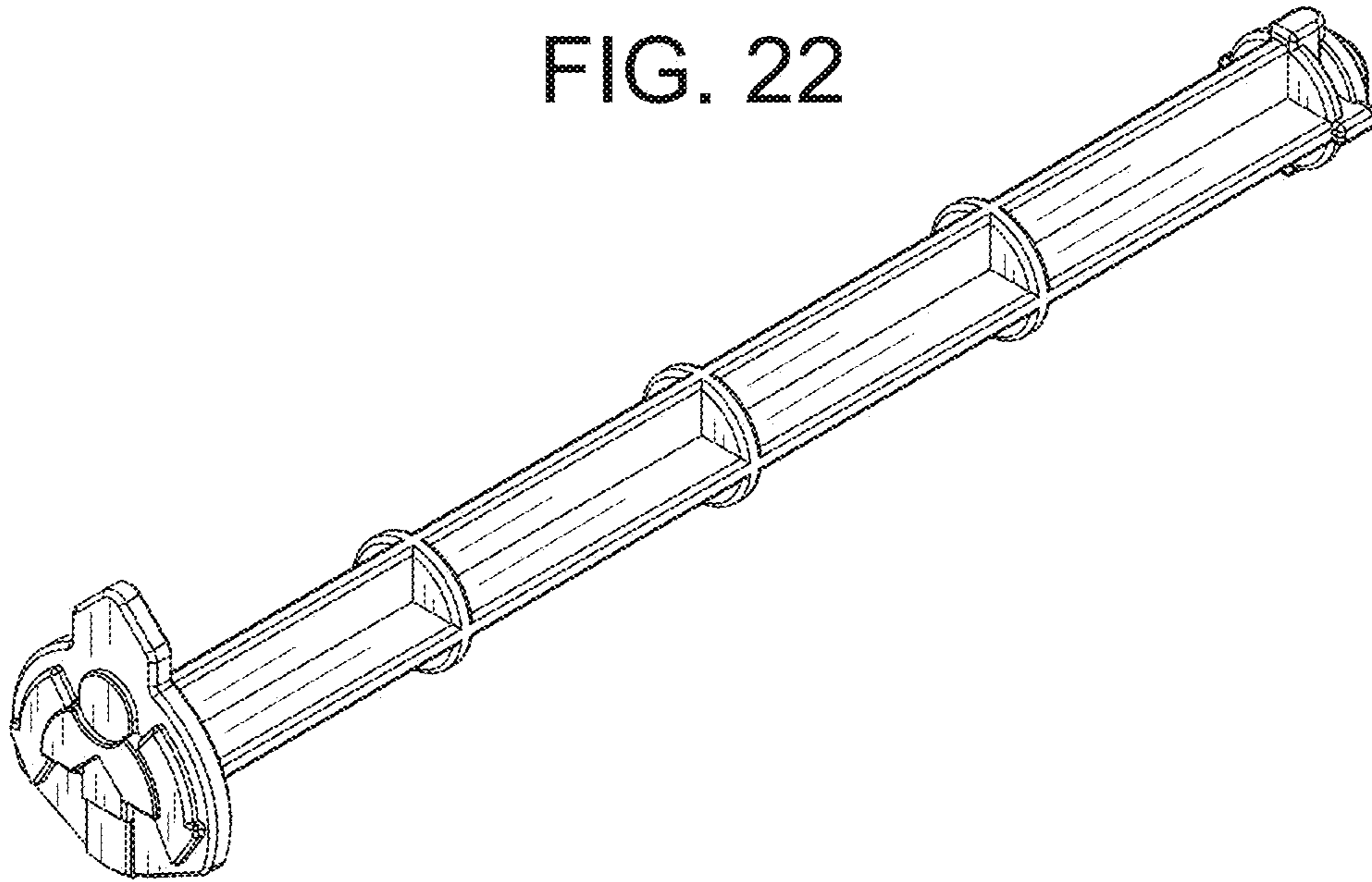


FIG. 23

