

US00D970634S

(12) **United States Design Patent** (10) **Patent No.:** **US D970,634 S**
Cai (45) **Date of Patent:** **** Nov. 22, 2022**

(54) **BALLOON EJECTOR** 5,588,896 A * 12/1996 Goodman A63H 27/10
 446/187
 (71) Applicant: **Shantou Chenghai Bangrui Trading** D550,781 S * 9/2007 Laurienzo D21/454
Co., Ltd., Shantou (CN) D574,442 S * 8/2008 Higuchi D21/454
 D759,164 S * 6/2016 Bei D21/454
 (72) Inventor: **Ruiyan Cai, Shantou (CN)** D856,455 S * 8/2019 He D22/106
 D873,925 S * 1/2020 Schumacher D21/454

(73) Assignee: **Shantou Chenghai Bangrui Trading** * cited by examiner
Co., Ltd., Shantou (CN)

(**) Term: **15 Years**

Primary Examiner — John A Voytek

(21) Appl. No.: **29/758,614**

(74) *Attorney, Agent, or Firm* — Jeenam Park

(22) Filed: **Nov. 17, 2020**

(30) **Foreign Application Priority Data**

May 19, 2020 (CN) 202030230086.3

(51) **LOC (13) Cl.** **21-01**

(52) **U.S. Cl.**
 USPC **D21/454**

(58) **Field of Classification Search**
 USPC D12/1-4, 16.1, 319-345; D21/436-454;
 D24/130, 141

CPC B64C 39/024; B64C 13/16; B64C 19/00;
 B64C 2201/021; B64C 2201/141; B64H
 1/3442; B01L 3/02

See application file for complete search history.

(56) **References Cited**

U.S. PATENT DOCUMENTS

4,248,008 A * 2/1981 Pitkanen A63H 27/10
 446/224
 4,911,674 A * 3/1990 Cole A63H 27/10
 137/853

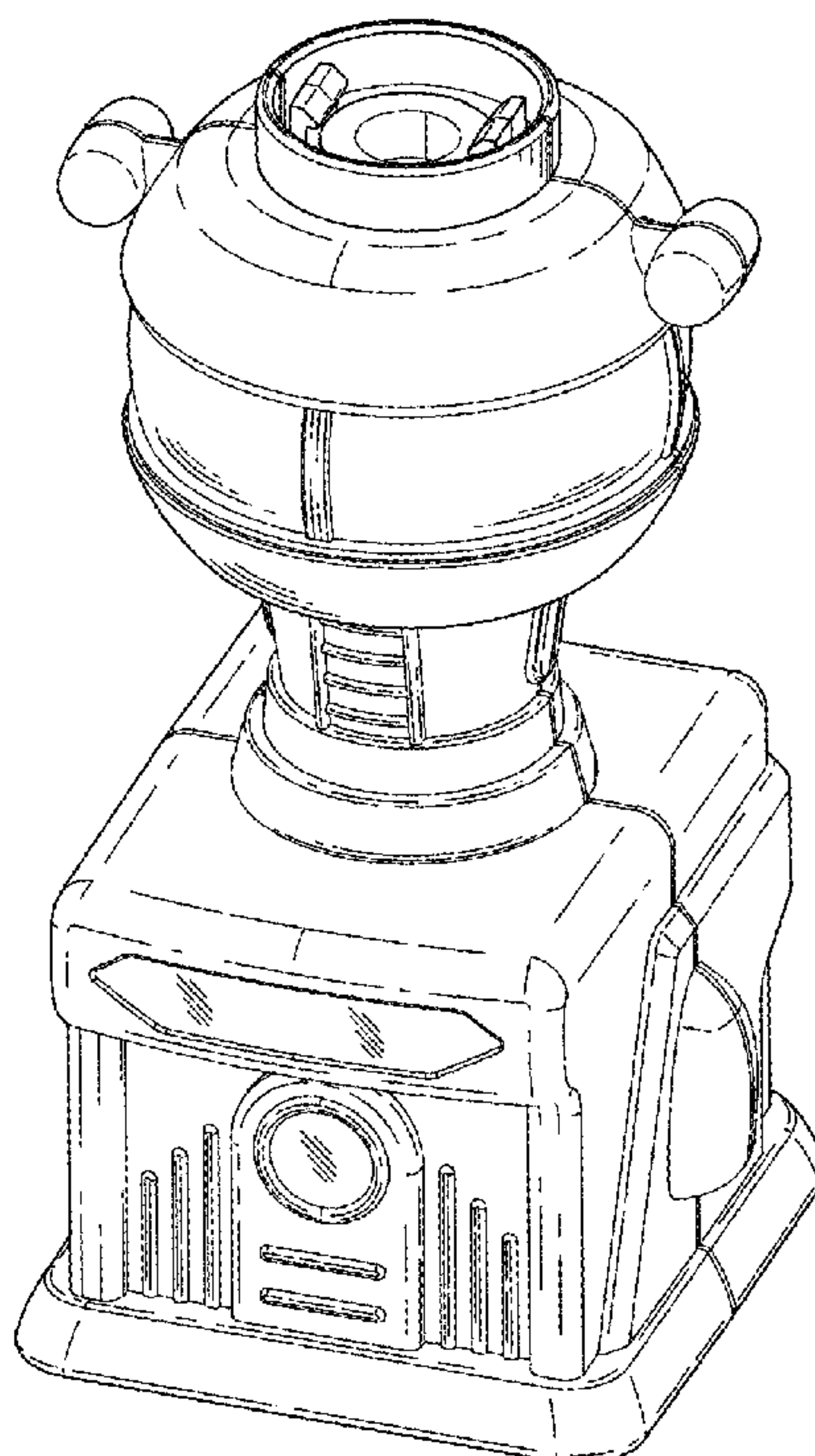
(57) **CLAIM**

The ornamental design for a balloon ejector, as shown and described.

DESCRIPTION

FIG. 1 is a perspective view of a balloon ejector showing my new design;
 FIG. 2 is a front view thereof;
 FIG. 3 is a rear view thereof;
 FIG. 4 is a left side view thereof;
 FIG. 5 is a right side view thereof;
 FIG. 6 is a top plan view thereof; and,
 FIG. 7 is a bottom plan view thereof.
 The evenly-broken lines where present illustrate portions of the balloon ejector that form no part of the claimed design.

1 Claim, 7 Drawing Sheets



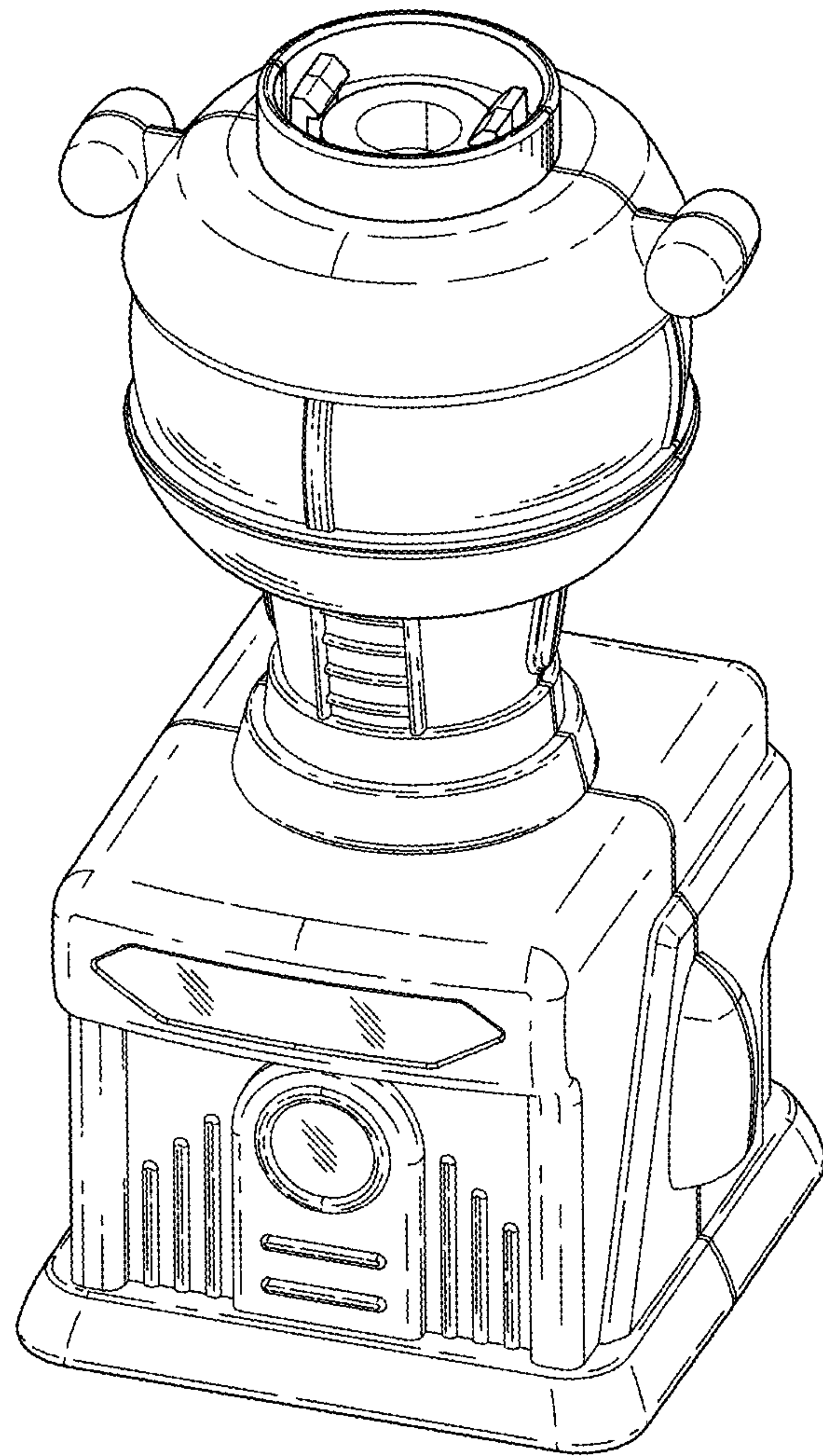


FIG. 1

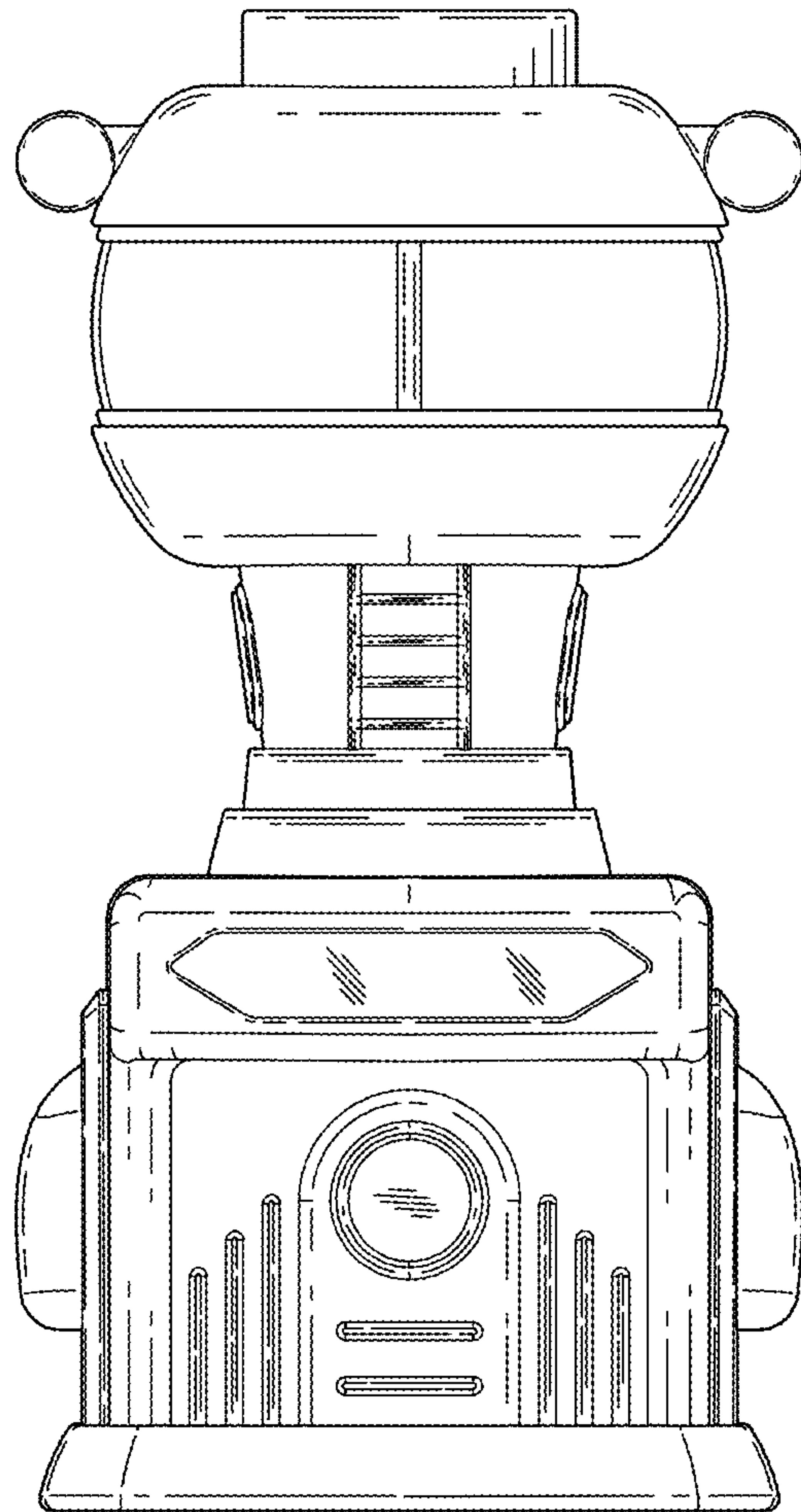


FIG. 2

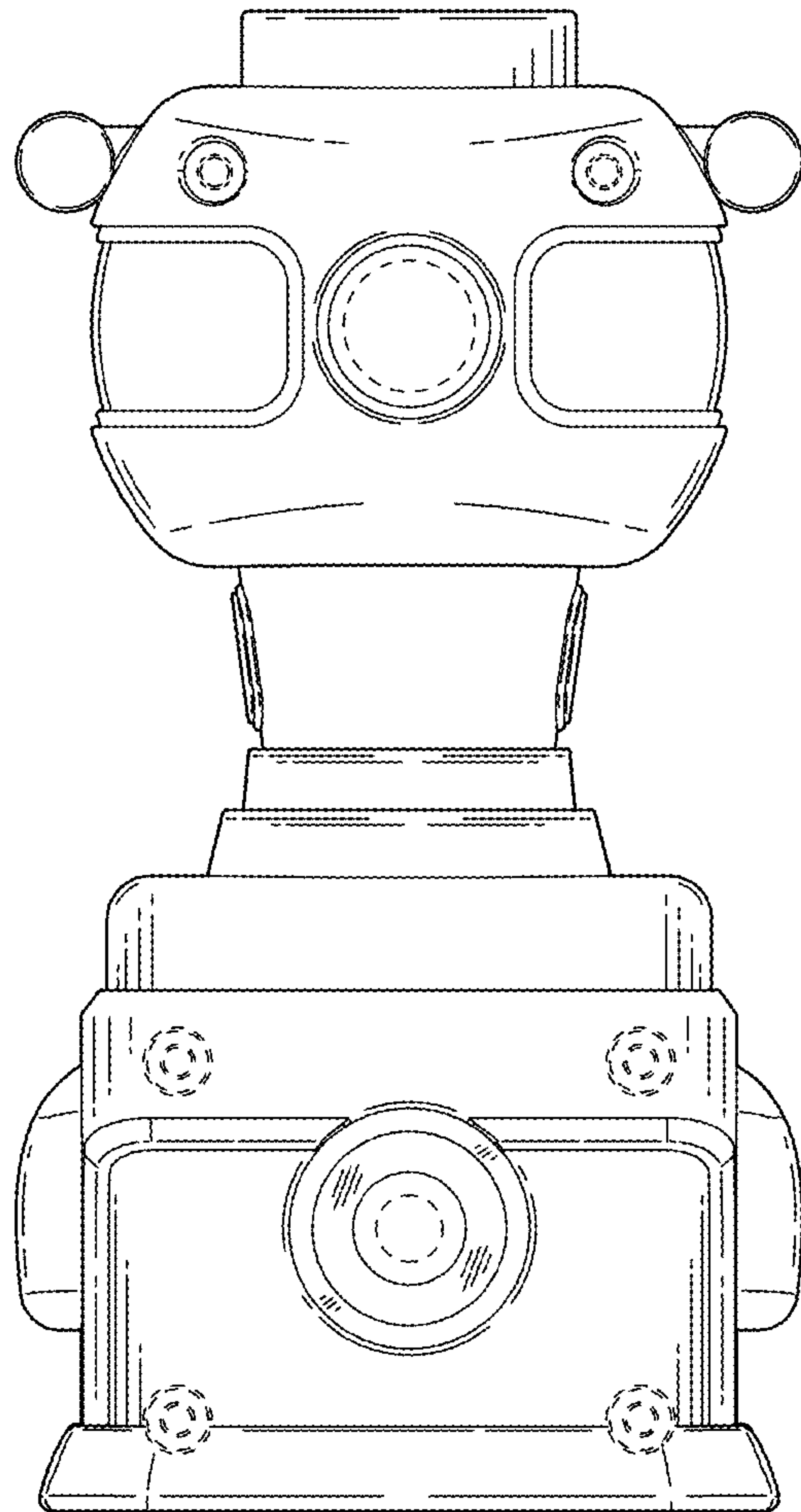


FIG. 3

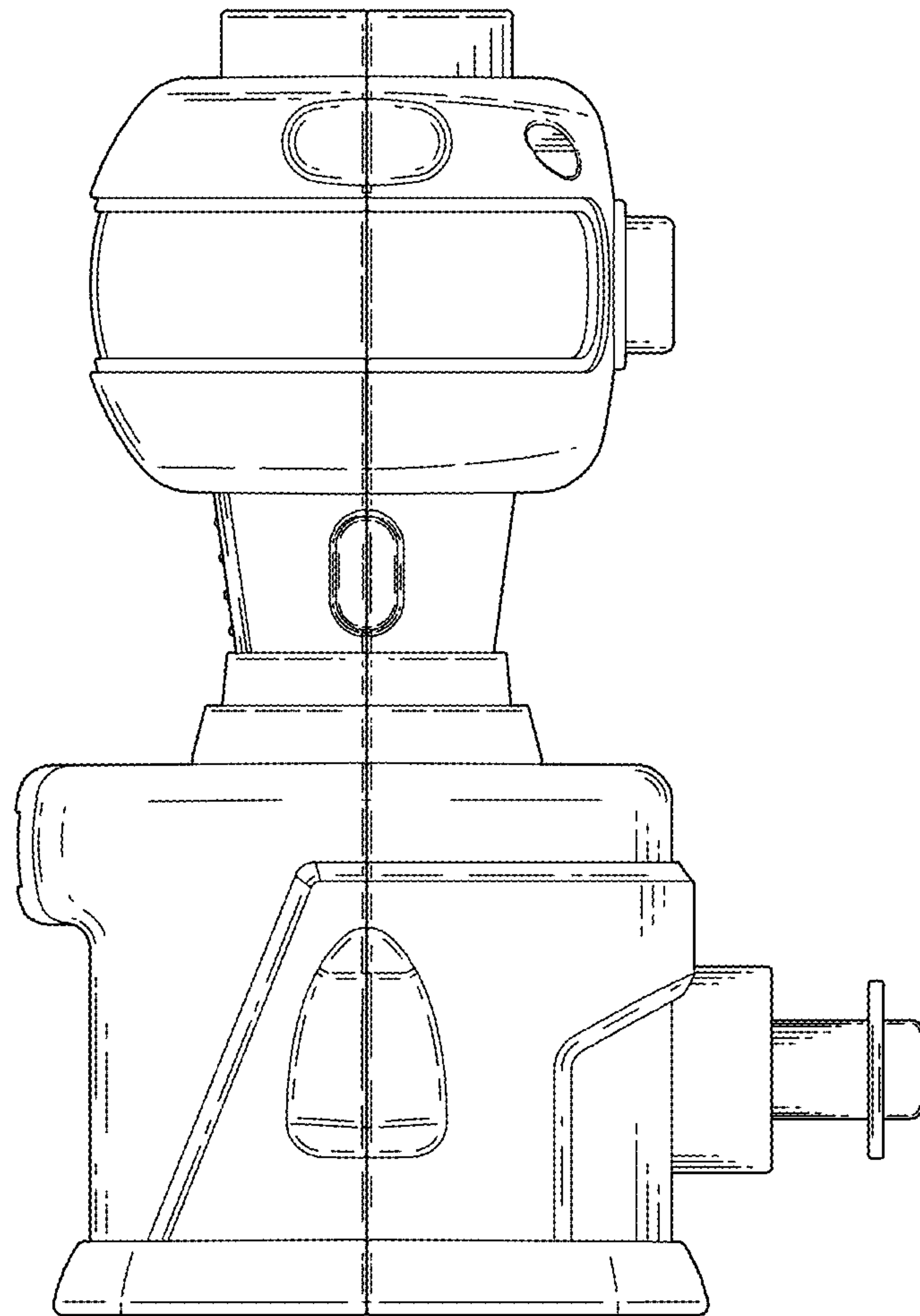


FIG. 4

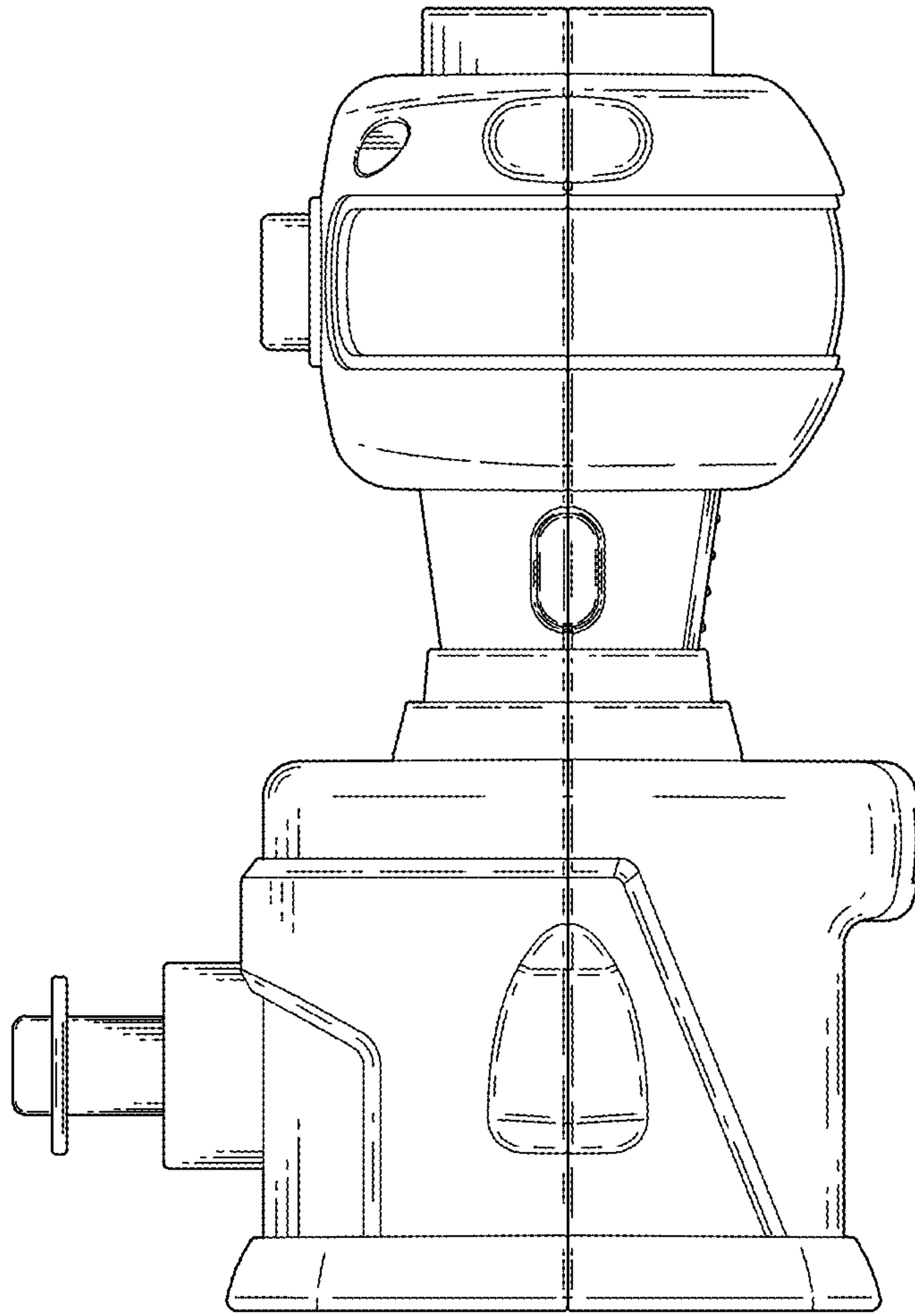


FIG. 5

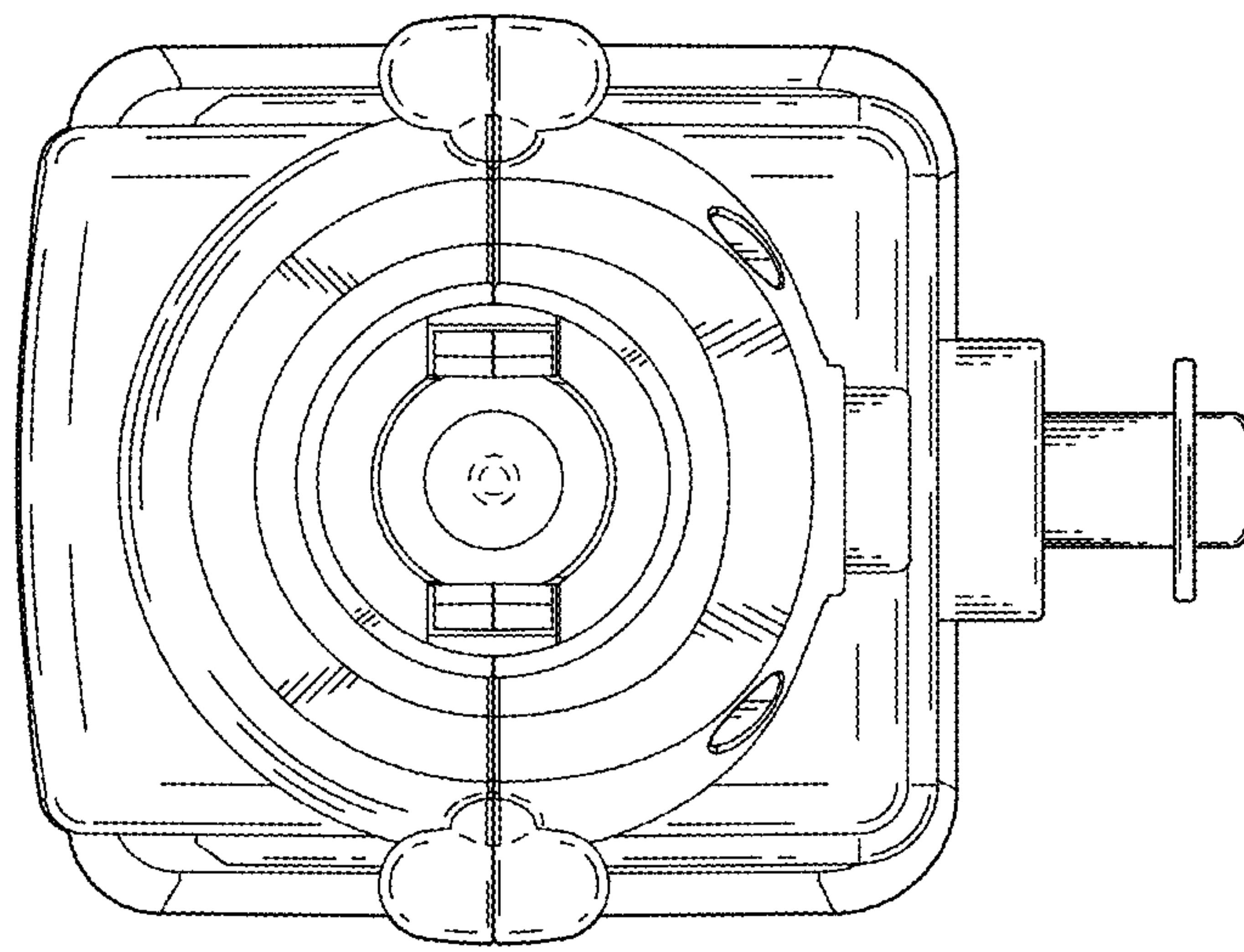


FIG. 6

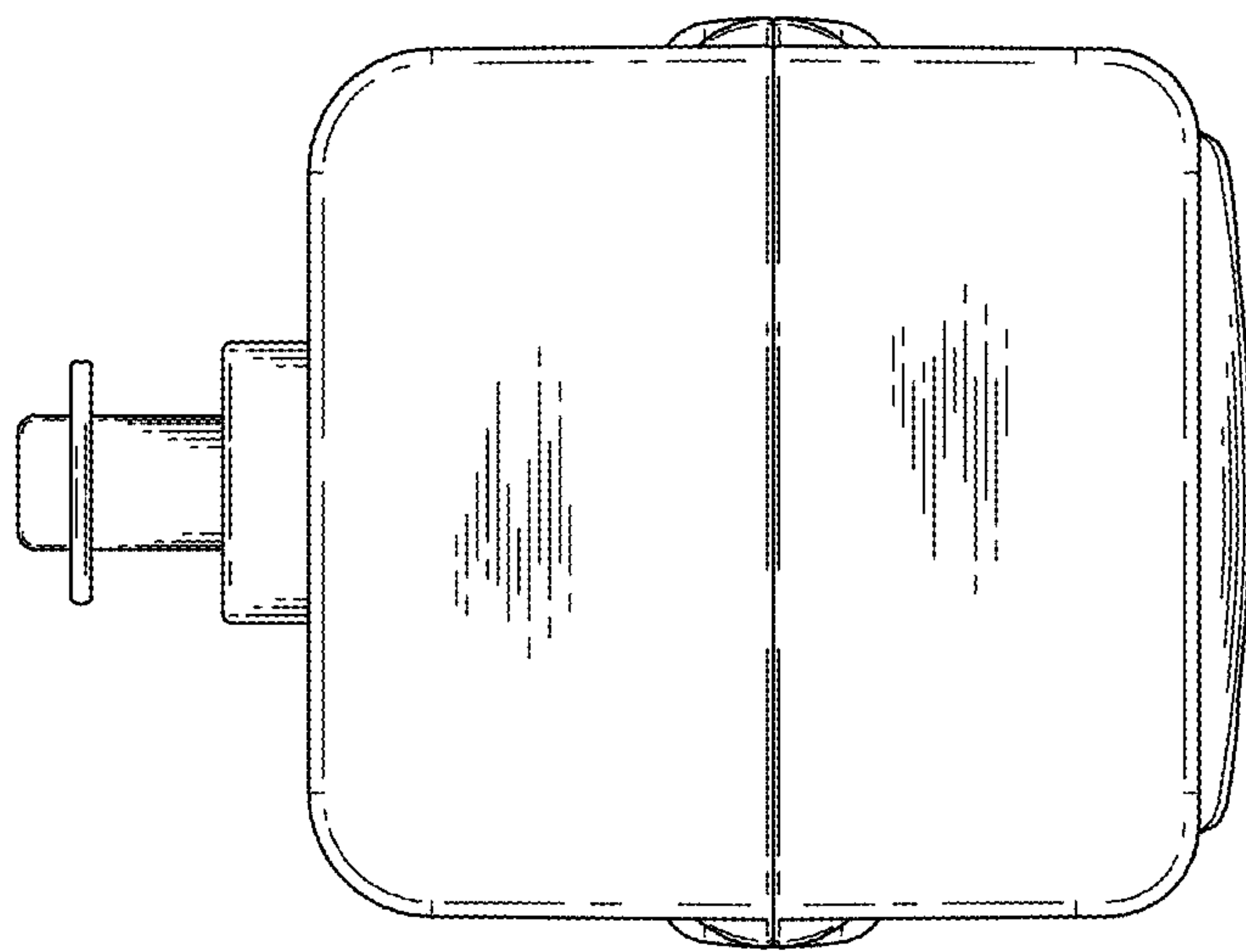


FIG. 7