



US00D970632S

(12) **United States Design Patent** (10) **Patent No.:** **US D970,632 S**
Li (45) **Date of Patent:** **** Nov. 22, 2022**

(54) **TOY AEROPLANE**
(71) Applicant: **Bin Li**, Guangdong (CN)
(72) Inventor: **Bin Li**, Guangdong (CN)
(**) Term: **15 Years**
(21) Appl. No.: **29/792,385**
(22) Filed: **Mar. 25, 2022**
(51) **LOC (13) Cl.** **21-01**
(52) **U.S. Cl.**
USPC **D21/430**
(58) **Field of Classification Search**
USPC D12/1, 2, 3, 4, 16.1, 174, 319–345;
D21/436–455
CPC B64C 29/0033; B64C 2201/021; B64C
29/02; B64C 2201/088; B64C 2201/104;
B64C 2201/141
See application file for complete search history.

D588,807 S * 3/2009 Azman D9/673
D632,345 S 2/2011 Yuen
D801,856 S * 11/2017 Zhou D12/326
D837,897 S * 1/2019 Mayson D21/430
D923,106 S * 6/2021 Li D21/430

OTHER PUBLICATIONS

NASA Space Shuttle Toy [Aug. 22, 2022 [found online [Aug. 22, 2022]—<https://shop.rmg.co.uk/products/nasa-space-shuttle-toy>.*

* cited by examiner

Primary Examiner — John A Voytek

(57) **CLAIM**

The ornamental design for a toy aeroplane, as shown and described.

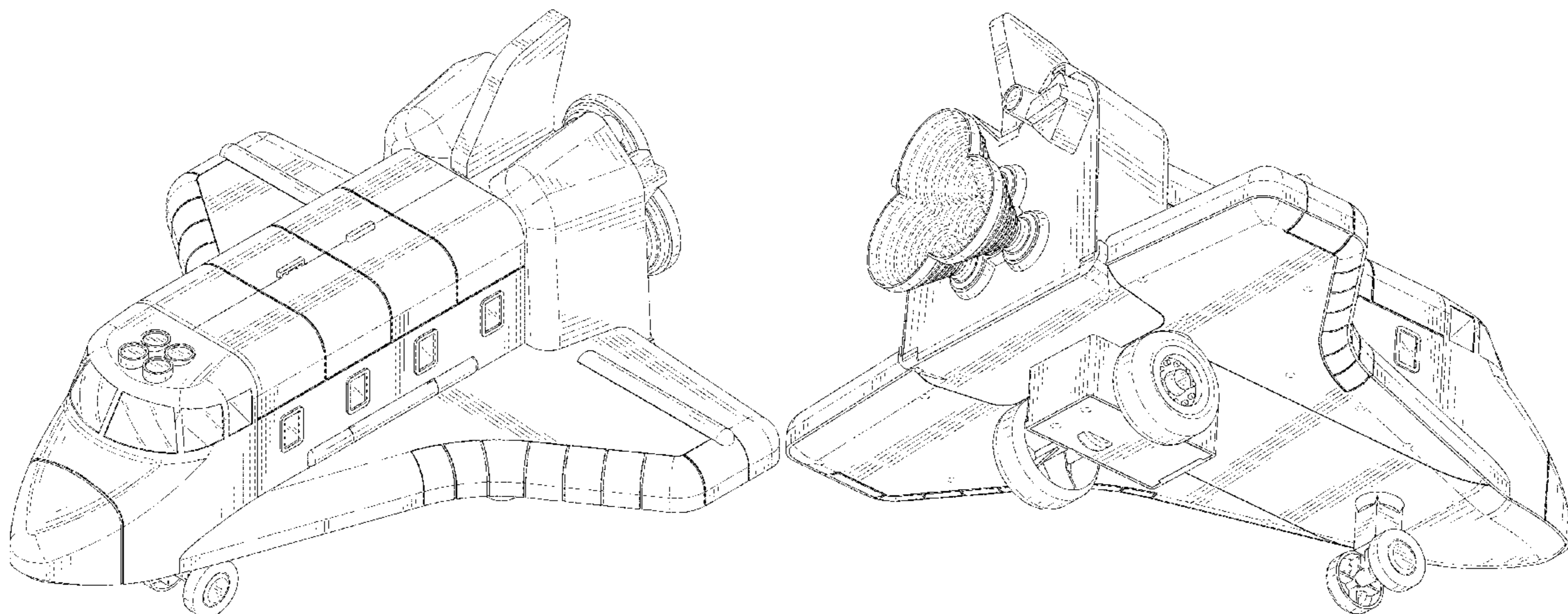
DESCRIPTION

FIG. 1 is a front and top perspective view of a toy aeroplane, showing my new design;
FIG. 2 is a rear and bottom perspective view thereof;
FIG. 3 is a front elevation view thereof;
FIG. 4 is a rear elevation view thereof;
FIG. 5 is a left side elevation view thereof;
FIG. 6 is a right side elevation view thereof;
FIG. 7 is a top plan view thereof;
FIG. 8 is a bottom plan view thereof;
FIG. 9 is another perspective view thereof, shown in an alternative position; and,
FIG. 10 is another perspective view thereof, shown in an alternative position.
The broken lines in the figures illustrate portions of the toy aeroplane that form no part of the claimed design.

(56) **References Cited**
U.S. PATENT DOCUMENTS

4,273,305 A * 6/1981 Hinds B64G 1/14
901/44
D261,286 S * 10/1981 Breneman D21/451
D283,144 S * 3/1986 Jensen D21/448
4,657,211 A * 4/1987 Fuldner B64G 1/646
D12/320
D293,806 S * 1/1988 Shibukawa D21/582
D299,231 S * 1/1989 Yeung D21/451
D310,944 S * 10/1990 Lutzker D21/451
D312,667 S * 12/1990 Visco D21/448
D317,184 S * 5/1991 Moomaw D21/451
D336,665 S * 6/1993 Tugendhaft D21/329
D405,750 S * 2/1999 Clapp D12/333
D449,658 S * 10/2001 Ma D21/448
D543,494 S * 5/2007 Hall D12/319

1 Claim, 10 Drawing Sheets



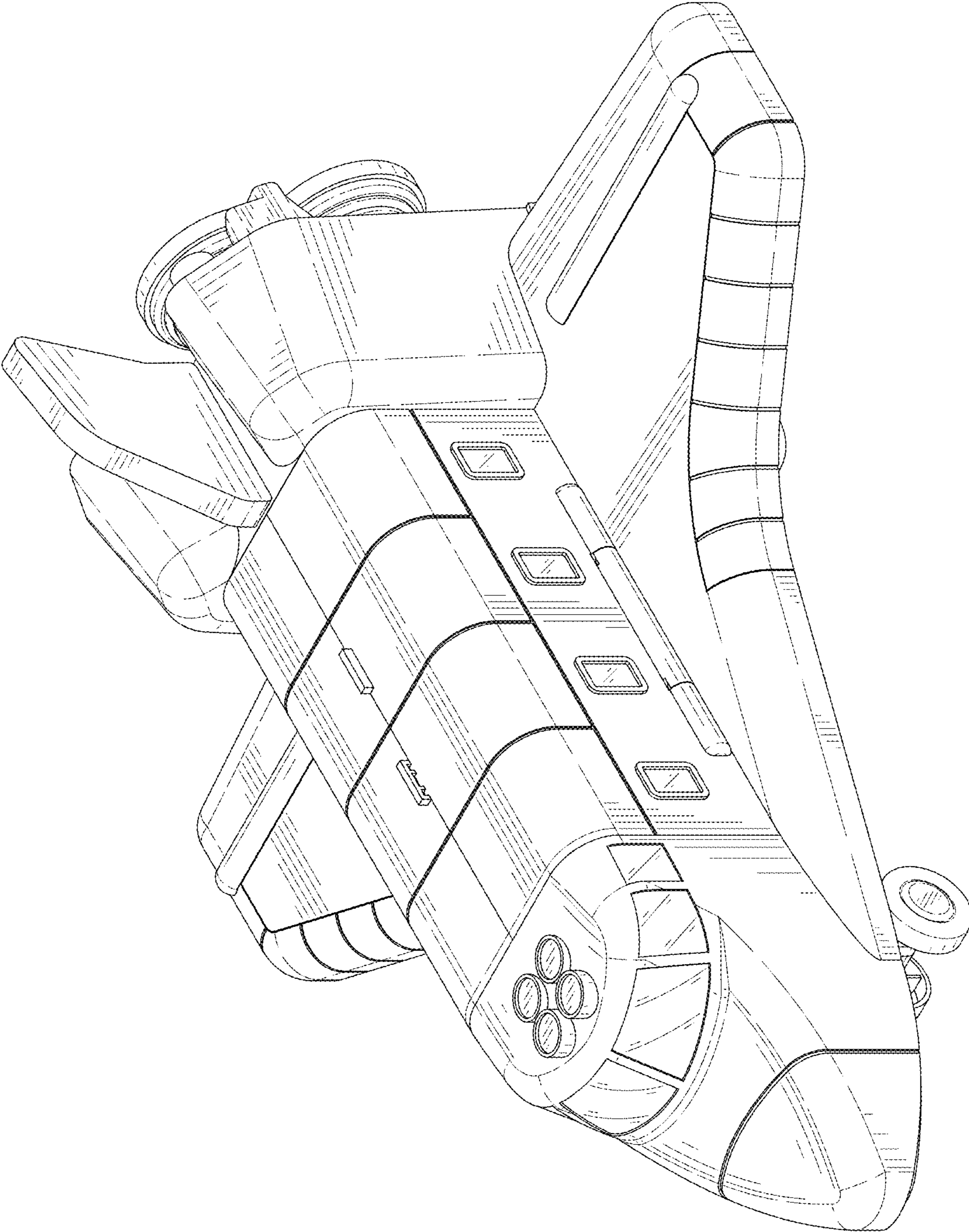


FIG. 1

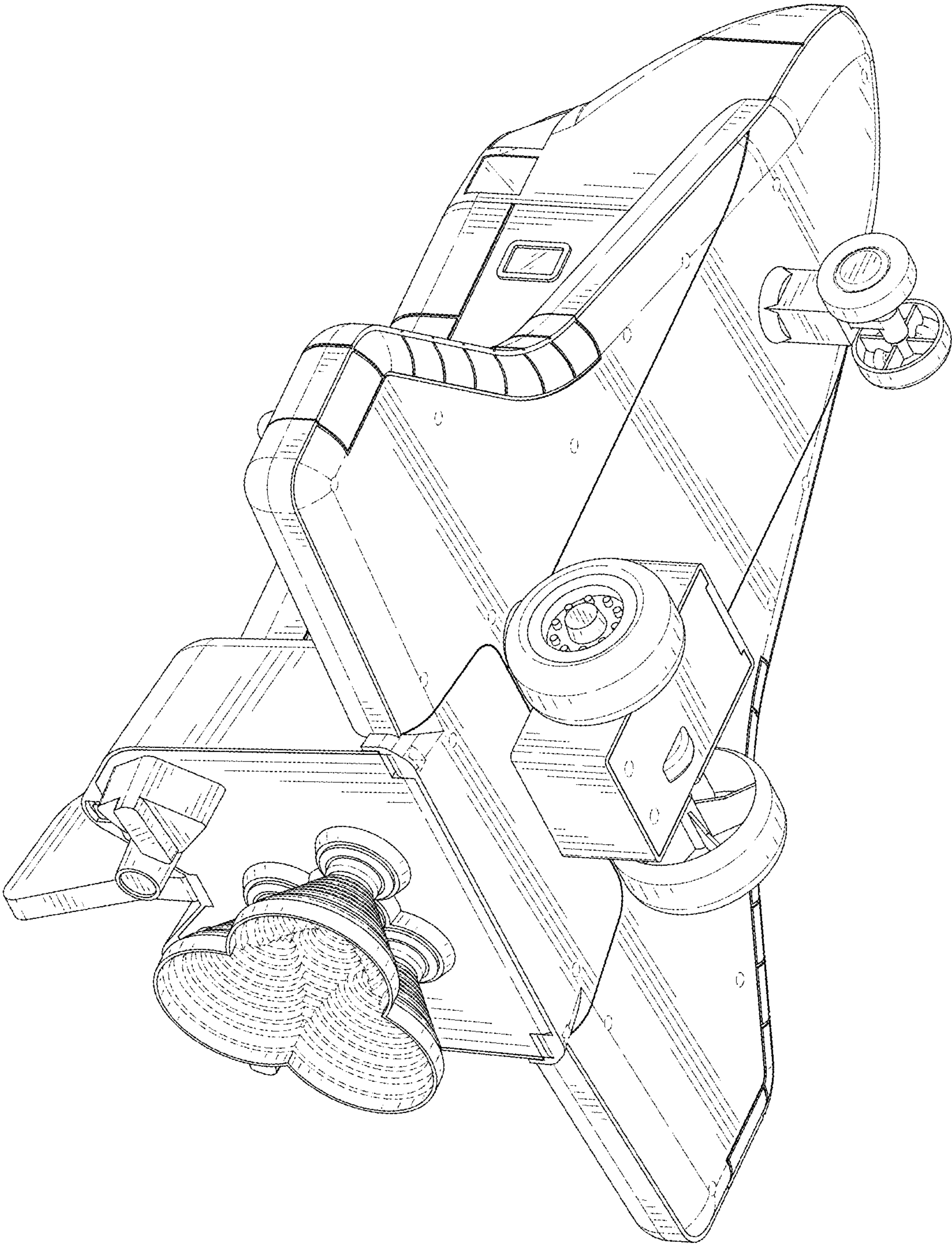


FIG. 2

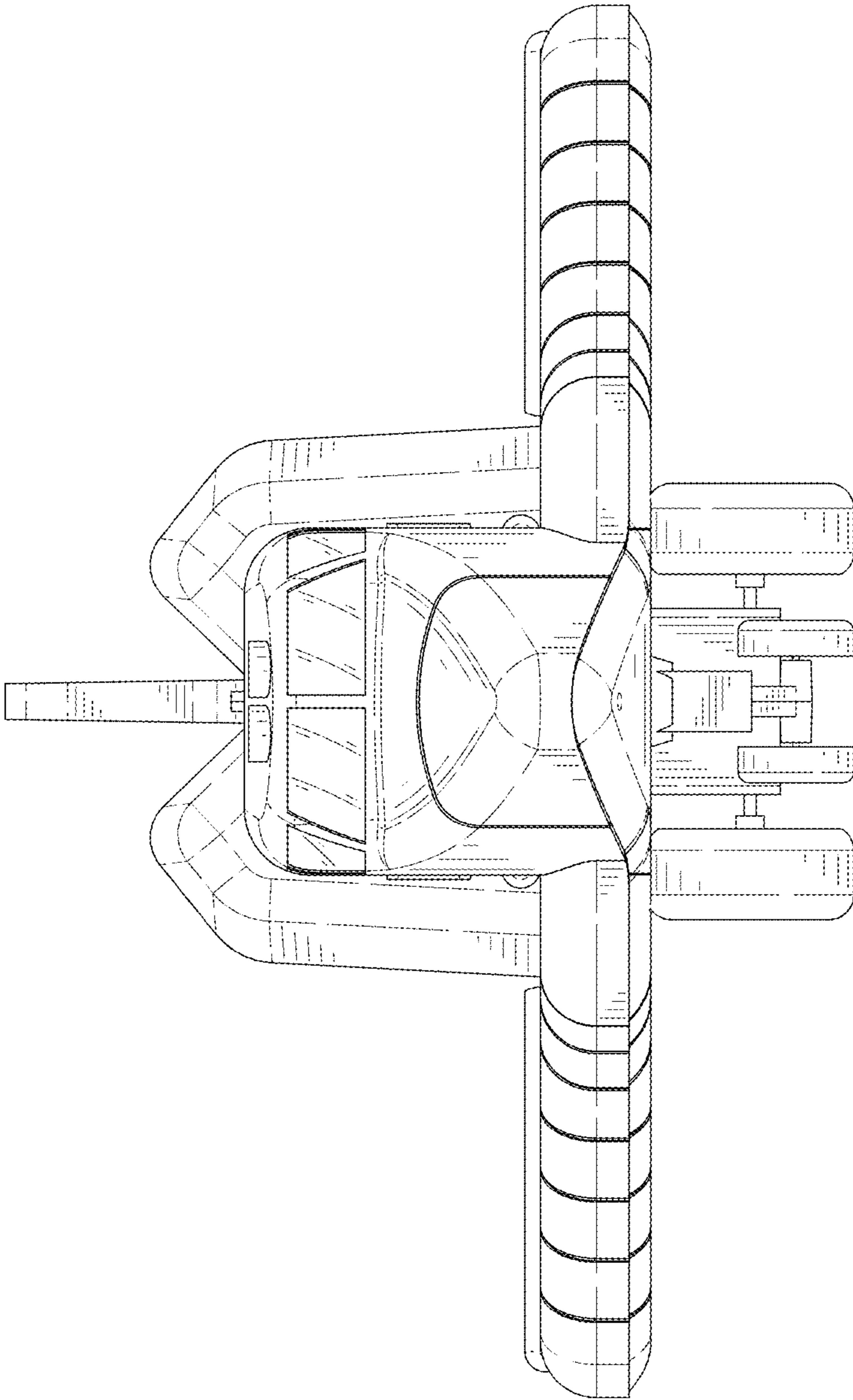


FIG. 3

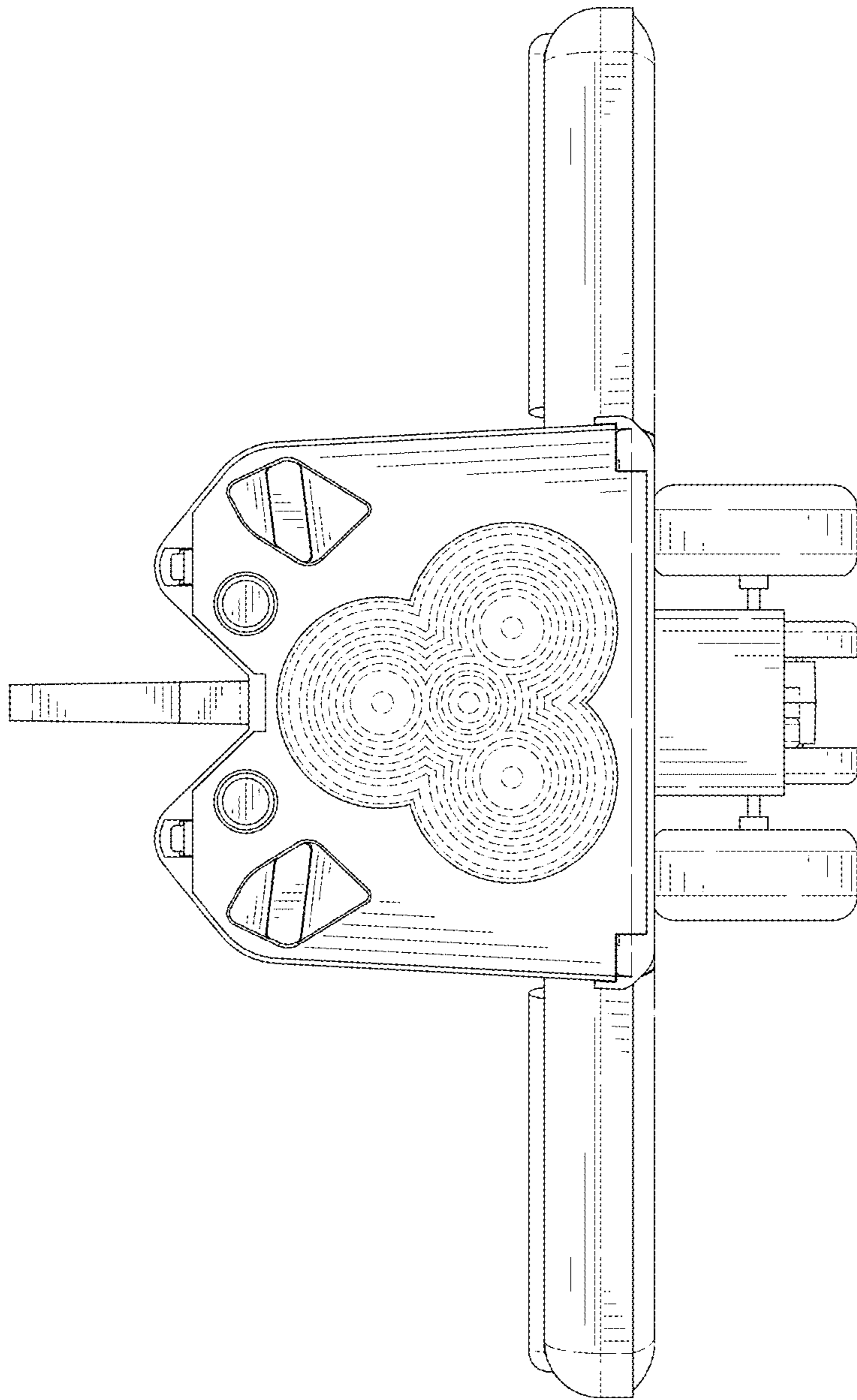


FIG. 4

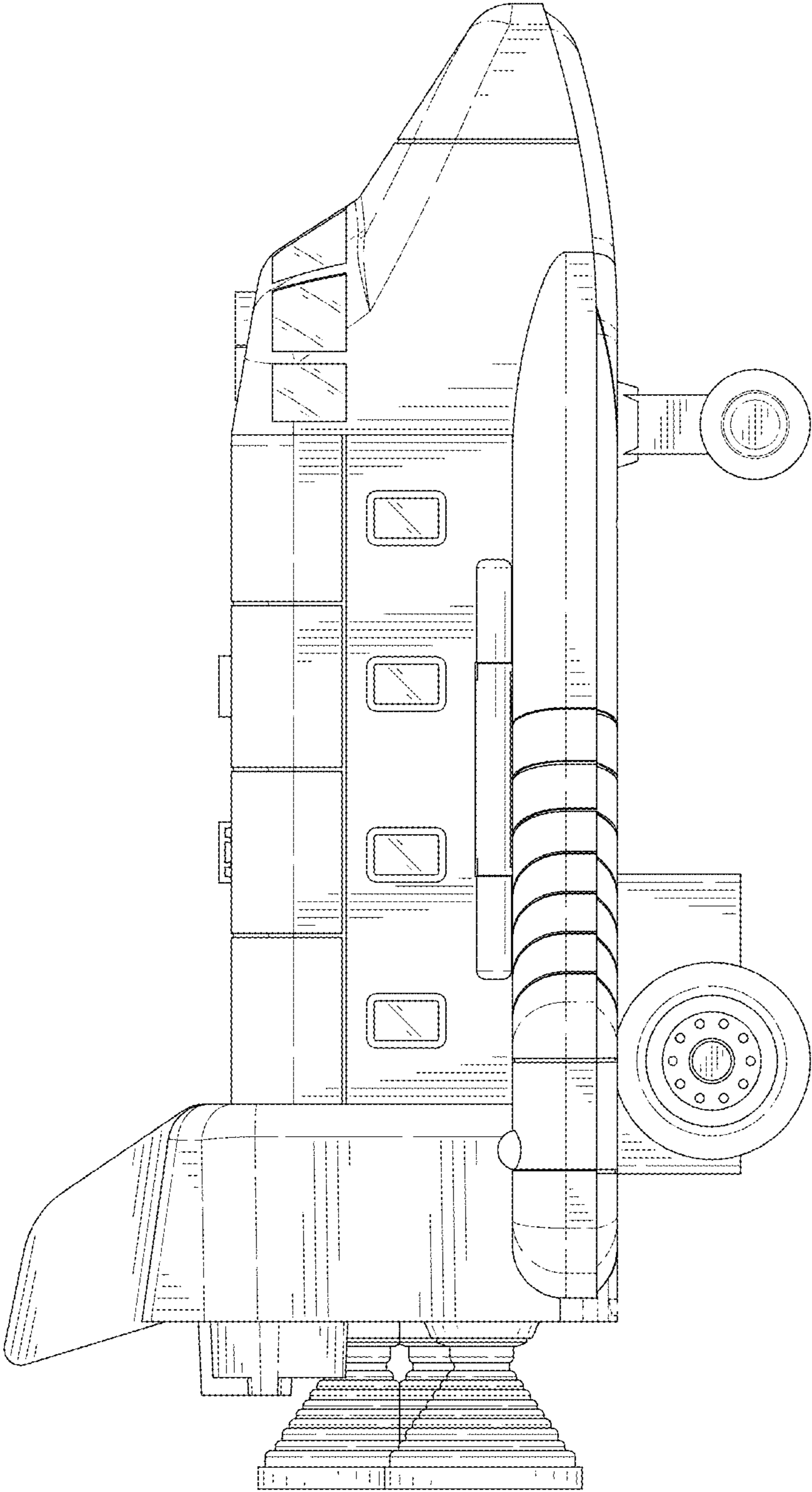


FIG. 5

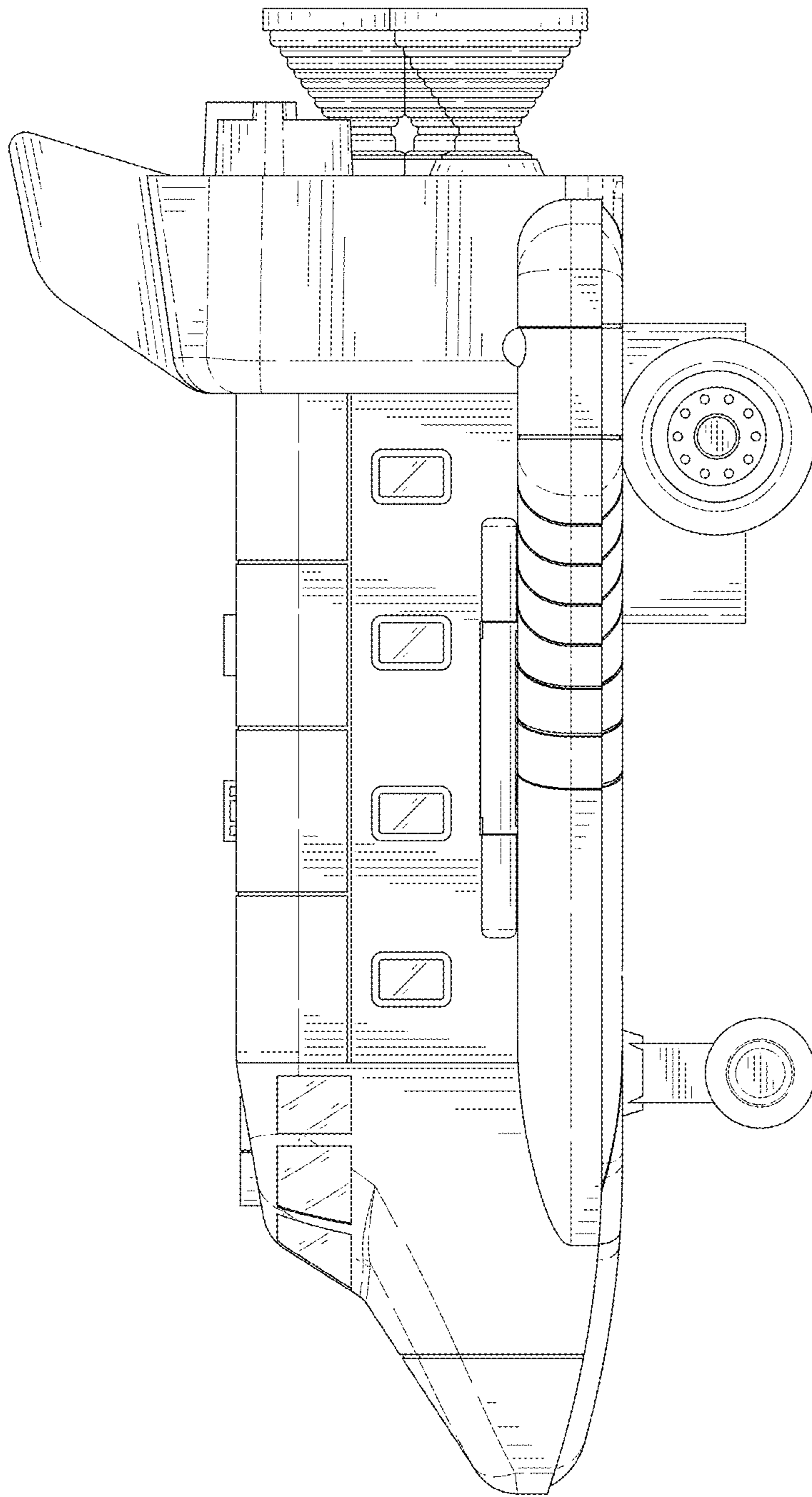


FIG. 6

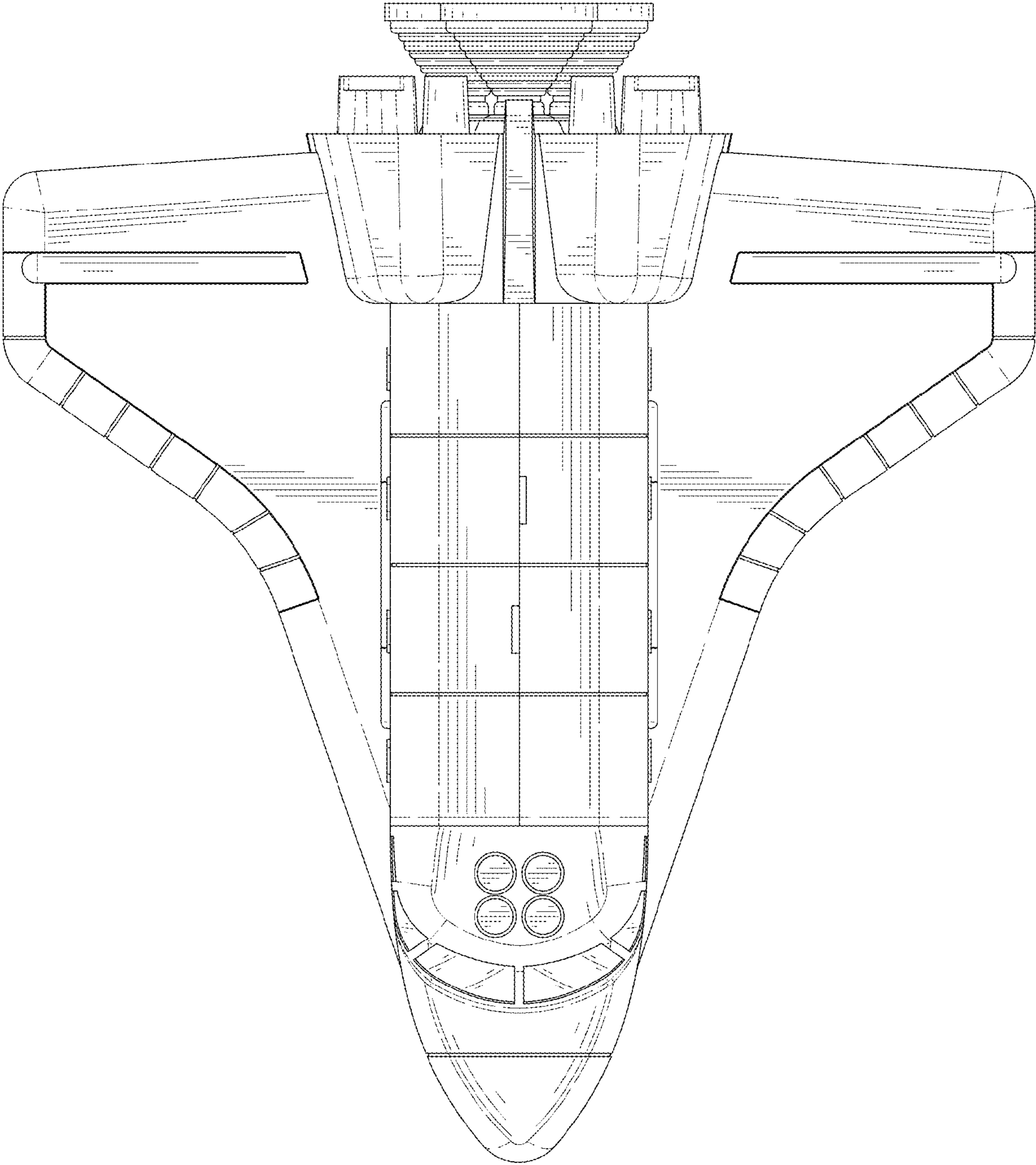


FIG. 7

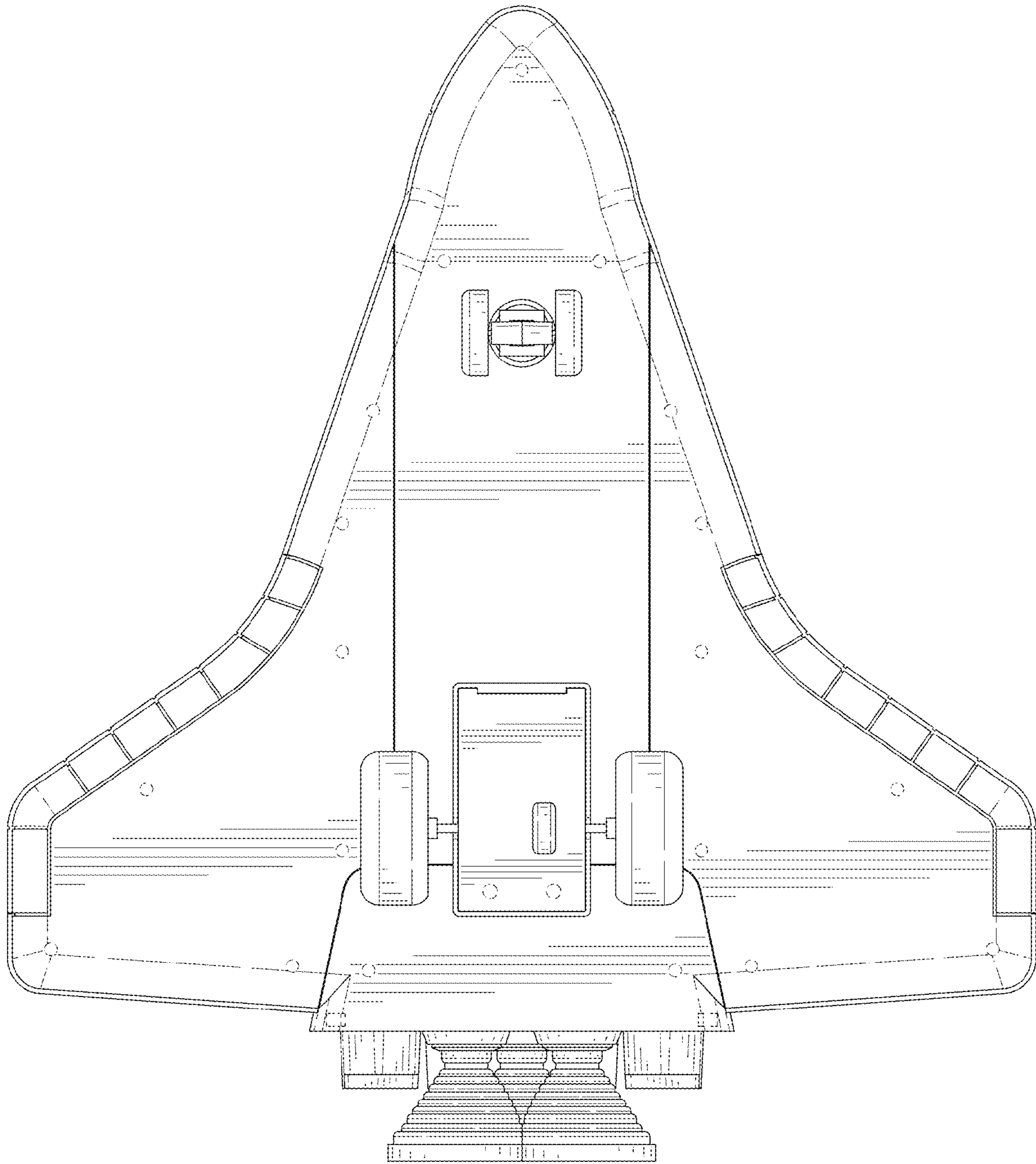


FIG. 8

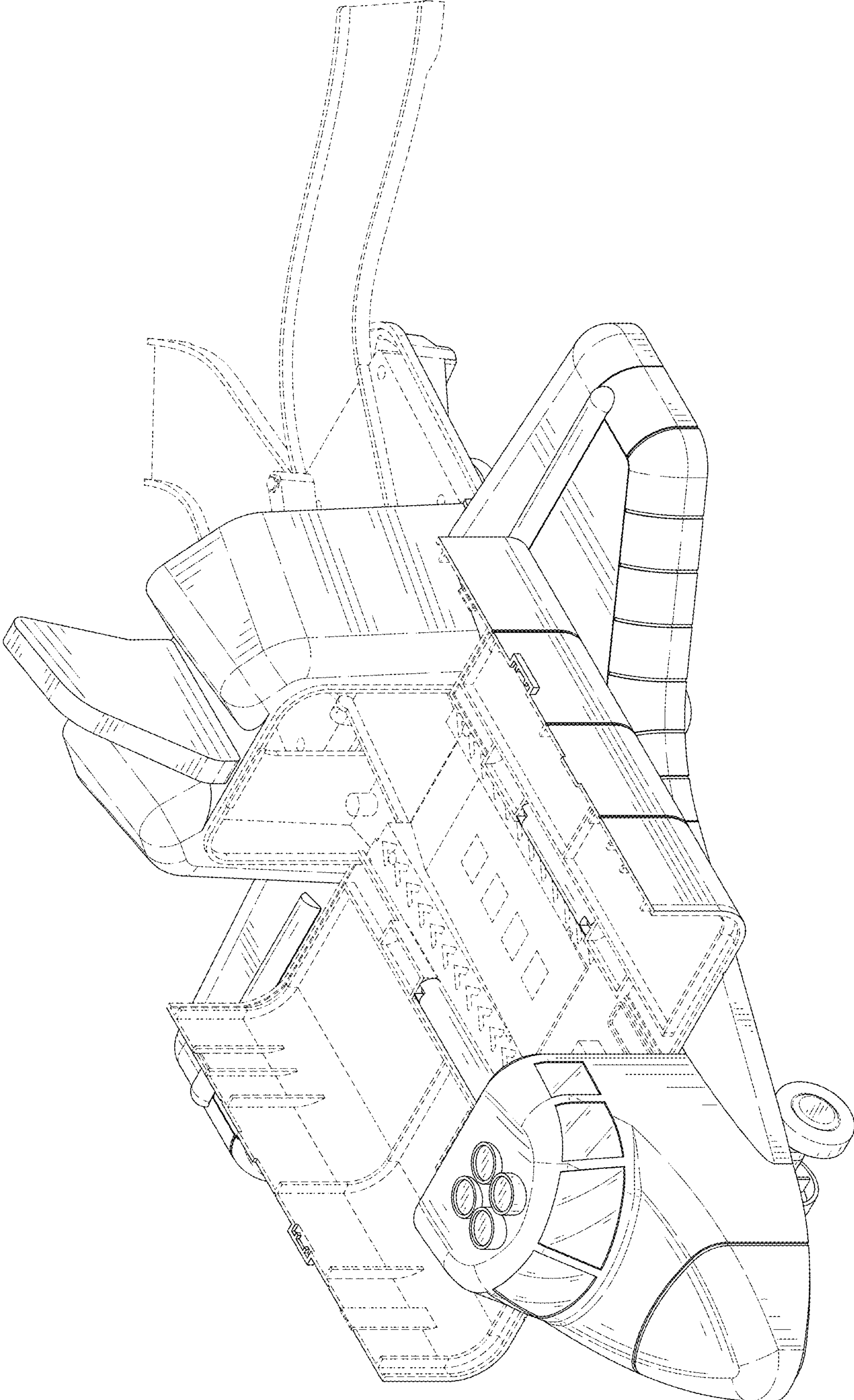


FIG. 9

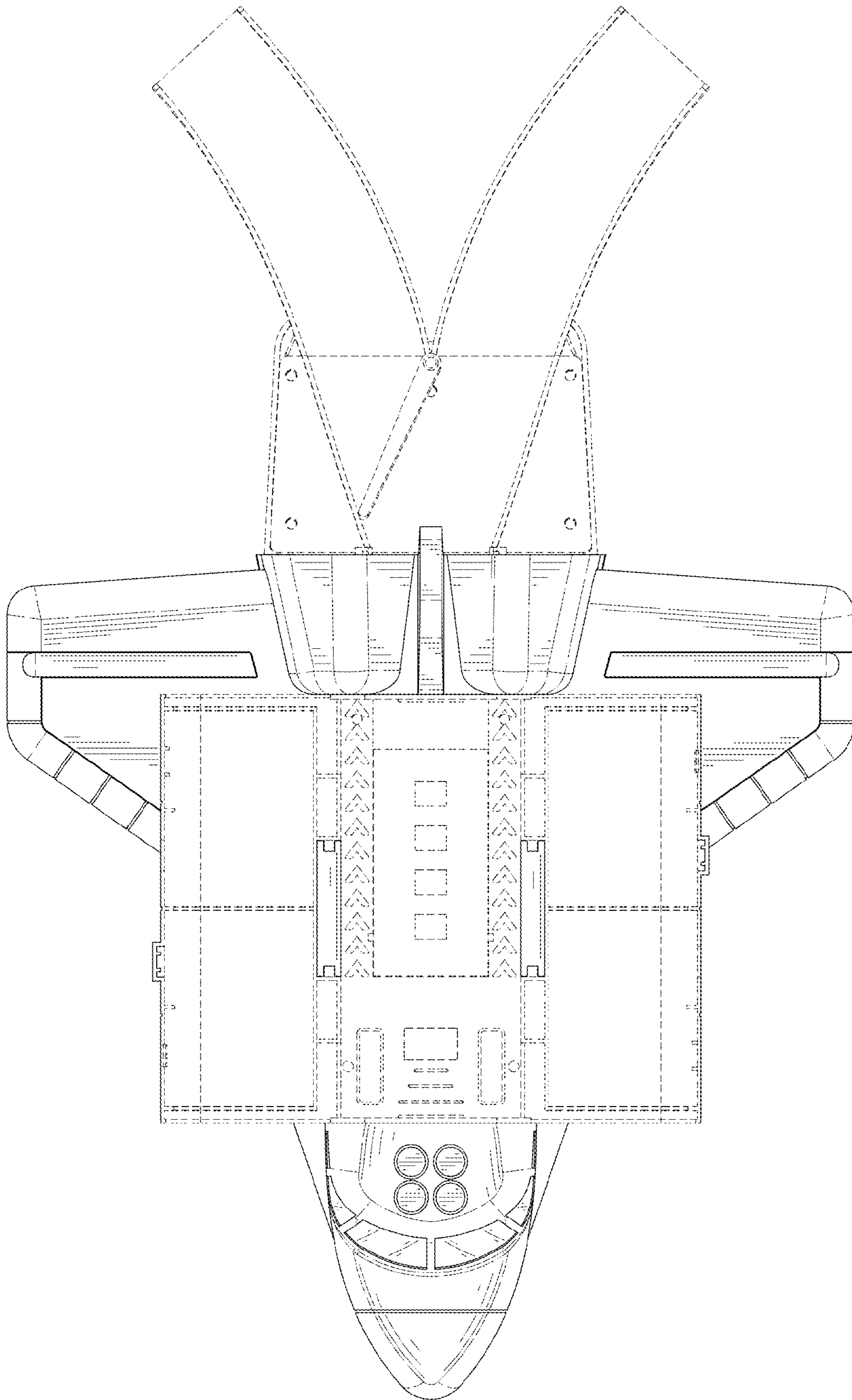


FIG. 10