



US00D970630S

(12) **United States Design Patent** (10) **Patent No.:** **US D970,630 S**  
**Li** (45) **Date of Patent:** **\*\* Nov. 22, 2022**

(54) **MAGNETIC TOY**  
(71) Applicant: **Qinsheng Li**, Shenzhen (CN)  
(72) Inventor: **Qinsheng Li**, Shenzhen (CN)  
(\*\*) Term: **15 Years**

D918,082 S \* 5/2021 Dandridge ..... D3/215  
D922,495 S 6/2021 Lv  
11,219,818 B1 \* 1/2022 Yakos ..... A63F 9/0413  
D959,563 S \* 8/2022 Lyu ..... D21/404  
2006/0137270 A1 \* 6/2006 Daftari ..... A63F 9/34  
52/250  
2022/0233969 A1 \* 7/2022 Qu ..... A63H 33/046

(21) Appl. No.: **29/800,237**  
(22) Filed: **Jul. 20, 2021**  
(51) **LOC (13) Cl.** ..... **21-01**  
(52) **U.S. Cl.**  
USPC ..... **D21/404; D21/493; D21/504**  
(58) **Field of Classification Search**  
USPC ..... D21/398, 404, 405, 468, 475, 478, 479,  
D21/484, 490, 492, 493, 498, 503, 504,  
D21/505, 707, 713, 714; D11/2, 76, 79,  
D11/90, 91, 121, 124  
CPC ..... A63H 33/00; A63H 33/04; A63H 33/042;  
A63H 33/046; A63H 33/06; A63H 33/26;  
A63H 33/18; A63B 43/00; A63B 43/002;  
A63F 9/08; A63F 9/12; A63F 9/1204;  
A63F 2009/0849; A63F 2009/1212; A63F  
2009/124  
See application file for complete search history.

**FOREIGN PATENT DOCUMENTS**

CN 304363980 \* 11/2017  
CN 304387284 \* 12/2017  
CN 305499593 \* 12/2019  
CN 306285844 \* 1/2021  
CN 306552198 \* 5/2021  
CN 306680810 \* 7/2021

(Continued)

**OTHER PUBLICATIONS**

Meet Geode—SPEKS. YouTube video posted by Speks at: <<https://www.youtube.com/watch?v=OzGRAh-jRgc>> Sep. 9, 2020 screen shots at :01, :04, :04, :11, :11, :12. [Accessed 9/15/2] (Year: 2020).\*

*Primary Examiner* — Catherine A Tuttle  
(74) *Attorney, Agent, or Firm* — Rumit Ranjit Kanakia

(57) **CLAIM**

I claim the ornamental design for a magnetic toy, as shown and described.

(56) **References Cited**

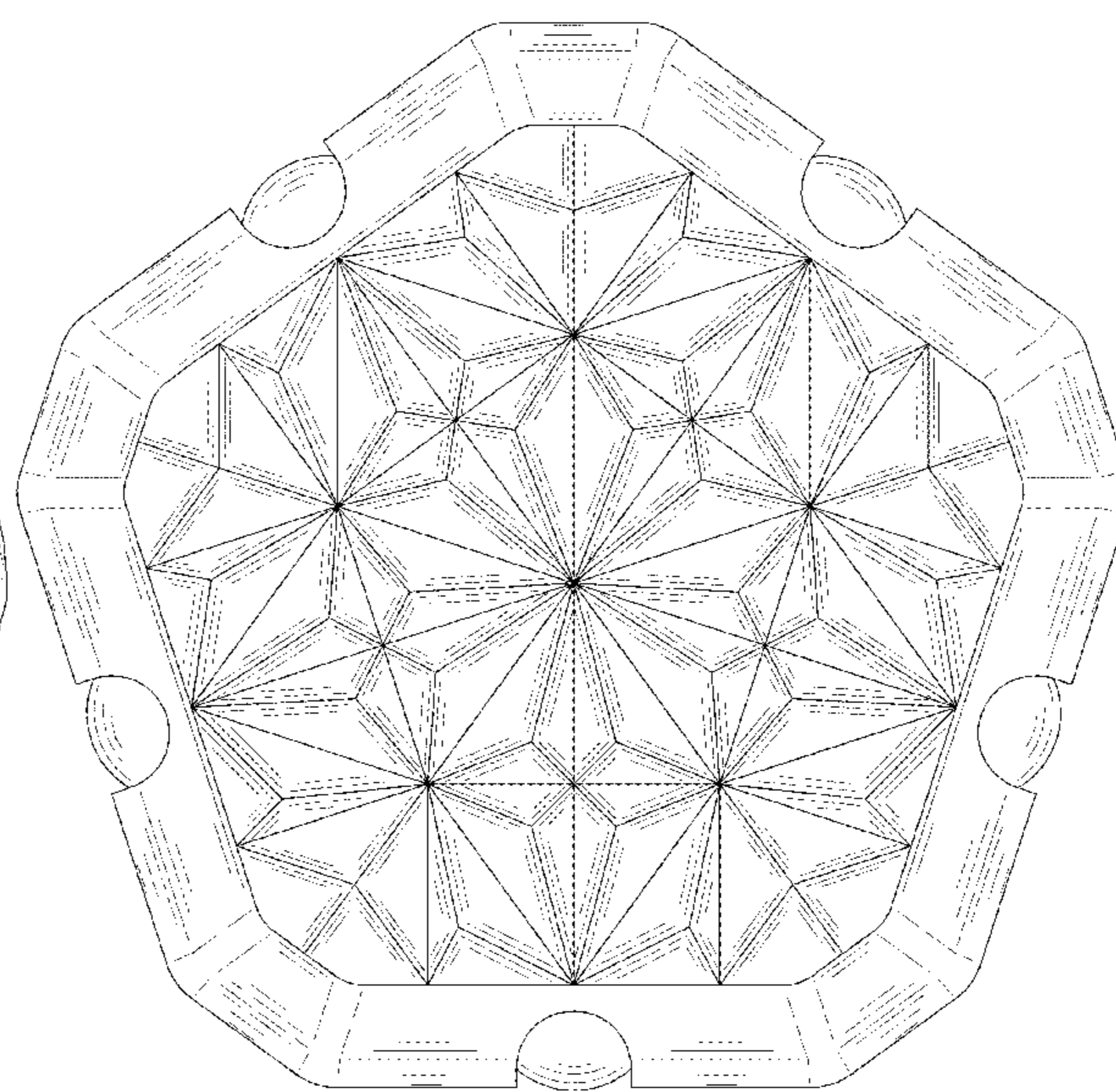
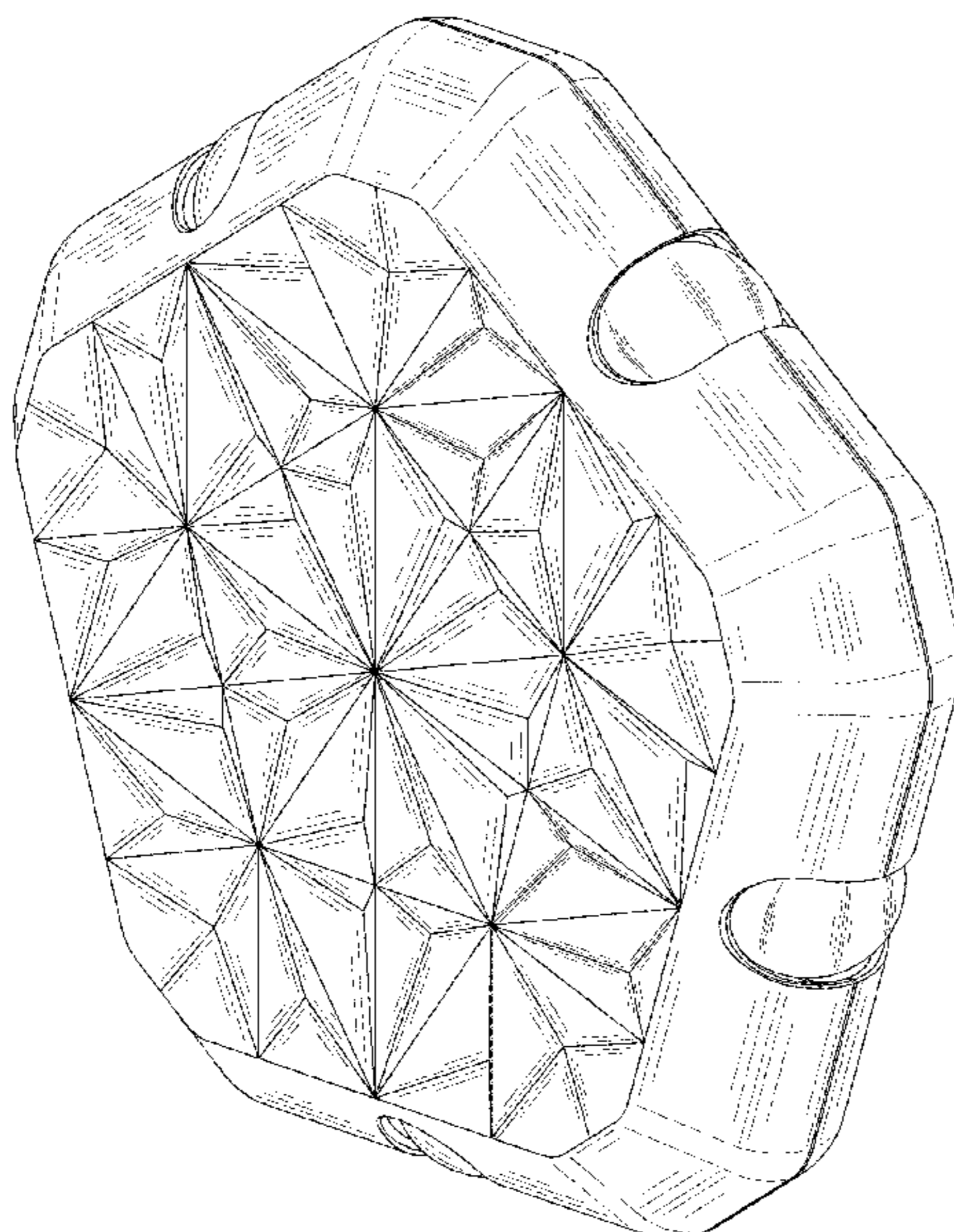
**U.S. PATENT DOCUMENTS**

4,416,453 A \* 11/1983 Sasso ..... A63F 9/0838  
273/153 S  
5,168,677 A \* 12/1992 Pronsato ..... A63F 9/1208  
52/81.1  
D475,634 S \* 6/2003 Cooper ..... D11/90  
D503,954 S 4/2005 Balanchi  
D504,476 S \* 4/2005 Balanchi ..... D21/489  
D513,628 S 1/2006 Andersen  
D617,850 S \* 6/2010 Langin-Hooper ..... D21/479  
D653,155 S \* 1/2012 Gurfinkel ..... D11/91  
D827,721 S 9/2018 Whang  
D894,289 S 8/2020 Henkin

**DESCRIPTION**

FIG. 1 is a Perspective view of a magnetic toy showing my new design;  
FIG. 2 is a Front view thereof;  
FIG. 3 is a Back view thereof;  
FIG. 4 is a Left-side view thereof;  
FIG. 5 is a Right-side view thereof;  
FIG. 6 is a Top view thereof; and,  
FIG. 7 is a Bottom view thereof.

**1 Claim, 7 Drawing Sheets**



(56)

**References Cited**

FOREIGN PATENT DOCUMENTS

DE	102005018755	A1	*	10/2006	.....	A63H 33/046
FR	2502021	A1	*	9/1982	.....	A63F 9/0838
GB	6139867		*	5/2021		
GB	6142606		*	6/2021		
KR	200380938	Y1	*	4/2005	.....	A63H 33/26
KR	100524153	B1	*	10/2005	.....	A63H 33/26
KR	200407921	Y1	*	2/2006	.....	A63H 33/046
KR	300777866.0000		*	1/2015		

\* cited by examiner

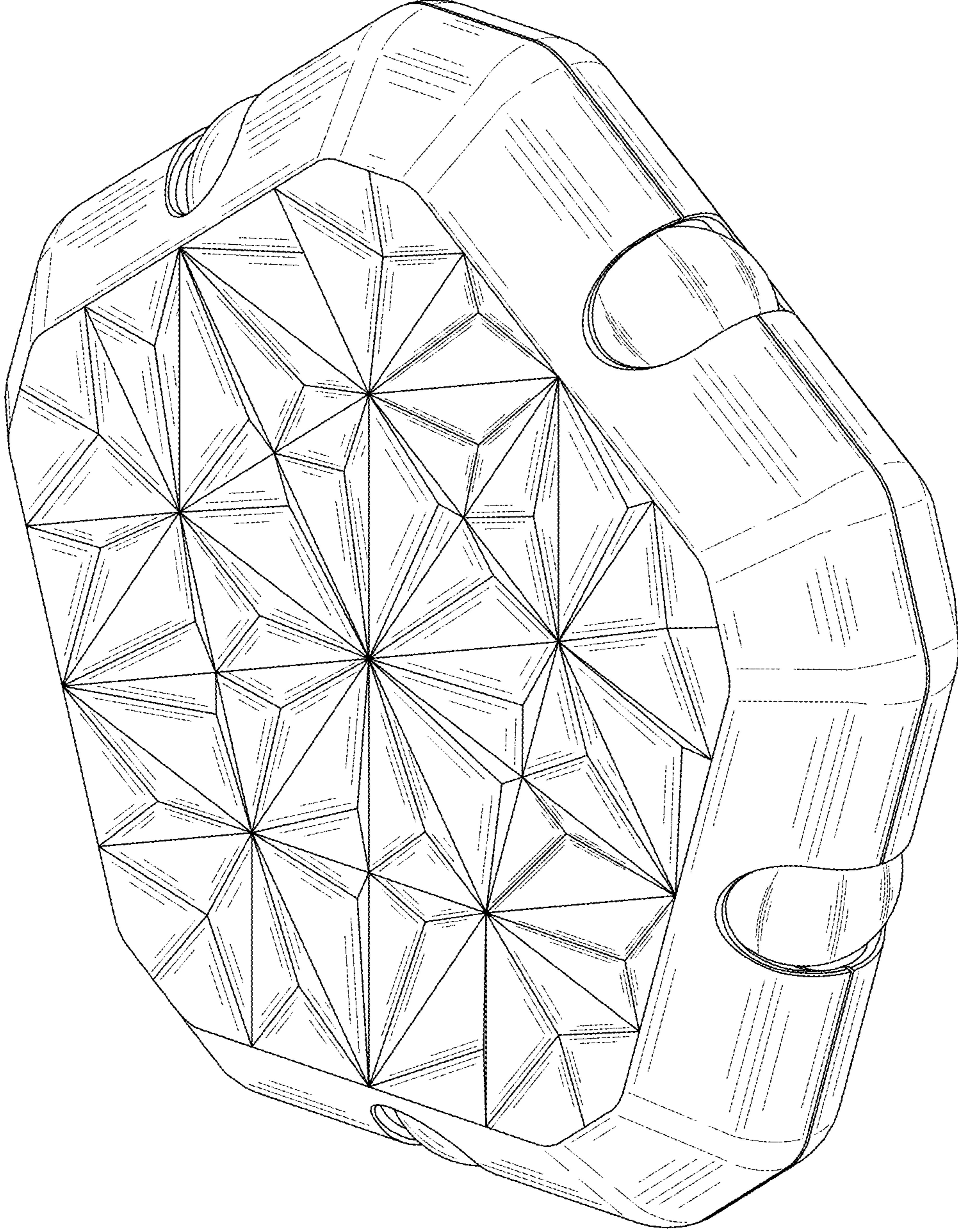


FIG. 1

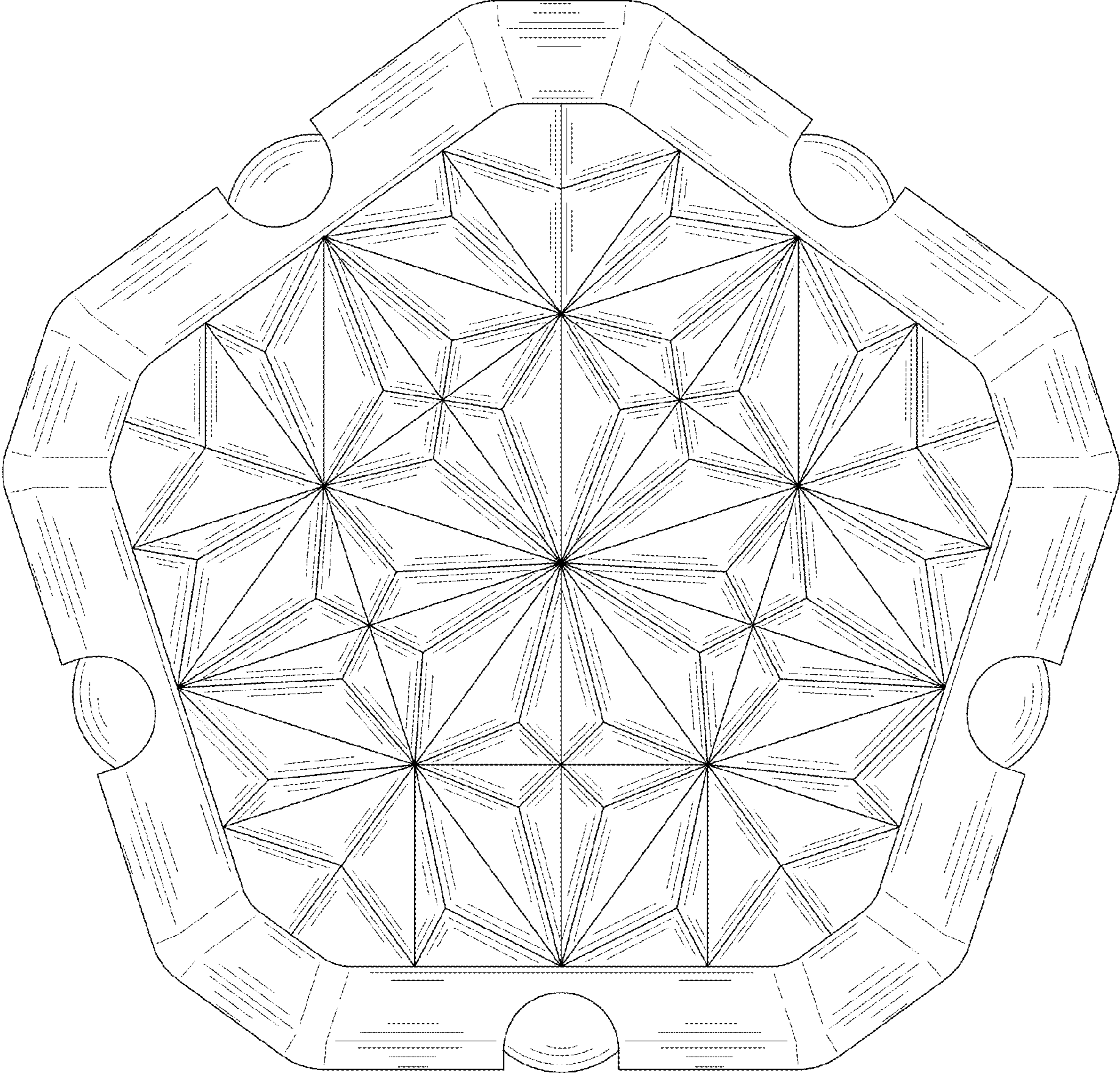


FIG. 2

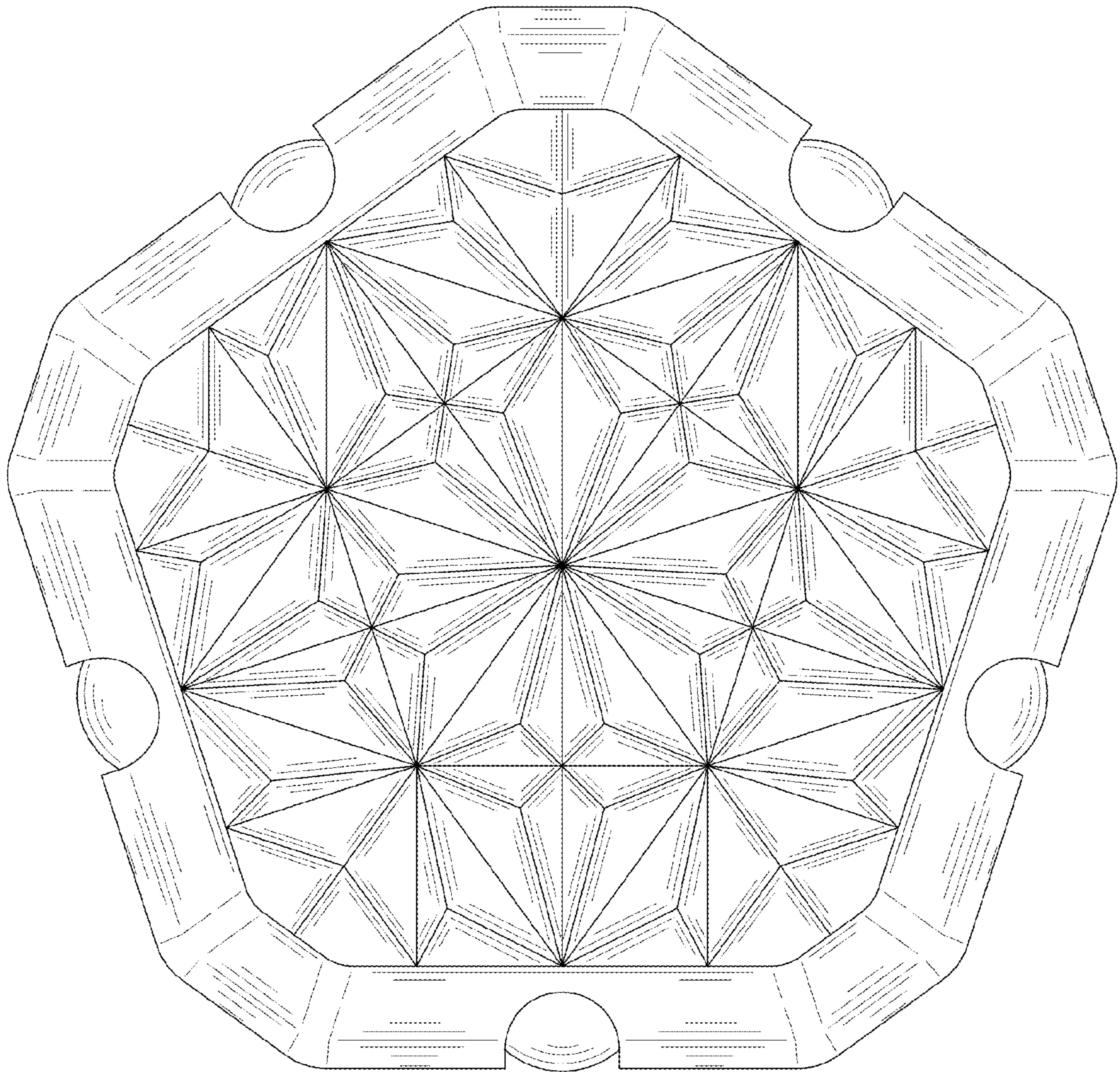


FIG. 3

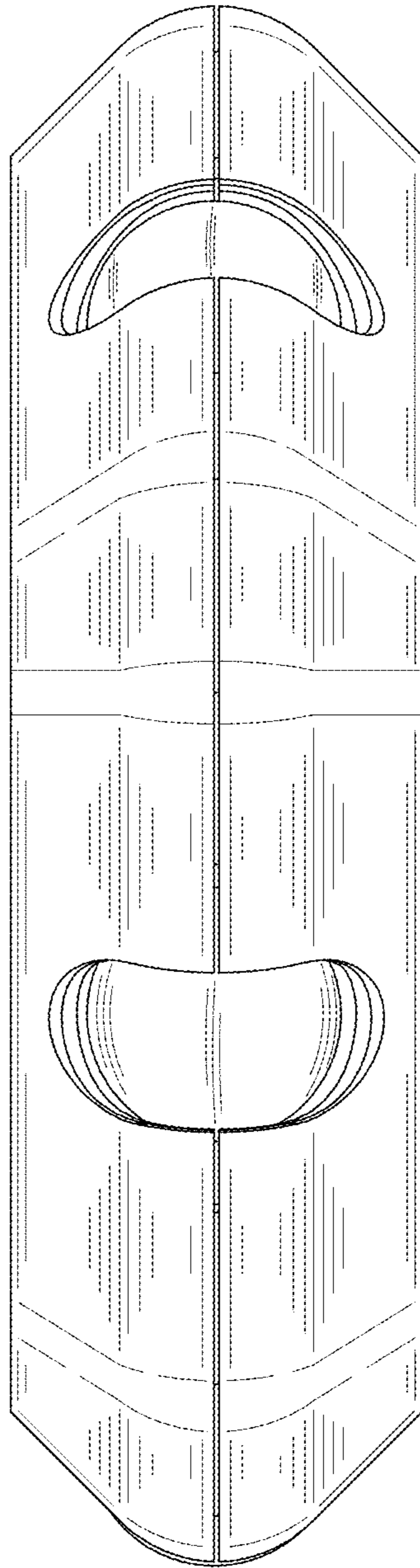


FIG. 4

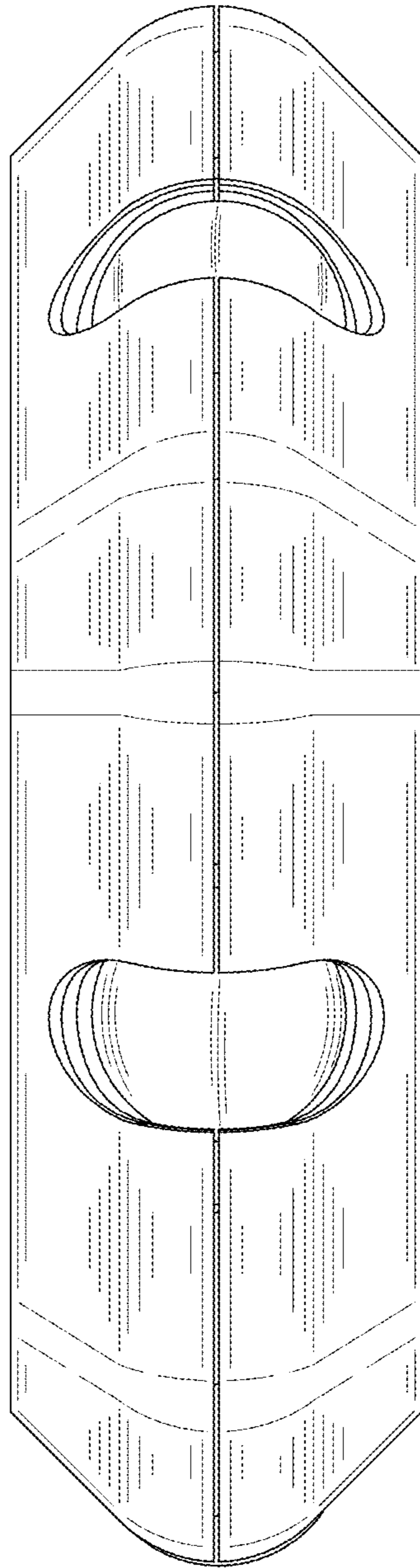


FIG. 5

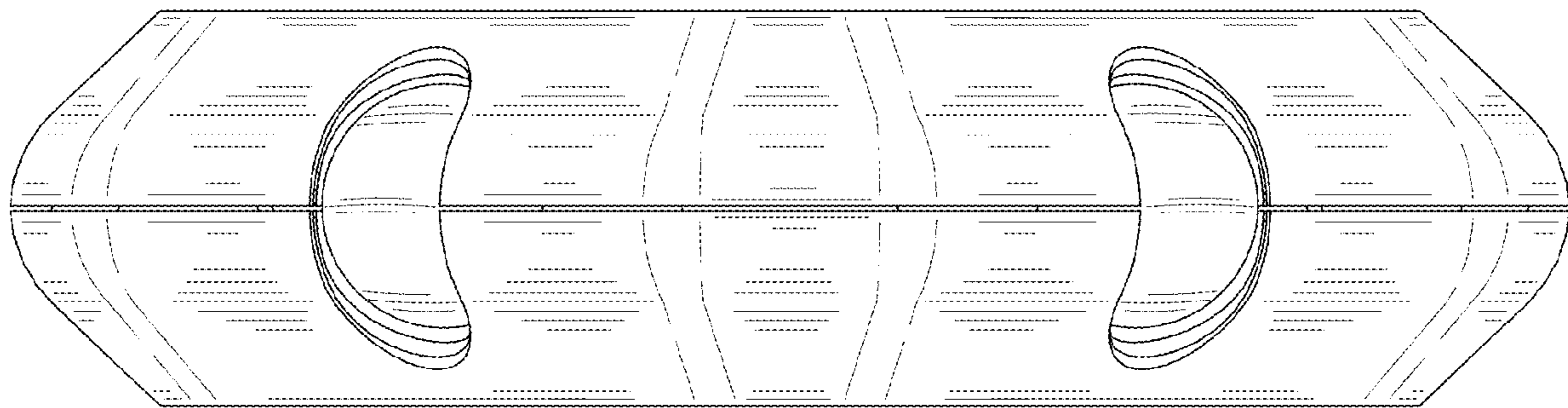


FIG. 6



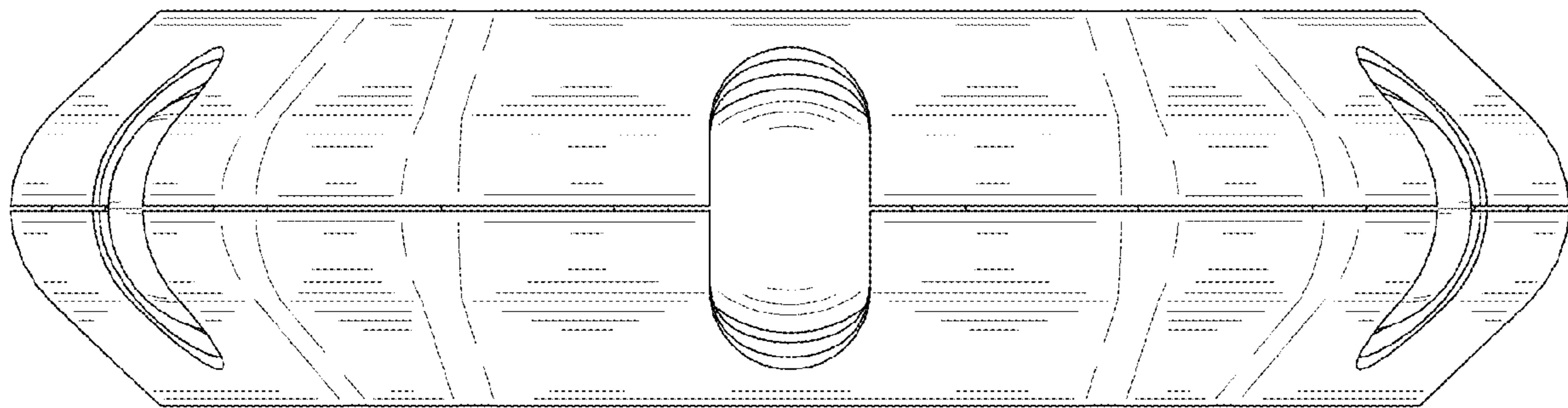


FIG. 7