



US00D970629S

(12) **United States Design Patent**
Edwards et al.

(10) **Patent No.:** **US D970,629 S**

(45) **Date of Patent:** **** Nov. 22, 2022**

(54) **GAMING SYSTEM**

(71) Applicant: **IGT**, Las Vegas, NV (US)

(72) Inventors: **Douglas Edwards**, Henderson, NV (US); **Theodore J. Swanson**, Henderson, NV (US); **Brandon Bruno**, Cherry Hill, NJ (US); **Matteo Carli**, Reno, NV (US); **Paul Baskerville**, Las Vegas, NV (US)

(73) Assignee: **IGT**, Las Vegas, NV (US)

(**) Term: **15 Years**

(21) Appl. No.: **29/790,130**

(22) Filed: **Nov. 8, 2021**

Related U.S. Application Data

(63) Continuation of application No. 29/721,081, filed on Jan. 17, 2020, now Pat. No. Des. 936,747.

(51) **LOC (13) Cl.** **21-03**

(52) **U.S. Cl.**
USPC **D21/369**

(58) **Field of Classification Search**
USPC D21/369, 324, 333, 395, 300, 371, 385, D21/397, 363, 365, 366, 367, 325, 642, D21/370, 383, 360, 415, 428, 584, 329, D21/349, 393, 334, 308, 392, 374, 376, D21/380

See application file for complete search history.

(56) **References Cited**

U.S. PATENT DOCUMENTS

D197,214 S	12/1963	Dreyfuss	
D376,825 S *	12/1996	Hanscom	D21/324
D397,161 S	8/1998	Dretzka et al.	
D429,769 S *	8/2000	Luciano	D21/333

D429,770 S *	8/2000	Luciano	D21/325
D508,269 S	8/2005	Wichinsky	
D714,392 S	9/2014	Arabian	
D727,869 S	4/2015	Jarema et al.	
D729,321 S	5/2015	Arabian	

(Continued)

OTHER PUBLICATIONS

“Baccarat Gaming Systems”, available prior to Jan. 17, 2020 (2 pages).

(Continued)

Primary Examiner — Khawaja Anwar

Assistant Examiner — Julice Seung Eun Oum

(74) *Attorney, Agent, or Firm* — Neal, Gerber & Eisenberg LLP

(57) **CLAIM**

The ornamental design for a gaming system, as shown and described.

DESCRIPTION

FIG. 1 is at front perspective view of a gaming system of one embodiment of our new design.

FIG. 2 is a front view of the gaming system of FIG. 1.

FIG. 3 is a right side view of the gaming system of FIG. 1.

FIG. 4 is a left side view of the gaming system of FIG. 1.

FIG. 5 is a top view of the gaming system of FIG. 1.

FIG. 6 is at front perspective view of a gaming system of another embodiment of our new design.

FIG. 7 is a front view of the gaming system of FIG. 6.

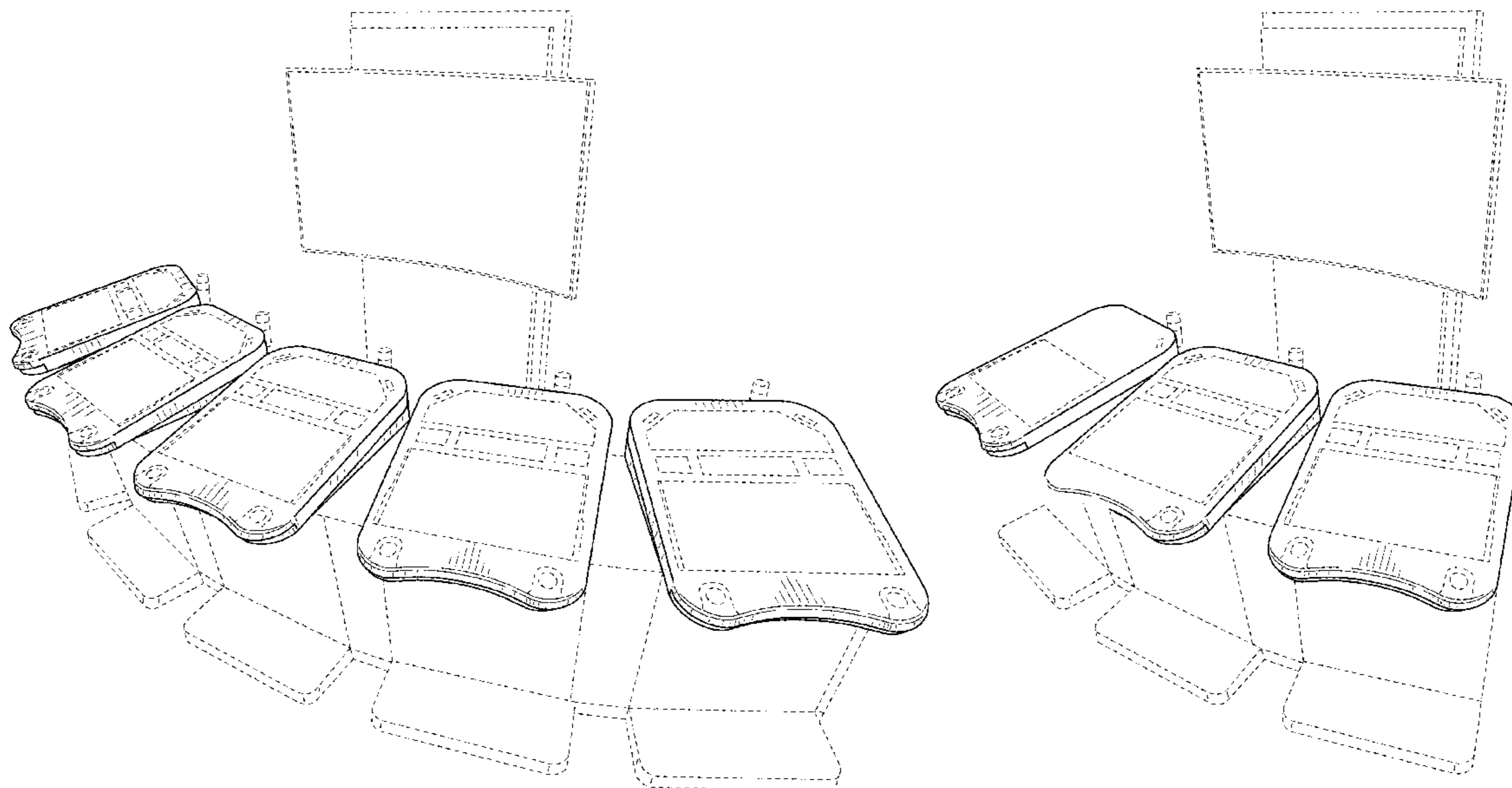
FIG. 8 is a right side view of the gaming system of FIG. 6.

FIG. 9 is a left side view of the gaming system of FIG. 6; and,

FIG. 10 is a top view of the gaming system of FIG. 6.

The portions shown in phantom are not part of the claimed design.

1 Claim, 10 Drawing Sheets



(56)

References Cited

U.S. PATENT DOCUMENTS

D810,830 S 2/2018 Sharp et al.
D833,534 S 11/2018 Lee et al.
D846,649 S 4/2019 Schoonmaker et al.
D871,506 S 12/2019 Castro et al.
D880,604 S 4/2020 Olive et al.
D900,229 S * 10/2020 Bussey D21/369
D907,129 S 1/2021 Olive et al.
D936,747 S * 11/2021 Edwards D21/369
2008/0246214 A1 10/2008 Toyoda
2009/0124348 A1 * 5/2009 Yoseloff G07F 17/32
273/146

OTHER PUBLICATIONS

“Black Jack Gaming System”, available prior to Jan. 17, 2020 (1 page).
“Black Jack Gaming Systems”, available prior to Jan. 17, 2020 (3 pages).
“Roulette Gaming System”, available prior to Jan. 17, 2020 (1 page).
“Stadium Gaming System”, available prior to Jan. 17, 2020 (1 page).

* cited by examiner

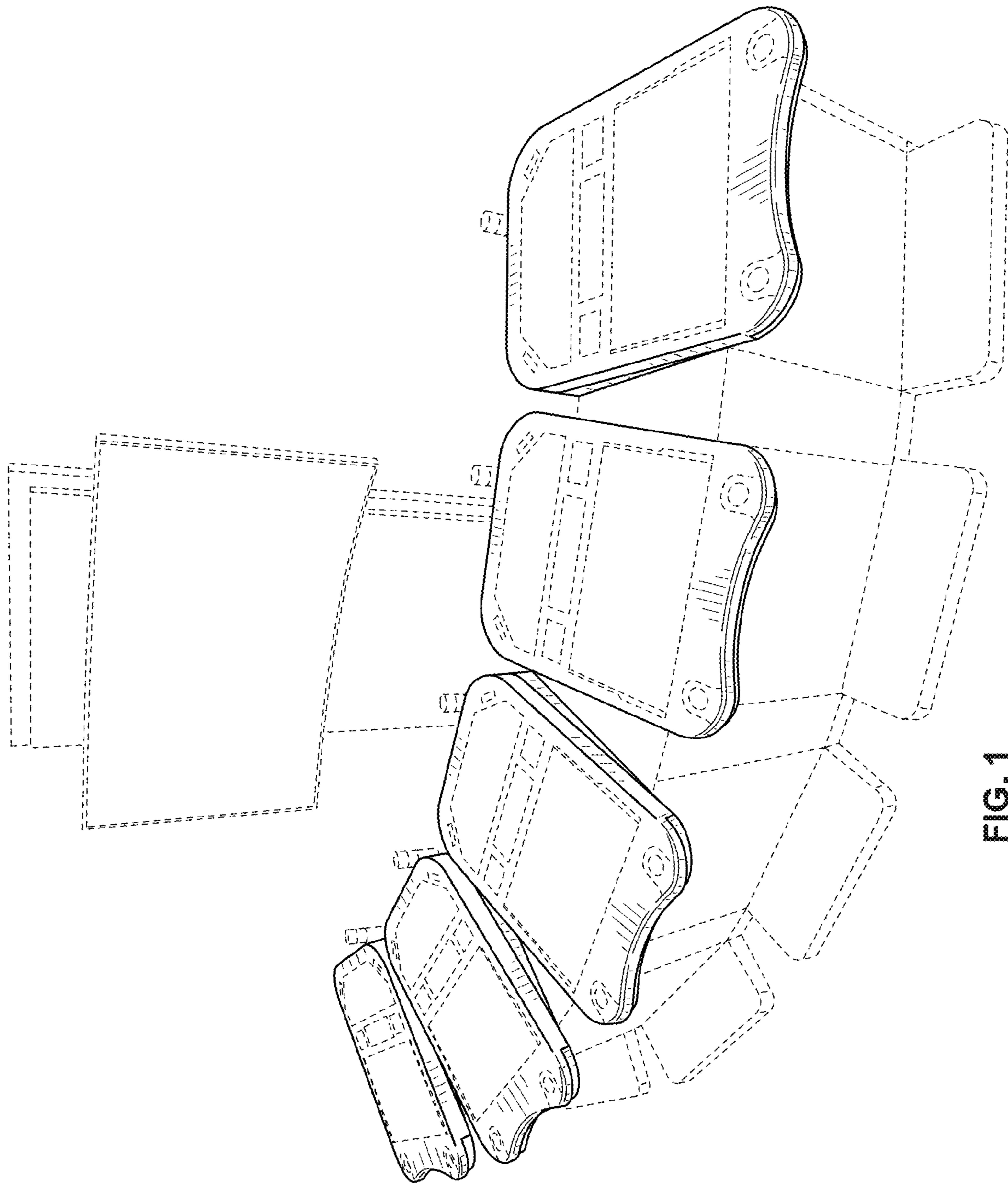


FIG. 1

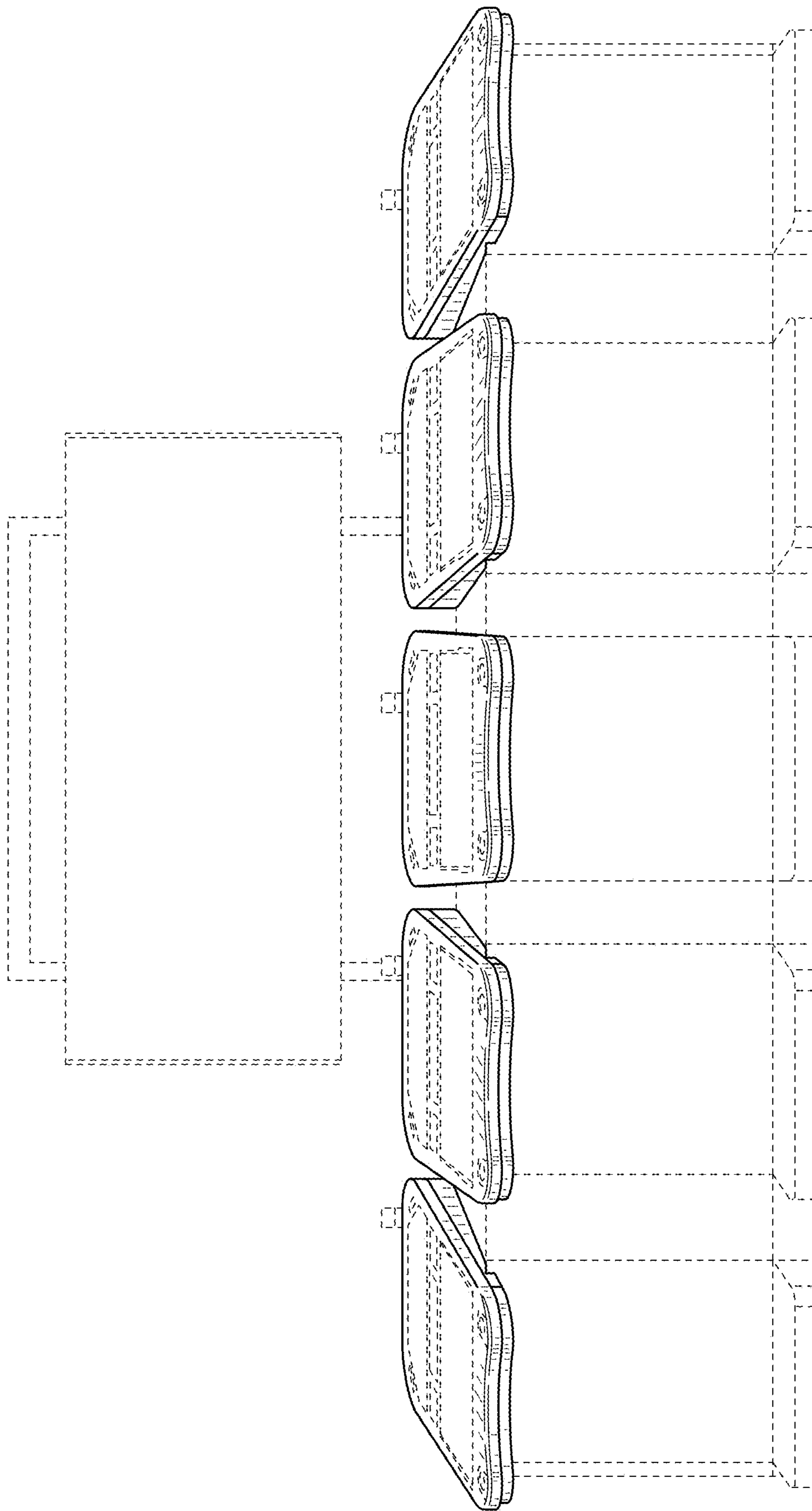


FIG. 2

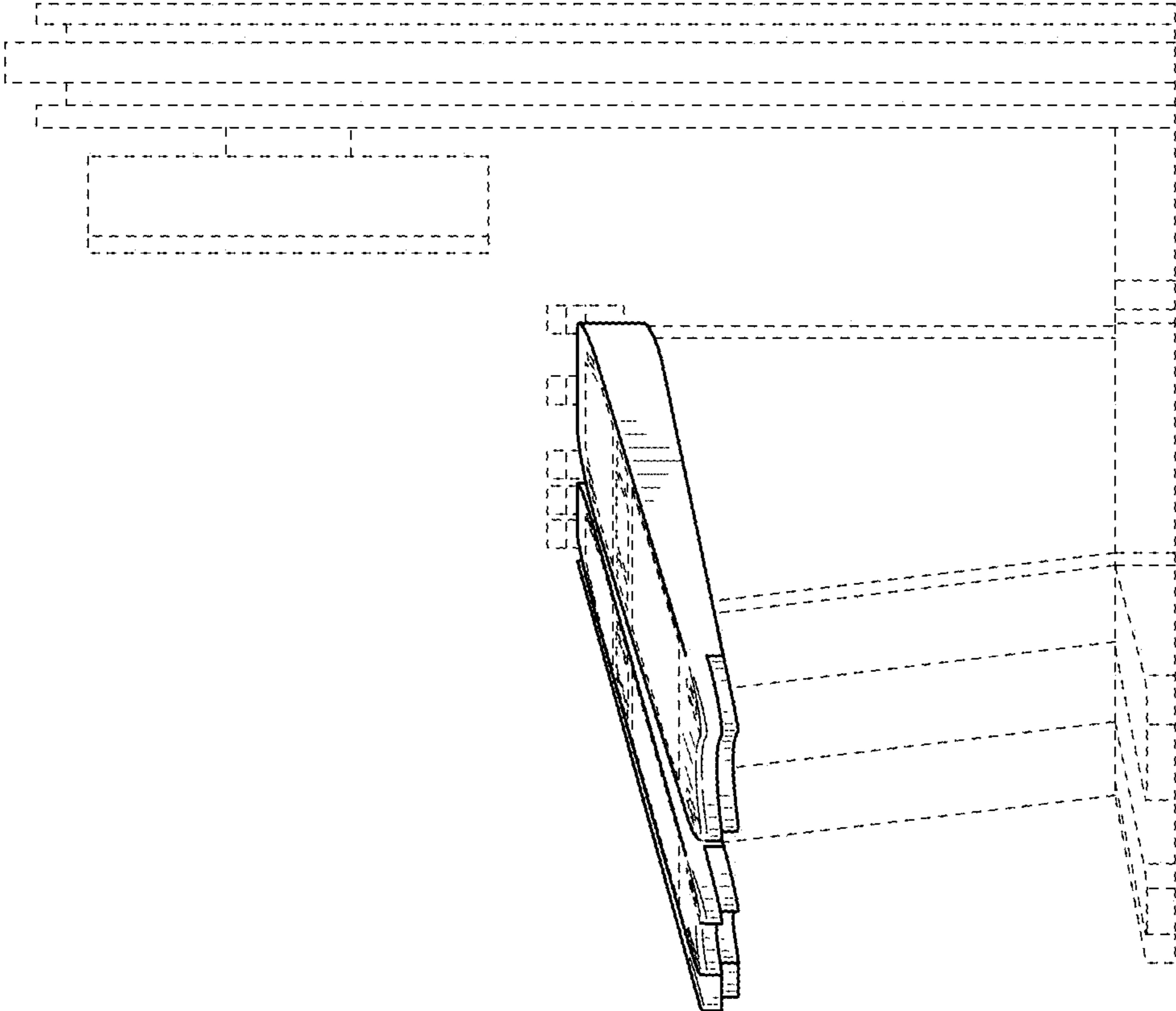


FIG. 3

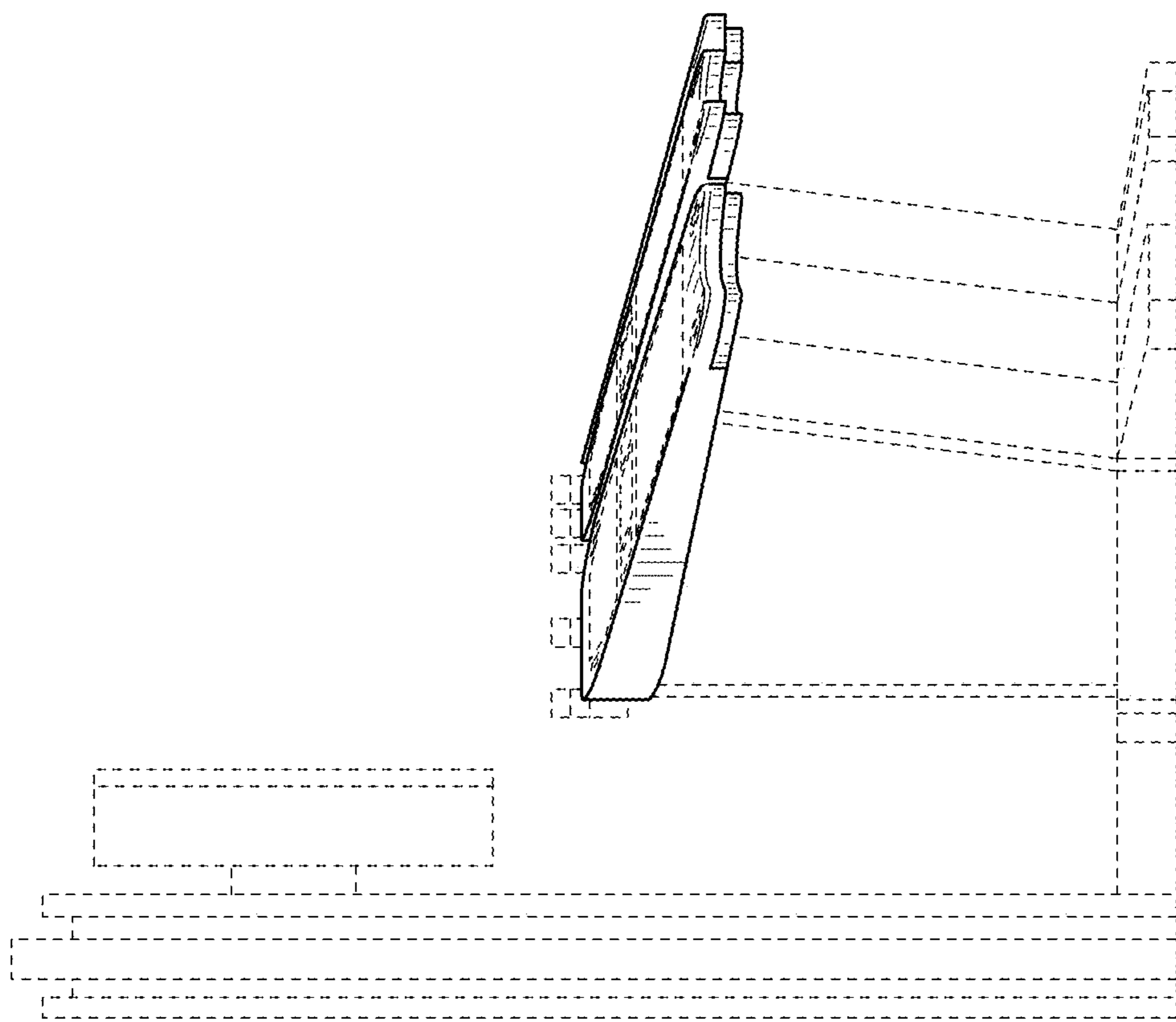


FIG. 4

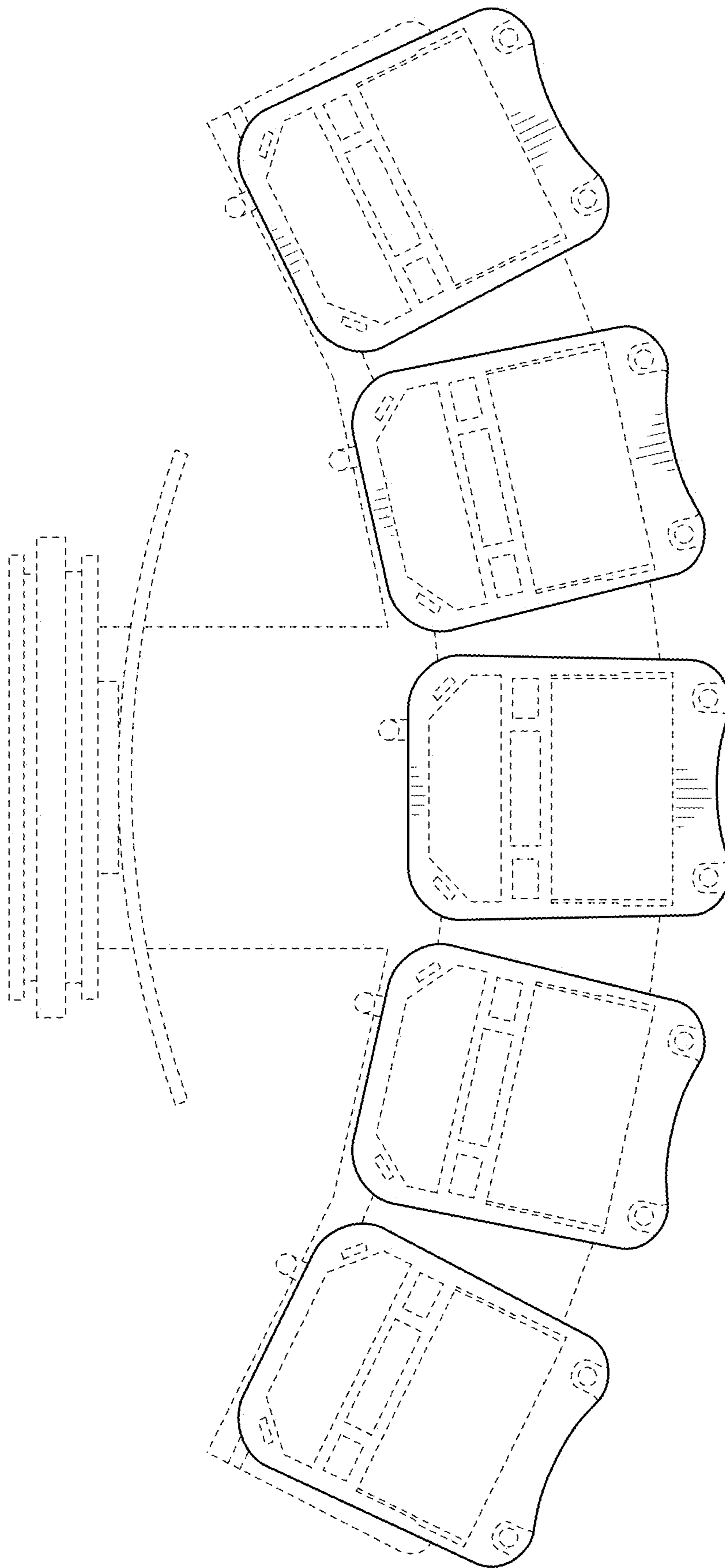


FIG. 5

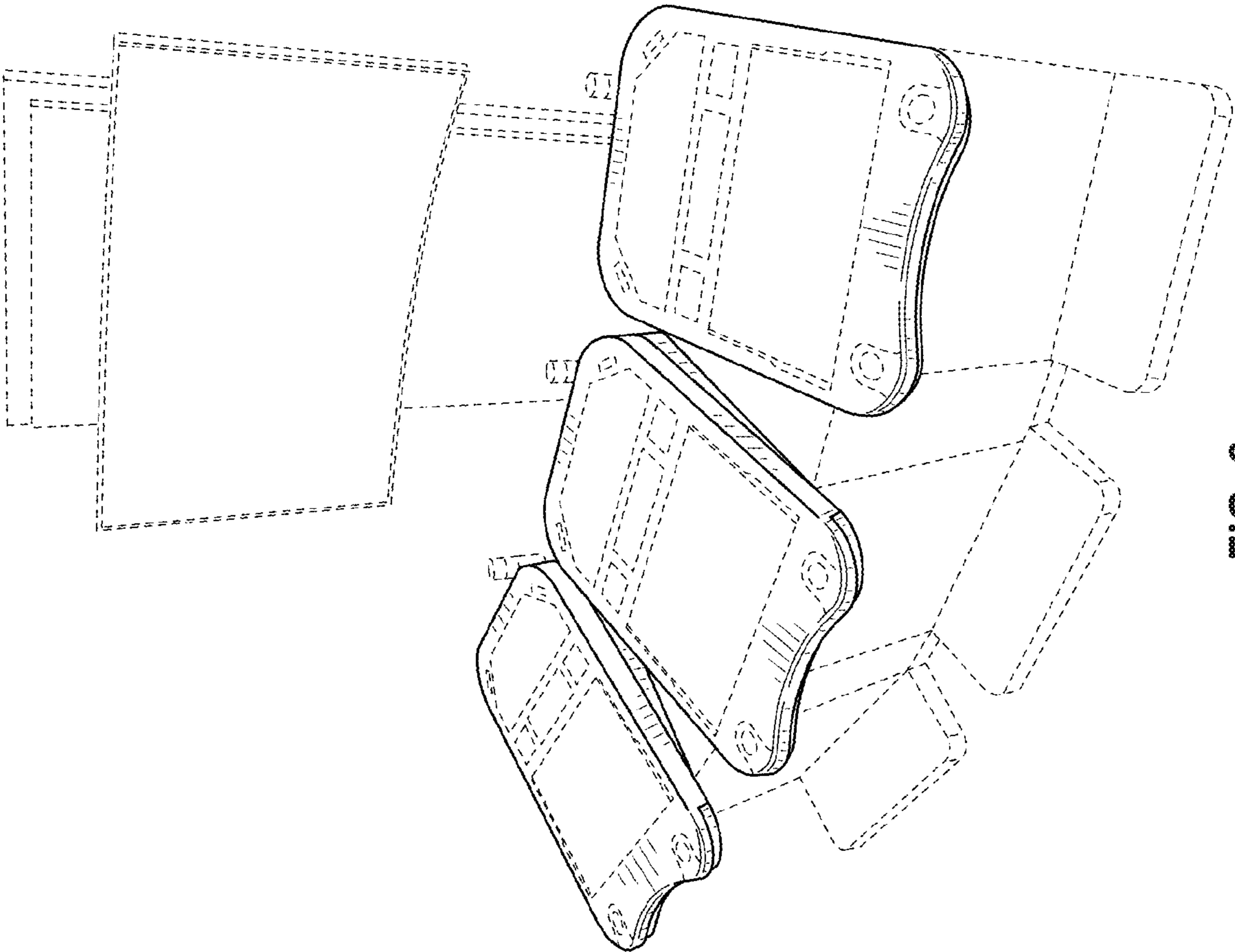


FIG. 6

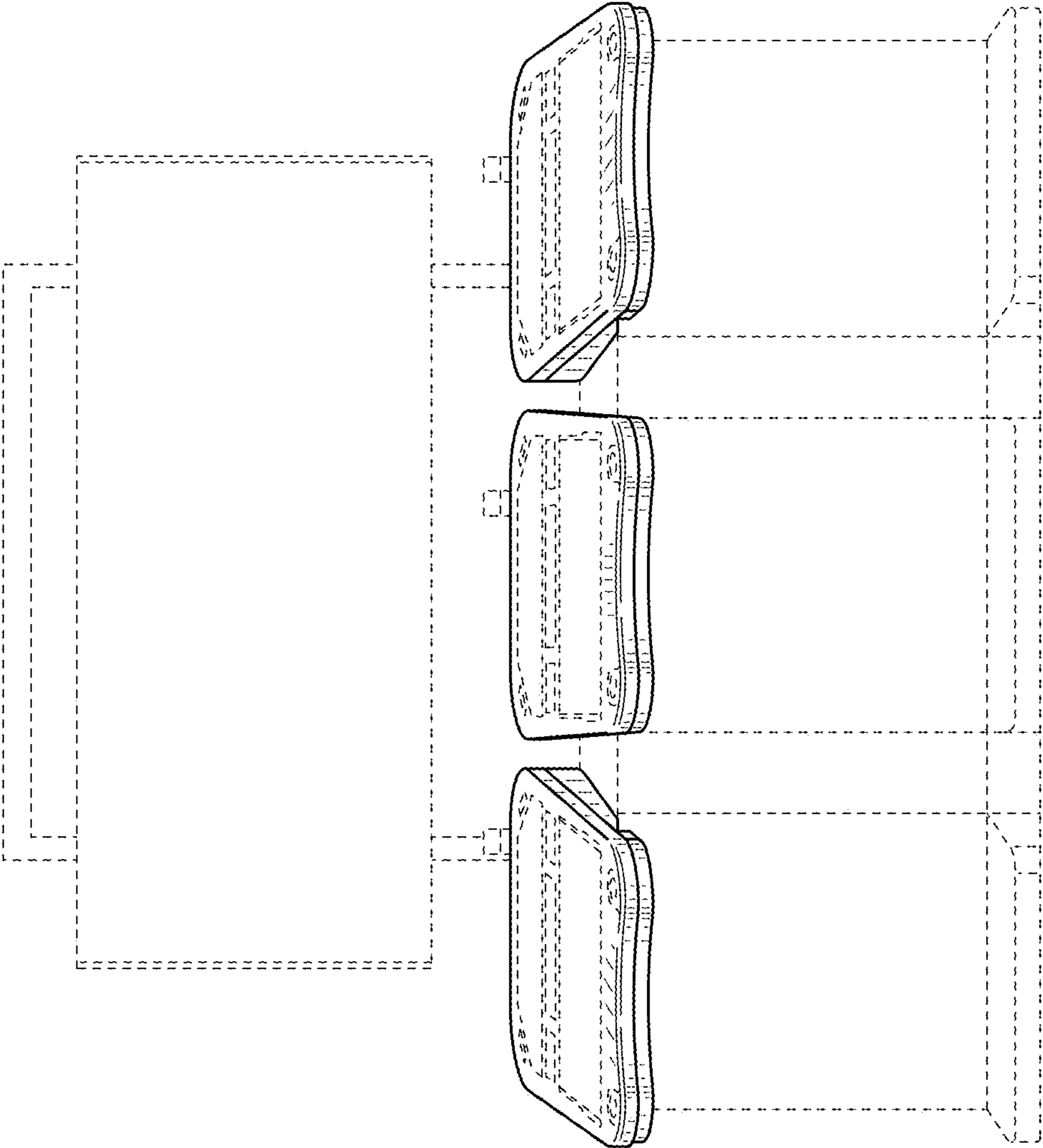


FIG. 7

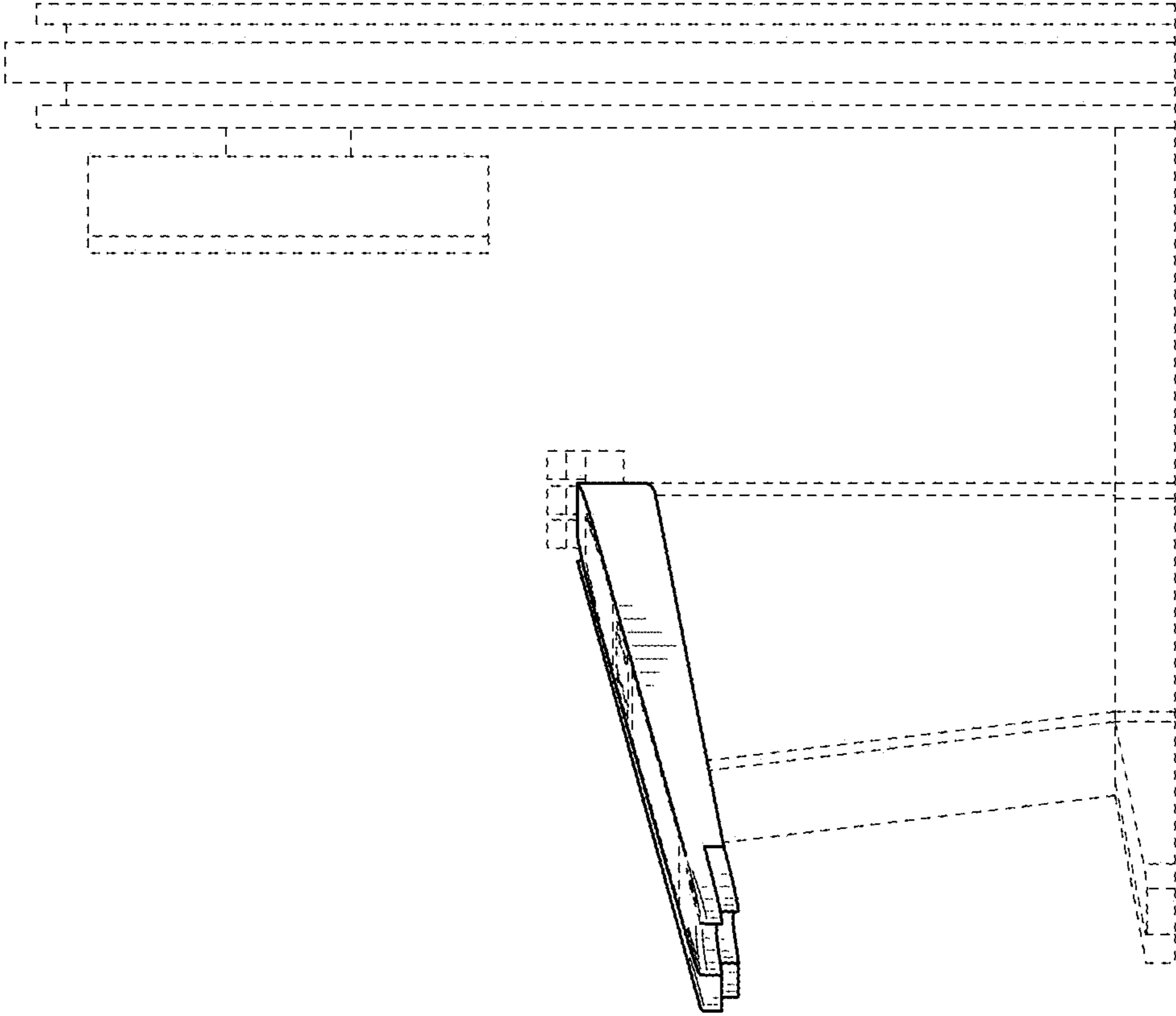


FIG. 8

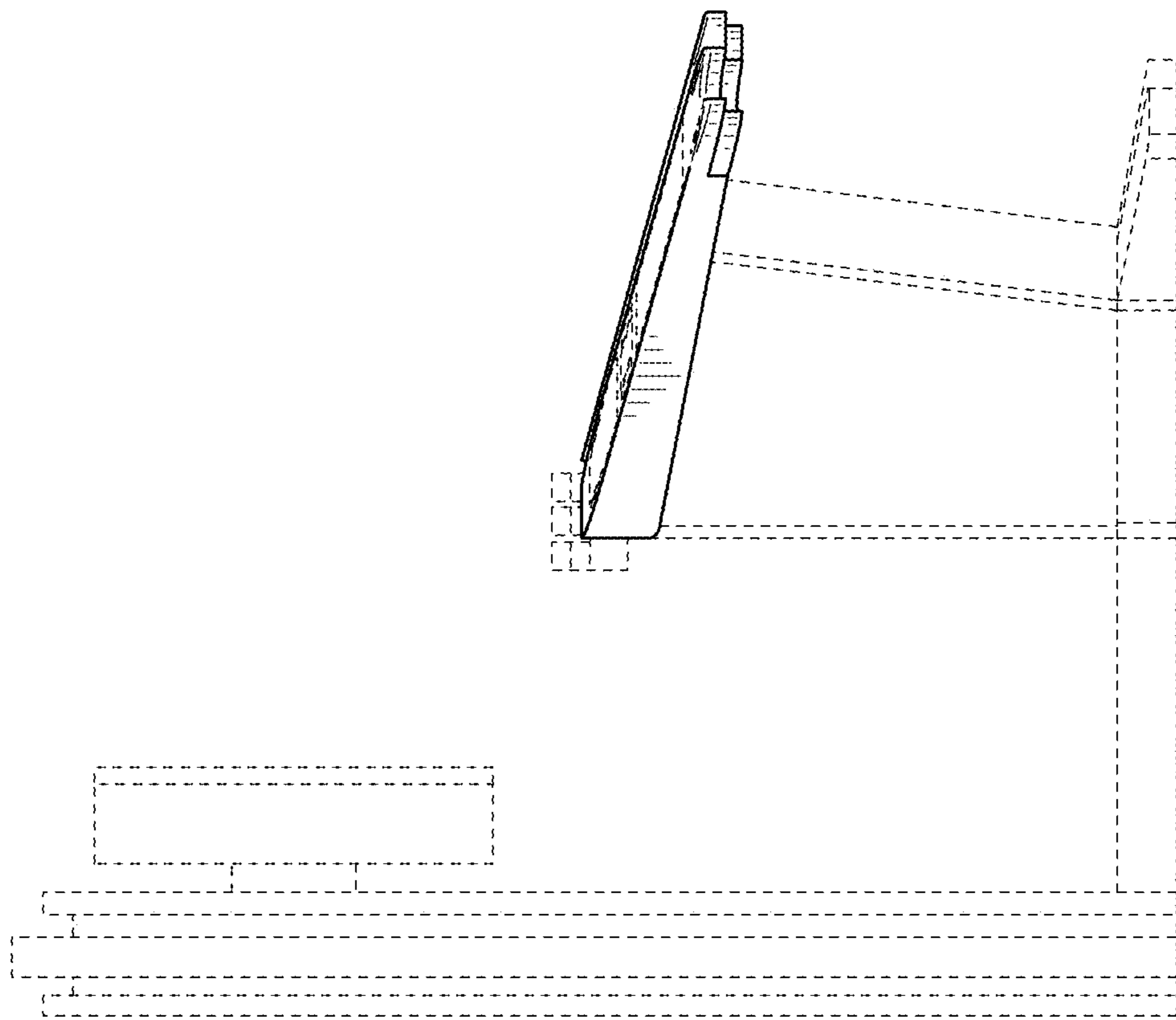


FIG. 9

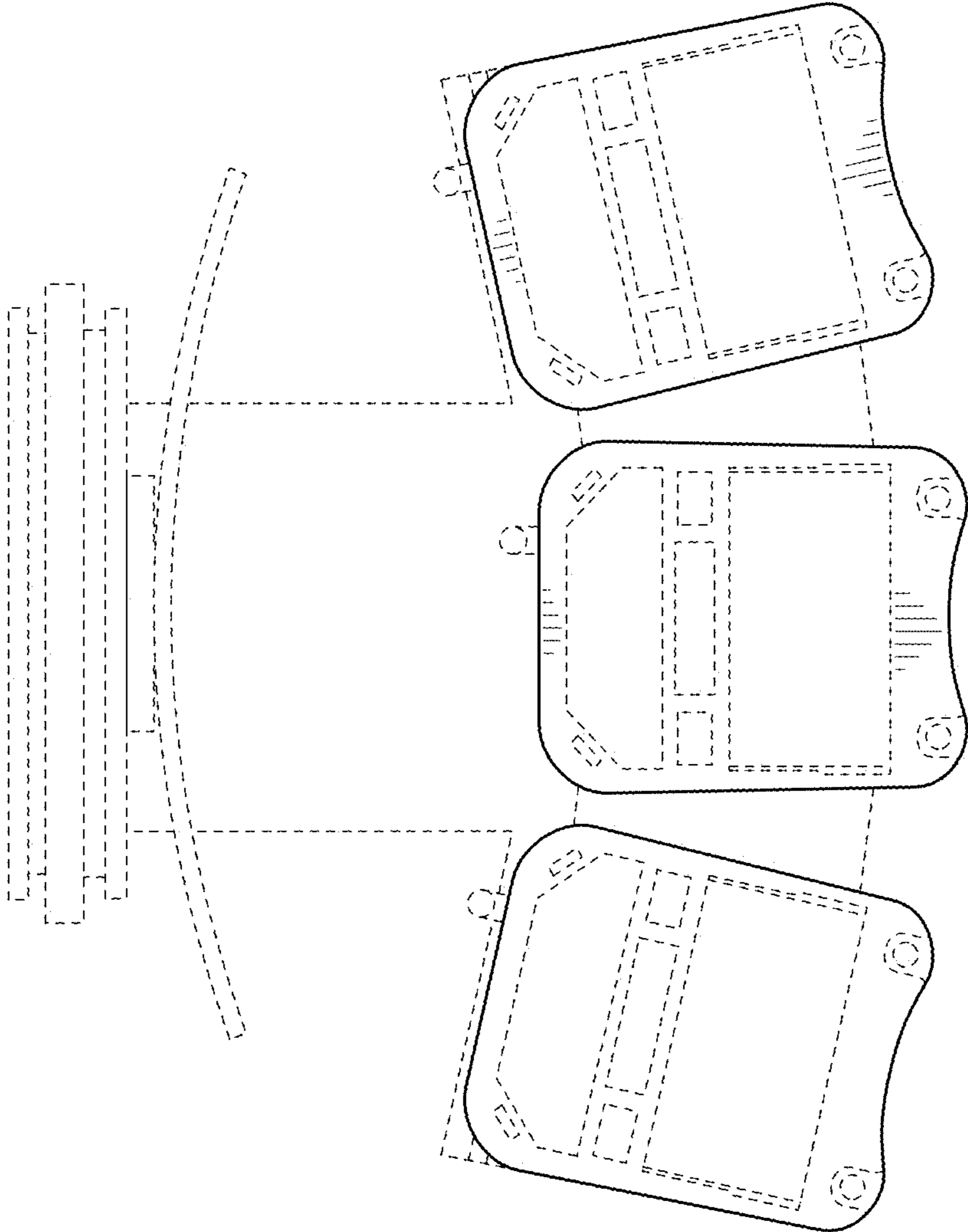


FIG. 10