



US00D970628S

(12) **United States Design Patent** (10) **Patent No.:** **US D970,628 S**
Yan (45) **Date of Patent:** **** Nov. 22, 2022**

(54) **STEERING WHEEL AND PEDAL STAND**

D931,373 S * 9/2021 Ghahramanian D21/326
D936,744 S * 11/2021 Singanallur Murali D21/333
11,224,286 B2 * 1/2022 Pavlov A47B 21/0314

(71) Applicant: **Senyu Technology Development (Guangzhou) Co., Ltd.**, Guangzhou (CN)

OTHER PUBLICATIONS

(72) Inventor: **Ze Qin Yan**, Guangzhou (CN)

Vevor, Published date unavailable [online], [retrieved on Sep. 10, 2022]. Retrieved from the Internet: https://www.vevor.com/racing-wheel-stand-c_11414/universal-racing-wheel-stand-kit-height-angle-adjustable-steering-wheel-stand-for-logitech-thrustmaster-amp-fanatec-p_010520171231 (Year: 2022).*

(73) Assignee: **Senyu Technology Development (Guangzhou) Co., Ltd.**, Guangzhou (CN)

* cited by examiner

(**) Term: **15 Years**

Primary Examiner — Cary M Robinson
Assistant Examiner — Adam C Mager

(21) Appl. No.: **29/838,954**

(74) *Attorney, Agent, or Firm* — ScienBiziP, P.C.

(22) Filed: **May 17, 2022**

(51) **LOC (13) Cl.** **21-01**

(52) **U.S. Cl.**
USPC **D21/333**

(57) **CLAIM**

(58) **Field of Classification Search**
USPC D21/324–333, 335, 349, 351–355, 366, D21/369, 370, 371, 385, 426, 427, 430, D21/471, 477, 566, 662, 686, 694–697, D21/814; D6/334, 335, 356, 366, 368, D6/716; D12/112; D14/399–402, 412, D14/414, 416, 432
CPC A63F 13/803; A63F 13/28; G09B 9/12; A47C 1/026; A47C 1/143; A47C 7/72; A47C 7/5068

The ornamental design for a steering wheel and pedal stand, as shown and described.

See application file for complete search history.

DESCRIPTION

(56) **References Cited**

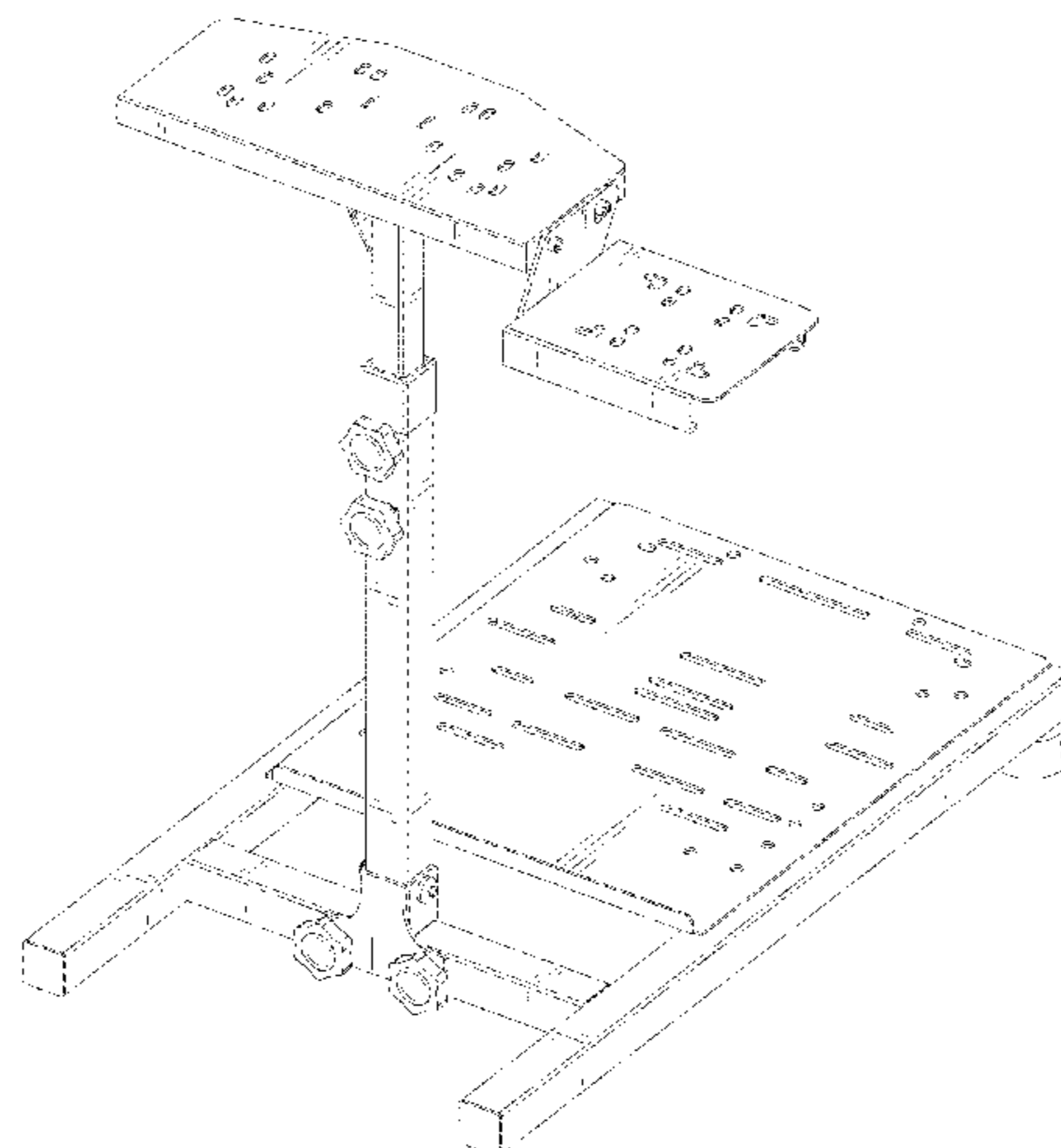
U.S. PATENT DOCUMENTS

D615,596 S * 5/2010 Bik D21/324
D642,222 S * 7/2011 Pezzoni D21/333
D656,553 S * 3/2012 Blaskov D21/333
8,166,695 B2 * 5/2012 Pippin F41A 23/06
42/94
D852,562 S * 7/2019 Jui D6/716
D930,081 S * 9/2021 Ghahramanian D21/326
D930,748 S * 9/2021 Ghahramanian D21/326

FIG. 1 is a front, right and top perspective view of a steering wheel and pedal stand, showing my design.
FIG. 2 is a rear, left and bottom perspective view thereof.
FIG. 3 is a front elevation view thereof.
FIG. 4 is a rear elevation view thereof.
FIG. 5 is a left side elevation view thereof.
FIG. 6 is a right side elevation view thereof.
FIG. 7 is a top plan view thereof.
FIG. 8 is a bottom plan view thereof.
FIG. 9 is another front, right and top perspective view of the steering wheel and pedal stand in a folded state; and,
FIG. 10 is a partial enlarged view of an area labeled 10 in FIG. 2.

The broken lines shown in the drawings are included for the purpose of illustrating portions of the steering wheel and pedal stand that form no part of the claimed design. In

(Continued)



addition, the dot-dash broken lines in FIGS. 2 and 10 depict the boundaries of the enlargements that form no part of the claimed design.

1 Claim, 10 Drawing Sheets

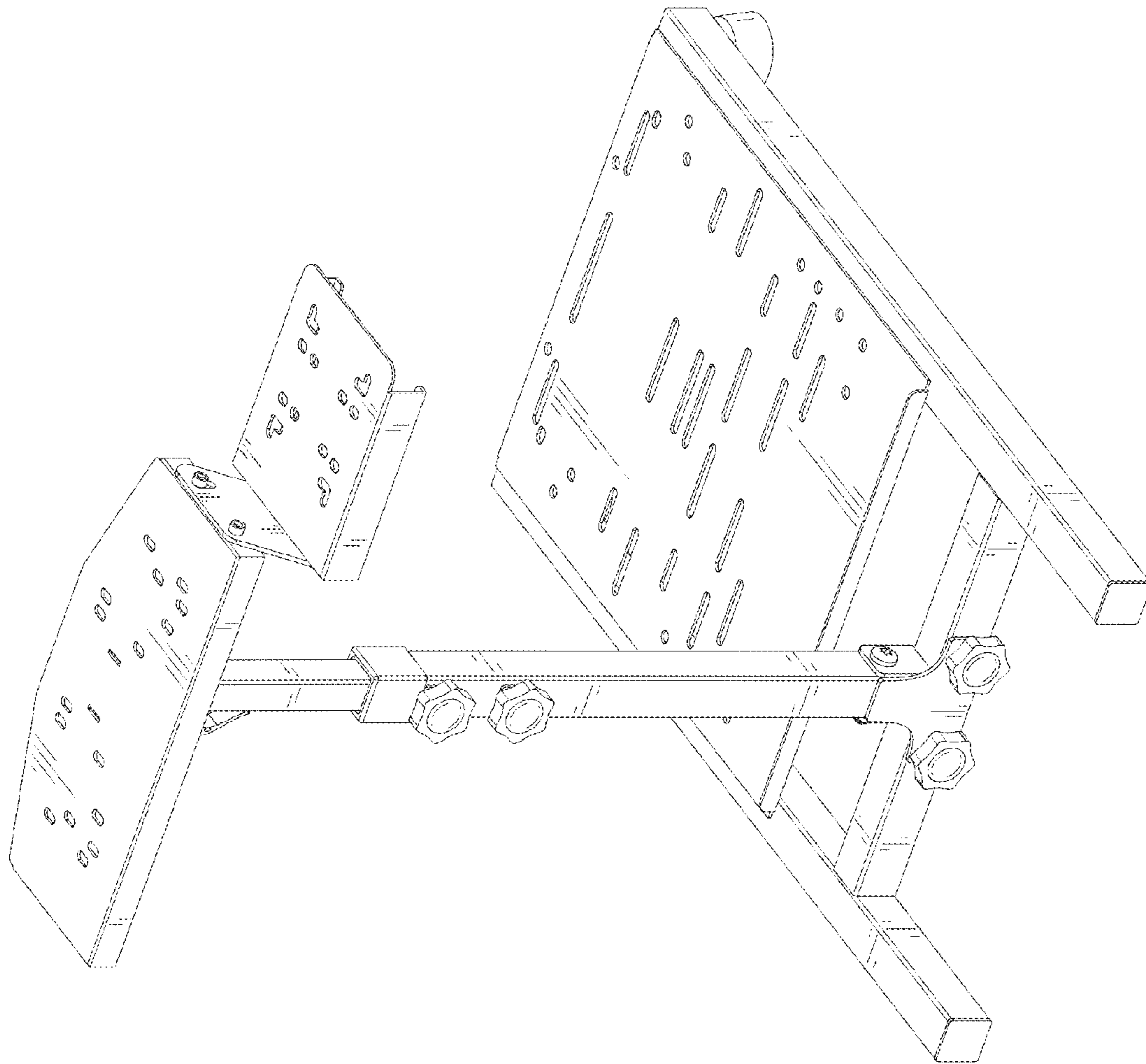


FIG.1

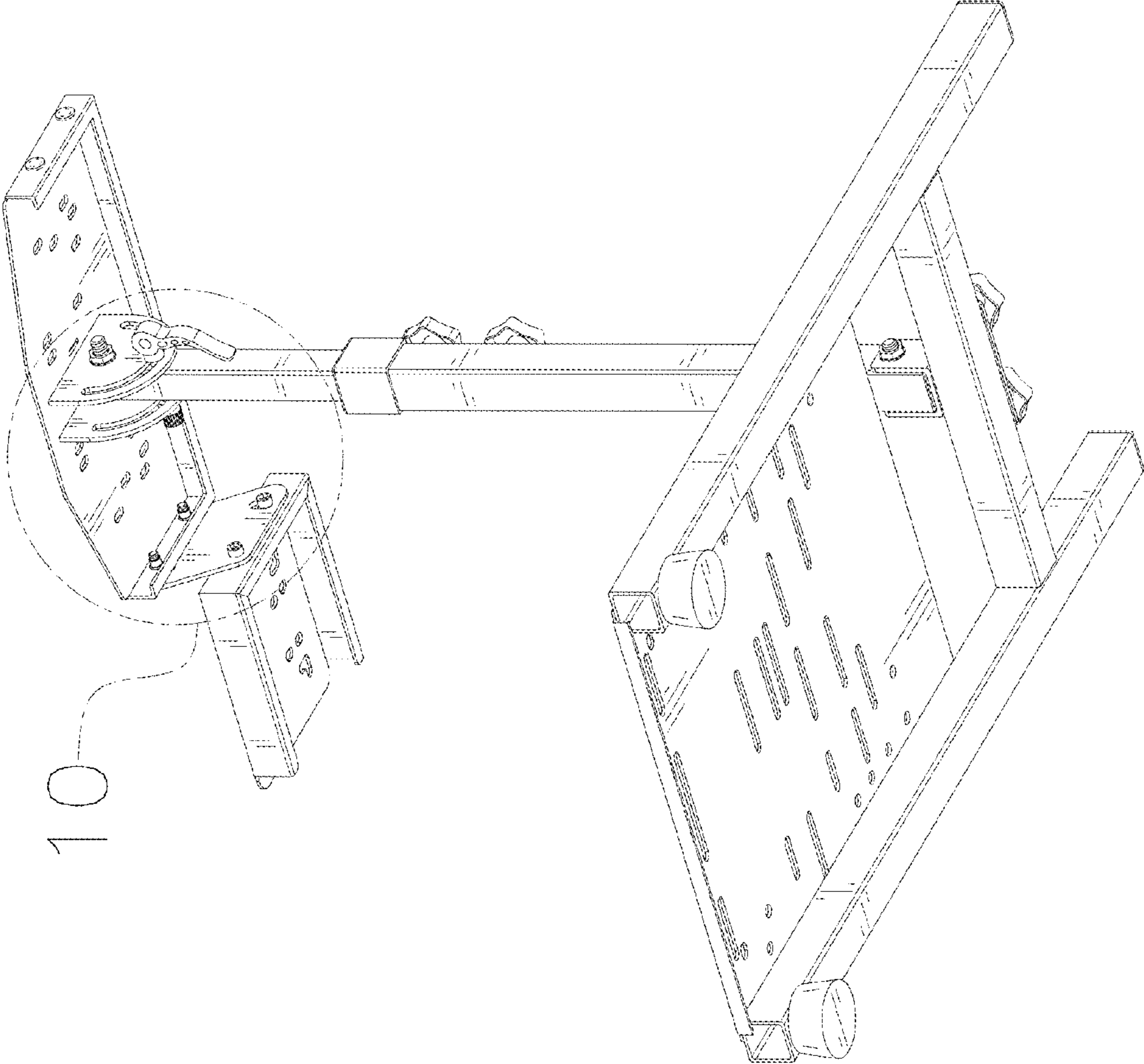


FIG.2

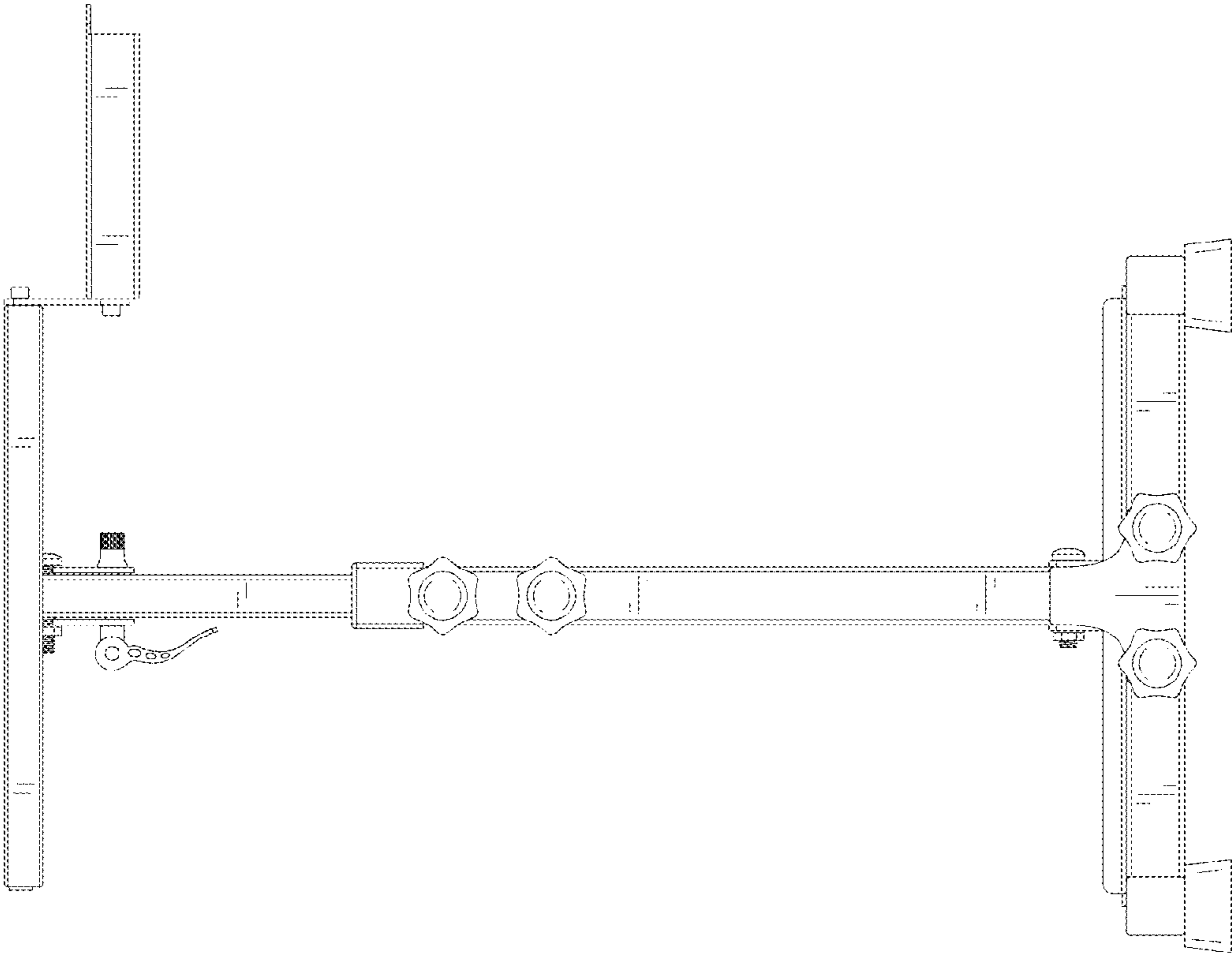


FIG. 3

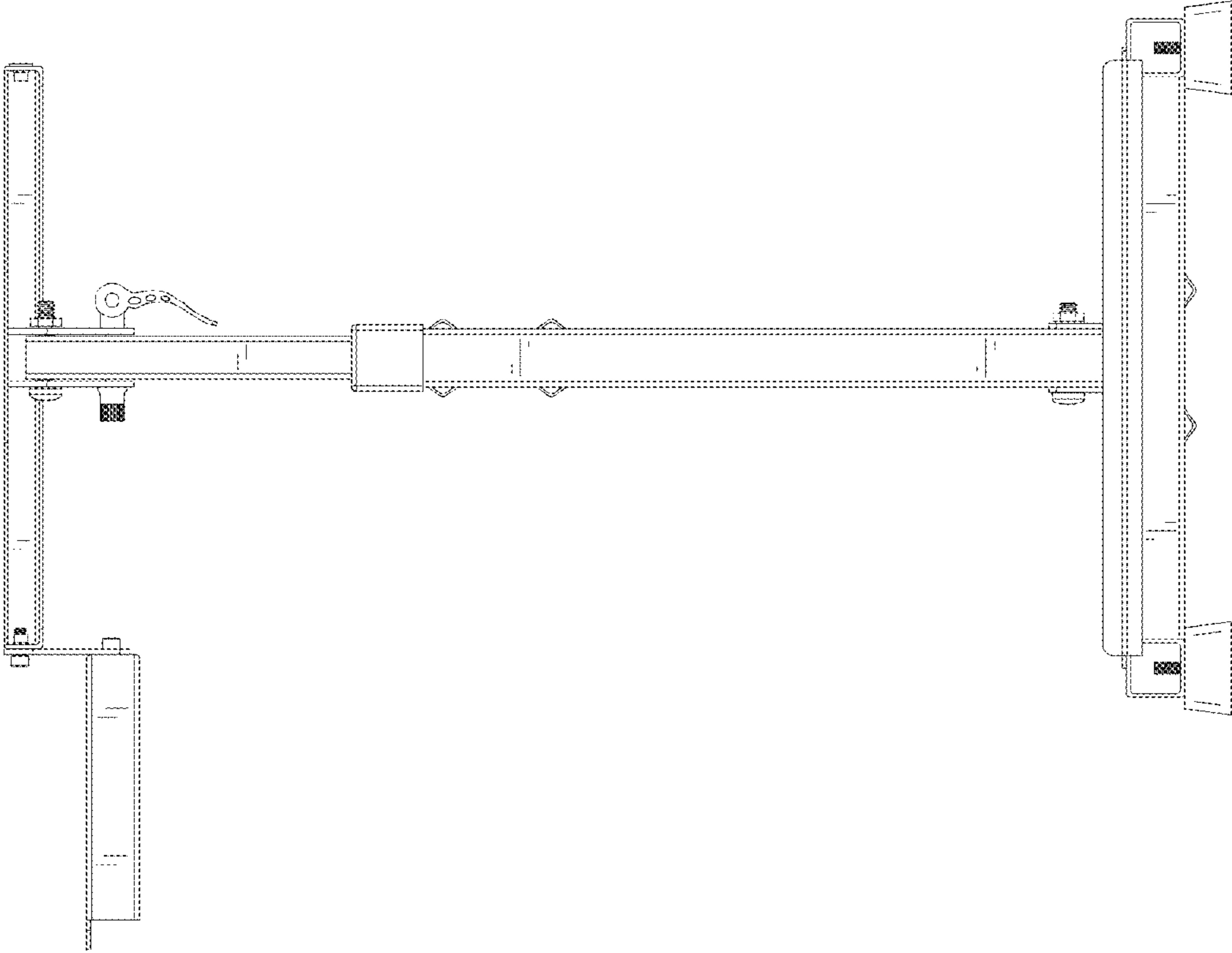


FIG.4

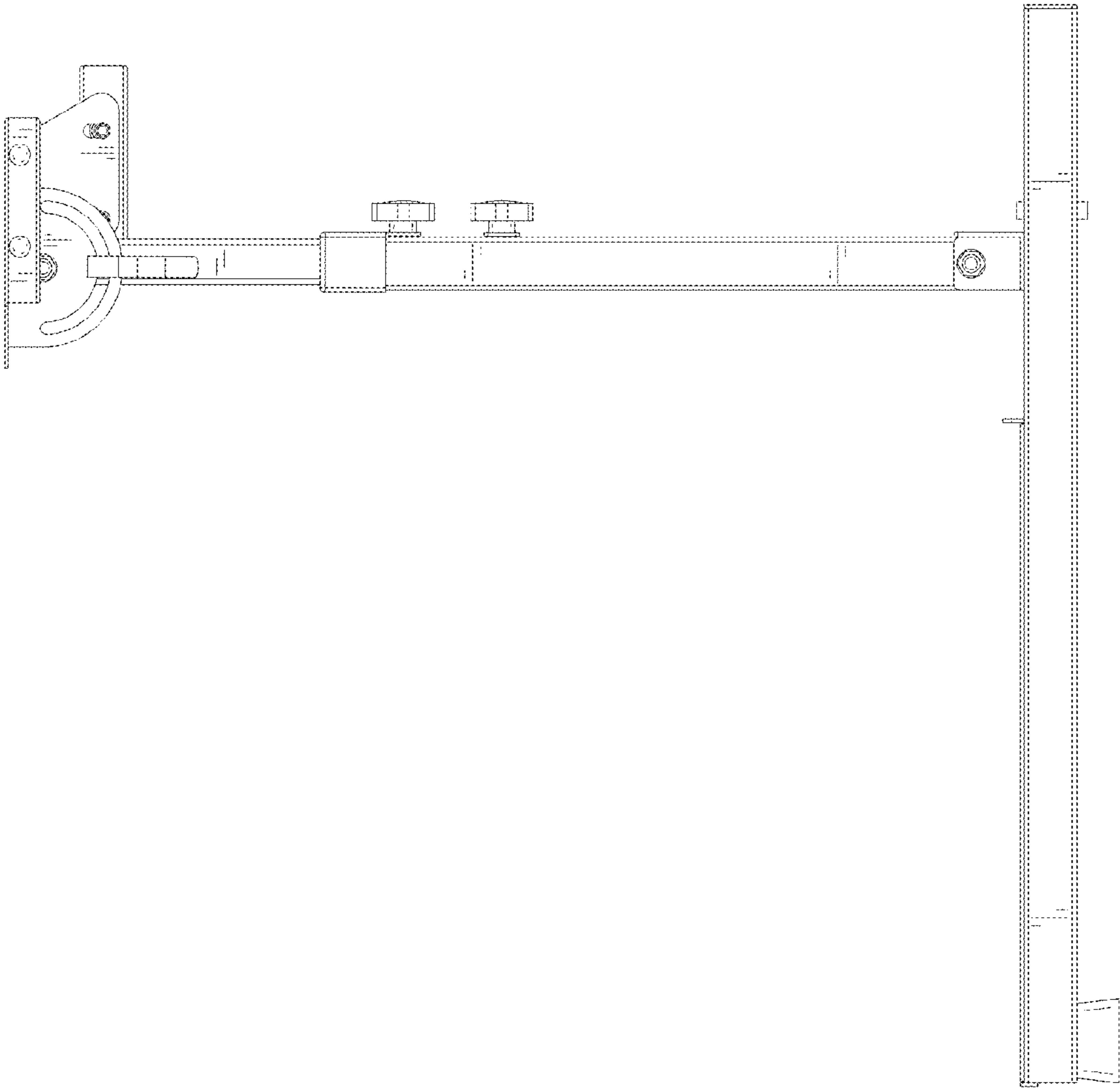


FIG.5

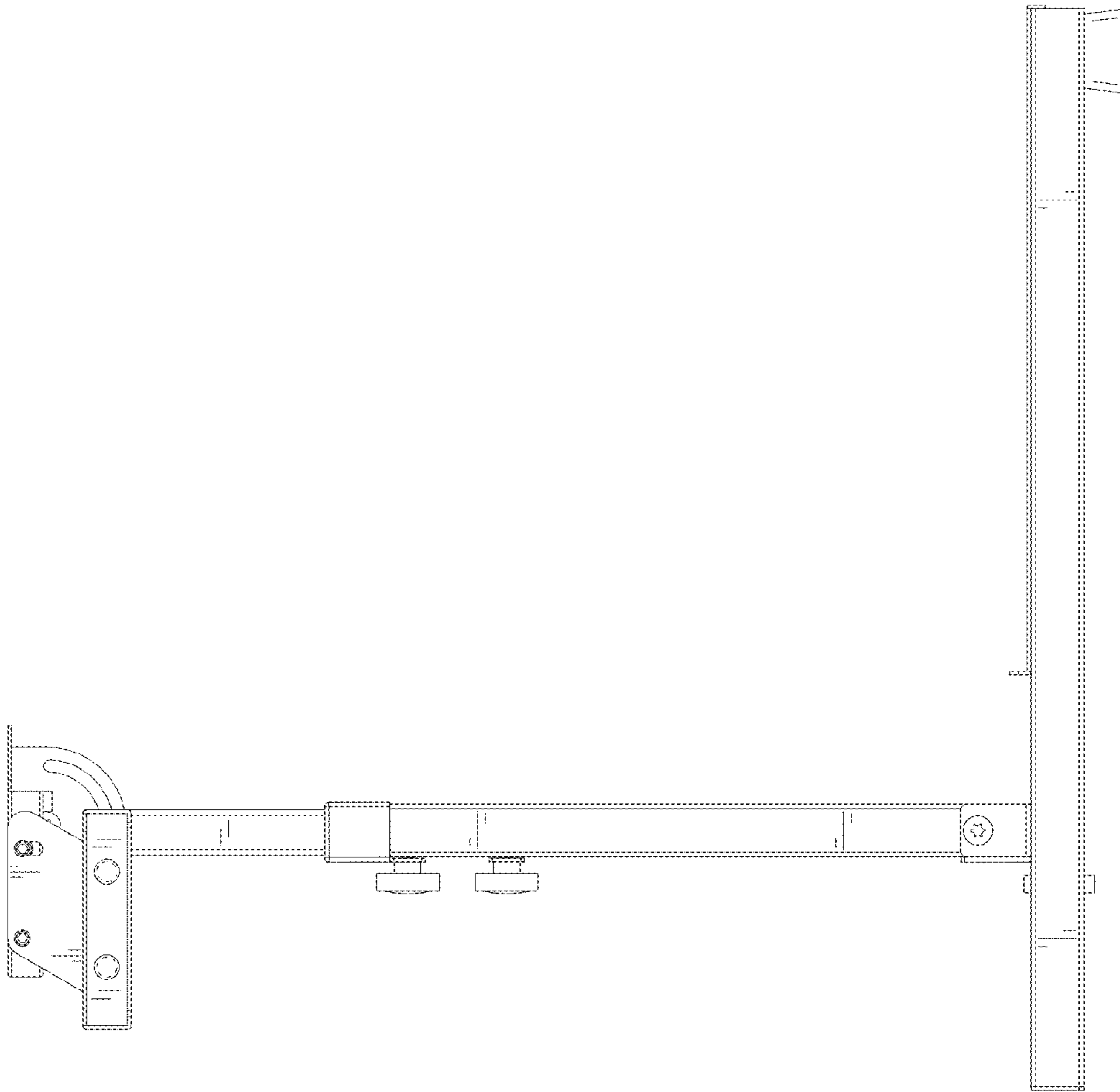


FIG. 6

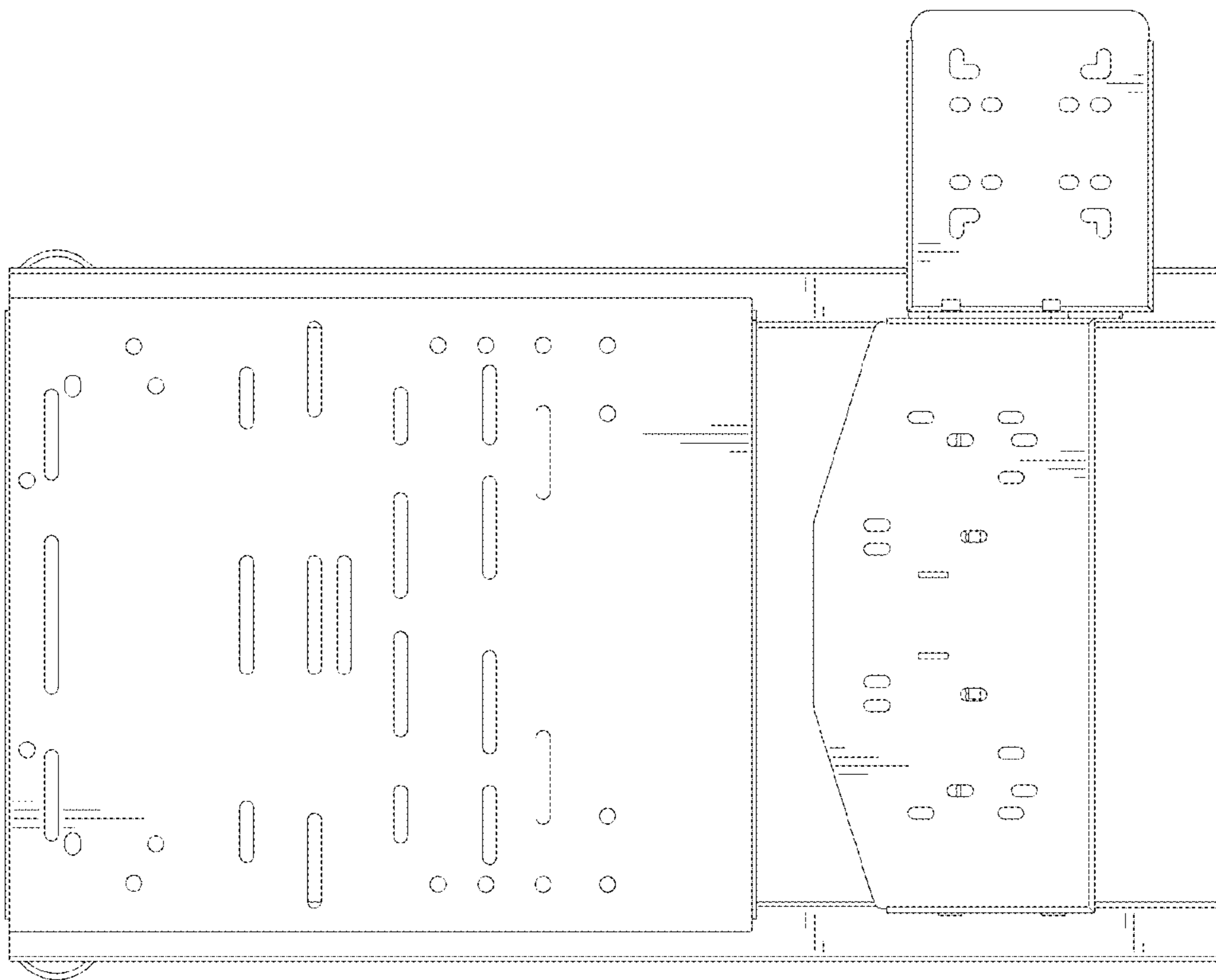


FIG.7

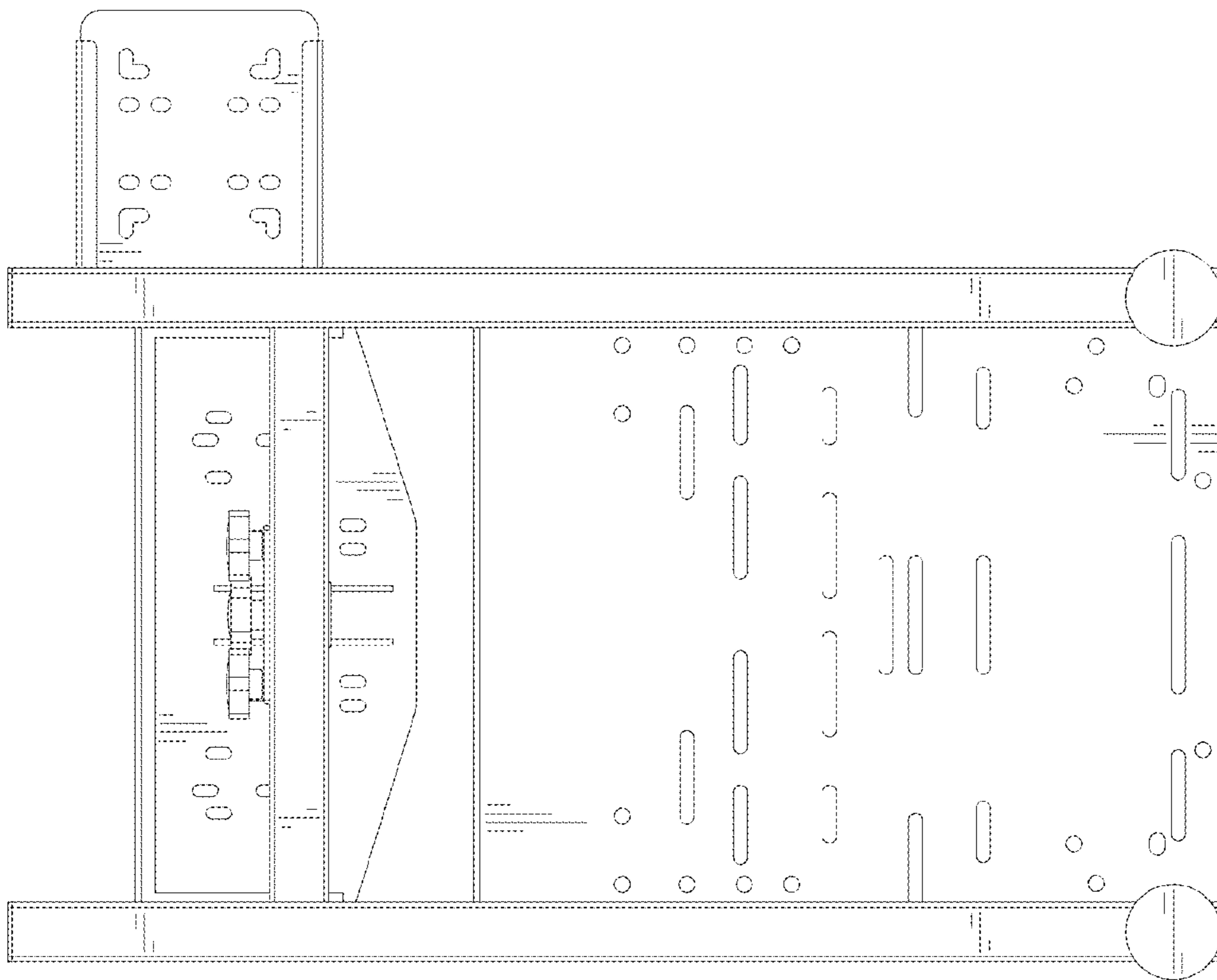


FIG. 8

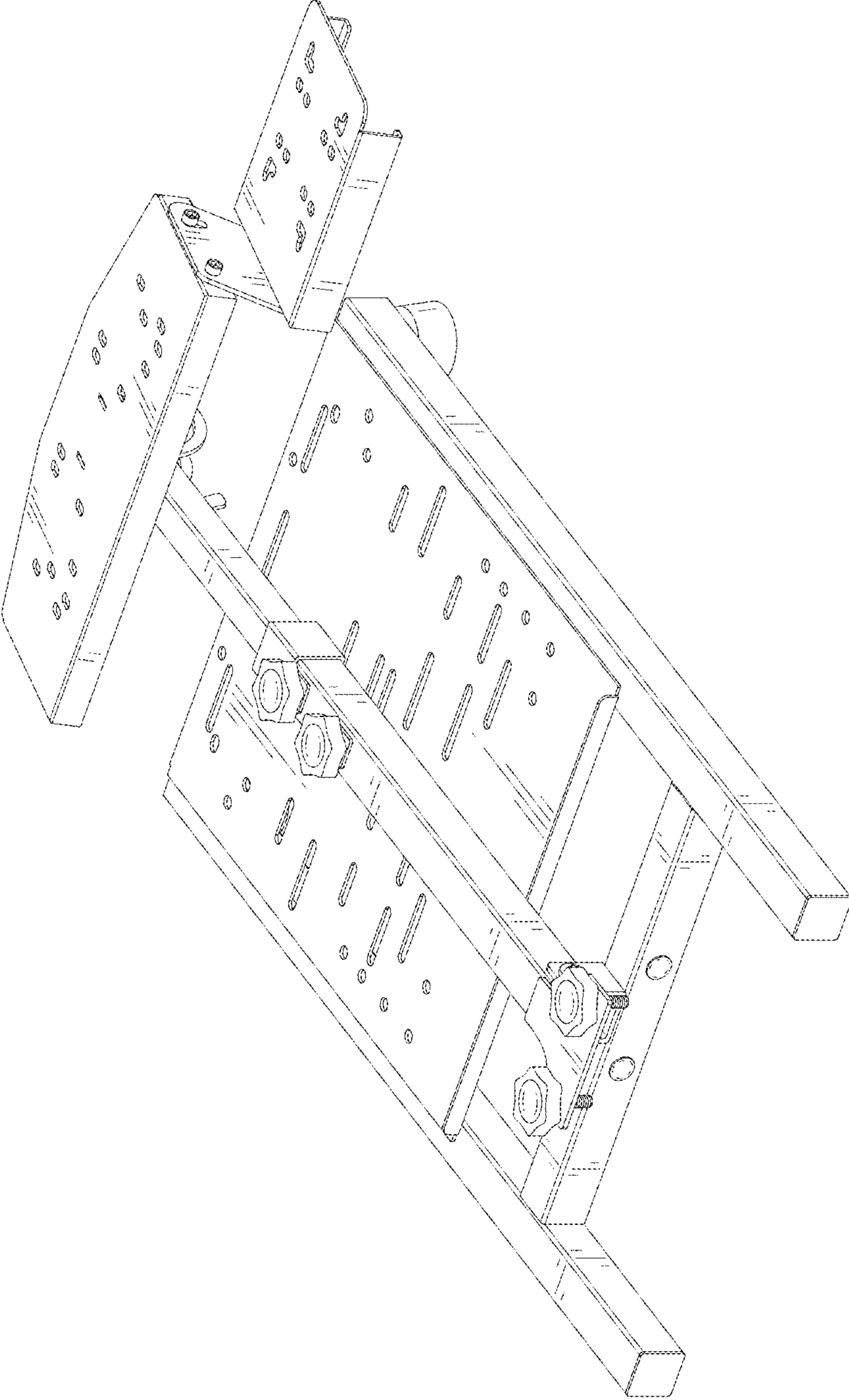


FIG.9

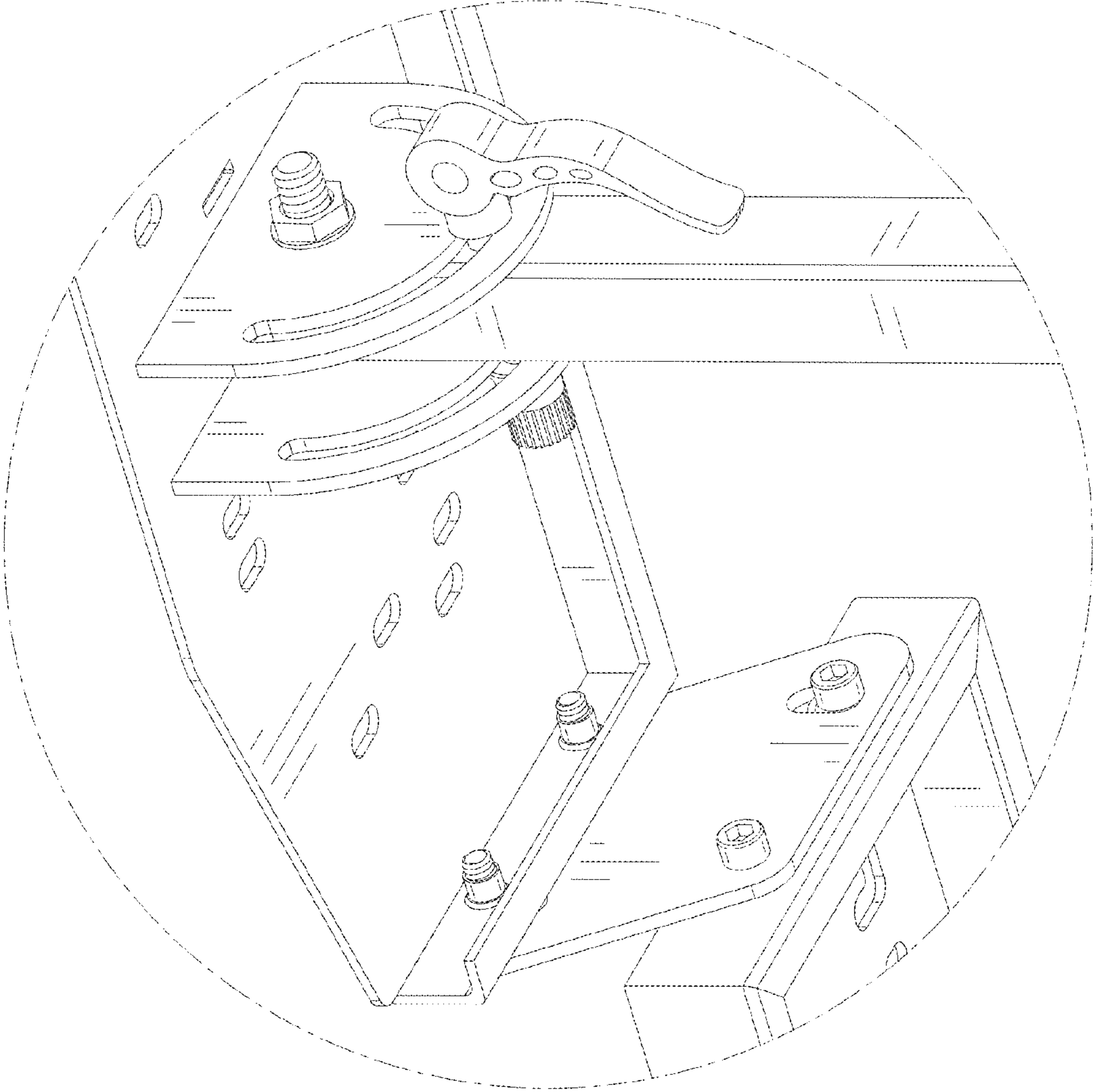


FIG.10