



US00D970626S

(12) **United States Design Patent**  
**Liu**

(10) **Patent No.:** **US D970,626 S**

(45) **Date of Patent:** **\*\* Nov. 22, 2022**

(54) **THUMBSTICK SET FOR GAME CONTROLLER**

(71) Applicant: **Rui Liu**, Shenzhen (CN)

(72) Inventor: **Rui Liu**, Shenzhen (CN)

(\*\*) Term: **15 Years**

(21) Appl. No.: **29/802,987**

(22) Filed: **Aug. 10, 2021**

(51) **LOC (13) Cl.** ..... **21-01**

(52) **U.S. Cl.**  
USPC ..... **D21/333**

(58) **Field of Classification Search**  
USPC ..... D14/388, 389, 390, 412–417, 454, 455;  
D21/324, 333  
CPC ..... A63F 13/20; A63F 13/24; A63F 13/245;  
A63F 13/98  
See application file for complete search history.

(56) **References Cited**

**U.S. PATENT DOCUMENTS**

D537,319 S *	2/2007	Fields	.....	D8/310
D569,220 S *	5/2008	McConnell	.....	D8/310
D722,259 S *	2/2015	Conner	.....	D8/310
D762,780 S *	8/2016	Mistry	.....	D14/401
D762,781 S *	8/2016	Mistry	.....	D14/401

D762,782 S *	8/2016	Walker, II	.....	D14/401
D777,168 S *	1/2017	Hill	.....	D14/454
D868,163 S *	11/2019	Mistry	.....	D21/333
D890,262 S *	7/2020	Mistry	.....	D21/333
D900,226 S *	10/2020	DeLille	.....	D21/333
D917,622 S *	4/2021	Hsu	.....	D21/333
D955,504 S *	6/2022	Mistry	.....	D21/566

\* cited by examiner

*Primary Examiner* — Joseph Kukella

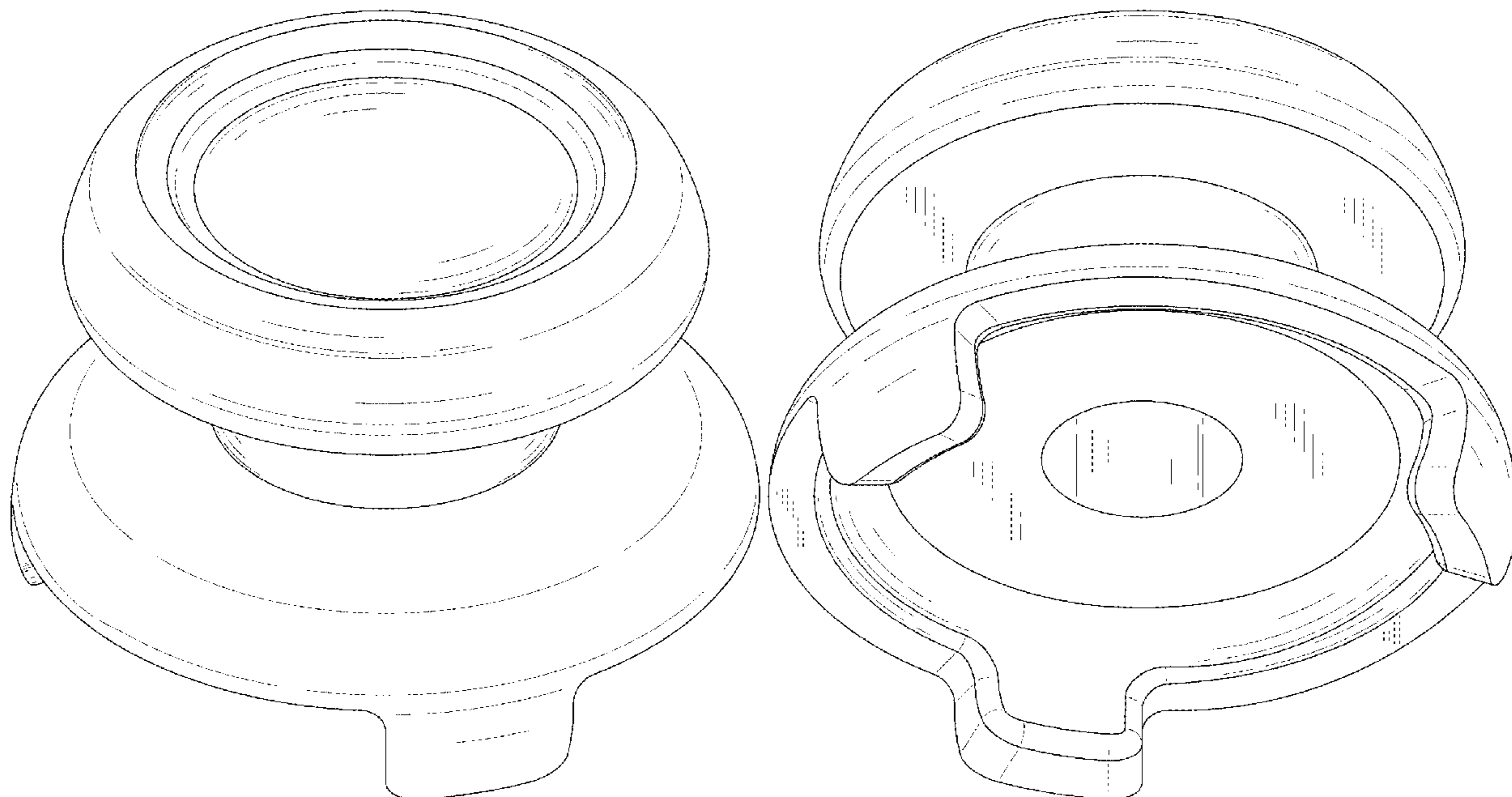
(57) **CLAIM**

The ornamental design for a thumbstick set for game controller, as shown and described.

**DESCRIPTION**

FIG. 1 is a first perspective view of a thumbstick set for game controller showing my new design;  
 FIG. 2 is a second perspective view thereof;  
 FIG. 3 is a front view thereof;  
 FIG. 4 is a back view thereof;  
 FIG. 5 is a left side view thereof;  
 FIG. 6 is a right side view thereof;  
 FIG. 7 is a top view thereof;  
 FIG. 8 is a bottom view thereof; and,  
 FIG. 9 is a perspective view of the using state of the thumbstick set for game controller thereof.  
 The broken lines shown in the drawings depict portions of the thumbstick set for game controller in which the design is embodied that form no part of the claimed design.

**1 Claim, 9 Drawing Sheets**



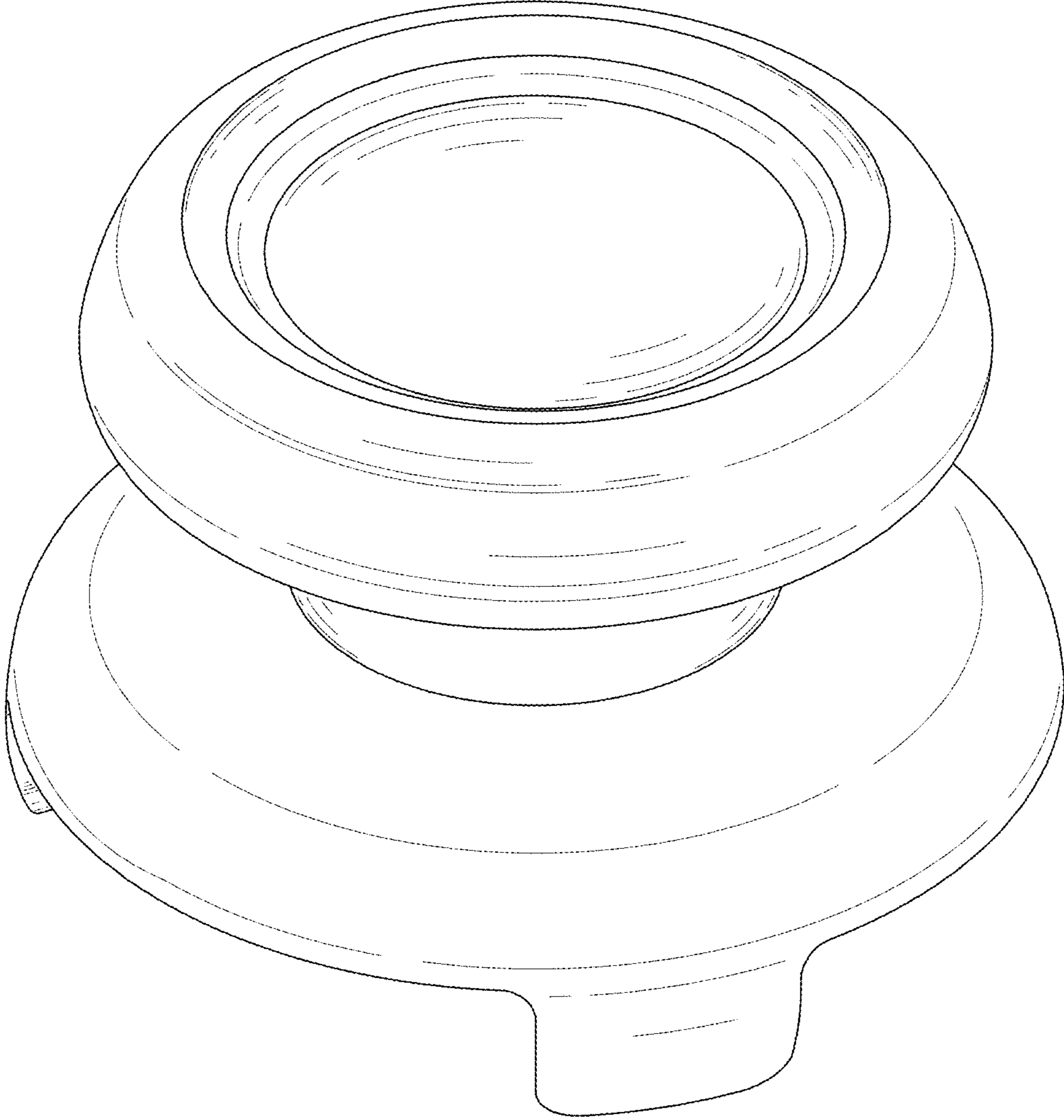


FIG. 1

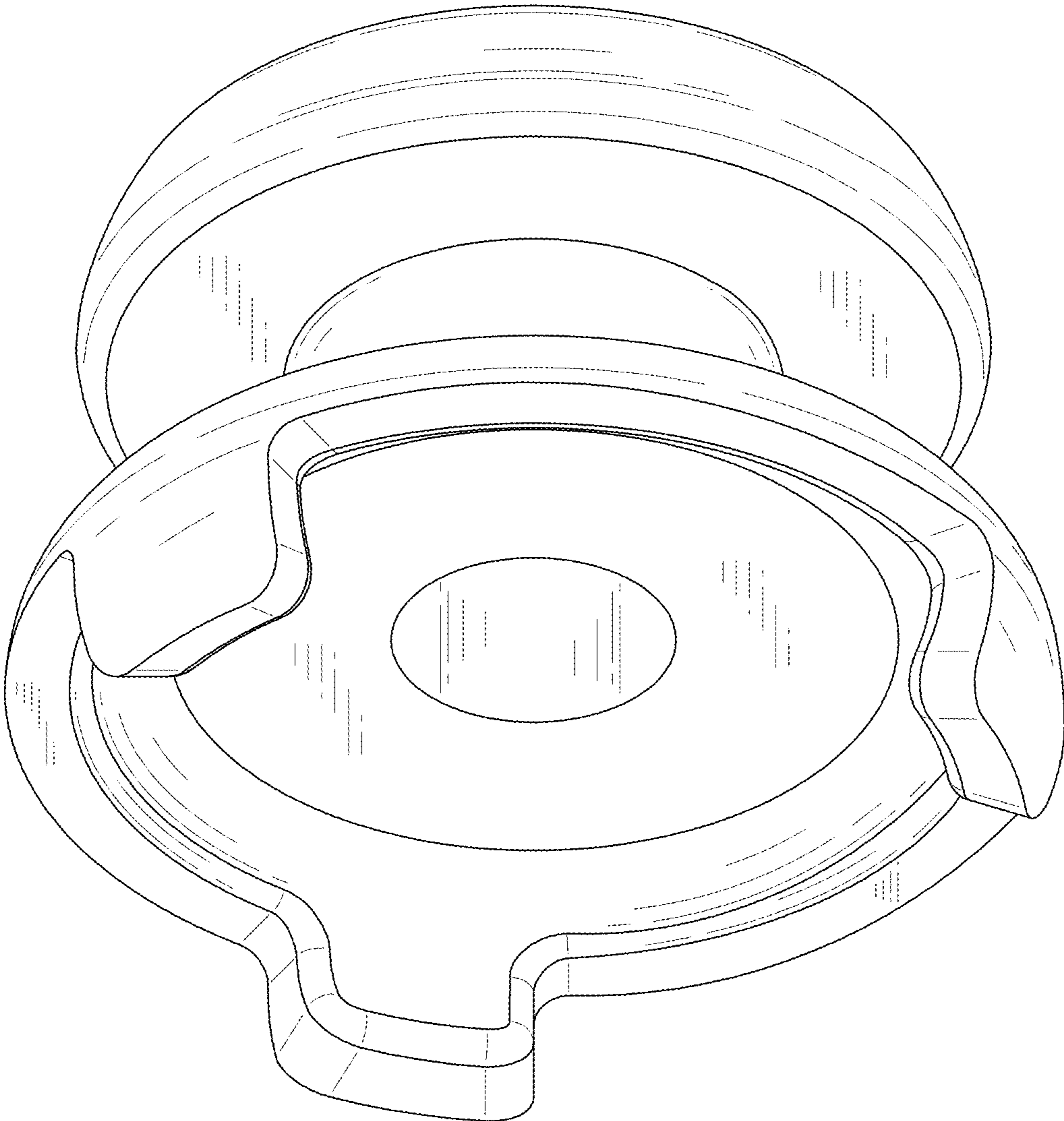


FIG. 2

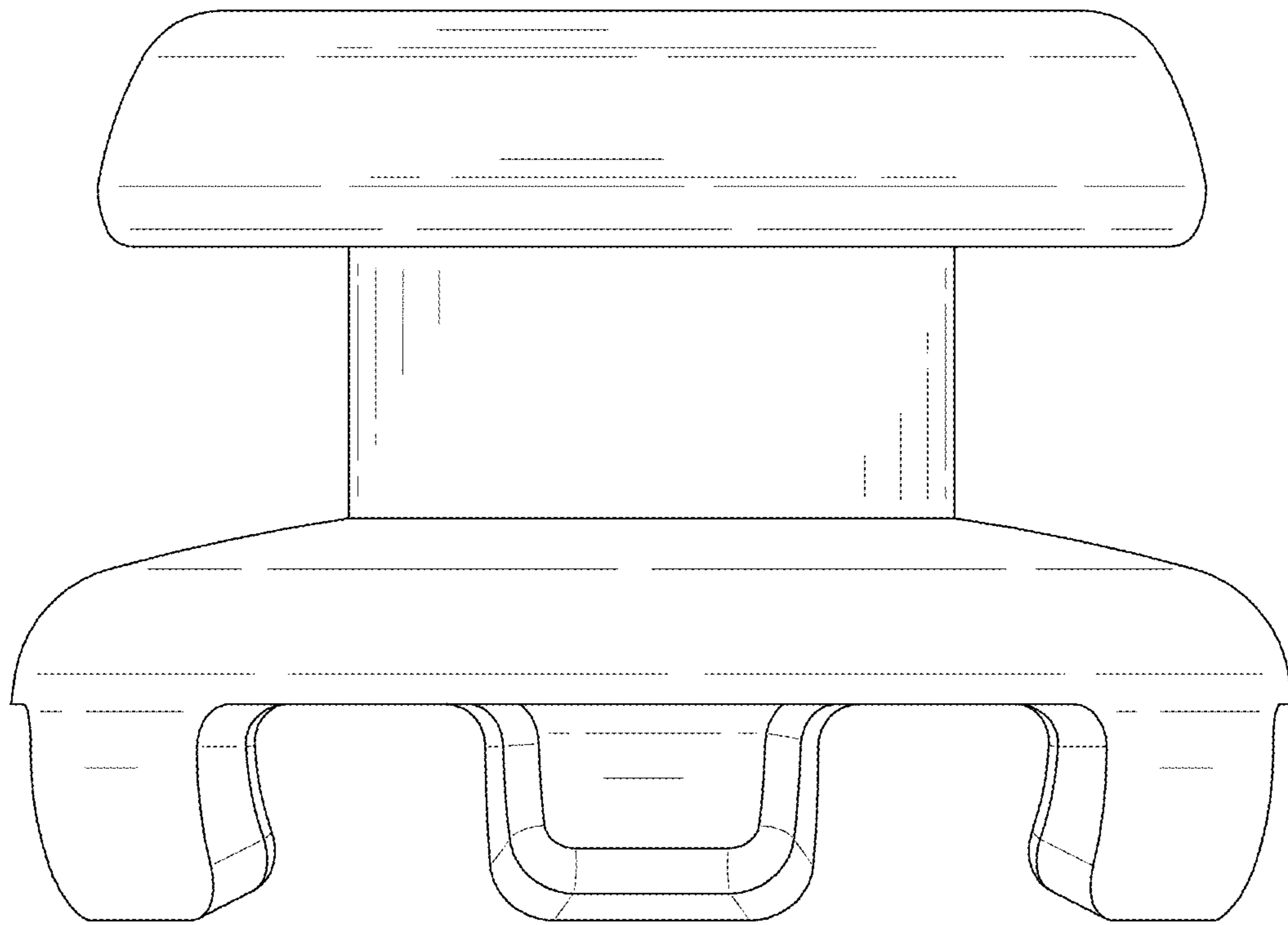


FIG. 3

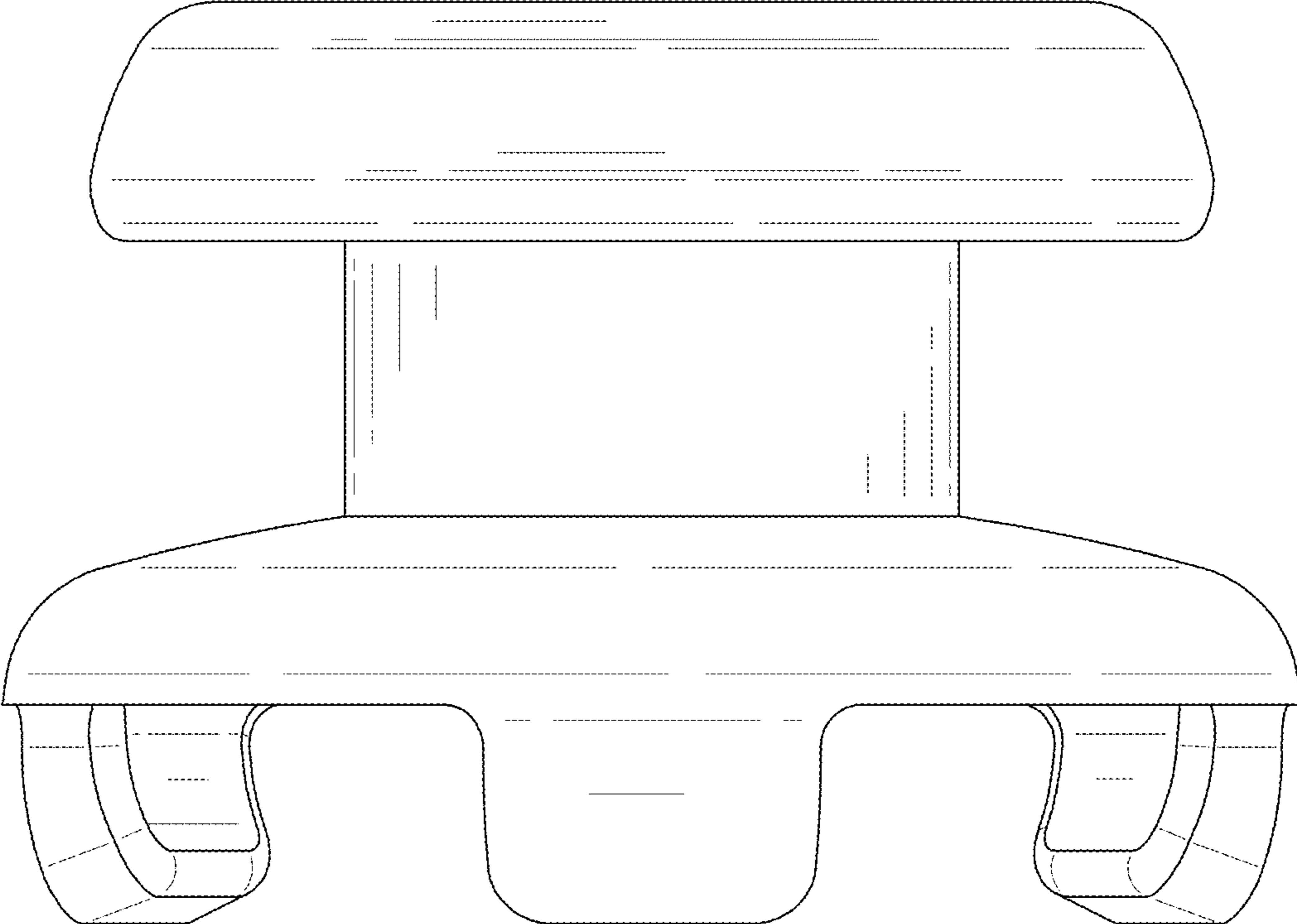


FIG. 4

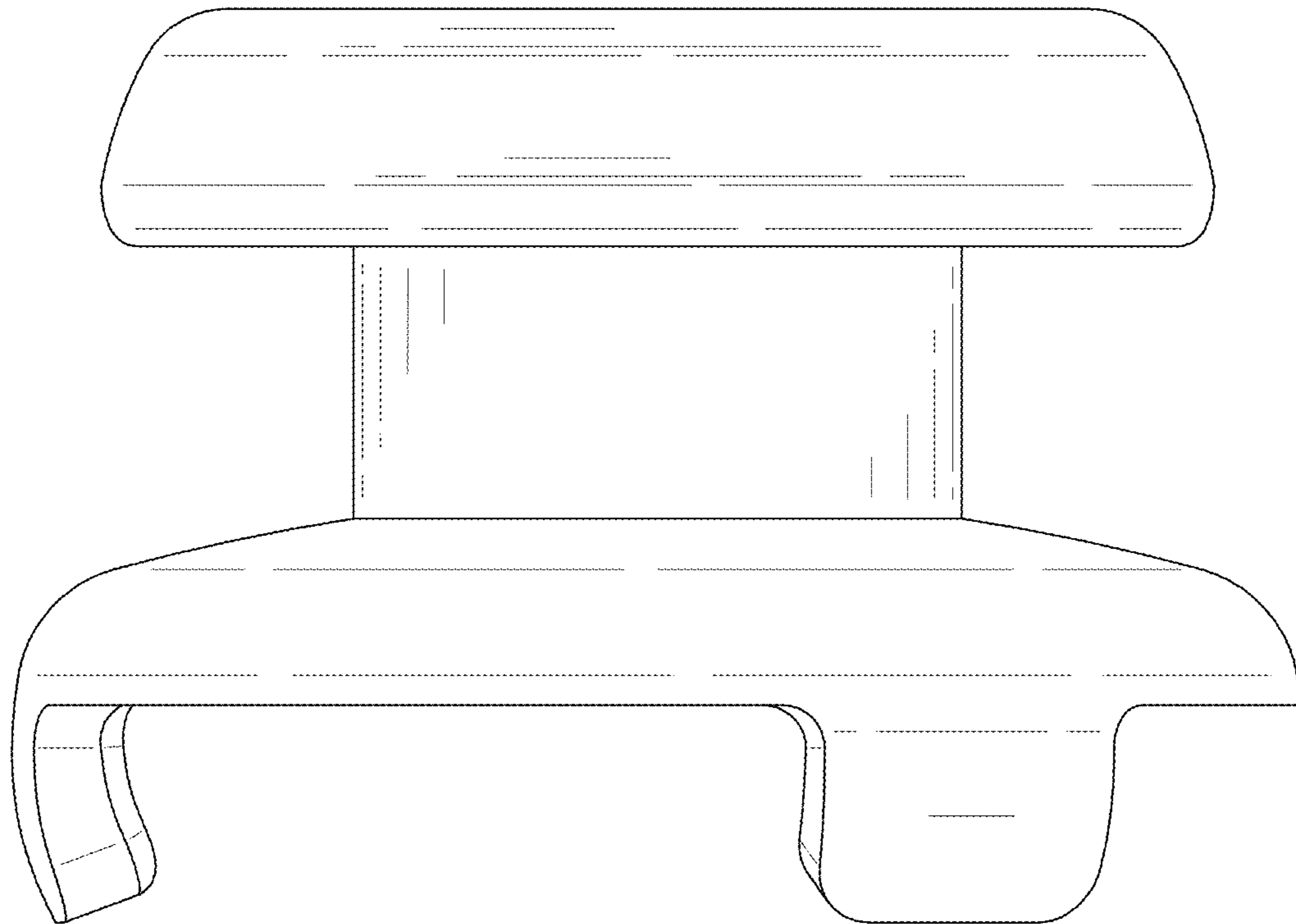


FIG. 5

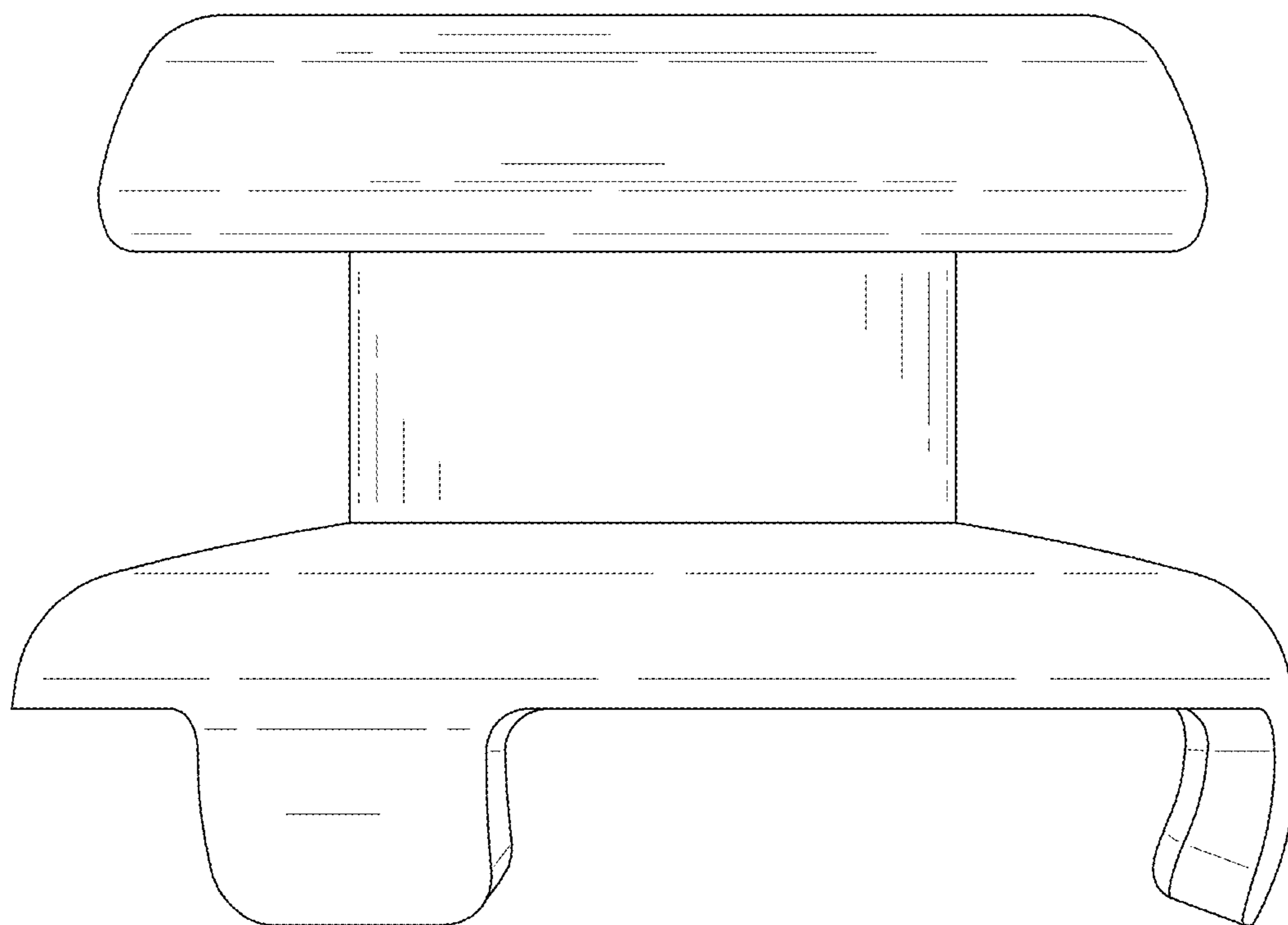


FIG. 6

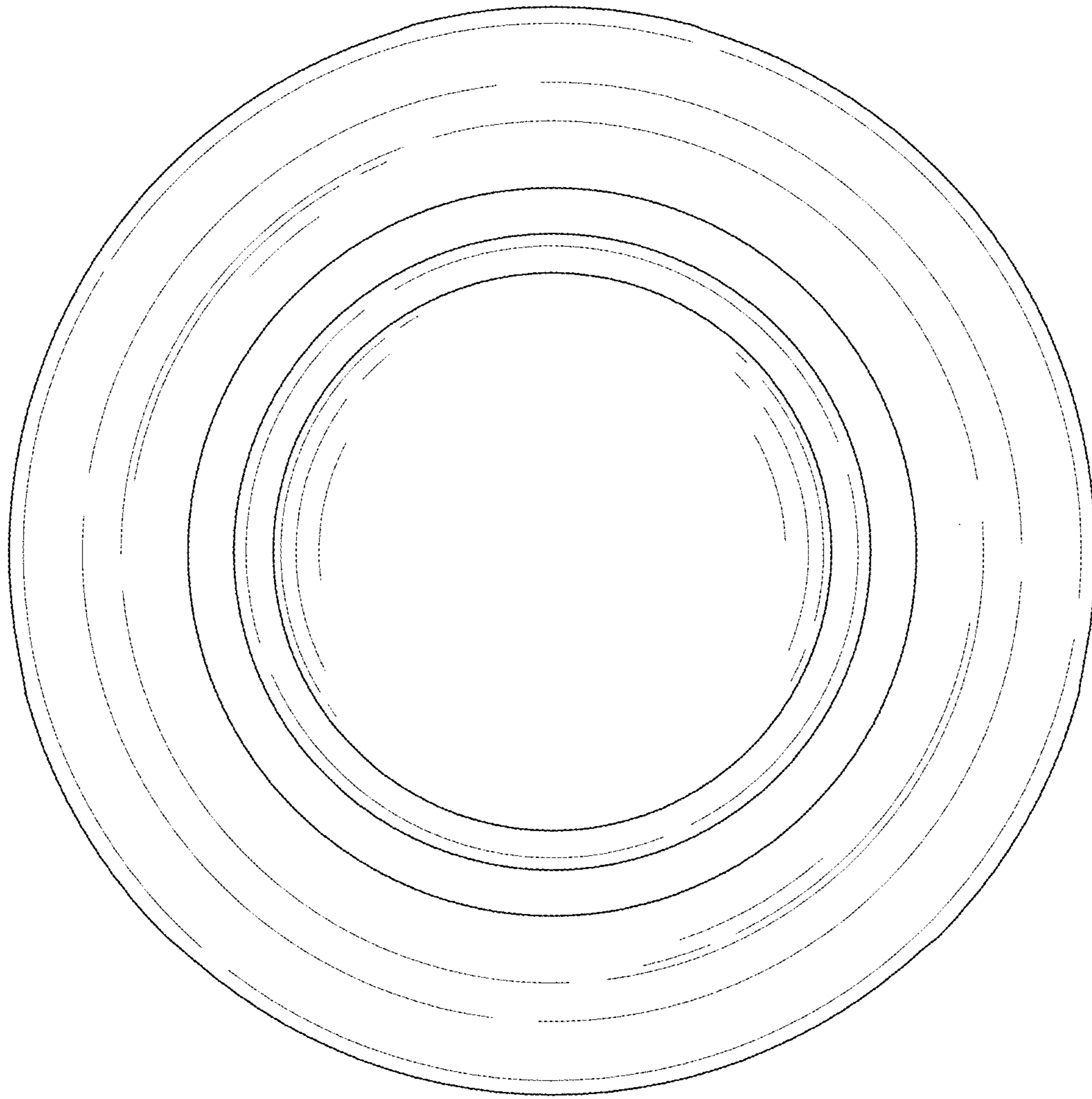


FIG. 7



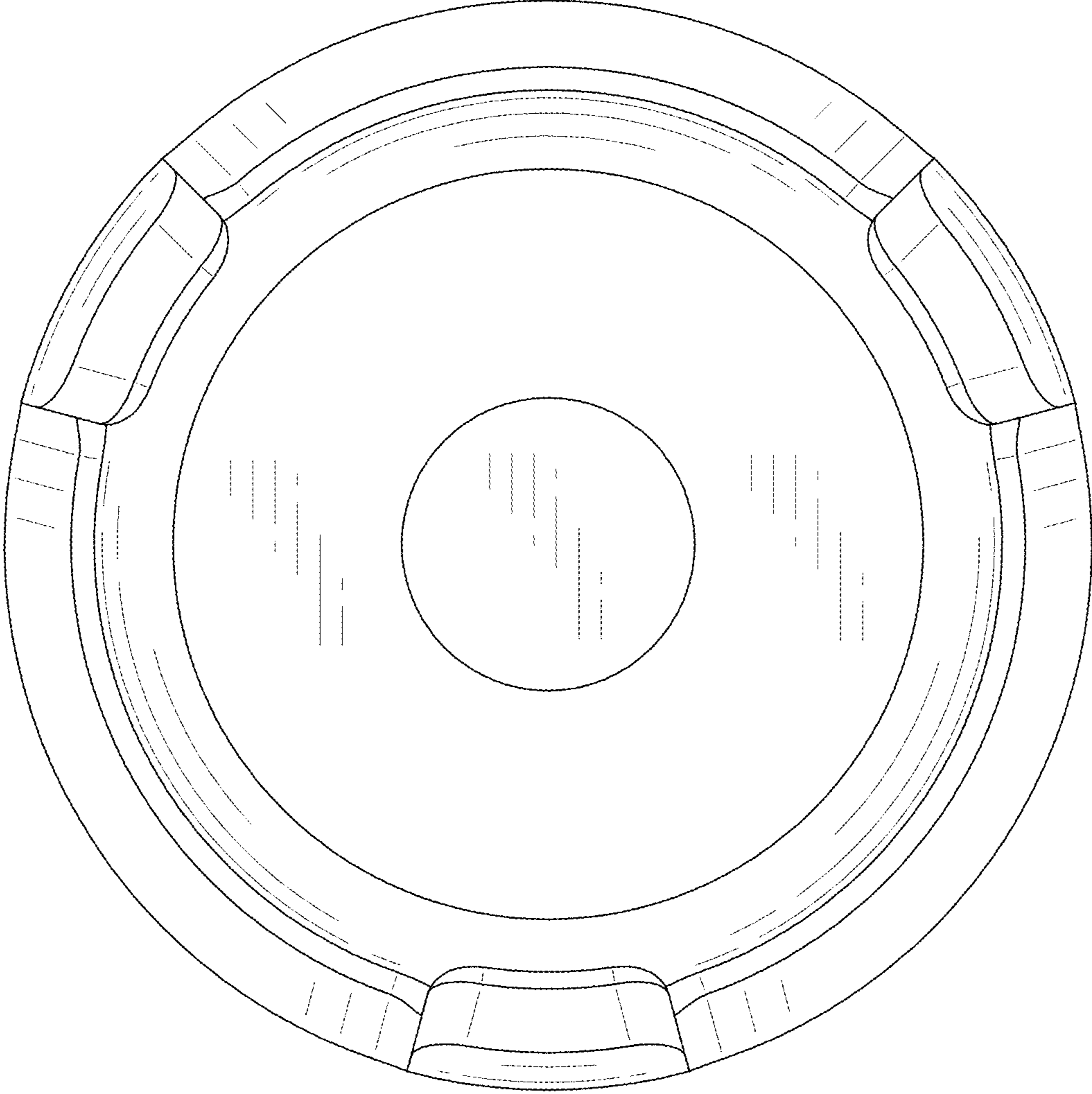


FIG. 8

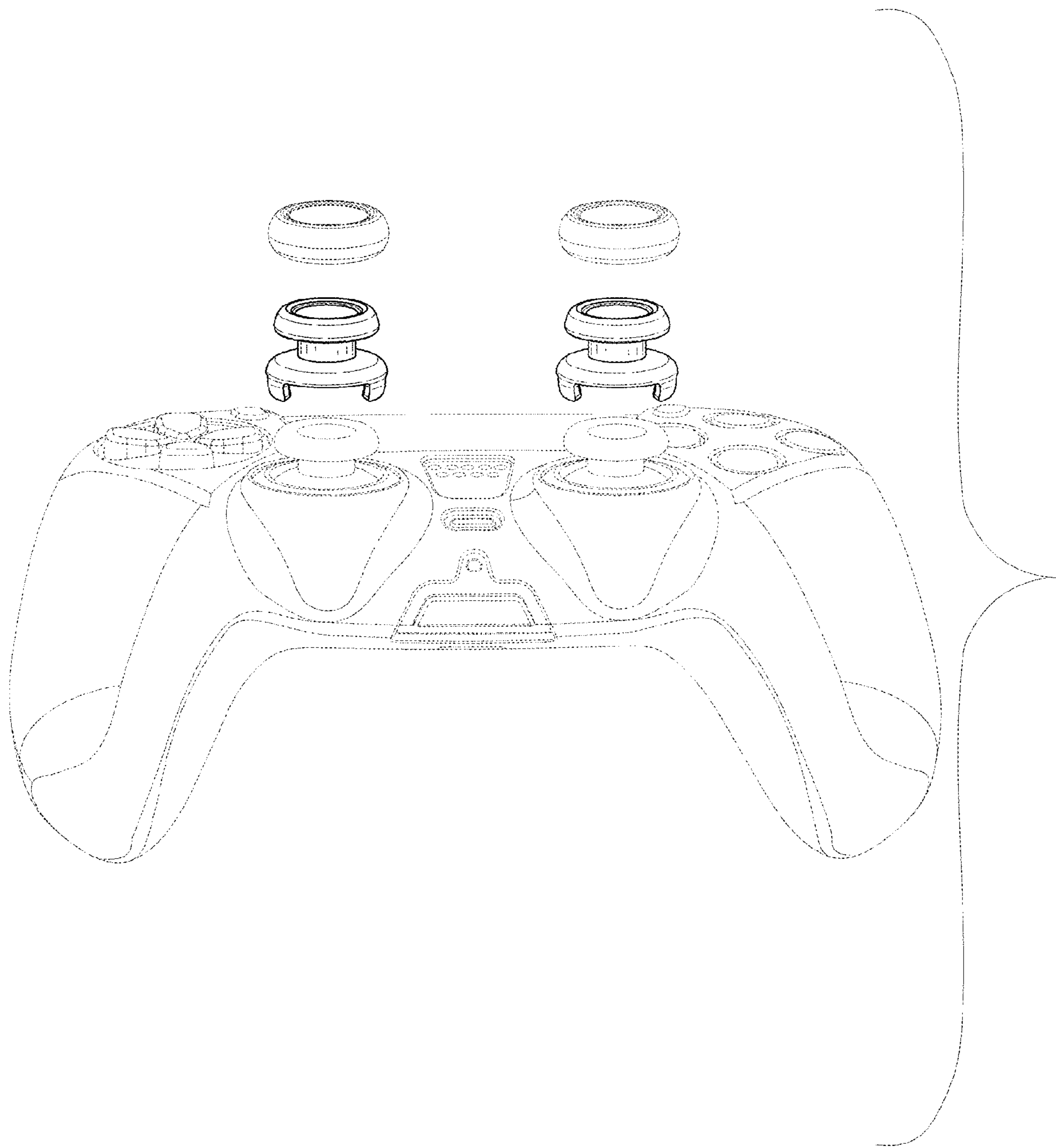


FIG. 9