



US00D970623S

(12) **United States Design Patent** (10) **Patent No.:** **US D970,623 S**  
**Li** (45) **Date of Patent:** **\*\* Nov. 22, 2022**

(54) **TOY**  
(71) Applicant: **Hongfeng Li, Yuncheng (CN)**  
(72) Inventor: **Hongfeng Li, Yuncheng (CN)**  
(\*\*) Term: **15 Years**  
(21) Appl. No.: **29/828,605**

(22) Filed: **Feb. 28, 2022**  
(51) **LOC (13) Cl.** ..... **21-01**  
(52) **U.S. Cl.**  
USPC ..... **D21/302**  
(58) **Field of Classification Search**  
USPC ..... D21/300, 302, 303, 310, 313, 366, 386,  
D21/398; D24/129; D23/259, 213, 262,  
D23/266; D30/160  
CPC . A63B 71/06; A63B 71/0608; A63B 71/0605;  
A63F 9/24  
See application file for complete search history.

(56) **References Cited**

U.S. PATENT DOCUMENTS

D370,964 S \* 6/1996 Horvath ..... D23/262  
5,628,658 A \* 5/1997 Clifford ..... B63B 34/50  
441/130  
D397,742 S 9/1998 Jensen  
D422,680 S \* 4/2000 Guo ..... D23/213  
D556,559 S 12/2007 Jones  
D597,264 S 7/2009 Hsieh  
D741,555 S 10/2015 Byrne  
9,279,225 B1 \* 3/2016 Prokupek ..... B01D 21/2427  
D755,898 S \* 5/2016 Blanchard ..... D21/302  
D783,781 S \* 4/2017 Bates-Hurtado ..... D23/259  
D872,387 S 1/2020 Crane  
D882,036 S \* 4/2020 Kremerman ..... D23/207  
D918,313 S 5/2021 Wang  
D923,157 S \* 6/2021 Lin ..... D23/266  
D937,992 S \* 12/2021 Liu ..... D23/266  
D955,481 S \* 6/2022 Wu ..... D21/302  
D957,523 S \* 7/2022 Lin ..... D21/302

2005/0026520 A1 \* 2/2005 Howerton ..... A47C 15/006  
441/132  
2005/0106963 A1 \* 5/2005 Ross ..... B63B 34/52  
441/132  
2005/0150050 A1 \* 7/2005 Wolf ..... A47C 7/383  
5/636  
2008/0086854 A1 \* 4/2008 Boyd ..... A61B 17/12109  
24/482  
2008/0087681 A1 \* 4/2008 Dudley ..... A63F 13/92  
221/199

(Continued)

FOREIGN PATENT DOCUMENTS

CN 3506903 S 2/2006  
CN 302924865 S 8/2014  
CN 302924866 S 8/2014

(Continued)

OTHER PUBLICATIONS

“Pindaloo skill game toy” posted Mar. 24, 2019[Online],[retrieved  
Sep. 21, 2022]. Retrieved from Internet: [https://www.amazon.com/ask/questions/asin/B07C6H9WRP/ref=ask\\_rp\\_reva\\_ql\\_hza.\\*](https://www.amazon.com/ask/questions/asin/B07C6H9WRP/ref=ask_rp_reva_ql_hza.*)

(Continued)

*Primary Examiner* — Mehri F Bajoul

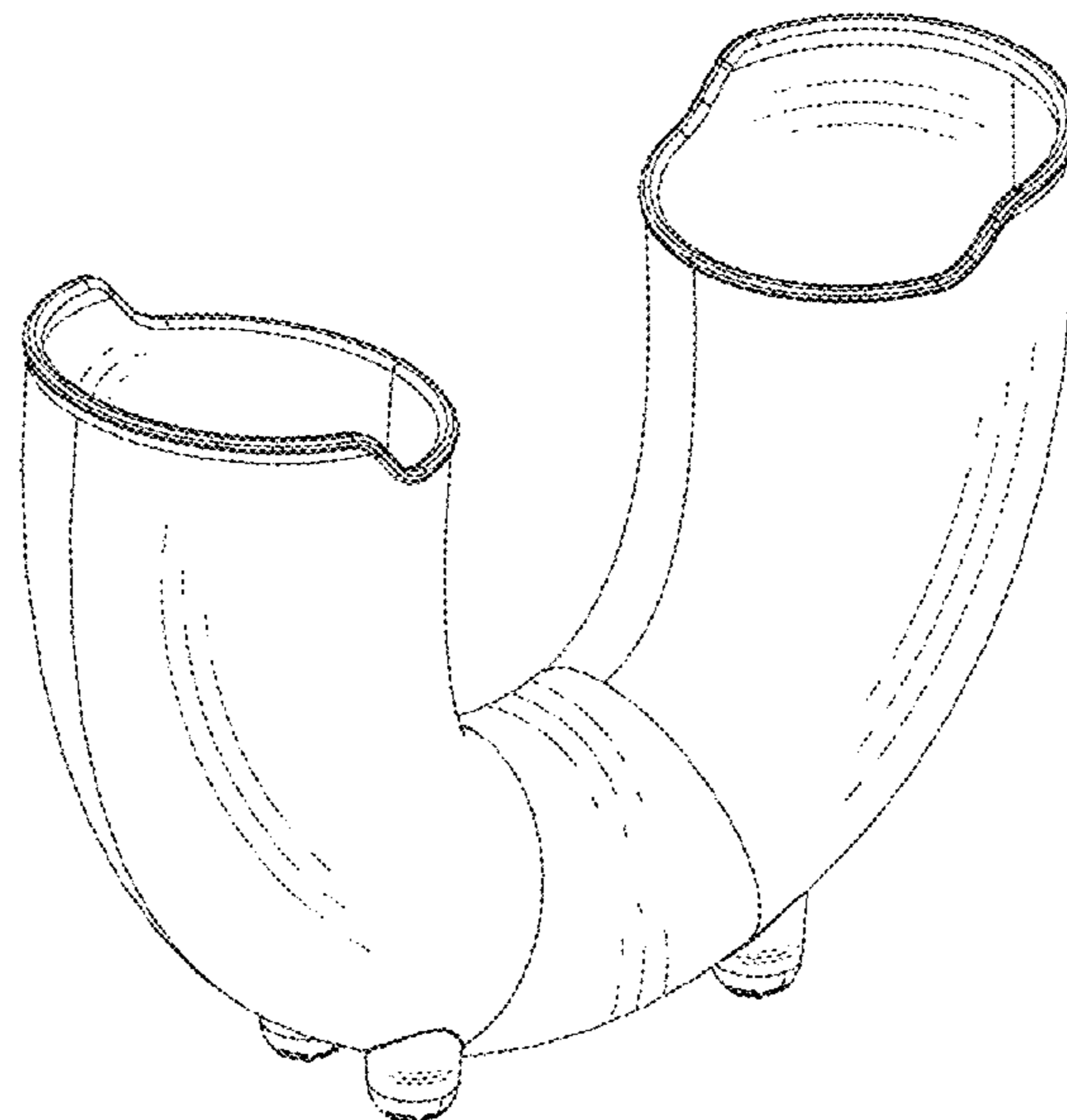
(57) **CLAIM**

The ornamental design for a toy, as shown.

**DESCRIPTION**

FIG. 1 is a top, front, left side perspective view of a toy of  
the new design;  
FIG. 2 is a front view thereof;  
FIG. 3 is a rear view thereof;  
FIG. 4 is a left side view thereof;  
FIG. 5 is a right side view thereof;  
FIG. 6 is a top view thereof; and,  
FIG. 7 is a bottom view thereof.

**1 Claim, 7 Drawing Sheets**



(56)

**References Cited**

U.S. PATENT DOCUMENTS

2018/0361276 A1\* 12/2018 See ..... B01D 29/356

FOREIGN PATENT DOCUMENTS

CN	304599910	S	4/2018
CN	305793036	S	5/2020
CN	305803092	S	5/2020
CN	305939713	S	7/2020
CN	306019985	S	8/2020
CN	306363946	S	3/2021
CN	306404125	S	3/2021
CN	306571169	S	5/2021
CN	306705494	S	7/2021

OTHER PUBLICATIONS

Boon, Pipes Building Bath Toy Set, <https://us.tomy.com/products/pipes>, date accessed: Feb. 23, 2022.  
 Decompression Fidget Sensory Toys Telescopic Tube Sensory Toys Gifts Folding Plastic Tube Coil Kids Early Educational Fidget Toy, [https://www.aliexpress.com/item/1005002065972045.html?spm=a2g0o.productlist.0.0.28287f04KppwXQ&algo\\_pvid=c6c7f5c5-bace-4326-b69f-0e3e1cf77269&algo\\_exp\\_id=c6c7f5c5-bace-4326-b69f-0e3e1cf77269-18&pdp\\_ext\\_f=%7B%22sku\\_id%22%3A%2212000018617311352%22%7D&pdp\\_pi=-1%3B2.65%3B-1%3B63%40salePrice%3BUSD%3Bsearch-mainSearch](https://www.aliexpress.com/item/1005002065972045.html?spm=a2g0o.productlist.0.0.28287f04KppwXQ&algo_pvid=c6c7f5c5-bace-4326-b69f-0e3e1cf77269&algo_exp_id=c6c7f5c5-bace-4326-b69f-0e3e1cf77269-18&pdp_ext_f=%7B%22sku_id%22%3A%2212000018617311352%22%7D&pdp_pi=-1%3B2.65%3B-1%3B63%40salePrice%3BUSD%3Bsearch-mainSearch), date accessed: Feb. 23, 2022.

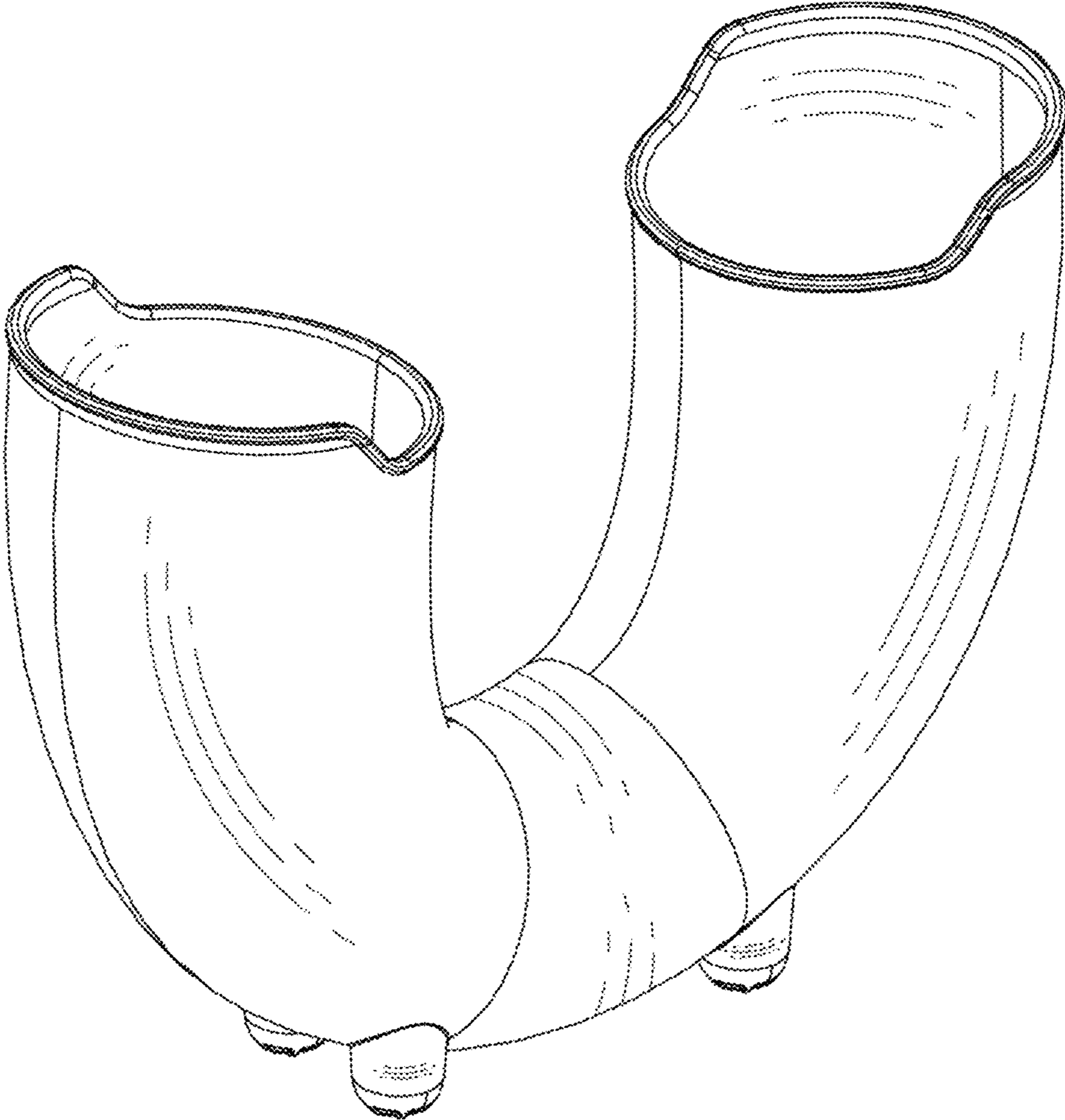
Pindaloo Skill Game Toy with 2 Balls—Gifts for Kids and Adults Indoors & Outdoor Games, Teen & Girls—Gift Ideas for Teen, Fun Stuff Party, Develops motor & Juggling Skills, [https://www.amazon.com/pindaloo-Balls-Adults-Indoor-Outdoor/dp/B07KDXWLHF/ref=sr\\_1\\_1?crd=2K0TNEUF0T269&keywords=pindaloo+skill+game&qid=1645649241&s=toys-and-games&prefix=pindaloo+skill+gam%2Ctoys-and-games%2C121&sr=1-1](https://www.amazon.com/pindaloo-Balls-Adults-Indoor-Outdoor/dp/B07KDXWLHF/ref=sr_1_1?crd=2K0TNEUF0T269&keywords=pindaloo+skill+game&qid=1645649241&s=toys-and-games&prefix=pindaloo+skill+gam%2Ctoys-and-games%2C121&sr=1-1), date accessed: Feb. 23, 2022.

Grommet, Pindaloo Juggling Loop Motor Skill Toy, <https://www.thegrommet.com/products/pindaloo-juggling-loop-motor-skill-toy>, date accessed: Feb. 23, 2022.

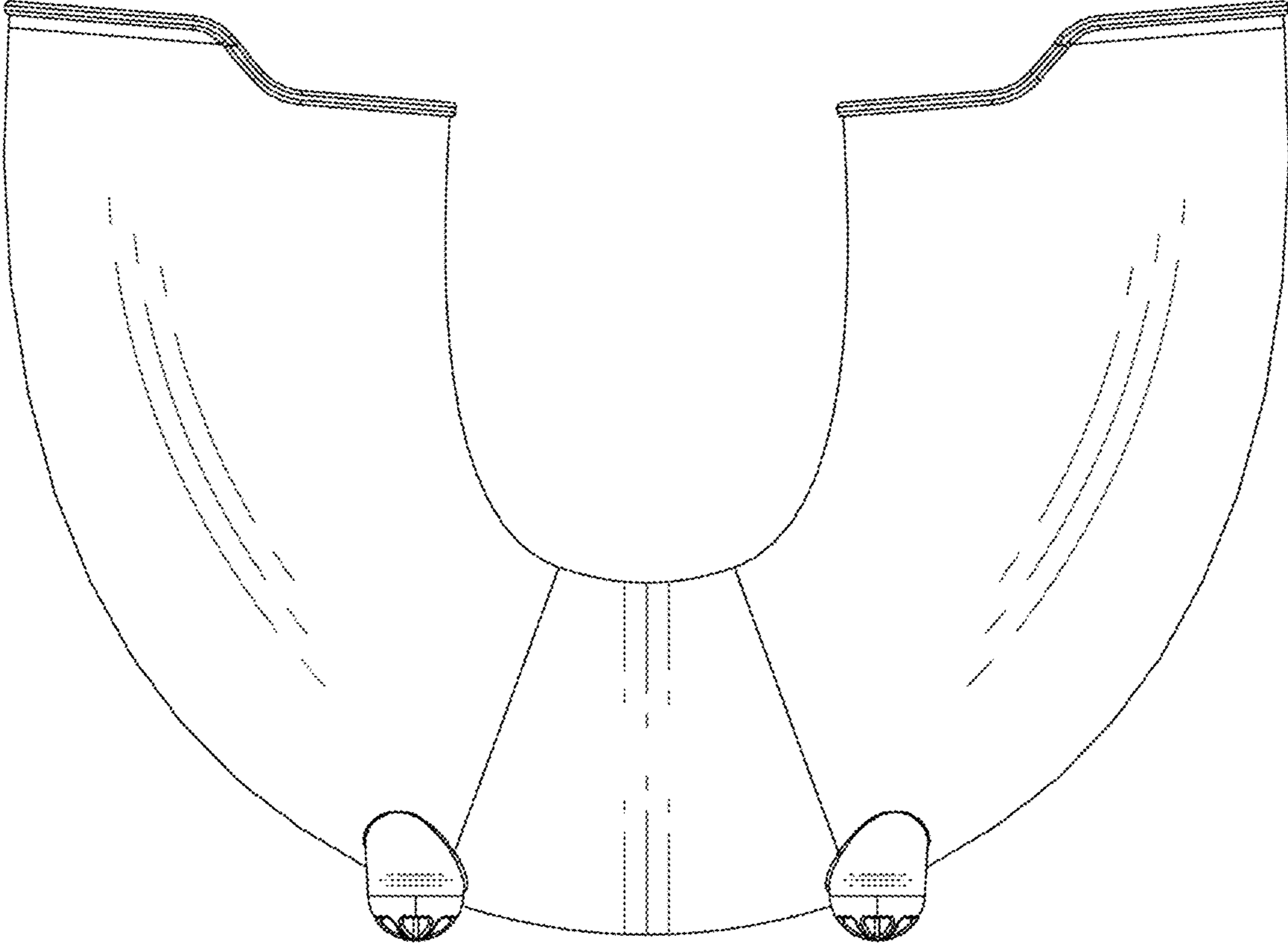
Toobaloo Auditory Feedback Phone—Accelerate Reading Fluency, Comprehension and Pronunciation with a Reading Phone, [https://www.amazon.com/Blue-Toobaloo-Auditory-Feedback-Phone/dp/B00R56CJ0Q/ref=sr\\_1\\_1?crd=2B763XVHPX2AQ&keywords=%28blue%29+toobaloo+auditory+feedback+phone&qid=1645736208&prefix=blue+toobaloo+auditory+feedback+phone%2Caps%2C103&sr=8-1](https://www.amazon.com/Blue-Toobaloo-Auditory-Feedback-Phone/dp/B00R56CJ0Q/ref=sr_1_1?crd=2B763XVHPX2AQ&keywords=%28blue%29+toobaloo+auditory+feedback+phone&qid=1645736208&prefix=blue+toobaloo+auditory+feedback+phone%2Caps%2C103&sr=8-1), date accessed: Feb. 23, 2022.

U-Shaped Pipe, The New Style Children's Adult Relieve Stress Toys Anti-Stress Artifact U-Tube Stunt Ball Toy Educational and Interesting Toy, [https://www.aliexpress.com/item/1005003230455666.html?spm=a2g0o.productlist.0.0.686a2857xU2Uak&algo\\_pvid=e640ee8c-68d0-445f-9cc9-506cdb970b92&algo\\_exp\\_id=e640ee8c-68d0-445f-9cc9-506cdb970b92-4&pdp\\_ext\\_f=%7B%22sku\\_id%22%3A%2212000024763237257%22%7D&pdp\\_pi=-1%3B16.67%3B-1%3B-1%40salePrice%3BUSD%3Bsearch-mainSearch](https://www.aliexpress.com/item/1005003230455666.html?spm=a2g0o.productlist.0.0.686a2857xU2Uak&algo_pvid=e640ee8c-68d0-445f-9cc9-506cdb970b92&algo_exp_id=e640ee8c-68d0-445f-9cc9-506cdb970b92-4&pdp_ext_f=%7B%22sku_id%22%3A%2212000024763237257%22%7D&pdp_pi=-1%3B16.67%3B-1%3B-1%40salePrice%3BUSD%3Bsearch-mainSearch), date accessed: Feb. 23, 2022.

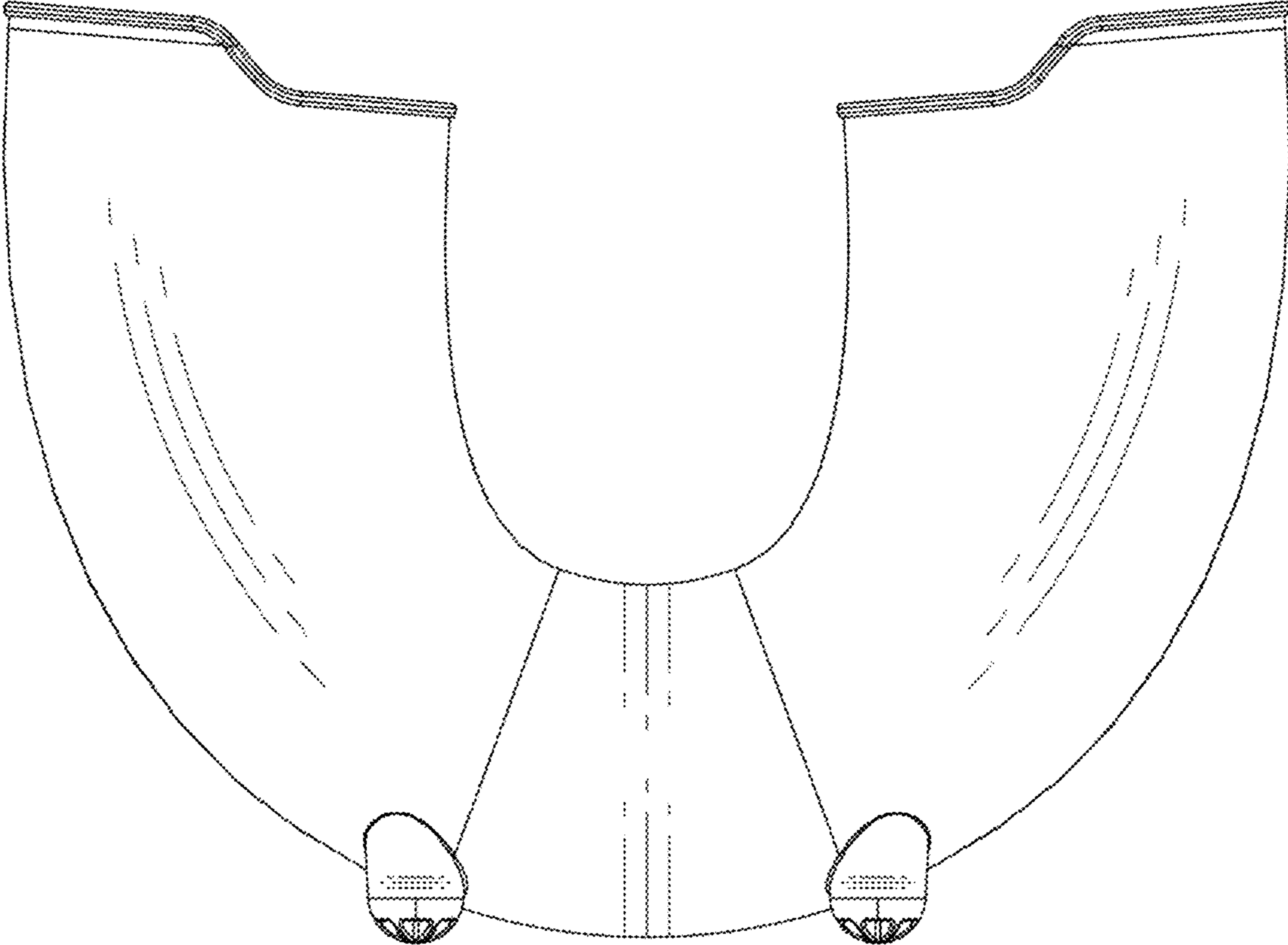
\* cited by examiner



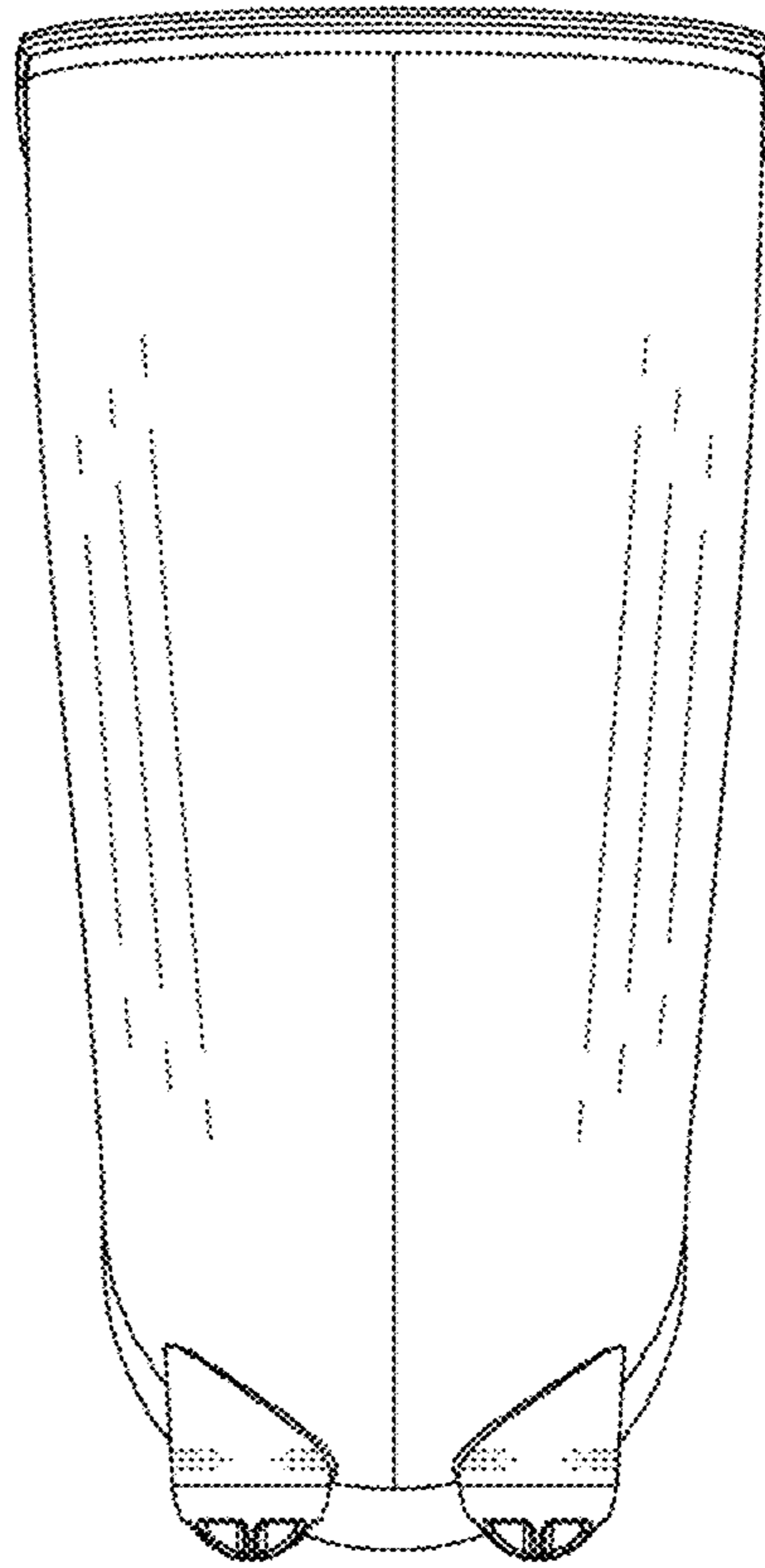
**FIG. 1**



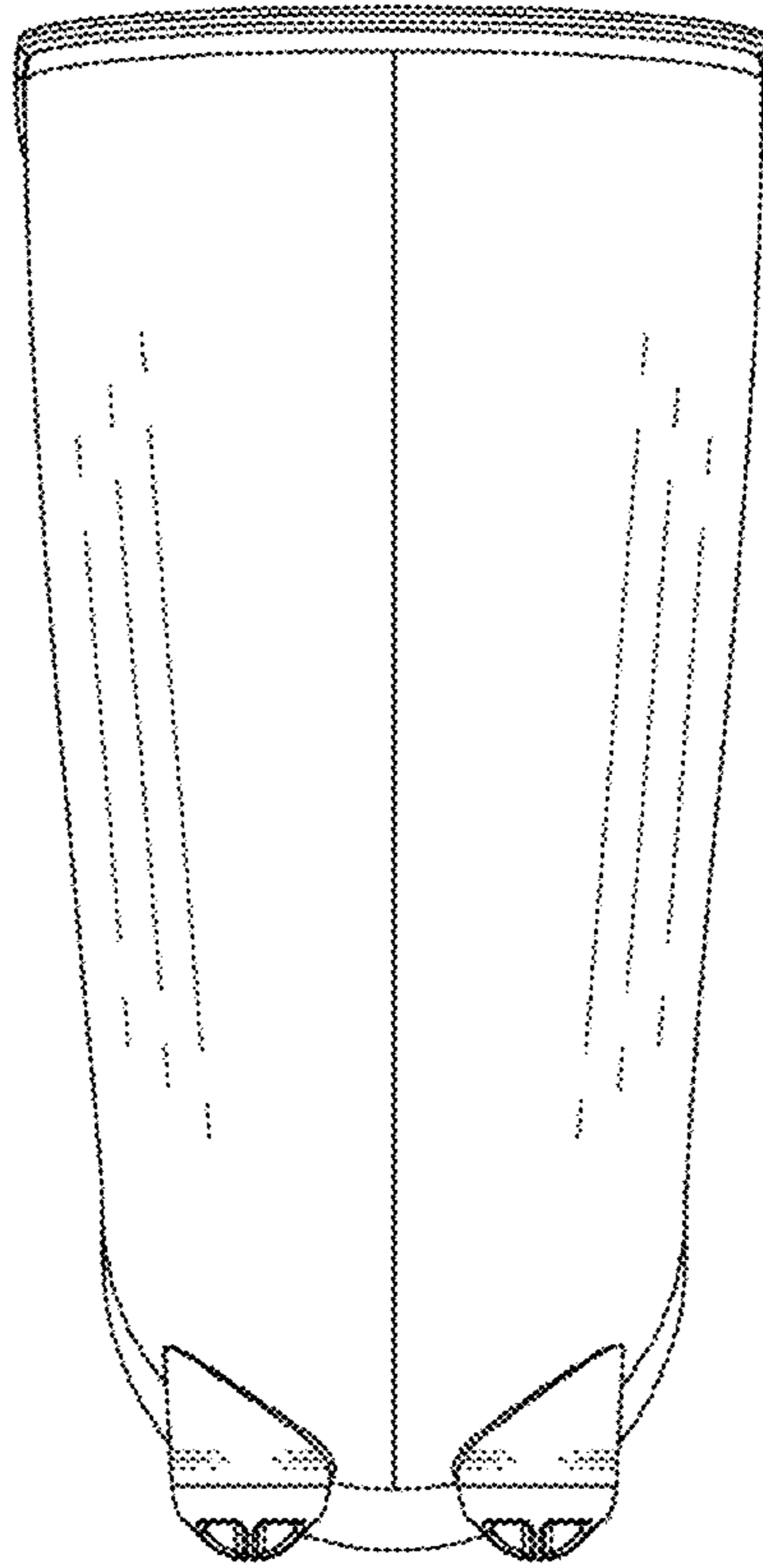
*FIG. 2*



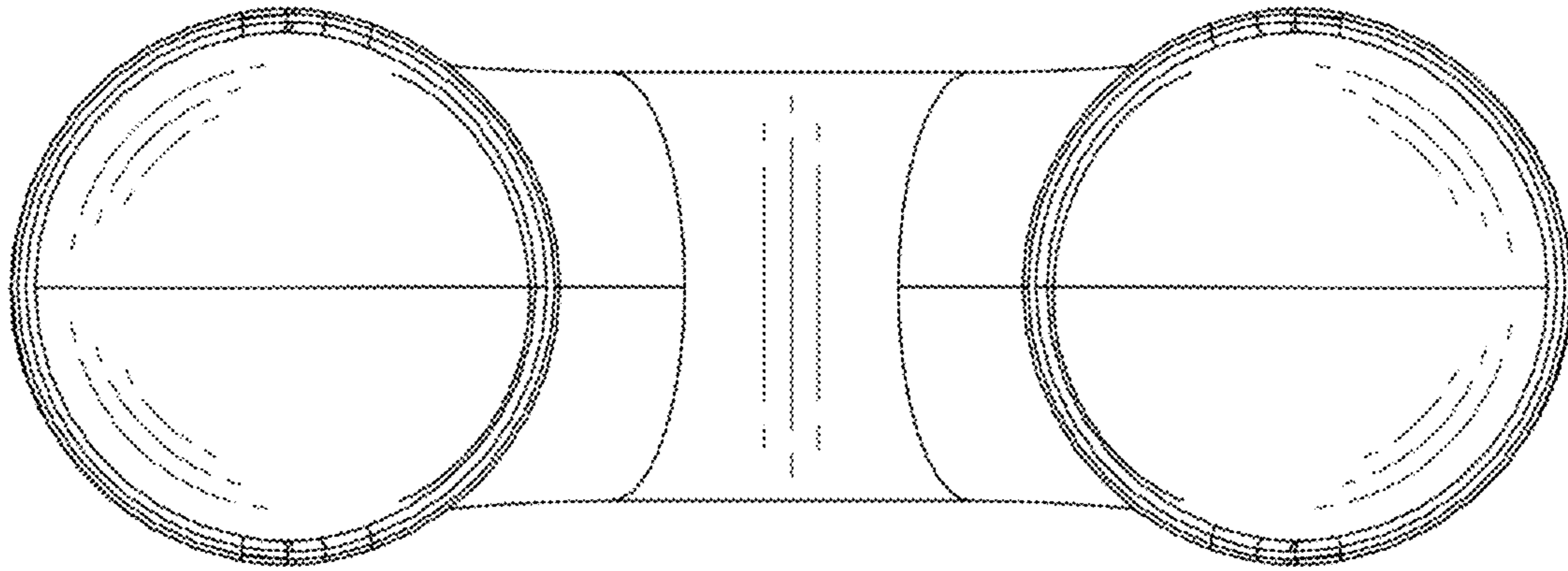
*FIG. 3*



**FIG. 4**

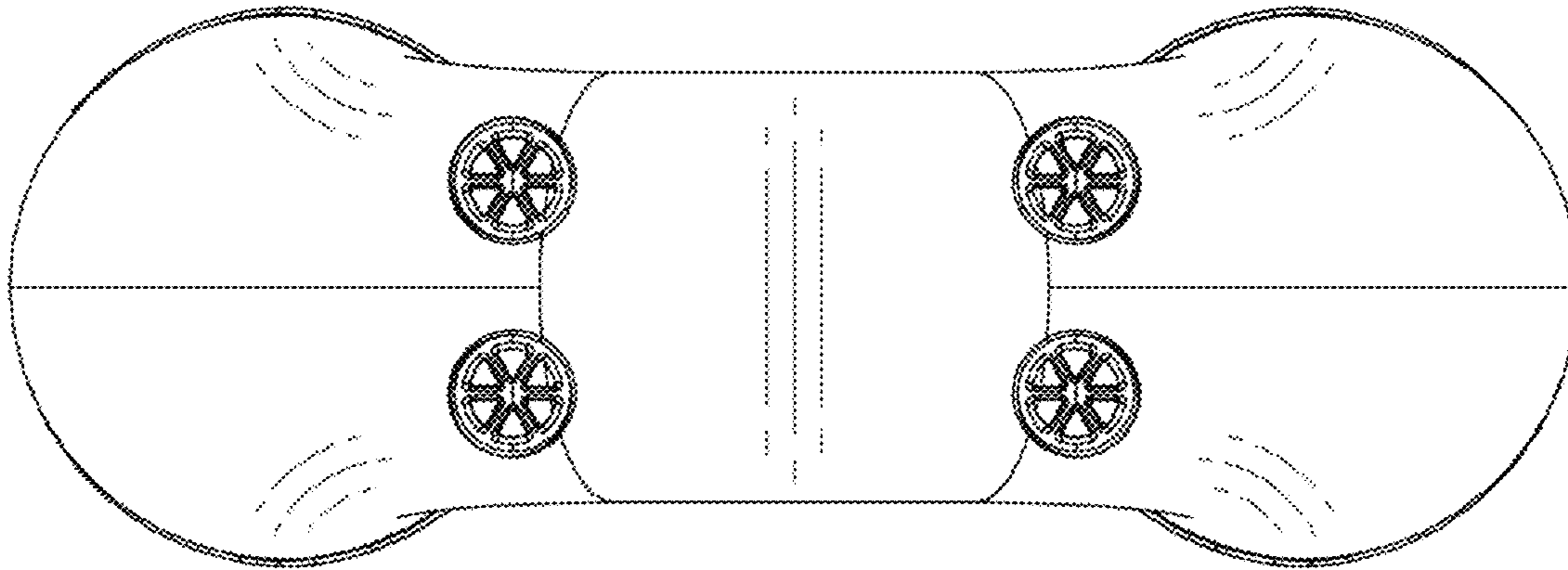


*FIG. 5*



*FIG. 6*





*FIG. 7*