



US00D970622S

(12) **United States Design Patent**
Yang

(10) **Patent No.:** **US D970,622 S**

(45) **Date of Patent:** **** Nov. 22, 2022**

(54) **SIGN FOR ROOM CLEANING**
(71) Applicant: **SHENZHEN GUOWEIQI TECHNOLOGY CO., LTD.**, Shenzhen (CN)

(72) Inventor: **Xueyu Yang**, Shenzhen (CN)

(73) Assignee: **SHENZHEN GUOWEIQI TECHNOLOGY CO., LTD.**, Shenzhen (CN)

(**) Term: **15 Years**

(21) Appl. No.: **29/836,446**

(22) Filed: **Apr. 27, 2022**

(51) **LOC (13) Cl.** **20-02**

(52) **U.S. Cl.**
USPC **D20/42**

(58) **Field of Classification Search**
USPC D14/301, 371, 388, 389; D20/1, 3, 4, 10, D20/11, 21, 22, 23, 28, 40, 42, 99
CPC G09F 2003/0255; G09F 2003/0208; G09F 2003/0201; G09F 2003/0273; G09F 2003/0276; G09F 2003/0277
See application file for complete search history.

(56) **References Cited**

U.S. PATENT DOCUMENTS

4,236,331	A *	12/1980	Mattson	A44C 3/001
					40/621
5,369,899	A *	12/1994	Reeves	G09F 7/12
					40/621
D355,679	S *	2/1995	Costa	D20/42
D369,624	S *	5/1996	Richardson	D20/42
D391,995	S *	3/1998	Hackmeister	D20/40
6,446,372	B1 *	9/2002	Reeves	A44C 3/001
					40/661.01

D690,365	S	9/2013	Gorelick et al.	
D712,968	S	9/2014	Gorelick et al.	
D723,420	S *	3/2015	Carpenter D11/213
9,990,867	B1 *	6/2018	Shiao A45C 13/42
2022/0005390	A1 *	1/2022	Omran G09F 7/20
2022/0093011	A1 *	3/2022	Huntington G09F 3/20

OTHER PUBLICATIONS

Wojogo, posted at amazon.com, posted on Aug. 16, 2021, site visited Aug. 17, 2022. online, available from internet: <https://www.amazon.com/dp/B09CPYLZ8M/> (Year: 2021).*

* cited by examiner

Primary Examiner — Catherine Ho

(74) *Attorney, Agent, or Firm* — Daniel M. Cohn; Howard M. Cohn

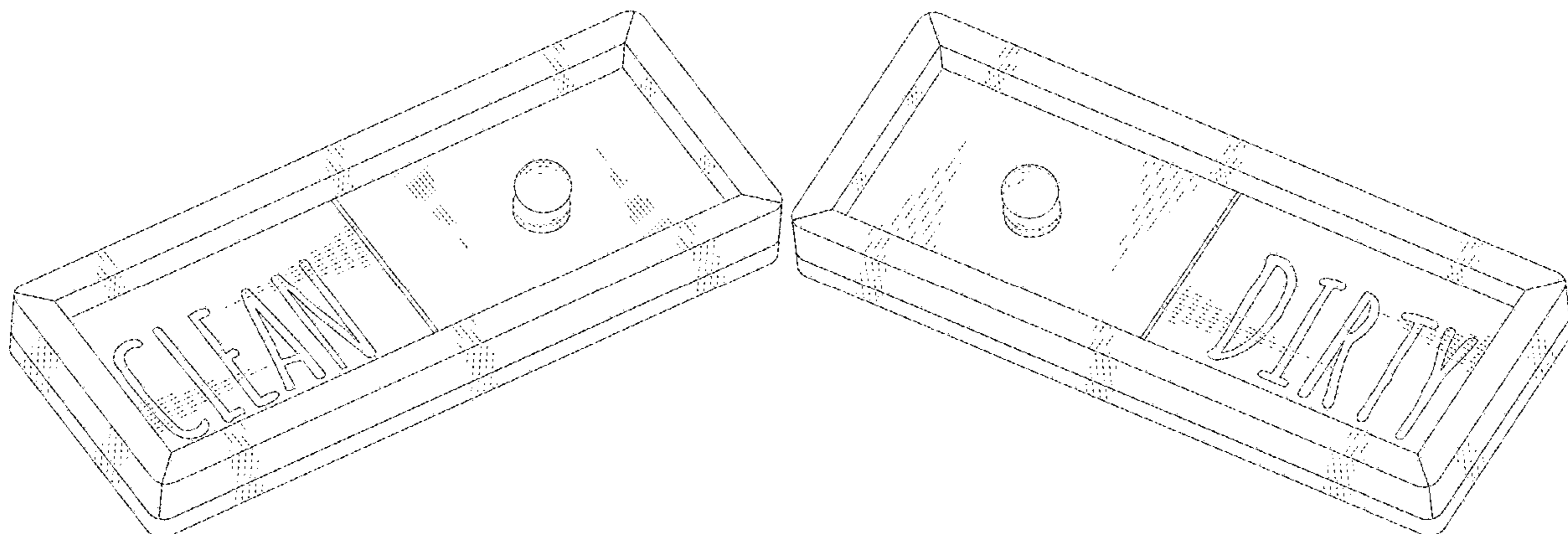
(57) **CLAIM**

The ornamental design for a sign for room cleaning, as shown and described.

DESCRIPTION

FIG. 1 is a front perspective view of a sign for room cleaning showing my new design;
FIG. 2 is a rear perspective view thereof;
FIG. 3 is a front elevational view thereof;
FIG. 4 is a rear elevational view thereof;
FIG. 5 is a left side elevational view thereof;
FIG. 6 is a right side elevational view thereof;
FIG. 7 is a top plan view thereof;
FIG. 8 is a bottom plan view thereof;
FIG. 9 is a front elevational view of a sign for room cleaning shown in an alternate configuration; and,
FIG. 10 is a front perspective view thereof.

1 Claim, 10 Drawing Sheets



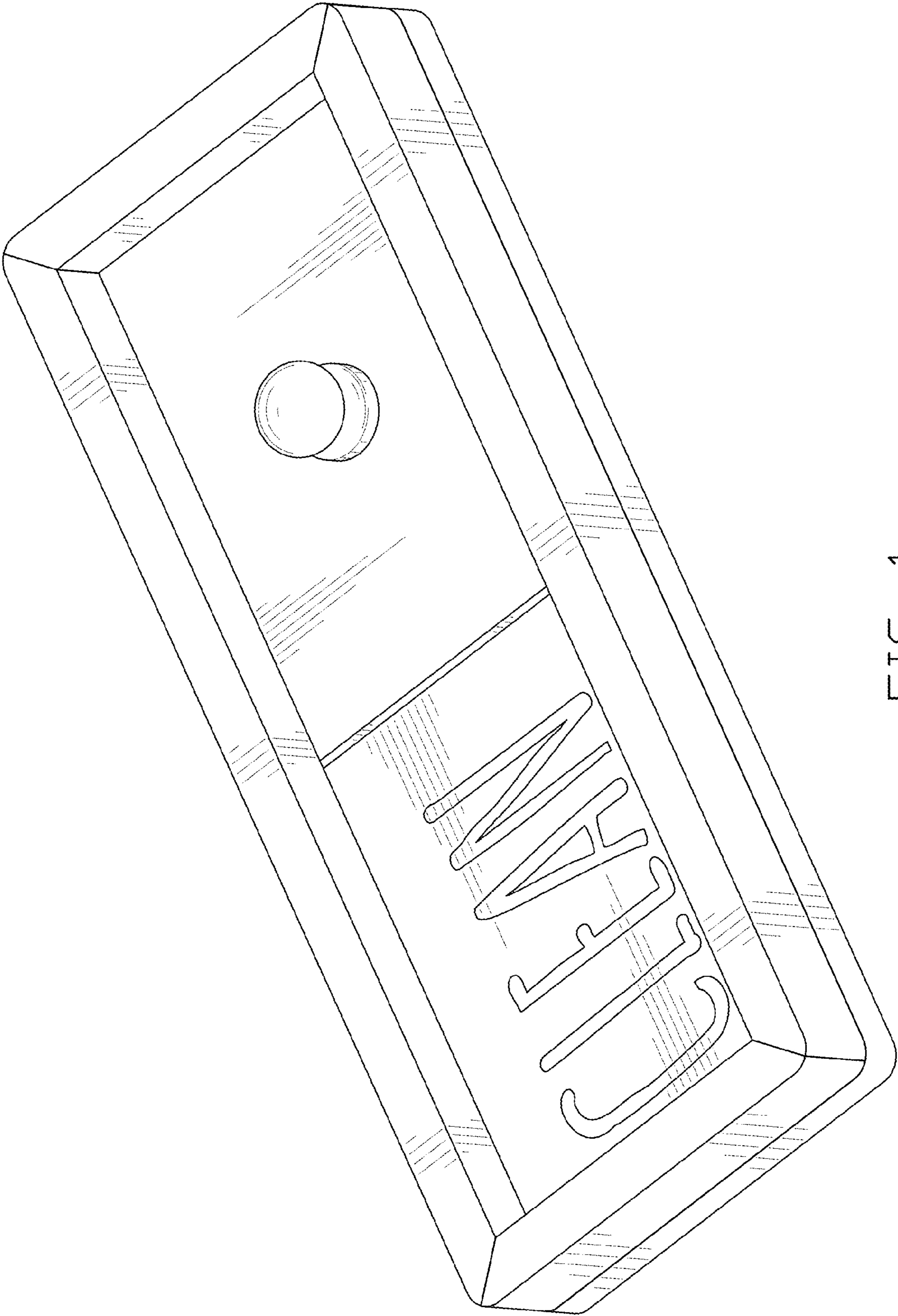


FIG. 1

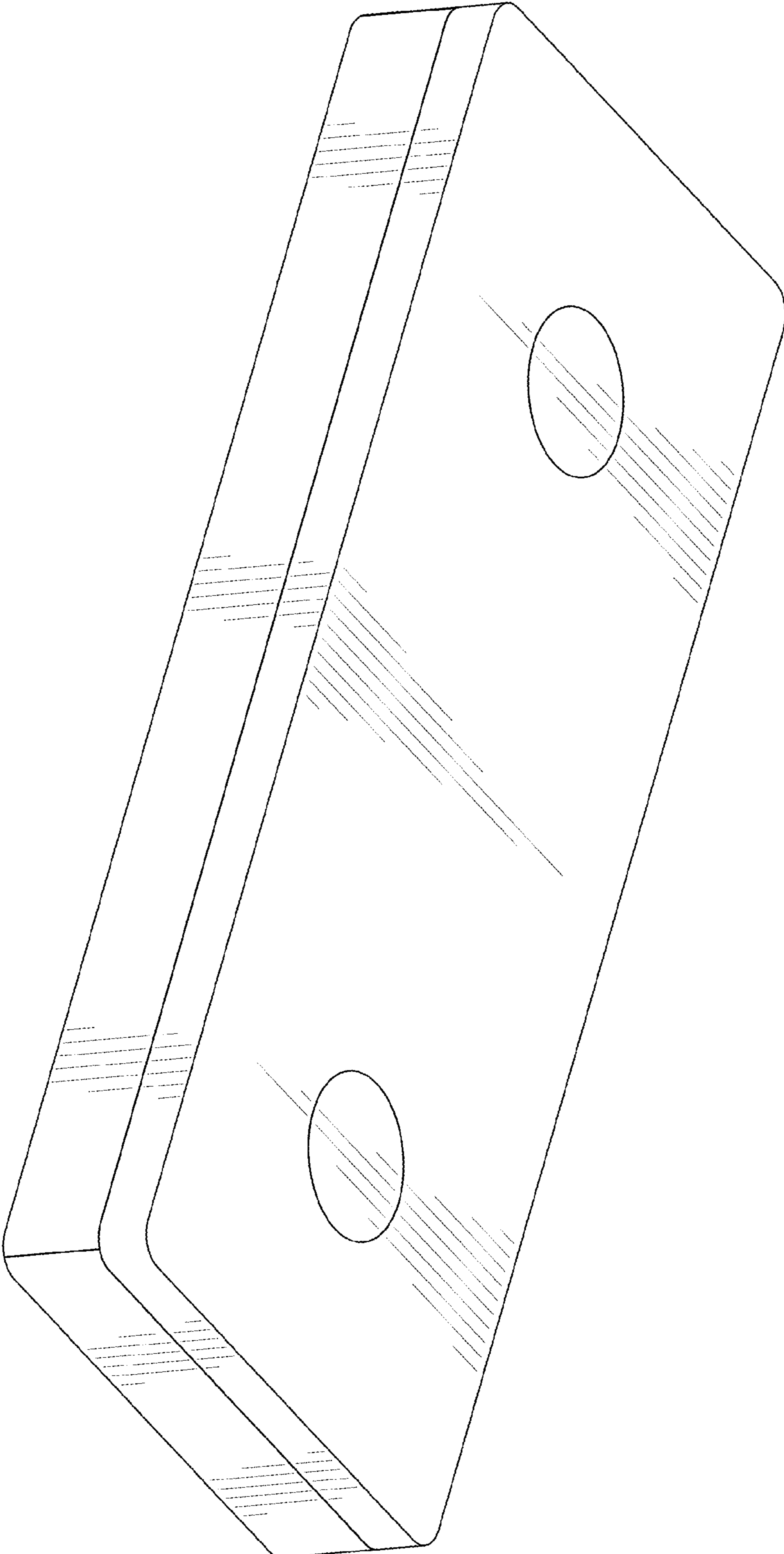


FIG. 2

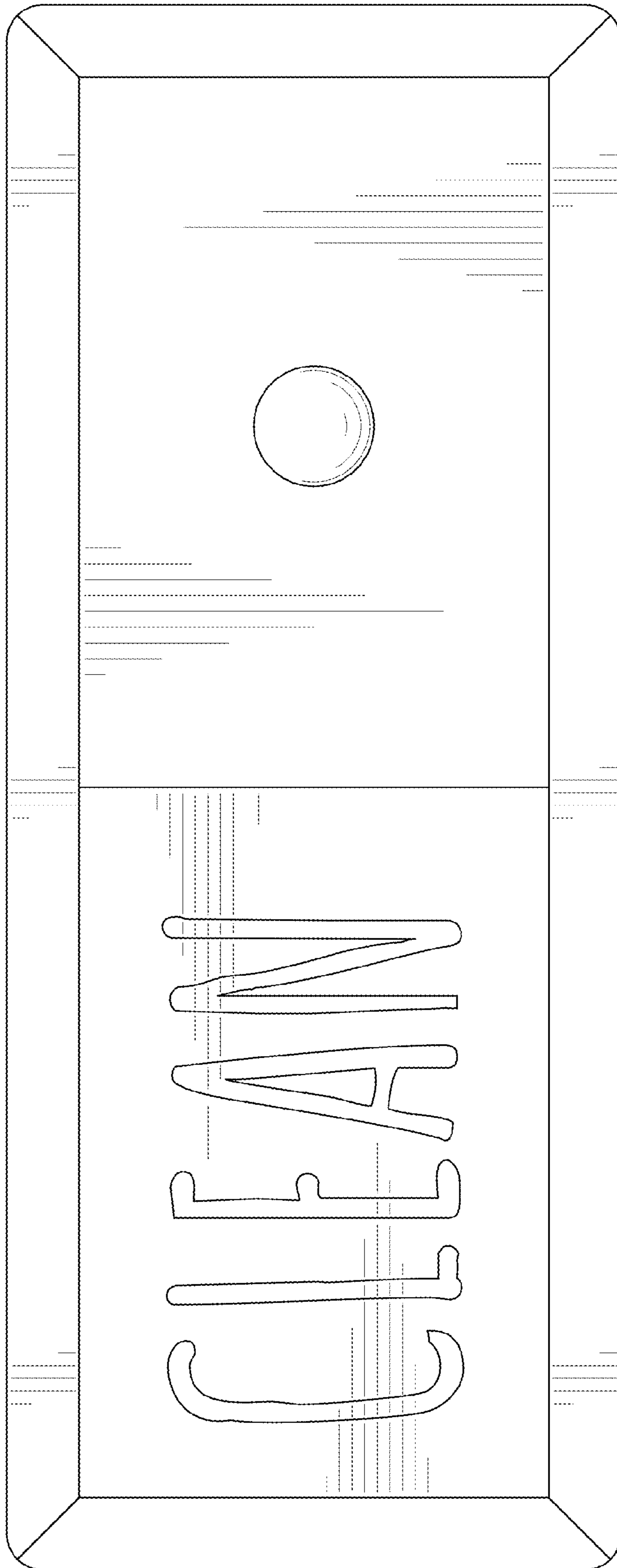


FIG. 3

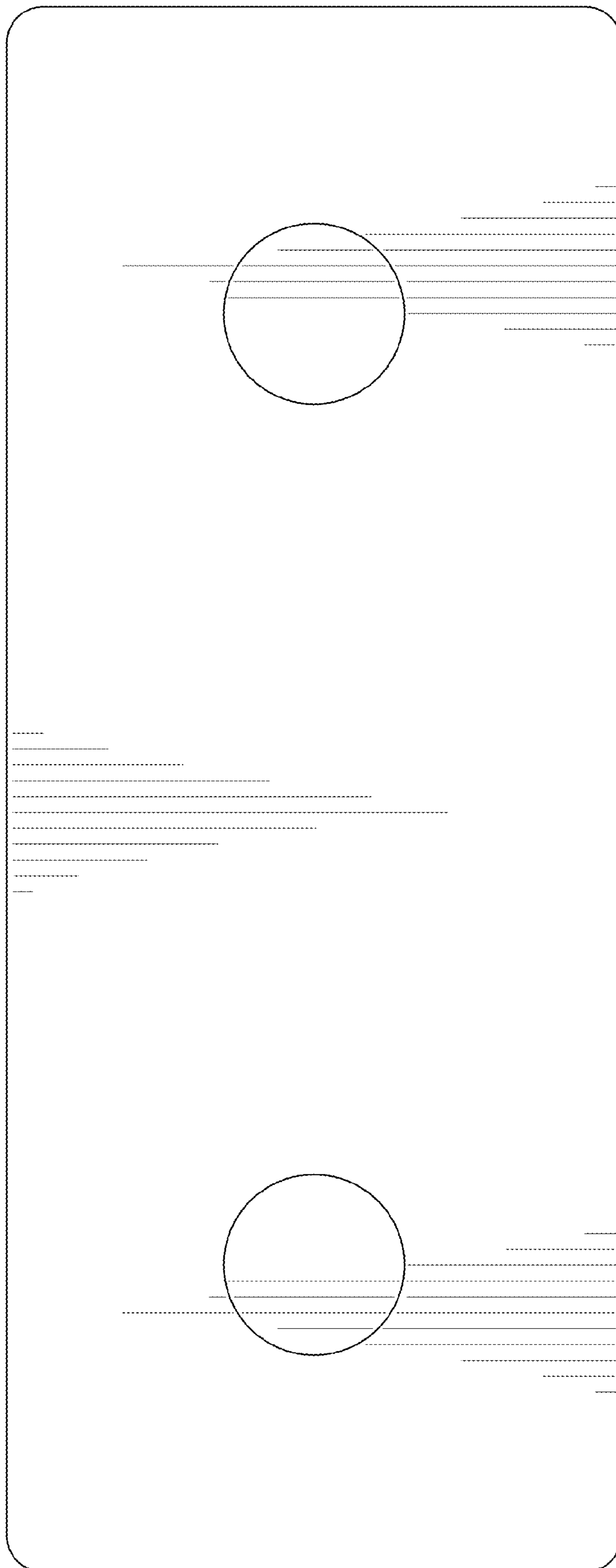


FIG. 4

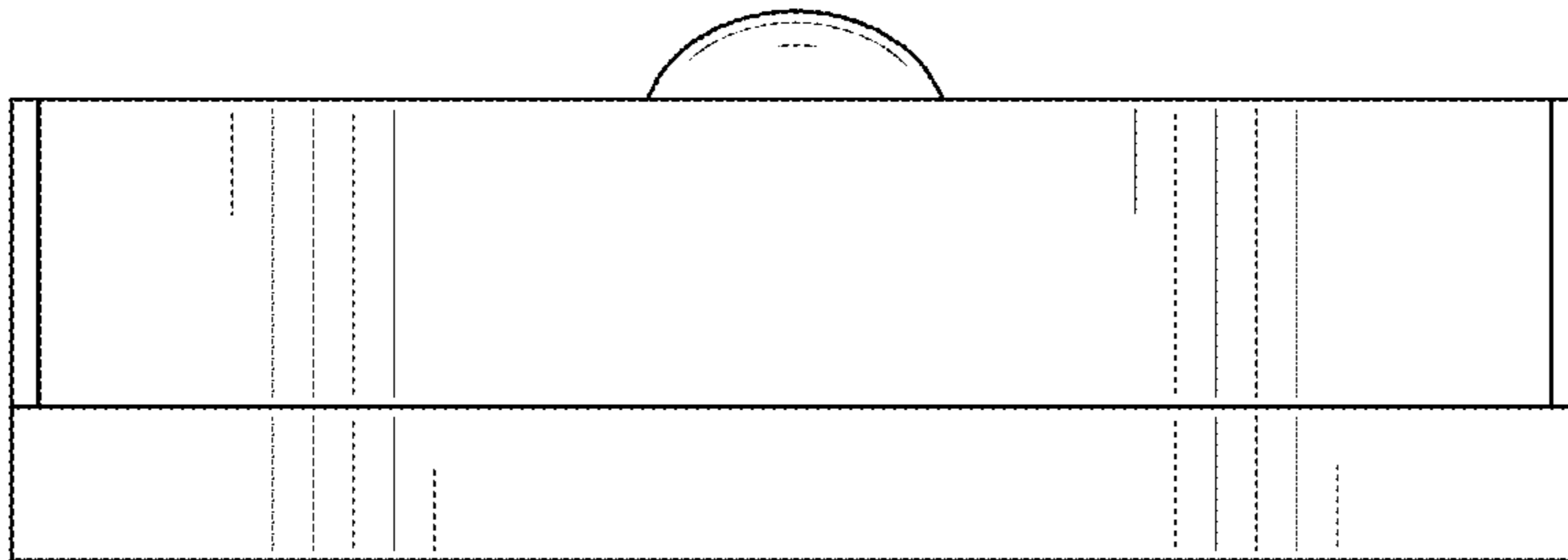


FIG. 5

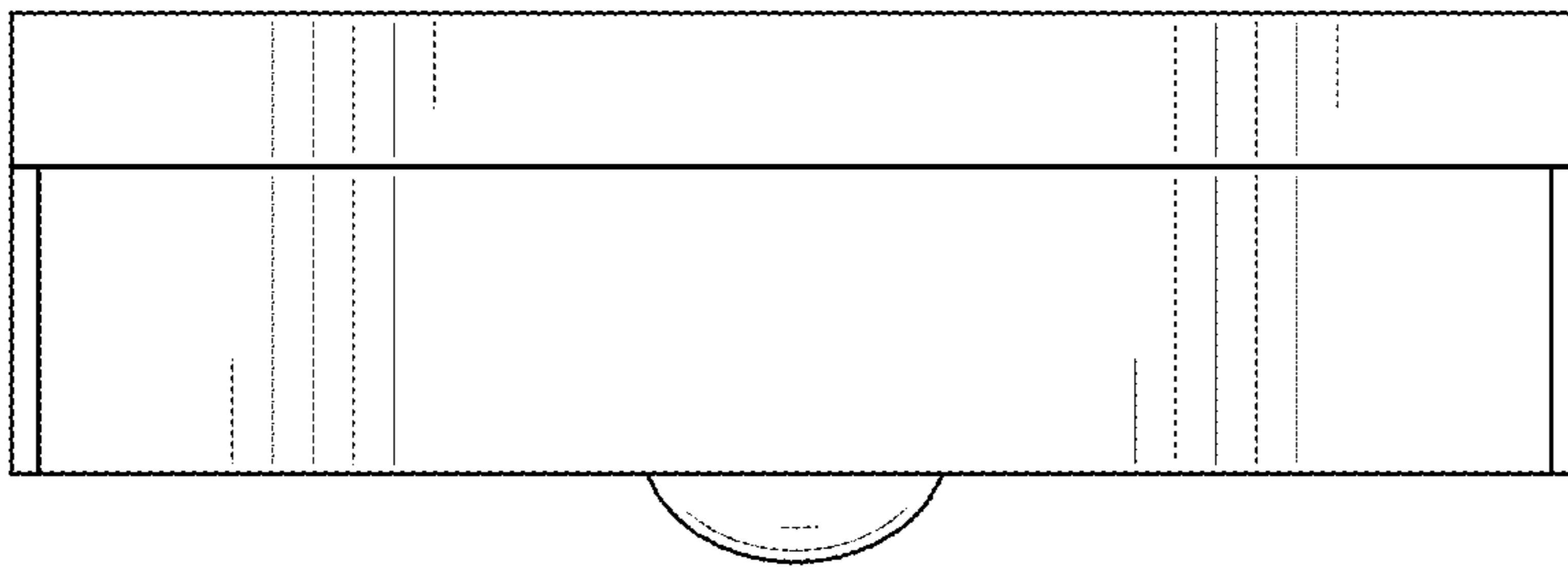


FIG. 6

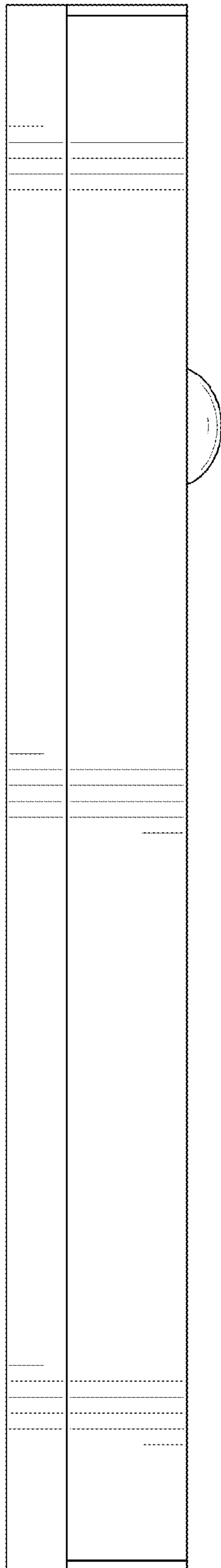


FIG. 7

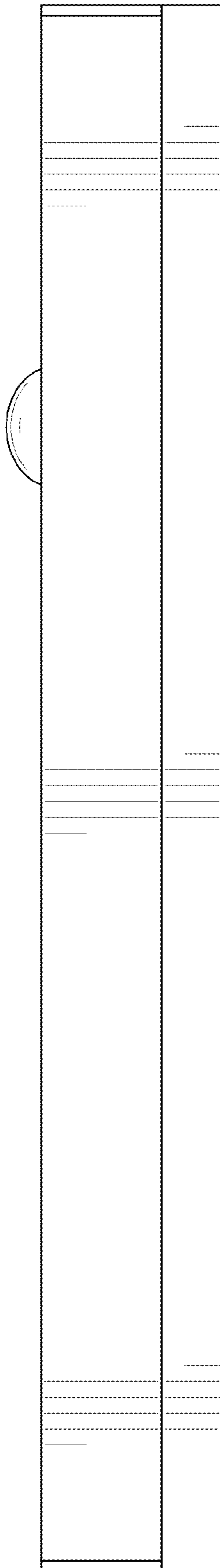


FIG. 8

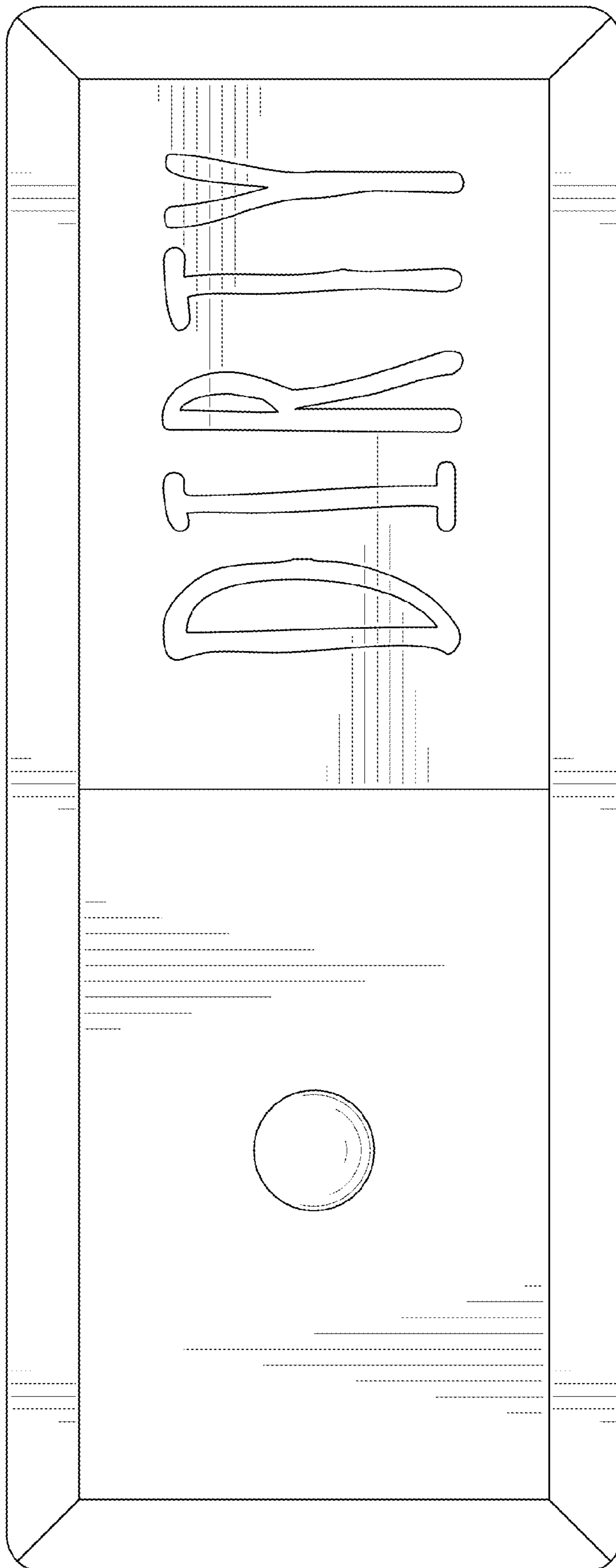


FIG. 9

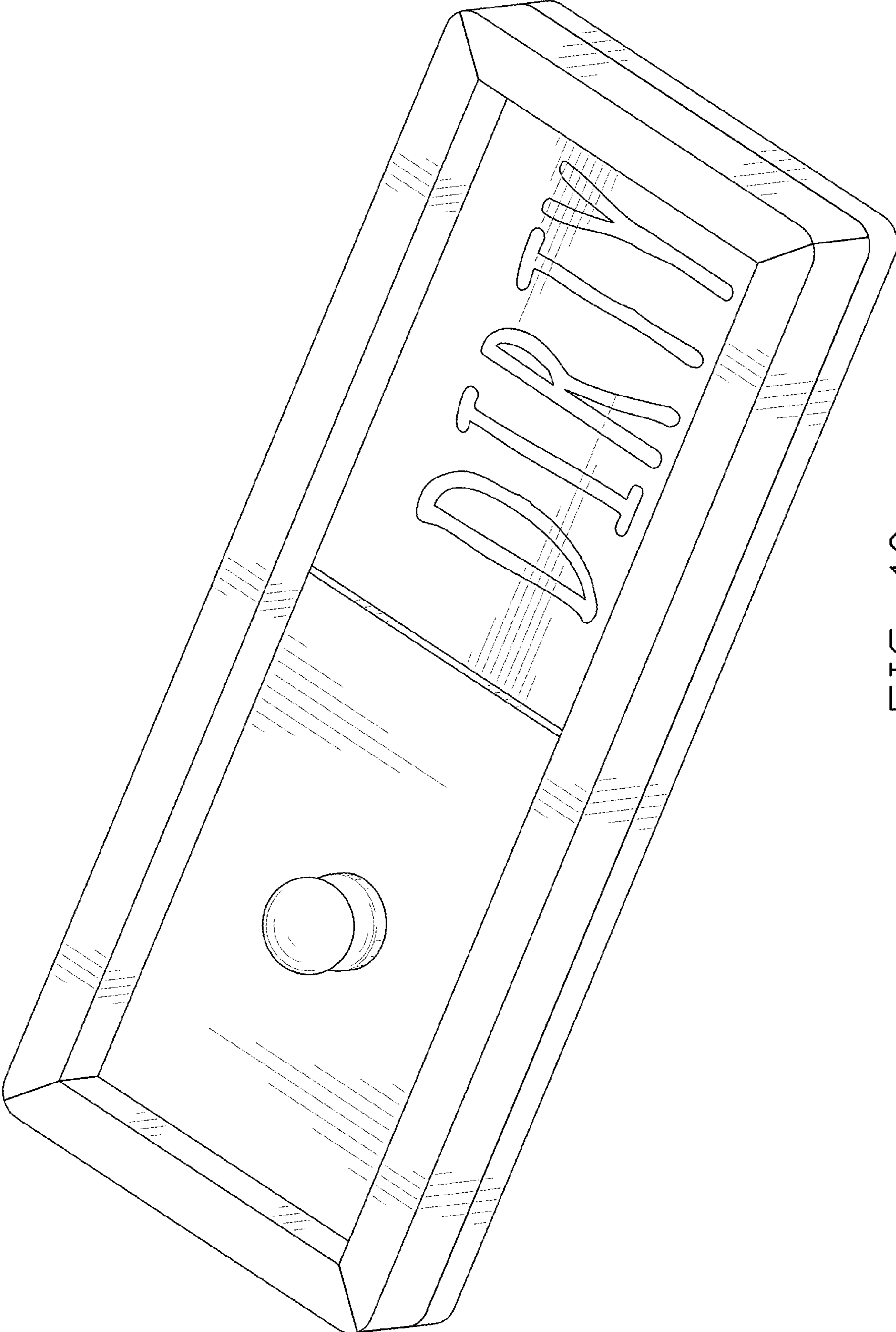


FIG. 10