



US00D970620S

(12) **United States Design Patent**
Morimoto et al.

(10) **Patent No.:** **US D970,620 S**
(45) **Date of Patent:** **** Nov. 22, 2022**

(54) **COLOR SAMPLE PLATE**

(71) Applicant: **mitsubishi ENGINEERING-PLASTICS CORPORATION, Tokyo (JP)**

(72) Inventors: **Seiji Morimoto, Tokyo (JP); Kaori Yamazaki, Tokyo (JP)**

(73) Assignee: **mitsubishi ENGINEERING-PLASTICS CORPORATION, Tokyo (JP)**

(**) Term: **15 Years**

(21) Appl. No.: **29/772,997**

(22) Filed: **Mar. 5, 2021**

(30) **Foreign Application Priority Data**

Sep. 18, 2020 (JP) 2020-020002 D

(51) **LOC (13) Cl.** **20-02**

(52) **U.S. Cl.**
USPC **D20/10; D20/19; D20/40**

(58) **Field of Classification Search**
USPC D20/10, 12, 13, 16, 17, 18, 19, 20, 35, D20/40, 41, 42, 43, 99; D14/125, 126, D14/127, 129, 451; D6/682.2, 682.4, D6/682.6; D19/112
CPC G01J 3/463; G01J 2003/466; G01J 3/522; G01J 3/528; G09F 5/02; G09F 5/04; G09F 7/02; B44D 3/02; B44D 3/00
See application file for complete search history.

(56) **References Cited**

U.S. PATENT DOCUMENTS

1,709,975 A * 4/1929 Foshay G01J 3/522
434/98

2,112,457 A * 3/1938 Fletcher G01J 3/522
40/495

2,629,185 A * 2/1953 Mulrane G01J 3/522
434/104

3,280,488 A * 10/1966 Rubin G09F 3/00
2/249

D208,328 S * 8/1967 Welch D20/18

D363,314 S * 10/1995 Leland D19/112

D473,596 S * 4/2003 Wittmeyer, Jr. D20/40

D778,359 S * 2/2017 Piffaretti D20/10

D796,580 S * 9/2017 Higgins D19/112

D879,057 S * 3/2020 Schmelling D14/125

2005/0135671 A1* 6/2005 Levin G01J 3/528
382/162

2008/0044082 A1* 2/2008 Muller G01J 3/50
382/162

2008/0079256 A1* 4/2008 Cantarella G09F 5/04
283/56

2015/0010888 A1* 1/2015 Kinch G01J 3/526
434/104

2016/0078775 A1* 3/2016 Duha B44D 3/003
427/210

2017/0061260 A1* 3/2017 Corley H04N 1/4078

* cited by examiner

Primary Examiner — Catherine Ho

(74) Attorney, Agent, or Firm — Manabu Kanesaka

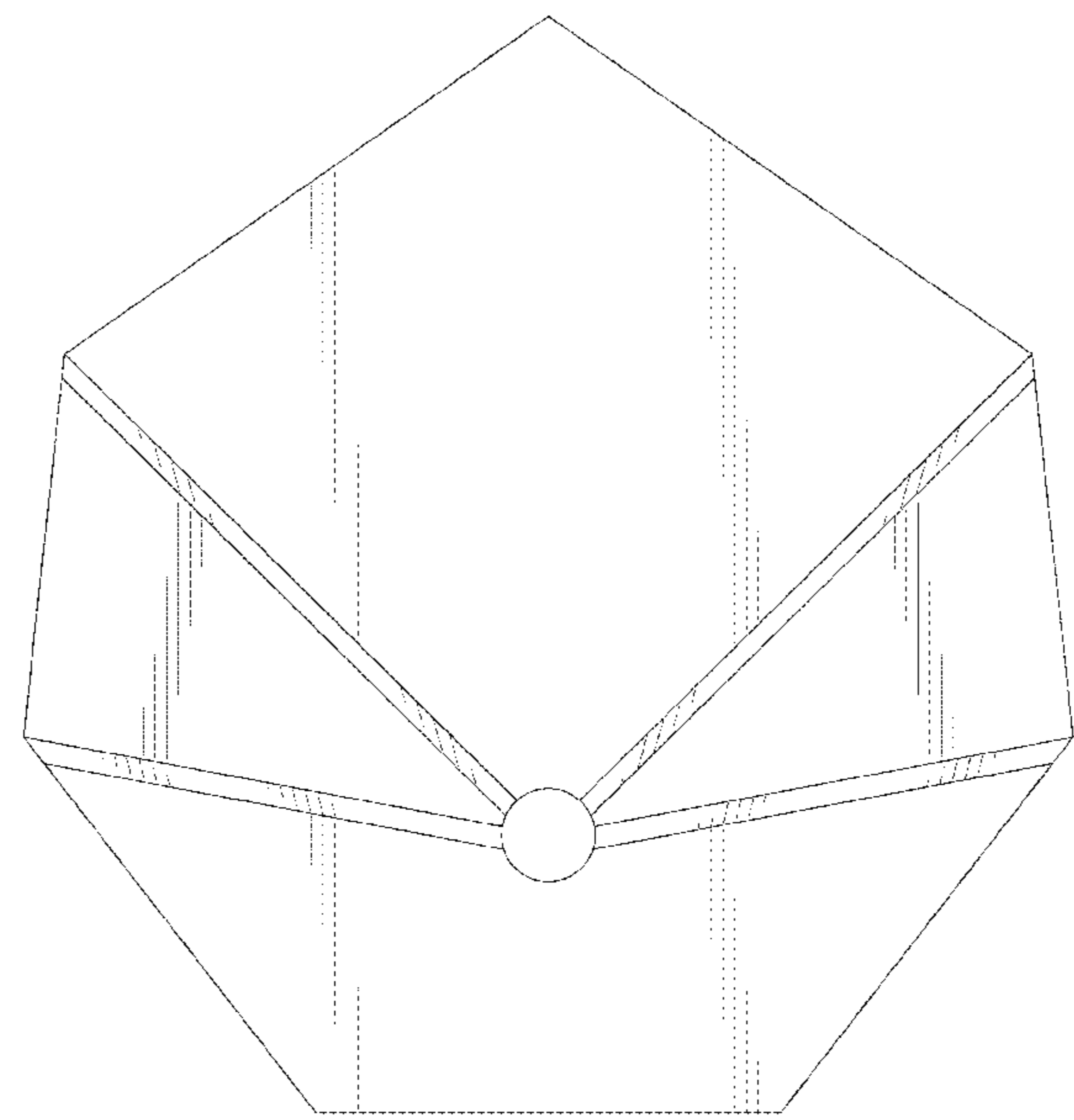
(57) **CLAIM**

The ornamental design for a color sample plate, as shown and described.

DESCRIPTION

FIG. 1 is a front view of a color sample plate showing our new design;
FIG. 2 is a rear view thereof;
FIG. 3 is a right side view thereof;
FIG. 4 is a left side view thereof;
FIG. 5 is a top plan view thereof;
FIG. 6 is a bottom plan view thereof; and,
FIG. 7 is a front perspective view thereof.

1 Claim, 5 Drawing Sheets



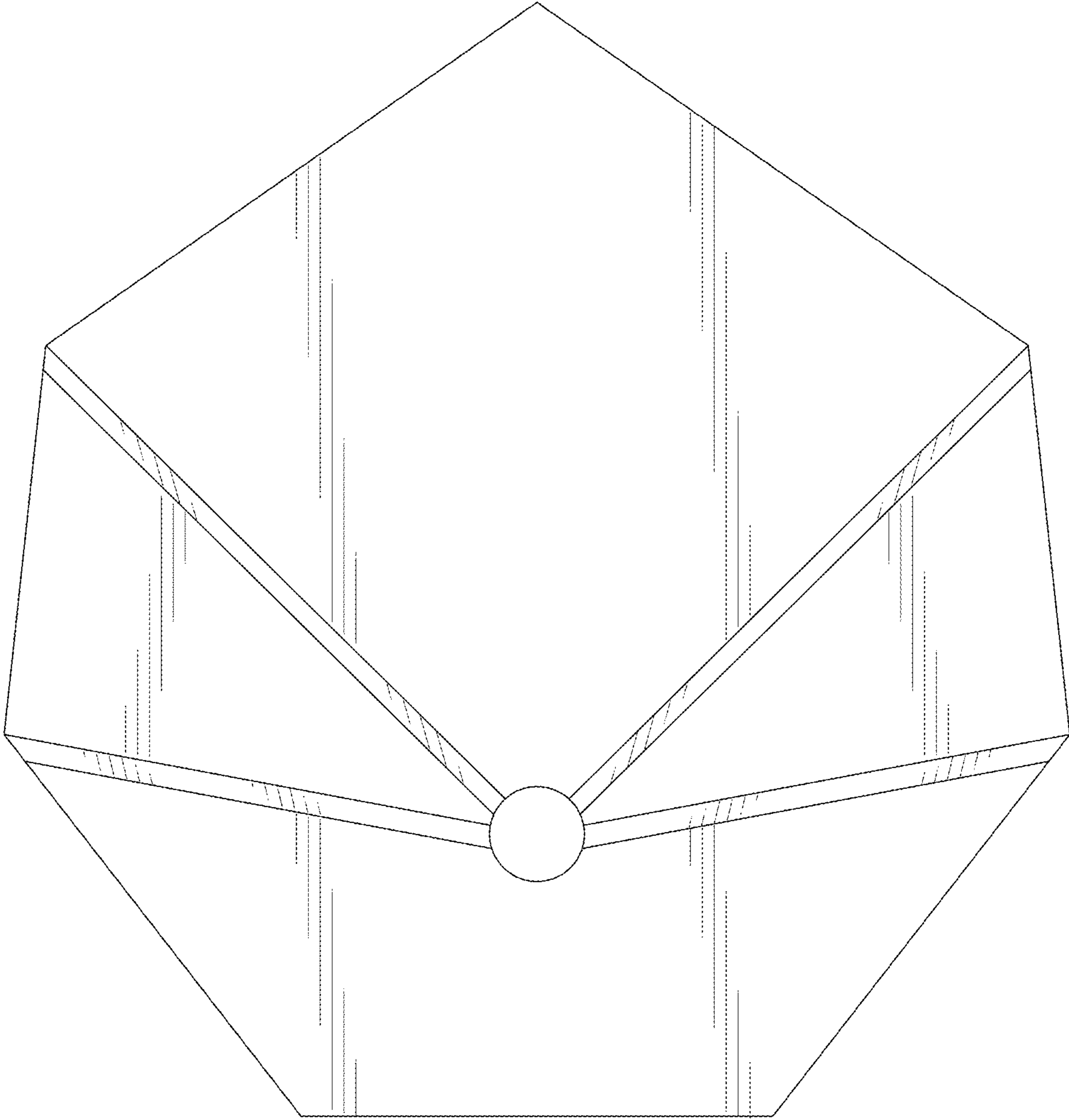


FIG. 1

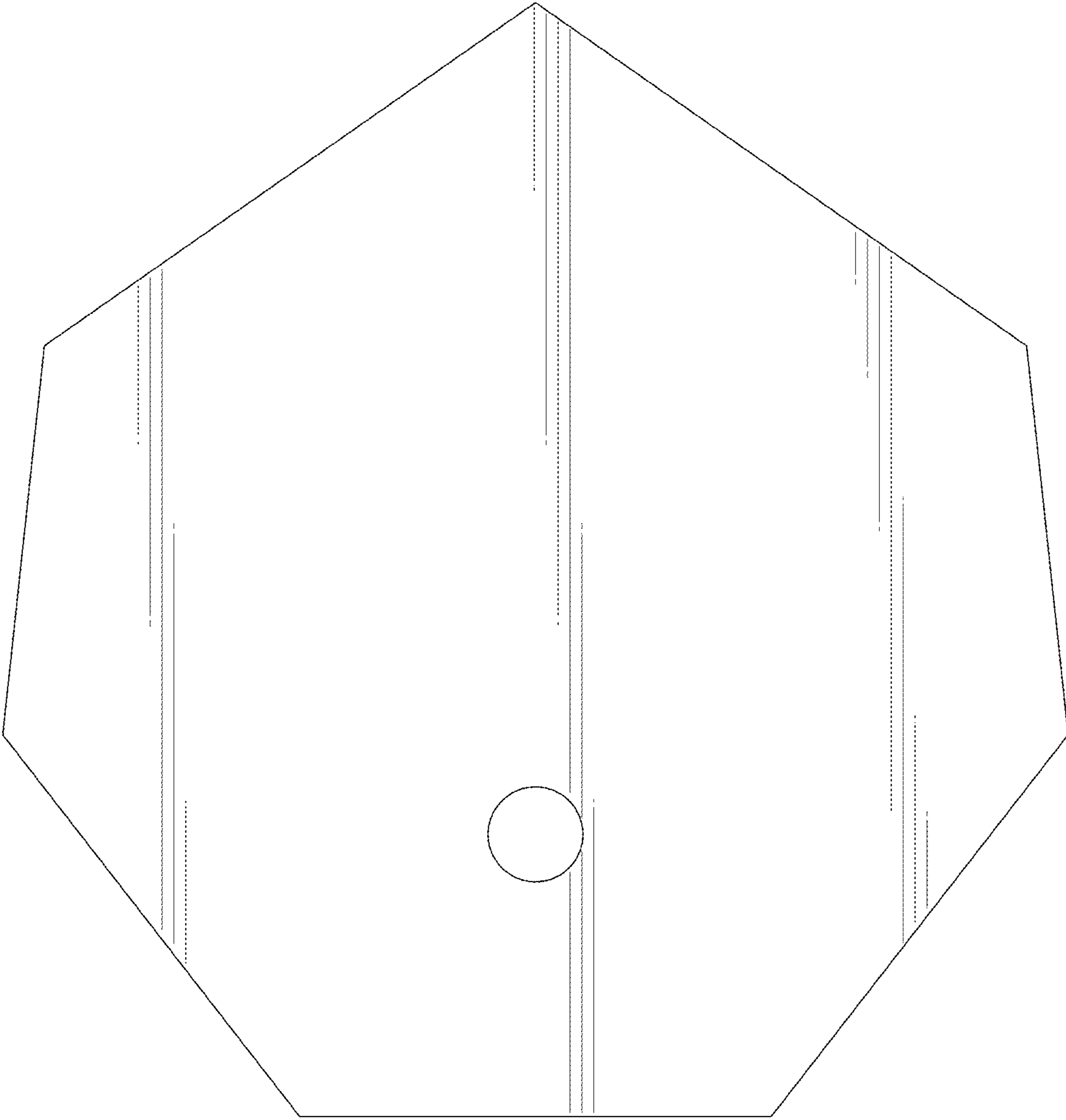


FIG. 2



FIG. 3

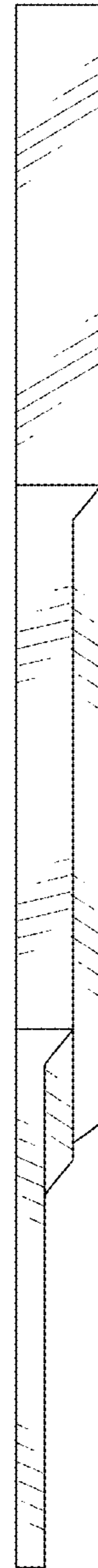


FIG. 4



FIG. 5

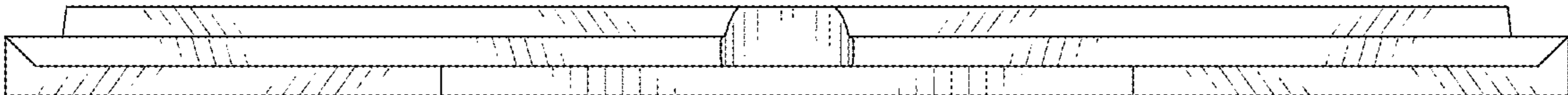


FIG. 6

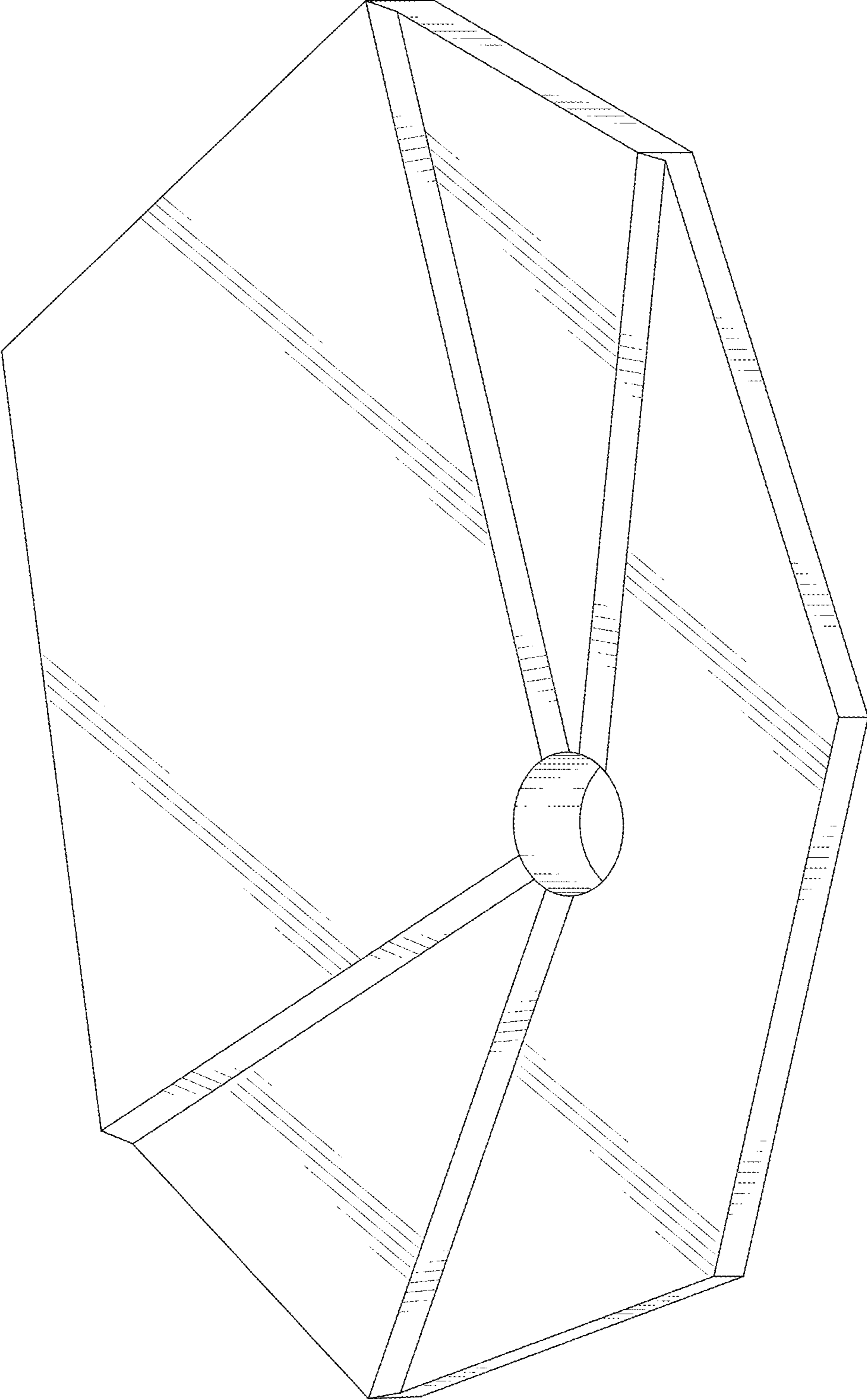


FIG. 7