



US00D970617S

(12) **United States Design Patent** (10) **Patent No.:** **US D970,617 S**
Peel (45) **Date of Patent:** **** Nov. 22, 2022**

(54) **WRITING IMPLEMENT**

(71) Applicant: **Richard Peel**, Shudy Camps (GB)

(72) Inventor: **Richard Peel**, Shudy Camps (GB)

(**) Term: **15 Years**

(21) Appl. No.: **29/753,808**

(22) Filed: **Oct. 2, 2020**

(30) **Foreign Application Priority Data**

Apr. 3, 2020 (EM) 007786884

(51) **LOC (13) Cl.** **19-16**

(52) **U.S. Cl.**
USPC **D19/158**

(58) **Field of Classification Search**
USPC D8/61; D24/112, 119, 209; D26/38;
D14/341, 411, 480; D19/142, 153, 158,
D19/177, 180, 192, 195, 196, 201, 202
CPC G06F 3/0354; G06F 3/0442
See application file for complete search history.

(56) **References Cited**

U.S. PATENT DOCUMENTS

D221,128 S * 7/1971 Current D8/61
D246,904 S * 1/1978 MacIntosh D19/920
D333,676 S * 3/1993 Bedol 401/7
D359,508 S * 6/1995 Debbas 401/6

(Continued)

FOREIGN PATENT DOCUMENTS

CN 305348174 * 9/2019
CN 305498771 * 12/2019

OTHER PUBLICATIONS

Firesara Pencil Grips, Amazon.com, date published Jan. 23, 2018, date retrieved May 2, 2022—29753808—https://amzn.to/38FIMpY (Year: 2018).*

Primary Examiner — Jennifer L Rempfer

Assistant Examiner — Danielle Nichole Bowly

(74) *Attorney, Agent, or Firm* — Renner, Kenner, Greive, Bobak, Taylor & Weber

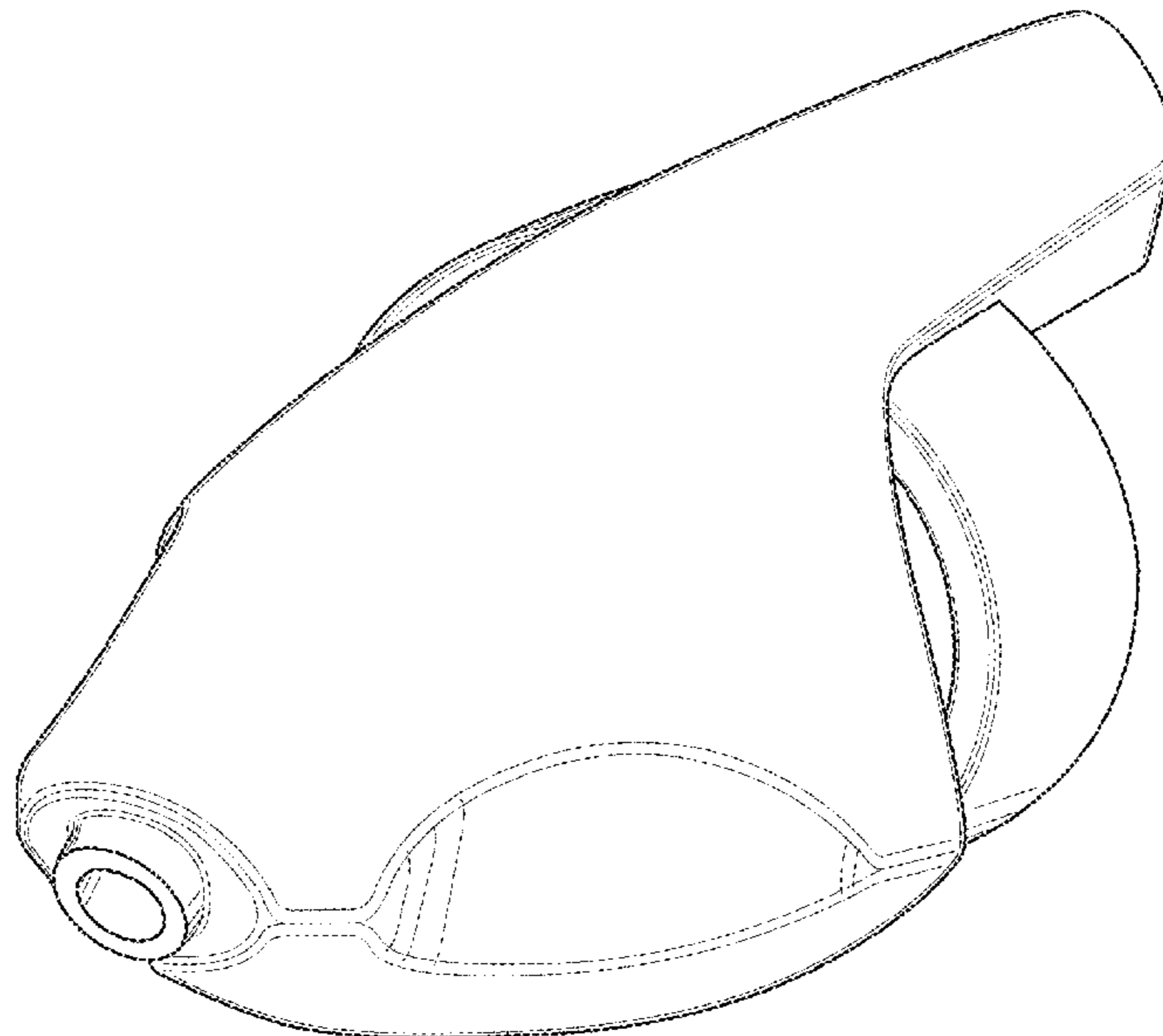
(57) **CLAIM**

The ornamental design for a writing implement, as shown and described.

DESCRIPTION

FIG. 1 is a front perspective view of a first embodiment of a writing implement of this invention;
FIG. 2 is a rear perspective view of the first embodiment;
FIG. 3 is a front elevation view of the first embodiment;
FIG. 4 is a rear elevation view of the first embodiment;
FIG. 5 is a right-side elevation view of the first embodiment, the left side elevation being a mirror image thereof;
FIG. 6 is a top plan view of the first embodiment;
FIG. 7 is a bottom plan view of the first embodiment;
FIG. 8 is a front perspective view of a second embodiment of a writing implement of this invention;
FIG. 9 is an exploded front perspective view of the second embodiment;
FIG. 10 is a rear perspective view of the second embodiment;
FIG. 11 is an exploded bottom plan view of the second embodiment;
FIG. 12 is an exploded front elevation view of the second embodiment;
FIG. 13 is a right-side elevation view of the second embodiment, the left side elevation being a mirror image thereof;
FIG. 14 is a rear elevation view of the second embodiment;
FIG. 15 is a front elevation view of the second embodiment;
FIG. 16 is a top plan view of the second embodiment; and,
FIG. 17 is a bottom plan of the second embodiment.

1 Claim, 17 Drawing Sheets



(56)

References Cited

U.S. PATENT DOCUMENTS

D439,613	S	*	3/2001	Ham	D19/163
D453,792	S	*	2/2002	Tung	D19/165
D487,772	S	*	3/2004	Lin	D19/934
D508,716	S	*	8/2005	Bhavnani	D19/180
D509,506	S	*	9/2005	Huang	D14/403
D553,188	S	*	10/2007	DaBoll	G09B 11/02 D19/920
D590,492	S	*	4/2009	Powell	D24/107
D674,440	S	*	1/2013	Papenfuß	D19/163
D705,484	S	*	5/2014	Bourgeois	D24/209
D820,464	S	*	6/2018	Gabriele	D24/209
10,824,250	B1	*	11/2020	Earner	G06F 3/0412
D909,595	S	*	2/2021	Lee	D24/209

* cited by examiner

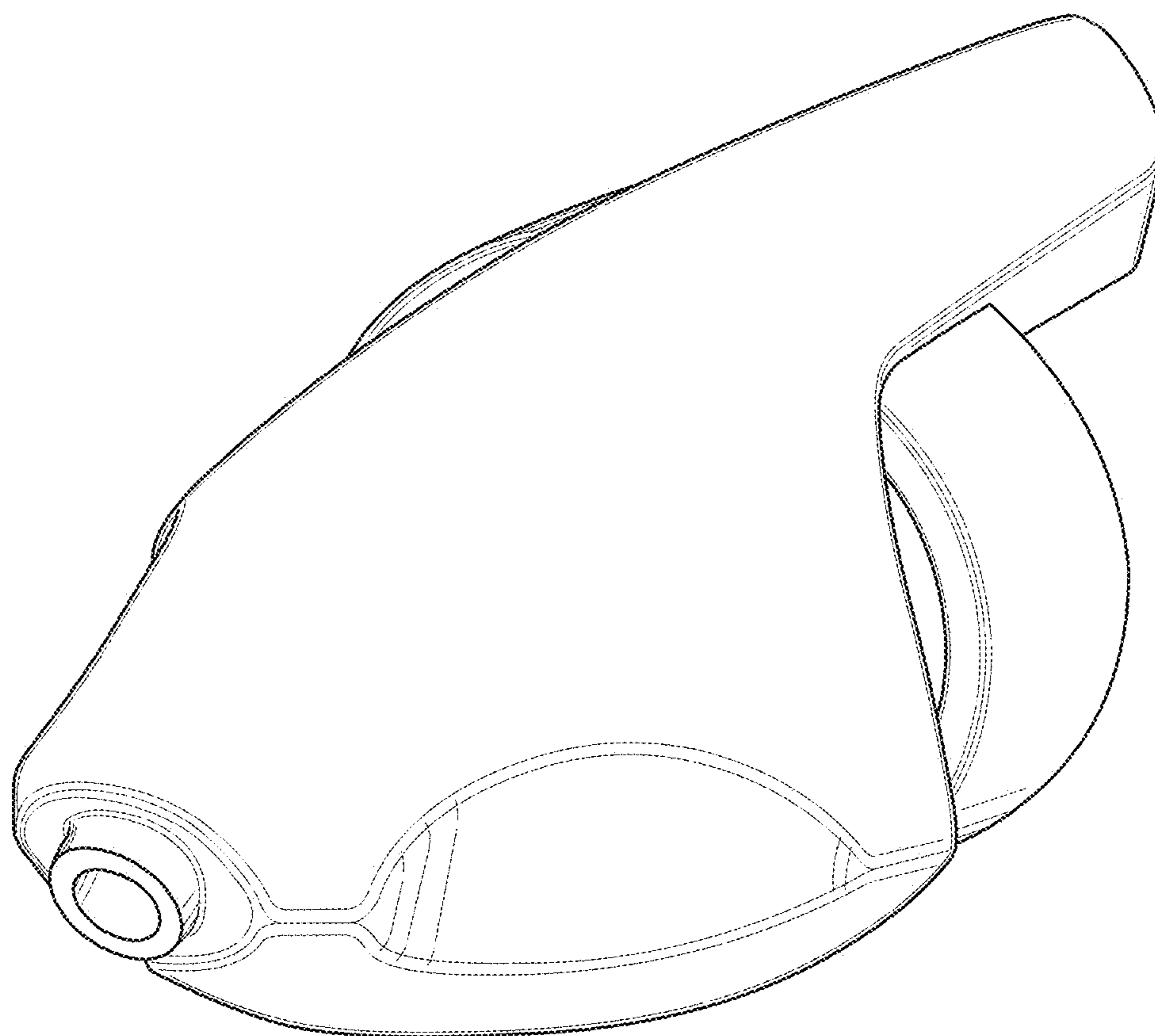


FIGURE 1

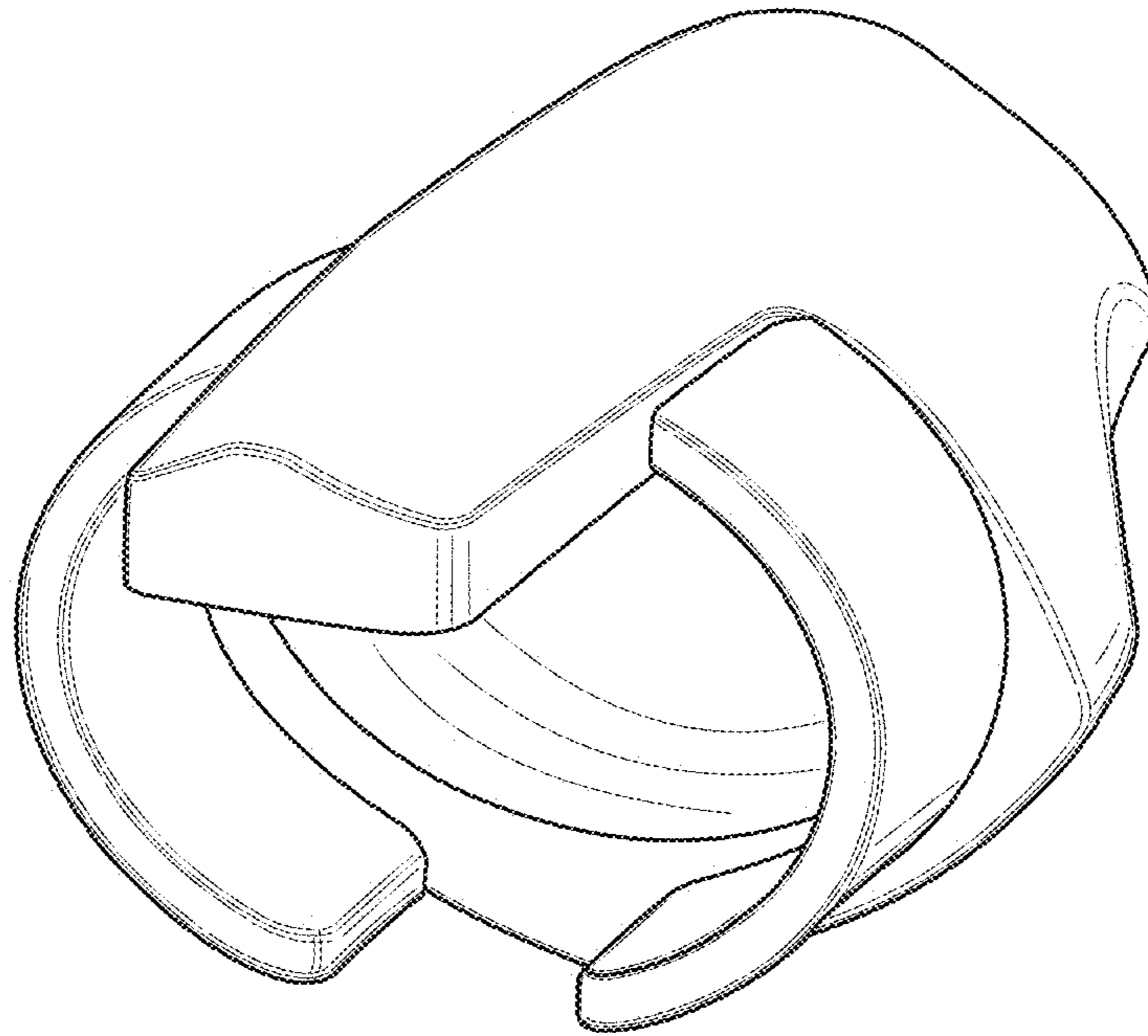


FIGURE 2

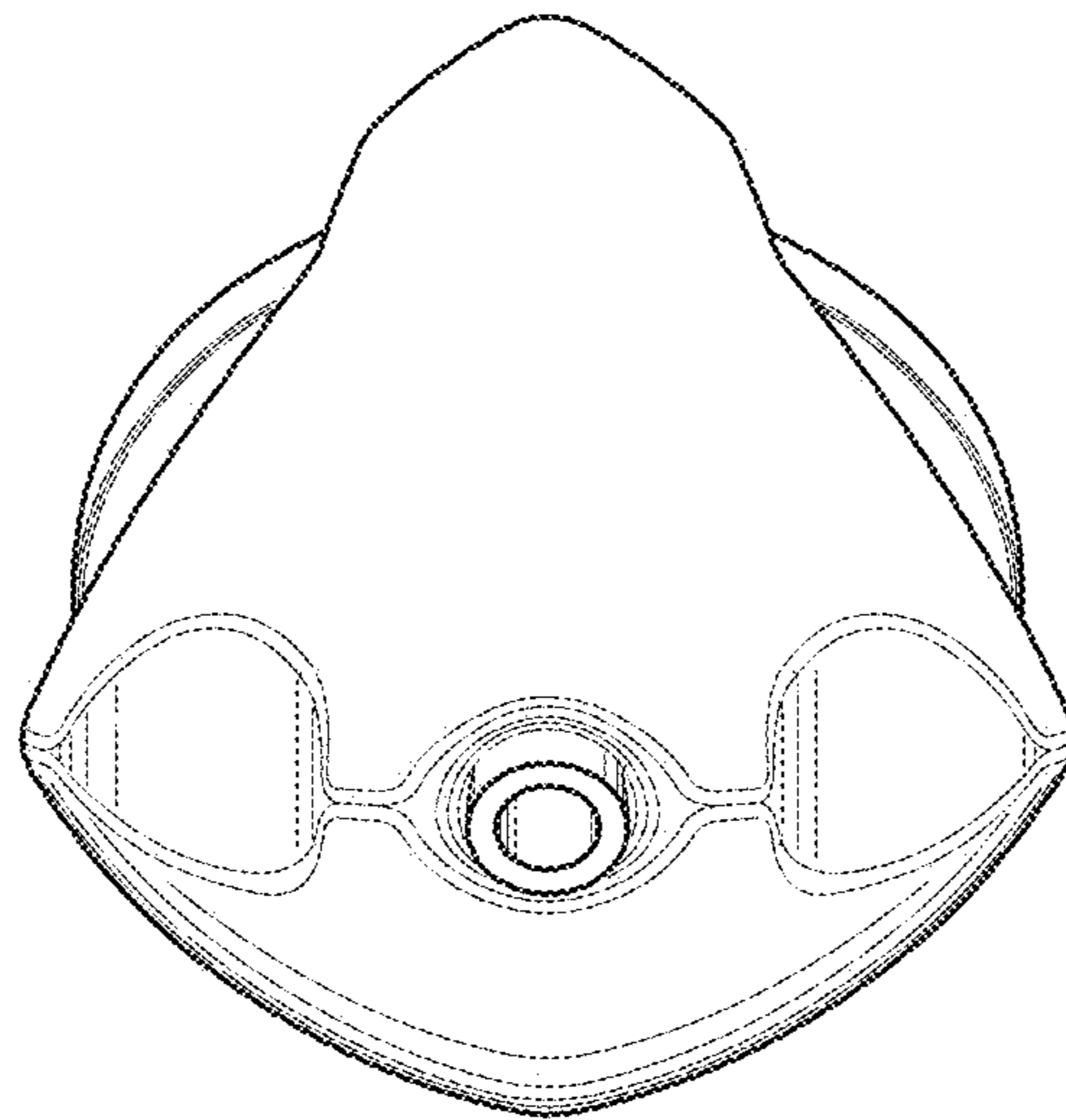


FIGURE 3

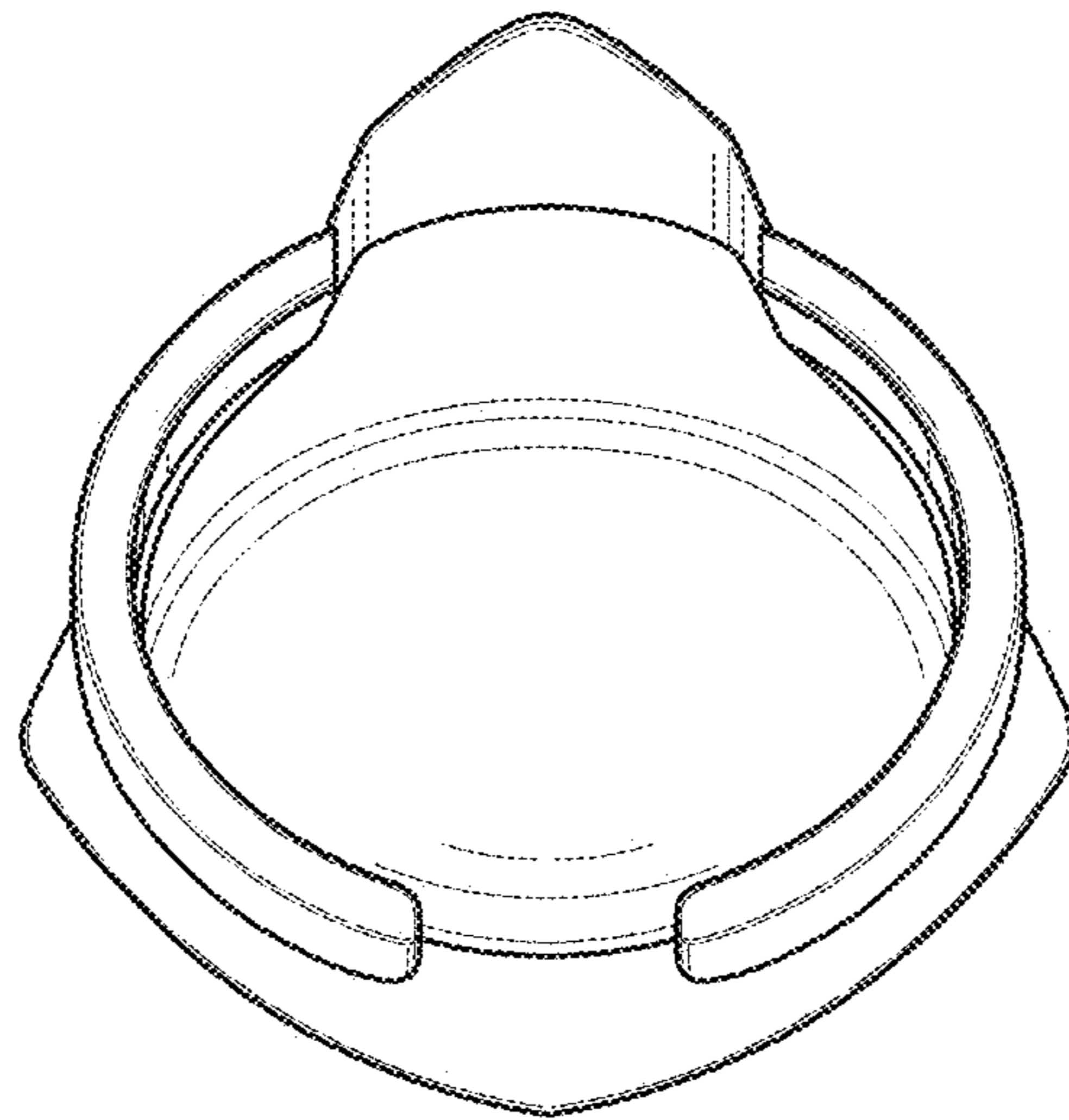


FIGURE 4

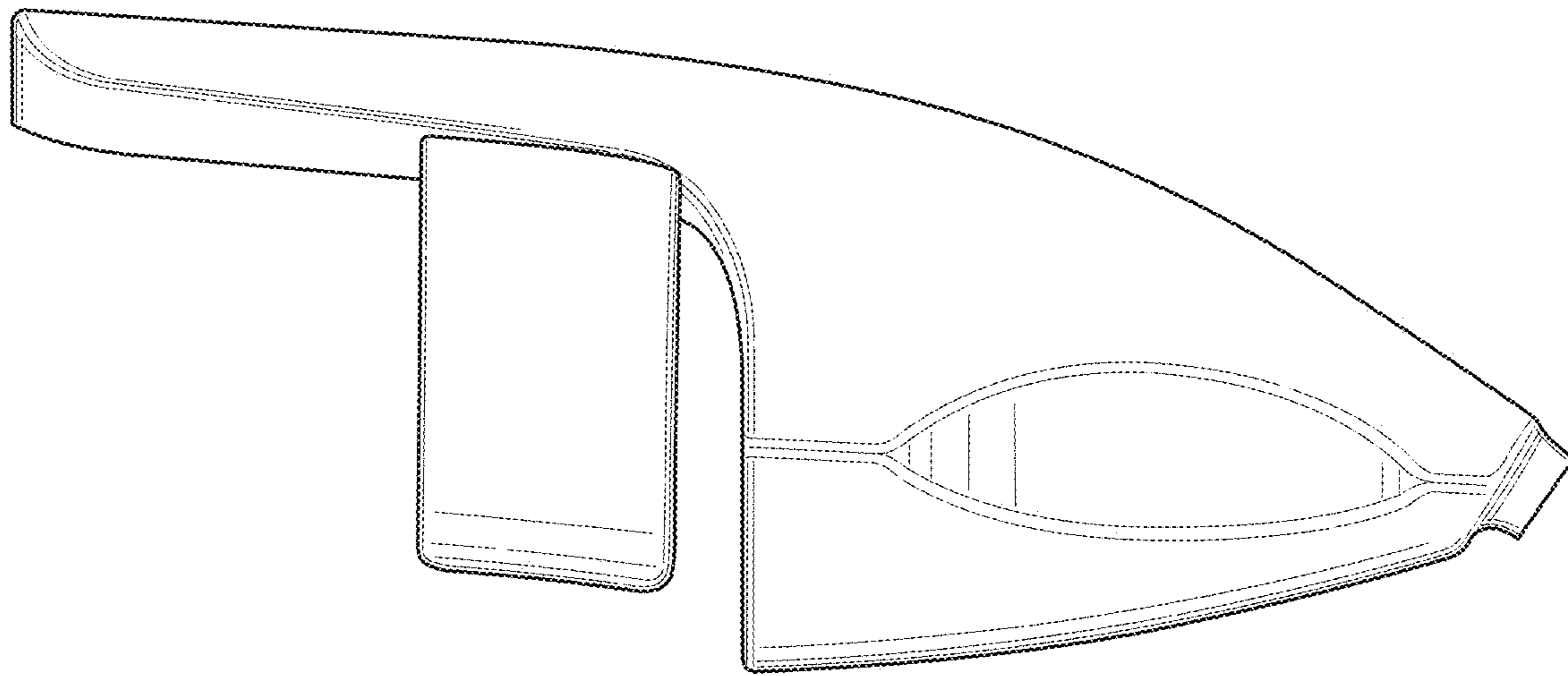


FIGURE 5

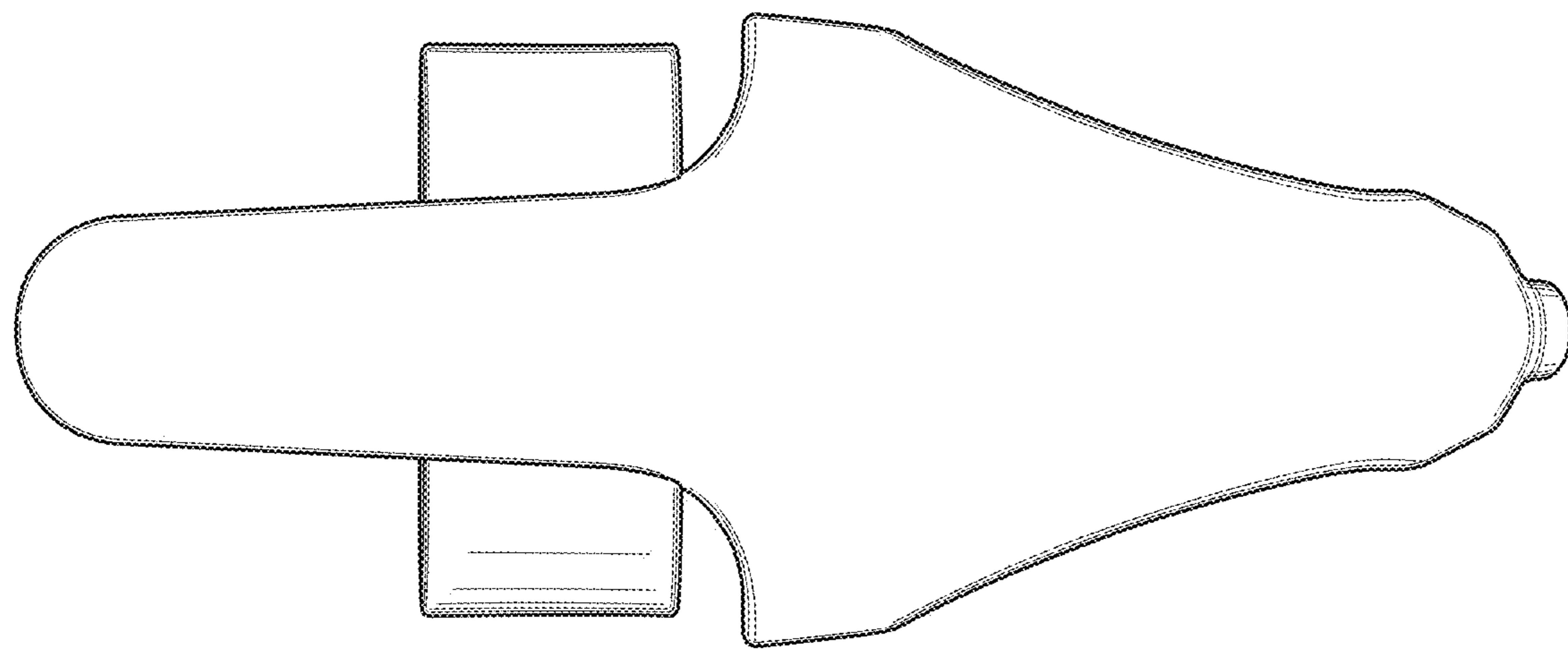


FIGURE 6

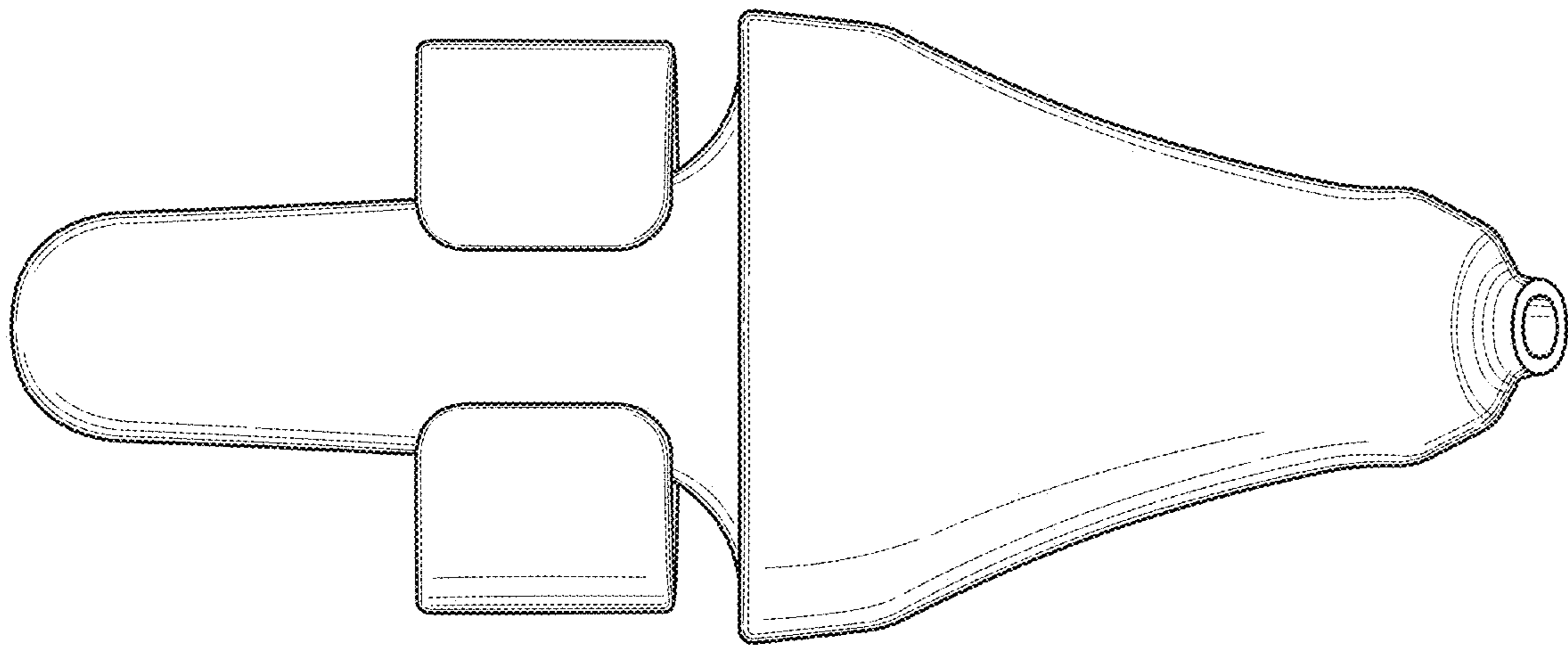


FIGURE 7

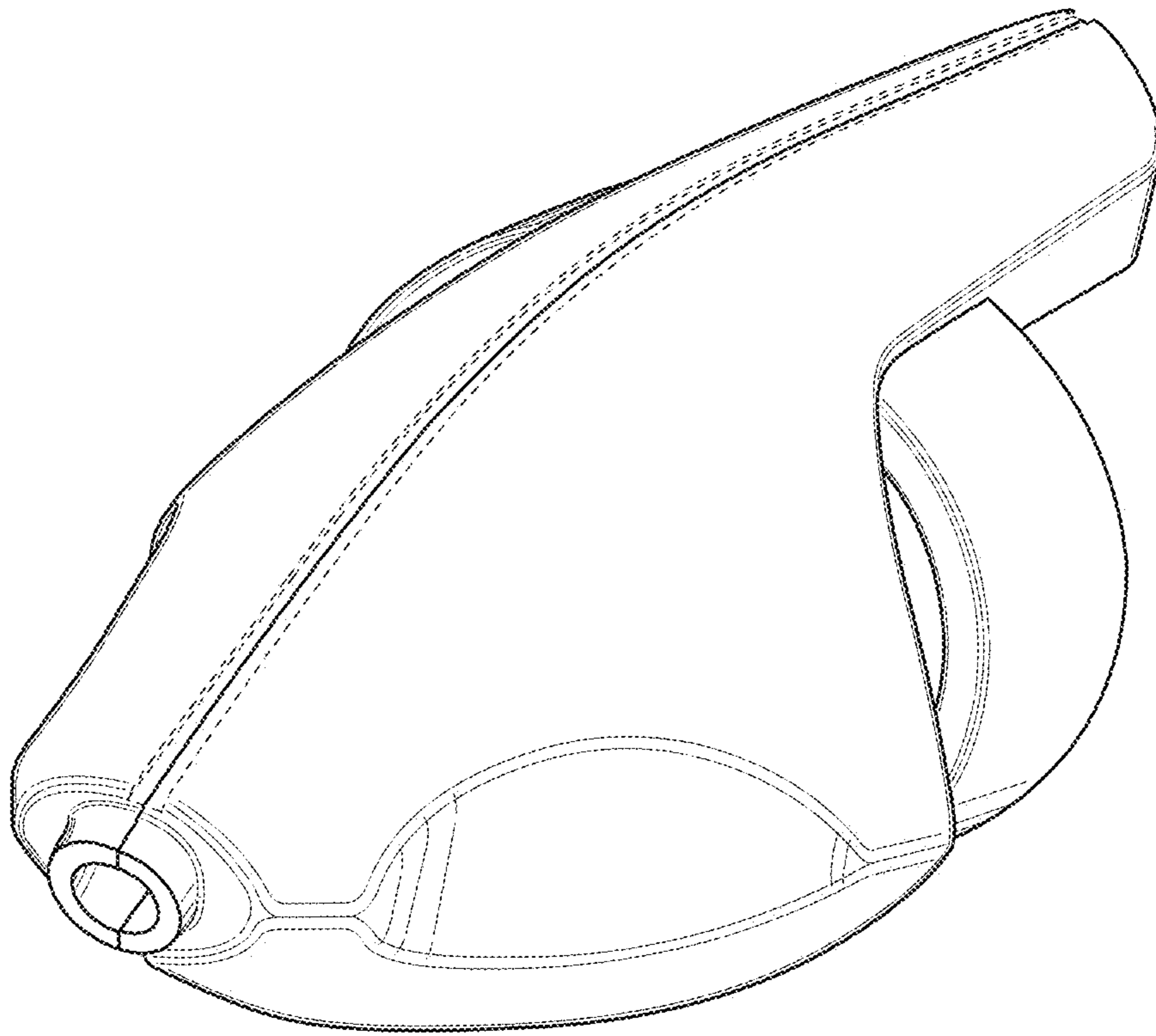


FIGURE 8

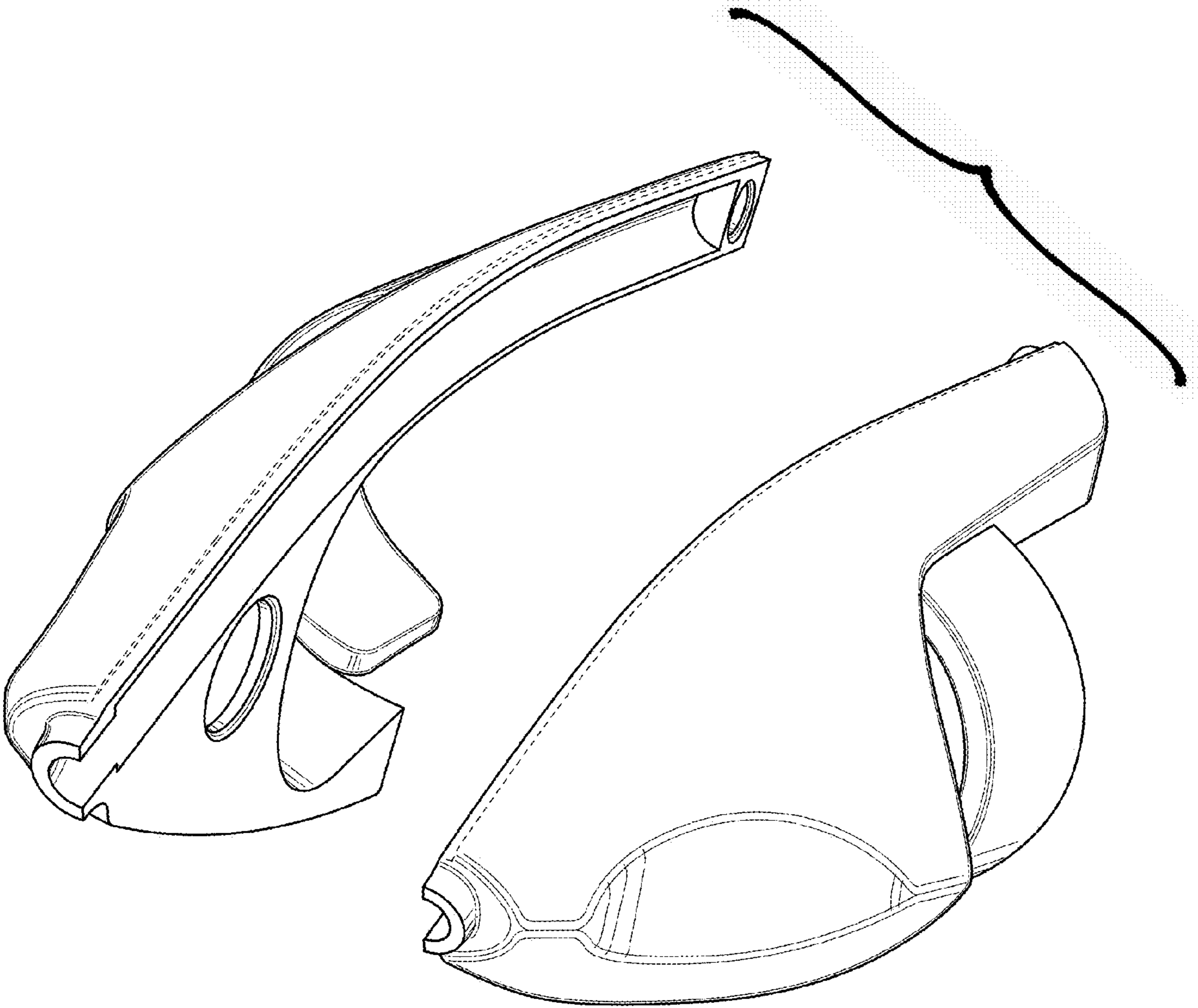


FIGURE 9

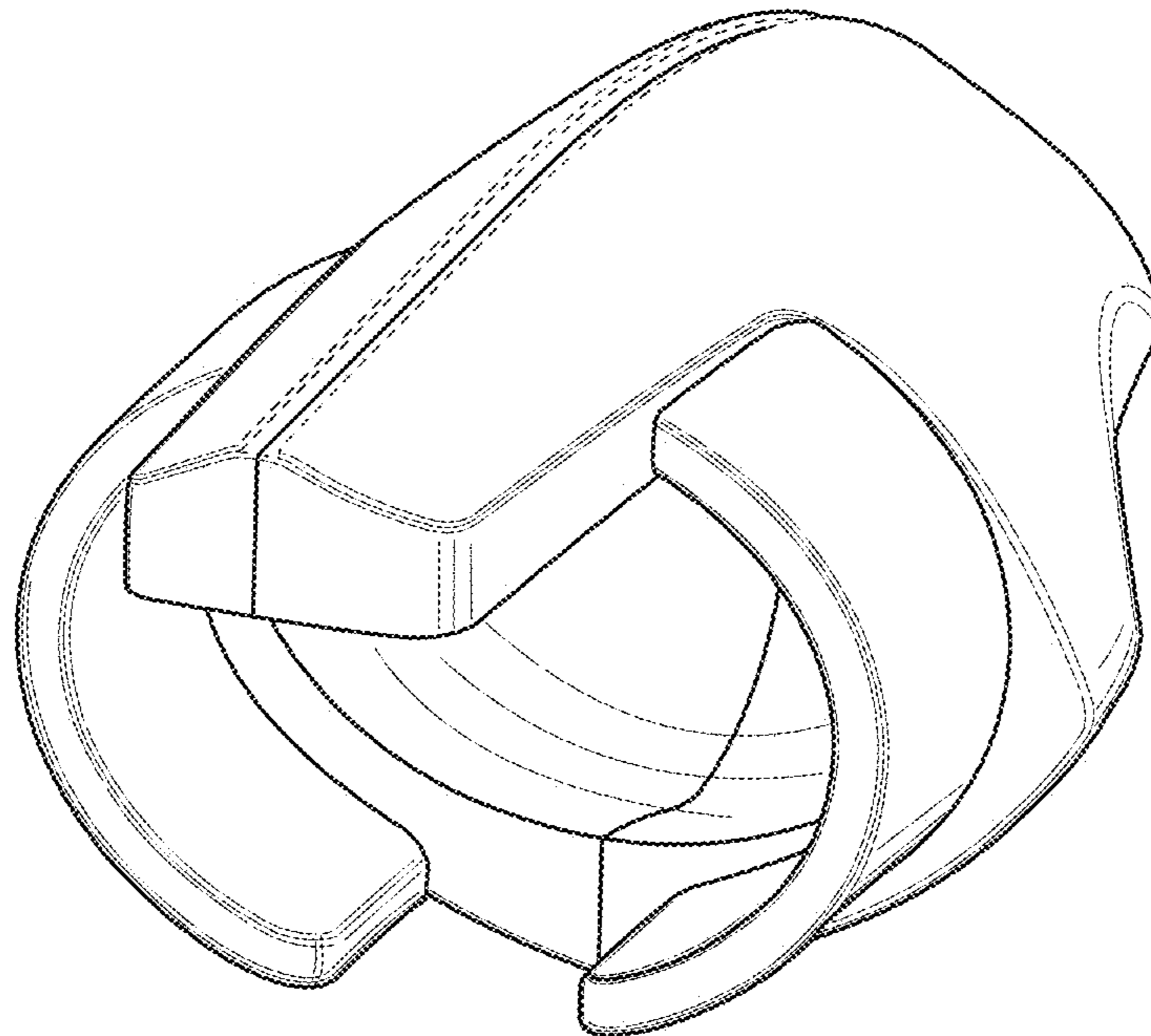


FIGURE 10

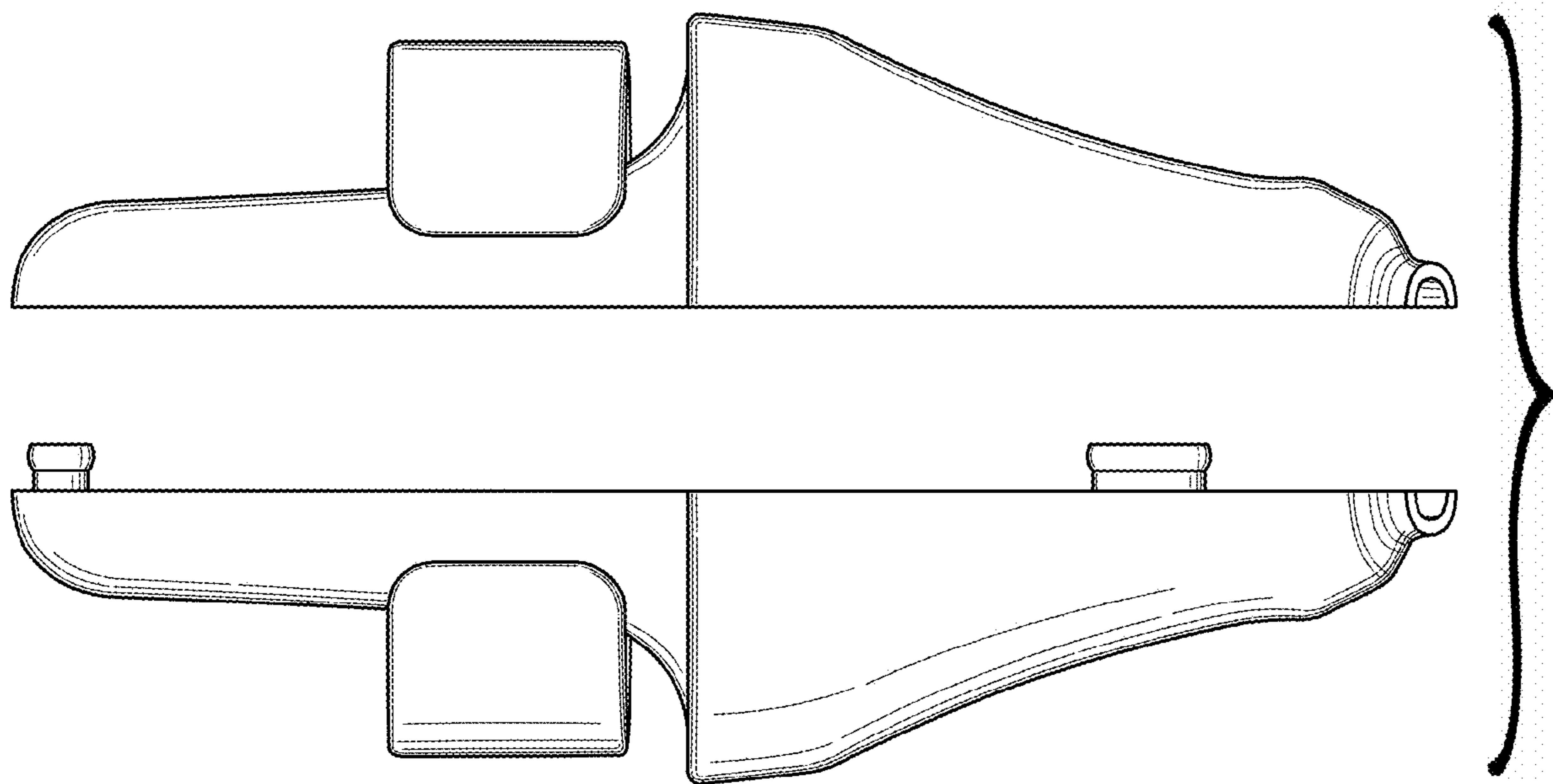


FIGURE 11

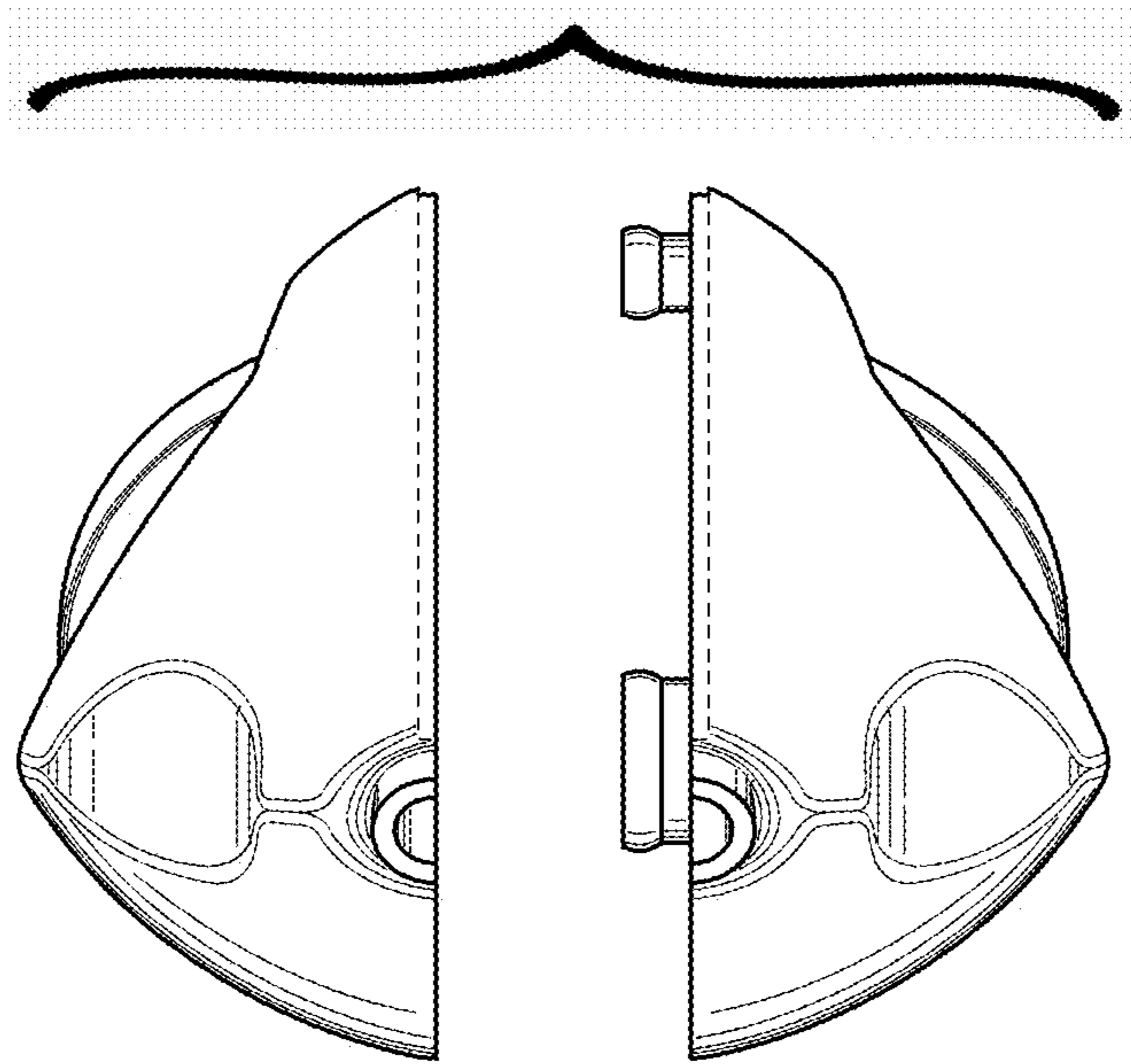


FIGURE 12

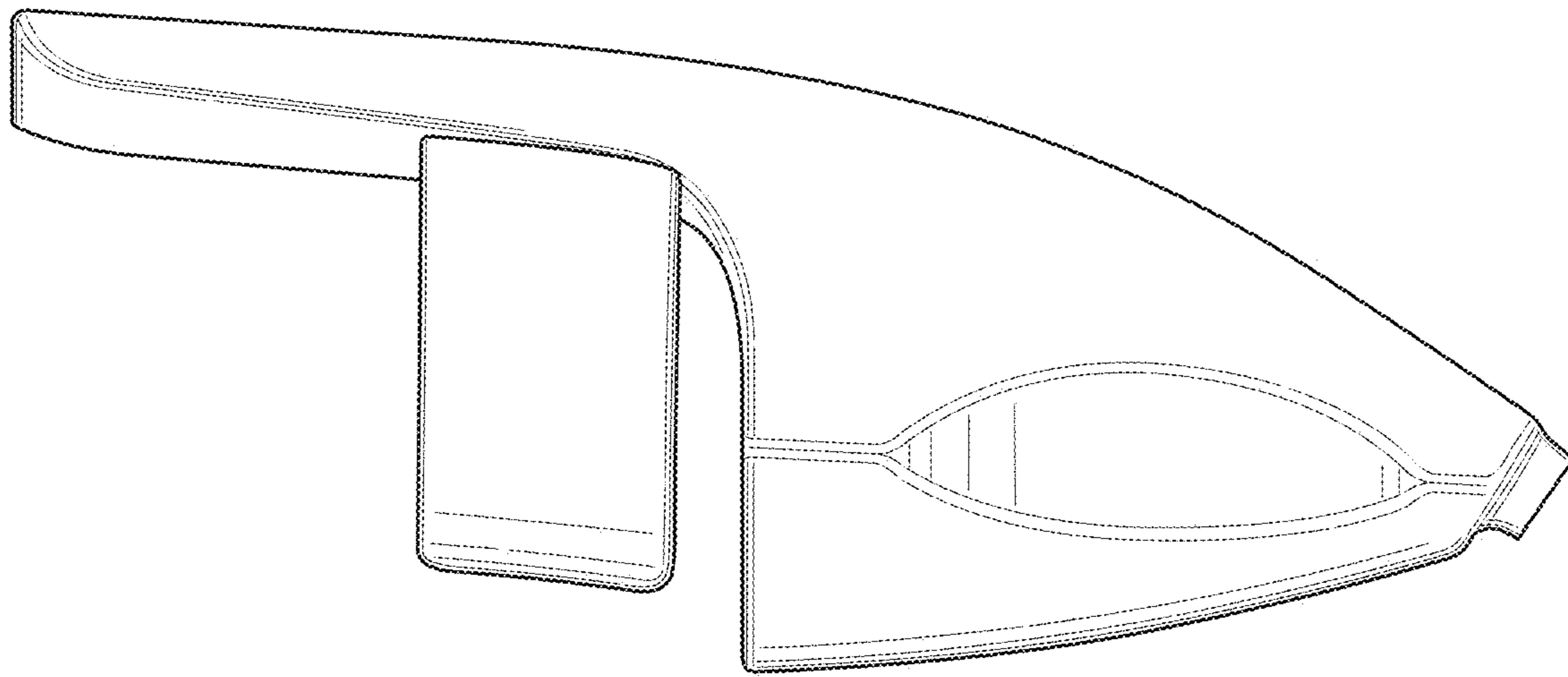


FIGURE 13

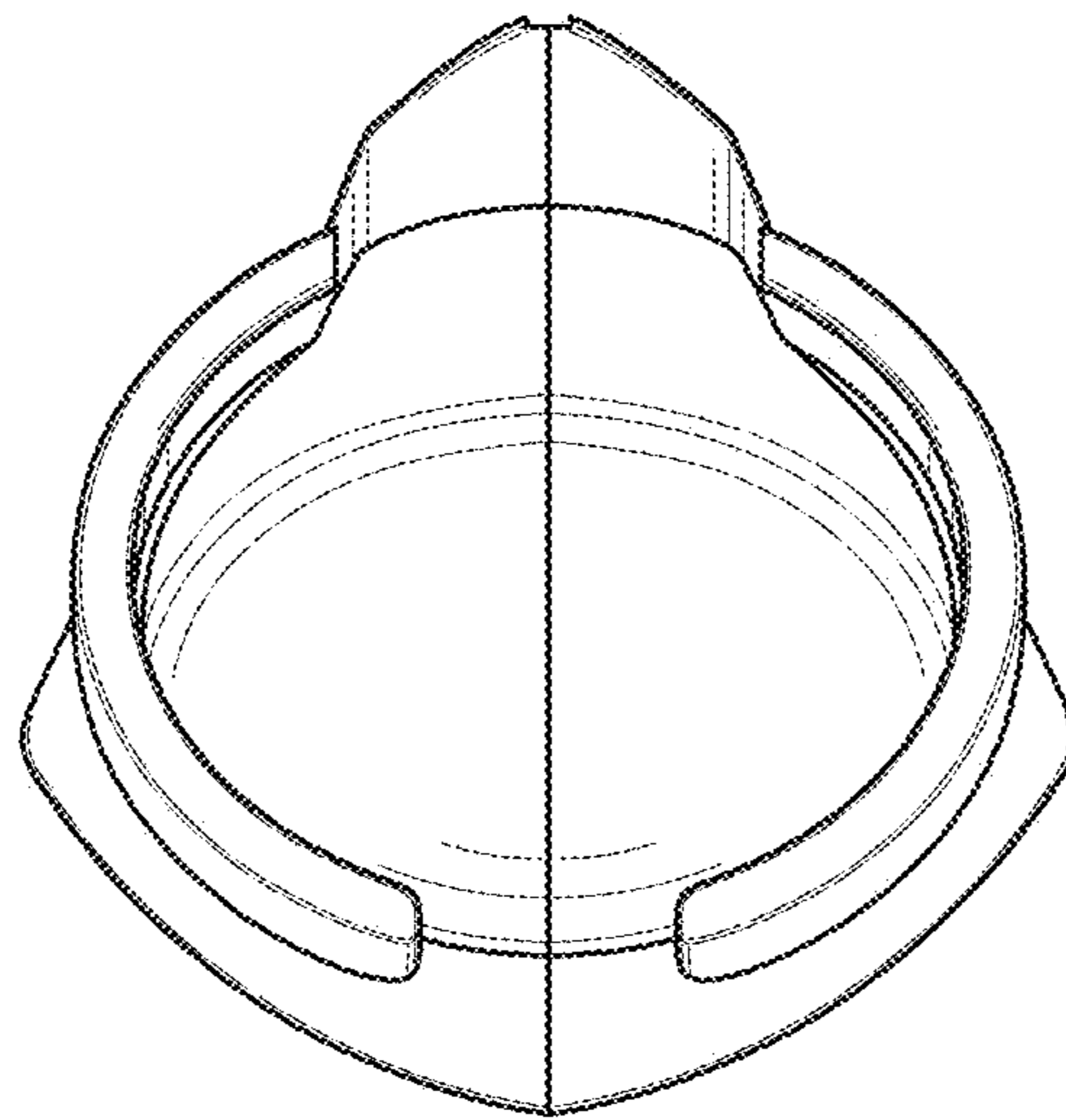


FIGURE 14

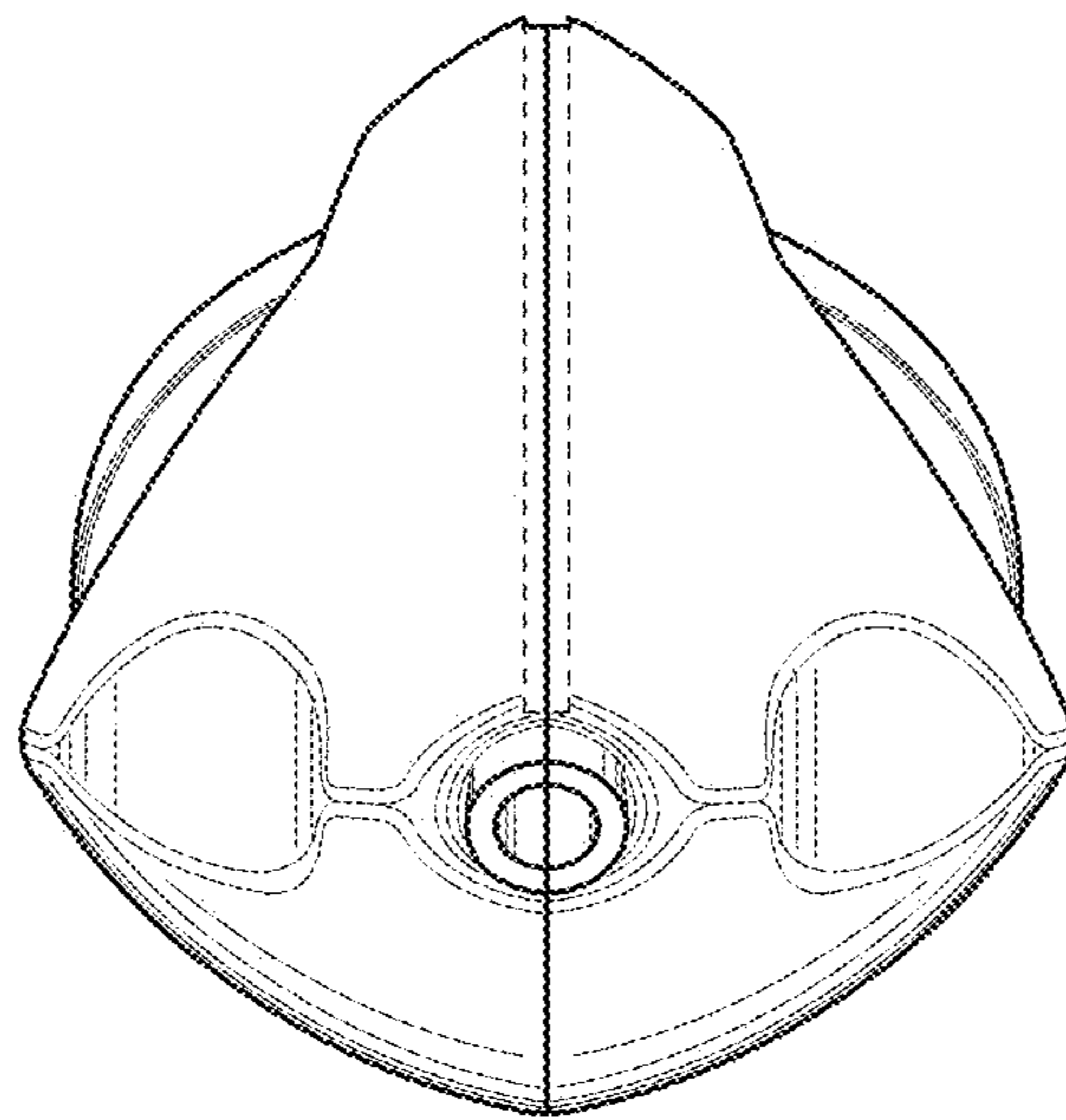


FIGURE 15

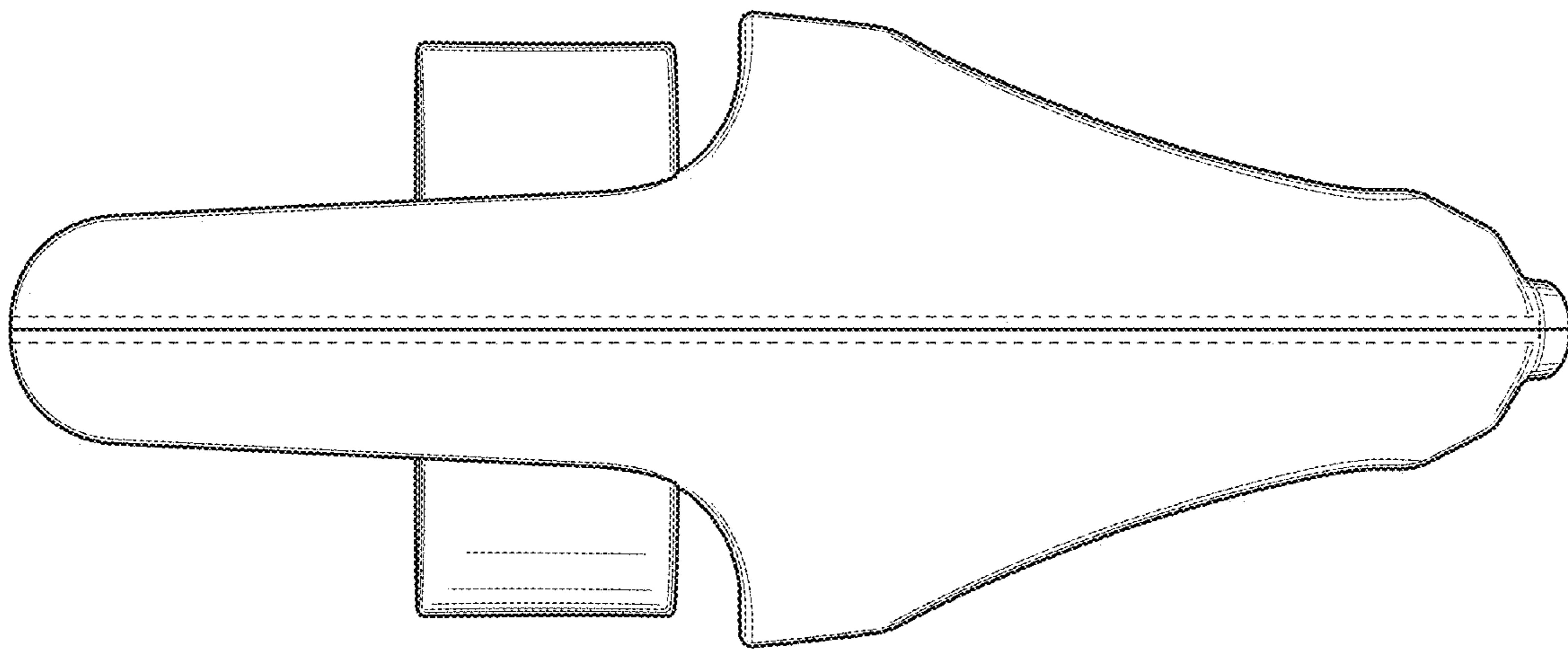


FIGURE 16

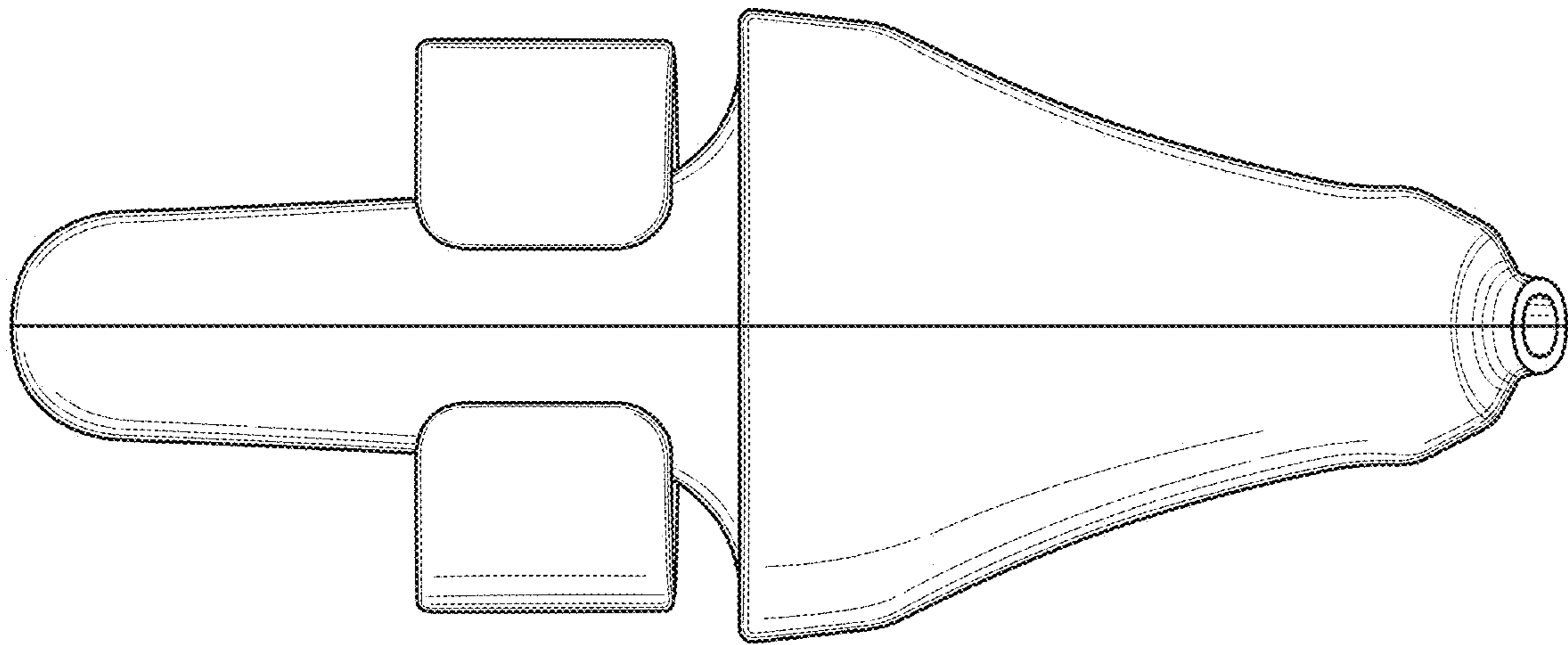


FIGURE 17