



US00D970610S

(12) **United States Design Patent** (10) **Patent No.:** **US D970,610 S**  
**Kraft et al.** (45) **Date of Patent:** **\*\* Nov. 22, 2022**

(54) **BUSINESS FORM HAVING A WRISTBAND WITH SLOTS**  
(71) Applicant: **Ward-Kraft, Inc.**, Fort Scott, KS (US)  
(72) Inventors: **Roger Kraft**, Fort Scott, KS (US);  
**Gina Staudinger**, Louisburg, KS (US);  
**Phil Quick**, Fort Scott, KS (US)  
(73) Assignee: **Ward-Kraft, Inc.**, Fort Scott, KS (US)

3,153,869 A 10/1964 Twentier  
3,197,899 A 8/1965 Twentier  
3,402,808 A 9/1968 Yannuzzi  
3,517,802 A 6/1970 Patrick  
3,585,743 A 6/1971 Jeffers  
3,660,916 A 5/1972 Mcdermott et al.  
3,854,229 A 12/1974 Morgan  
4,004,362 A 1/1977 Barbieri  
4,078,324 A 3/1978 Wiebe  
4,138,234 A 2/1979 Kubesa  
4,179,833 A 12/1979 Knodel

(Continued)

(\*\*) Term: **15 Years**

**FOREIGN PATENT DOCUMENTS**

(21) Appl. No.: **29/778,485**

DE 1039431 B 9/1958  
EP 0996106 A1 4/2000

(Continued)

(22) Filed: **Apr. 13, 2021**

(51) **LOC (13) Cl.** ..... **19-01**

(52) **U.S. Cl.**

USPC ..... **D19/1**

(58) **Field of Classification Search**

USPC ..... D11/3-5; D19/1-8; D20/22, 27, 99;  
D24/189

CPC ..... A44C 5/00; A44C 5/0007; A44C 5/0053;  
G09F 3/00; G09F 3/02; G09F 3/005;  
B42D 15/00

See application file for complete search history.

**OTHER PUBLICATIONS**

Final Office Action, dated Jul. 8, 2021, 9 pages, issued in U.S. Appl. No. 17/013,065.

(Continued)

*Primary Examiner* — Abraham Bahta  
(74) *Attorney, Agent, or Firm* — Avek IP, LLC

(56) **References Cited**

**U.S. PATENT DOCUMENTS**

230,455 A 7/1880 Wilcox  
919,983 A 4/1909 Walsh  
922,948 A 5/1909 Portmore  
1,039,431 A 9/1912 Moore  
1,383,335 A 7/1921 Penksa  
1,517,456 A 12/1924 Pulliam  
2,054,227 A 9/1936 Nichols  
2,073,280 A 3/1937 Lederer  
2,553,676 A 5/1951 Roos  
2,641,074 A 6/1953 Richmond  
2,687,978 A 8/1954 Vogt  
2,914,166 A 11/1959 Bihler

(57) **CLAIM**

The ornamental design for a business form having a wristband with slots, as shown and described.

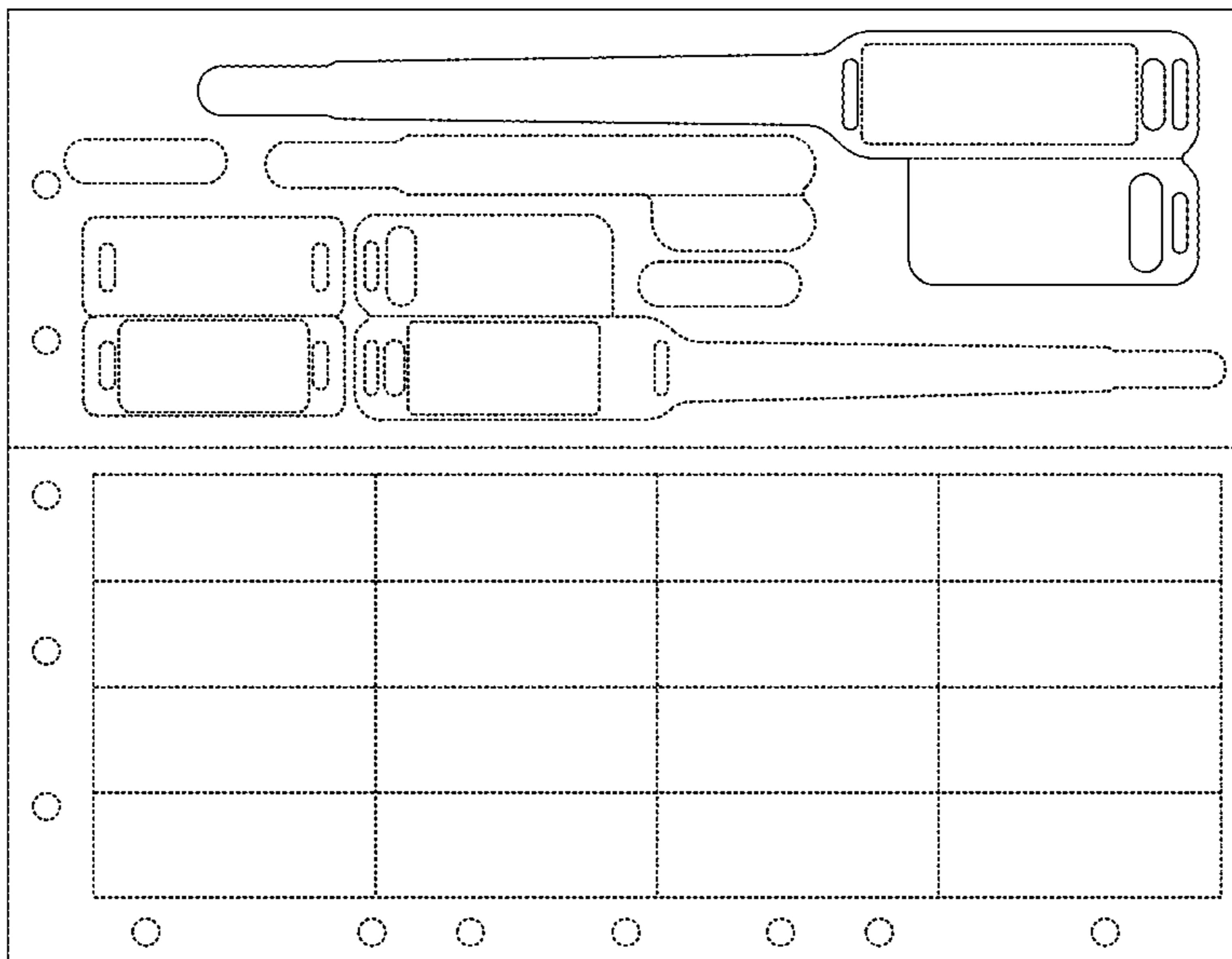
**DESCRIPTION**

FIG. 1 is a front view of the business form having a wristband with slots; and,

FIG. 2 is a back view of the business form having a wristband with slots of FIG. 1.

The dash-dot-dot-dash lines in FIG. 2 illustrate die cuts that form part of the claimed design. The dashed lines shown in FIGS. 1 and 2 do not form a part of the claimed design.

**1 Claim, 2 Drawing Sheets**



(56)

References Cited

U.S. PATENT DOCUMENTS

4,226,036 A	10/1980	Krug	5,837,337 A	11/1998	Schnitzer
4,233,715 A	11/1980	Mcdermott	5,837,341 A	11/1998	Johnstone
4,314,415 A	2/1982	De Woskin	5,840,143 A	11/1998	Swanson
4,318,234 A	3/1982	Charles et al.	5,842,722 A	12/1998	Carlson
4,370,370 A	1/1983	Iwata et al.	5,877,742 A	3/1999	Klink
4,565,731 A	1/1986	Komatsu et al.	5,933,993 A	8/1999	Riley
4,612,718 A	9/1986	Golub et al.	5,984,363 A	11/1999	Dotson et al.
4,627,994 A	12/1986	Welsch	6,000,160 A	12/1999	Riley
4,630,384 A	12/1986	Breen	6,006,460 A	12/1999	Blackmer
4,682,431 A	7/1987	Kowalchuk	6,016,618 A	1/2000	Attia et al.
4,696,843 A	9/1987	Schmidt	D423,044 S	4/2000	Burke et al.
4,783,917 A	11/1988	Smith et al.	6,053,535 A	4/2000	Washburn et al.
4,829,604 A	5/1989	Allen et al.	6,055,756 A	5/2000	Aoki
4,854,610 A	8/1989	Kwiatek	6,058,639 A	5/2000	Tinklenberg et al.
4,855,277 A	8/1989	Walter	6,067,739 A	5/2000	Riley
4,914,843 A	4/1990	Dewoskin	6,071,585 A	6/2000	Roth
4,941,210 A	7/1990	Konucik	6,092,321 A	7/2000	Cheng
4,950,638 A	8/1990	Yuyama et al.	6,108,876 A	8/2000	Hubbert
4,956,931 A	9/1990	Selke et al.	6,155,476 A	12/2000	Fabel
D312,654 S	12/1990	Giordano	6,155,603 A	12/2000	Fox
4,978,144 A	12/1990	Schmidt et al.	6,159,570 A	12/2000	Ulrich et al.
4,991,337 A	2/1991	Solon	6,199,730 B1	3/2001	Chisolm
RE33,616 E	6/1991	Welsch	D448,404 S	9/2001	Hamilton et al.
5,026,084 A	6/1991	Pasfield	6,303,539 B1	10/2001	Tony
5,045,426 A	9/1991	Maierson et al.	6,331,018 B1	12/2001	Roth et al.
5,048,870 A	9/1991	Mangini et al.	6,343,819 B1	2/2002	Shiozaki
5,135,789 A	8/1992	Schmidt	6,361,078 B1	3/2002	Chess
5,222,823 A	6/1993	Conforti et al.	6,364,366 B1	4/2002	Schwartz
5,227,004 A	7/1993	Belger	6,409,871 B1	6/2002	Washburn et al.
5,227,209 A	7/1993	Garland	6,438,881 B1	8/2002	Riley
5,283,969 A	2/1994	Weiss	6,510,634 B1	1/2003	Riley
5,311,689 A	5/1994	Lindsey	6,517,921 B2	2/2003	Ulrich et al.
5,318,326 A	6/1994	Garrison	D473,264 S	4/2003	Sanford et al.
5,331,140 A	7/1994	Stephany	6,611,962 B2	9/2003	Redwood et al.
5,351,993 A	10/1994	Wright et al.	6,641,048 B1	11/2003	Schintz et al.
5,364,133 A	11/1994	Hofer et al.	6,685,228 B2	2/2004	Riley
5,370,420 A	12/1994	Khatib et al.	6,748,687 B2	6/2004	Riley
5,381,617 A	1/1995	Schwartztol et al.	6,782,648 B1	8/2004	Mosher, Jr.
5,383,686 A	1/1995	Laurash	6,807,680 B2	10/2004	Sloot
5,395,667 A	3/1995	Ohno et al.	6,836,215 B1	12/2004	Laurash et al.
5,401,110 A	3/1995	Neeley	6,844,041 B2	1/2005	Squier et al.
5,418,026 A	5/1995	Dronzek, Jr. et al.	D503,197 S	3/2005	Stewart et al.
5,421,942 A	6/1995	Hoffmann	6,863,311 B2	3/2005	Riley
5,423,574 A	6/1995	Forte-Pathroff	6,971,200 B2	12/2005	Paul et al.
5,427,416 A	6/1995	Birch	6,981,948 B2	1/2006	Pellegrino et al.
5,448,846 A	9/1995	Peterson et al.	7,017,293 B2	3/2006	Riley
5,457,906 A	10/1995	Mosher, Jr.	7,017,294 B2	3/2006	Riley et al.
5,486,021 A	1/1996	Laurash	D521,565 S	5/2006	Stewart et al.
5,486,436 A	1/1996	Dale	7,047,682 B2	5/2006	Riley
5,509,693 A	4/1996	Kohls	7,197,842 B2	4/2007	Ali
5,509,694 A	4/1996	Laurash et al.	7,222,448 B2	5/2007	Riley
5,518,787 A	5/1996	Konkol	7,240,446 B2	7/2007	Bekker
5,524,934 A	6/1996	Schwan et al.	7,286,055 B2	10/2007	Girvin et al.
5,547,227 A	8/1996	Laurash et al.	7,325,347 B2	2/2008	Riley
5,560,657 A	10/1996	Morgan	7,386,949 B2	6/2008	Riley
5,562,789 A	10/1996	Hoffmann	7,454,854 B2	11/2008	Riley et al.
5,581,924 A	12/1996	Peterson	7,461,473 B2	12/2008	Riley
5,586,788 A	12/1996	Laurash	7,520,077 B2	4/2009	Riley
5,595,404 A	1/1997	Skees	7,523,576 B1	4/2009	Petty
5,596,202 A	1/1997	Arakawa	7,654,024 B2	2/2010	Riley
5,598,970 A	2/1997	Mudry et al.	7,658,026 B2	2/2010	Jain et al.
5,601,222 A	2/1997	Haddad	7,658,027 B2	2/2010	Jain et al.
5,601,313 A	2/1997	Konkol et al.	D611,984 S *	3/2010	Ali ..... D19/1
5,630,627 A	5/1997	Stewart	7,763,344 B2	7/2010	Riley et al.
5,637,369 A	6/1997	Stewart	7,779,569 B2	8/2010	Riley et al.
5,648,143 A	7/1997	Mehta et al.	7,779,570 B2	8/2010	Riley
5,653,472 A	8/1997	Huddleston et al.	7,784,209 B2	8/2010	Greer
5,662,976 A	9/1997	Popat et al.	7,784,210 B2	8/2010	Riley et al.
5,670,015 A	9/1997	Finestone et al.	7,818,908 B2	10/2010	Greer
5,687,903 A	11/1997	Akridge et al.	7,823,310 B2	11/2010	Jain et al.
5,721,178 A	2/1998	Lalande	7,877,915 B2	2/2011	Jain et al.
D391,991 S	3/1998	Conner	7,883,018 B2	2/2011	Riley et al.
5,752,722 A	5/1998	Moore et al.	7,918,045 B2	4/2011	Riley
5,765,885 A	6/1998	Netto	D640,738 S *	6/2011	Jain ..... D19/1
5,785,354 A	7/1998	Haas	7,967,340 B2	6/2011	Hofer et al.
			8,006,422 B2	8/2011	Riley
			8,011,125 B2	9/2011	Riley et al.
			8,042,293 B1	10/2011	Bennett et al.
			8,074,389 B2	12/2011	Greer et al.



(56)

References Cited

U.S. PATENT DOCUMENTS

8,099,888 B2 1/2012 Riley  
 8,109,021 B2 2/2012 Jain et al.  
 8,424,115 B2 4/2013 Greer  
 8,776,417 B2 7/2014 Jain et al.  
 8,844,972 B2 9/2014 Riley et al.  
 8,904,686 B2 12/2014 Greer  
 9,114,187 B2 8/2015 Hofer et al.  
 10,207,020 B2 2/2019 Hofer et al.  
 D853,481 S \* 7/2019 Davis ..... D19/1  
 10,997,874 B1 5/2021 Kraft et al.  
 D930,742 S \* 9/2021 Davis ..... D19/1  
 D941,917 S \* 1/2022 Davis ..... D2/610  
 2002/0152928 A1 10/2002 Lawandy et al.  
 2002/0176973 A1 11/2002 Keiser  
 2003/0001381 A1 1/2003 Riley  
 2003/0003249 A1 1/2003 Benim et al.  
 2003/0011190 A1 1/2003 Ryan  
 2004/0060216 A1 4/2004 Riley  
 2004/0068906 A1 4/2004 Riley et al.  
 2004/0128892 A1 7/2004 Paul et al.  
 2004/0148836 A1 8/2004 Riley  
 2004/0244251 A1 12/2004 Riley  
 2005/0091896 A1 5/2005 Kotik et al.  
 2005/0108912 A1 5/2005 Bekker  
 2005/0279001 A1 12/2005 Riley  
 2005/0281989 A1 12/2005 Finger  
 2006/0113788 A1 6/2006 Riley  
 2006/0230661 A1 10/2006 Bekker  
 2006/0236578 A1 10/2006 Saint et al.  
 2006/0242875 A1 11/2006 Wilson et al.  
 2006/0261958 A1 11/2006 Klein et al.  
 2007/0089342 A1 4/2007 Jain et al.  
 2007/0120358 A1 5/2007 Waggoner et al.  
 2007/0243361 A1 10/2007 Riley et al.  
 2007/0257113 A1 11/2007 Davis et al.  
 2008/0098636 A1 5/2008 Greer  
 2009/0031602 A1 2/2009 Riley  
 2009/0094872 A1 4/2009 Ali et al.  
 2009/0094873 A1 4/2009 Riley  
 2009/0193701 A1 8/2009 Greer  
 2009/0277061 A1 11/2009 Jain et al.  
 2009/0282717 A1 11/2009 Jain et al.  
 2010/0071241 A1 3/2010 Jain et al.  
 2010/0253060 A1 10/2010 Riley et al.  
 2010/0281724 A1 11/2010 Greer et al.

2011/0042933 A1 2/2011 Landsman et al.  
 2012/0210620 A1 8/2012 Jain et al.  
 2013/0056974 A1 3/2013 Jain et al.

FOREIGN PATENT DOCUMENTS

EP 1974603 A2 10/2008  
 EP 2806594 A1 11/2014  
 FR 960859 A 4/1950  
 GB 561777 A 6/1944  
 GB 2045718 A 11/1980  
 GB 2160492 A 12/1985  
 GB 2228915 A 9/1990  
 JP H08190350 A 7/1996  
 JP H08299035 A 11/1996  
 JP 3032299 U 12/1996  
 JP H10207374 A 8/1998  
 JP H1115383 A 1/1999  
 JP 2001316921 A 11/2001  
 JP 2002117190 A 4/2002  
 JP 2002351321 A 12/2002  
 JP 2003066849 A 3/2003  
 JP 2003157010 A 5/2003  
 JP 2003164307 A 6/2003  
 JP 2006039209 A 2/2006  
 WO 9612618 A1 5/1996  
 WO 9823081 A1 5/1998  
 WO 9918817 A1 4/1999  
 WO 0239412 A2 5/2002  
 WO 03003331 A2 1/2003  
 WO 2004028826 A2 4/2004  
 WO 2005064574 A1 7/2005  
 WO 2006007356 A1 1/2006  
 WO 2007021375 A2 2/2007  
 WO 2007133906 A2 11/2007  
 WO 2008079952 A2 7/2008  
 WO 2009099787 A1 8/2009  
 WO 2009137195 A1 11/2009  
 WO 2010129131 A1 11/2010

OTHER PUBLICATIONS

Non-Final Office Action, dated Dec. 29, 2017, 15 pages, issued in U.S. Appl. No. 15/339,105.  
 Non-Final Office Action, dated Jan. 6, 2021, 8 pages, issued in U.S. Appl. No. 17/013,065.  
 Notice of Allowance, dated Jan. 11, 2021, 11 pages, issued in U.S. Appl. No. 16/418,723.

\* cited by examiner

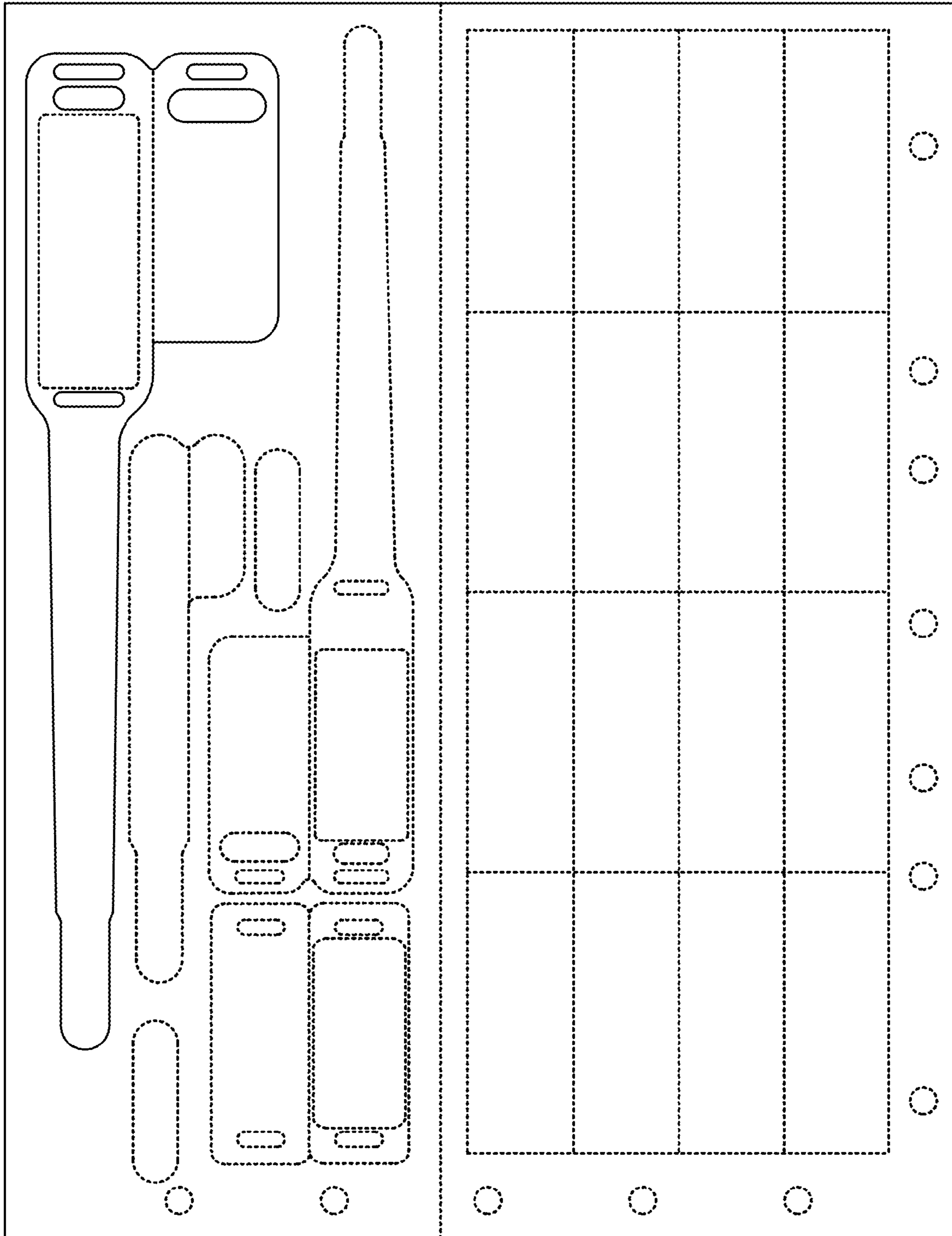


FIG. 1

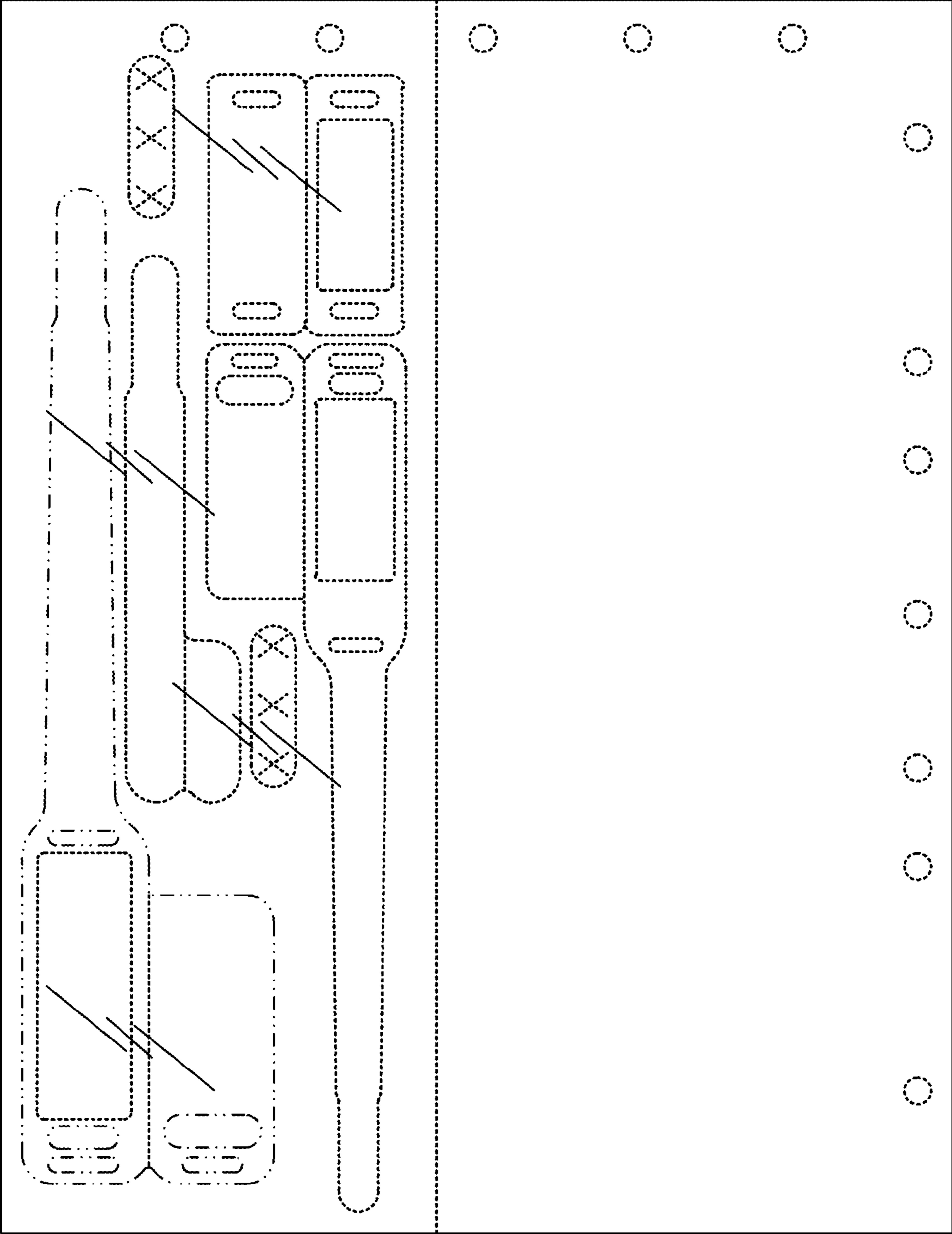


FIG. 2