



US00D970608S

(12) **United States Design Patent**  
**Shiihara**

(10) **Patent No.:** **US D970,608 S**

(45) **Date of Patent:** **\*\* Nov. 22, 2022**

(54) **PRINTER**

(71) Applicant: **FUJIFILM Corporation**, Tokyo (JP)

(72) Inventor: **Tsutomu Shiihara**, Tokyo (JP)

(73) Assignee: **FUJIFILM CORPORATION**, Tokyo (JP)

(\*\*) Term: **15 Years**

(21) Appl. No.: **29/751,003**

(22) Filed: **Sep. 17, 2020**

(30) **Foreign Application Priority Data**

Mar. 24, 2020 (JP) ..... 2020-005584

(51) **LOC (13) Cl.** ..... **14-02**

(52) **U.S. Cl.**  
USPC ..... **D18/53**

(58) **Field of Classification Search**  
USPC ..... D14/300, 301, 302, 303, 307, 308, 314,  
D14/321, 365, 445, 446; D18/4.1, 4.4,  
D18/4.6, 34.1, 6, 7, 14, 19, 34.3, 34.7,  
D18/34.8, 34.9, 36, 37, 38, 39, 46, 47,  
D18/48, 49, 50, 53, 54, 55, 56  
CPC .... H04N 1/00278; B26D 1/045; B26D 1/065;  
B41J 15/044; B41J 2/1752; B41J 29/02;  
G06F 3/02

See application file for complete search history.

(56) **References Cited**

**U.S. PATENT DOCUMENTS**

D379,196 S \* 5/1997 Laidlaw ..... D18/55  
D386,519 S \* 11/1997 Meschter ..... D18/55  
D439,276 S \* 3/2001 Kemmochi ..... D18/55  
D455,172 S \* 4/2002 Falk ..... D18/55  
D537,475 S \* 2/2007 Miller ..... D18/49  
D554,698 S \* 11/2007 Miller ..... D18/55  
D607,928 S \* 1/2010 Kim ..... D18/55  
D617,829 S \* 6/2010 Suzuki ..... D18/55  
D697,965 S \* 1/2014 Fukasawa ..... D18/55

D699,784 S \* 2/2014 Penke ..... D18/55  
D724,141 S \* 3/2015 Kim ..... D18/55  
D750,164 S \* 2/2016 So ..... D18/50  
D765,772 S \* 9/2016 Clark, III ..... D18/55

(Continued)

**FOREIGN PATENT DOCUMENTS**

JP 1179332 S 7/2003  
JP 1480868 S 9/2016

(Continued)

**OTHER PUBLICATIONS**

Used Xerox Phaser 3330\_DNI Monochrome Laser Printer 3330\_ pg.5 2018 DNI B&H.com 29751003 and 29750994—[https://www.bhphotovideo.com/c/used/1331457/reviews?gclid=EAlalQobChMI2ajx2cmJ9glVgblCh1augxDEAkYBiABEgKKyvD\\_BwE](https://www.bhphotovideo.com/c/used/1331457/reviews?gclid=EAlalQobChMI2ajx2cmJ9glVgblCh1augxDEAkYBiABEgKKyvD_BwE) (Year: 2018).\*

*Primary Examiner* — Jennifer L Rempfer  
*Assistant Examiner* — Danielle Nichole Bowly  
(74) *Attorney, Agent, or Firm* — McGinn I.P. Law Group, PLLC.

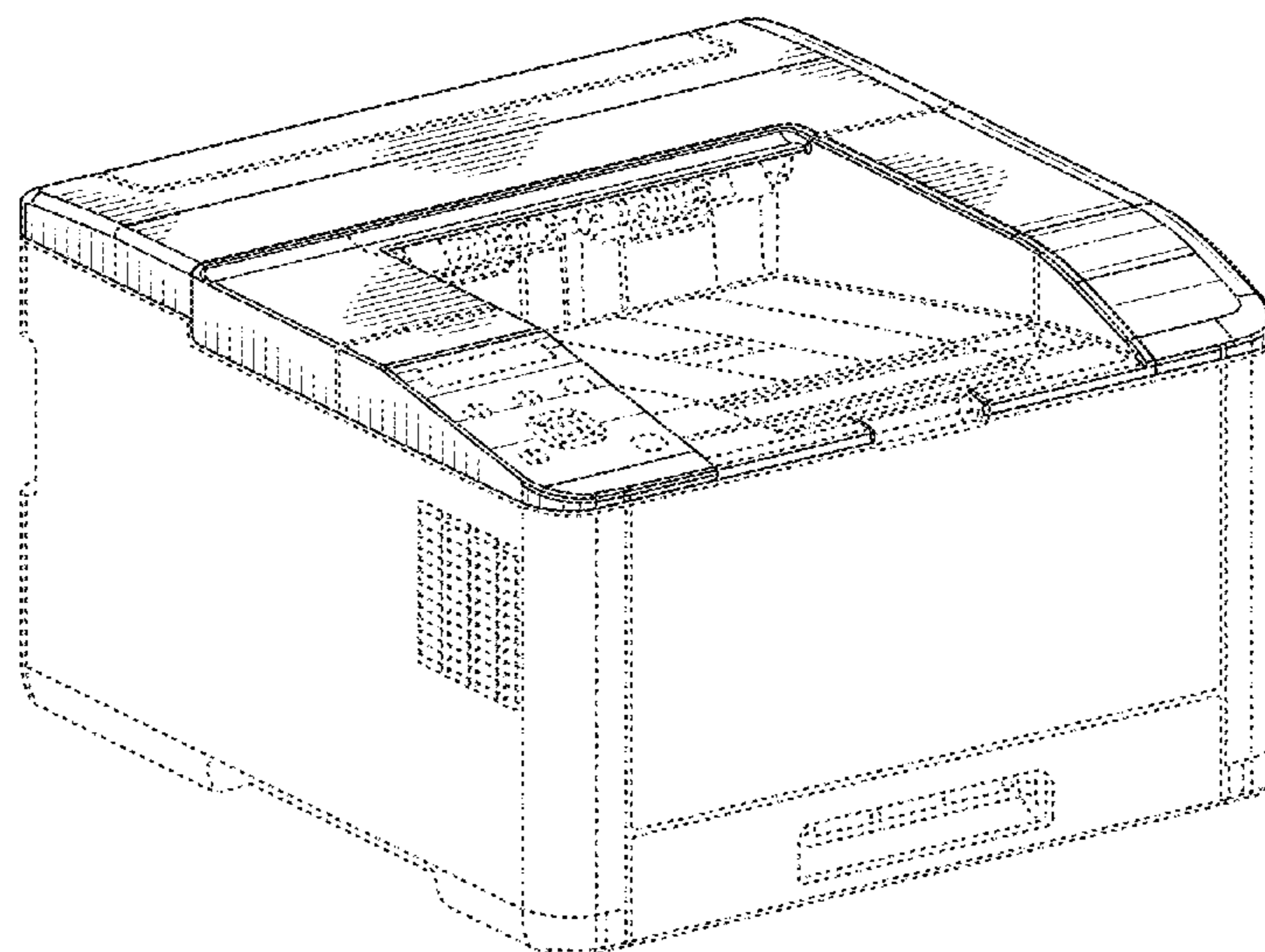
(57) **CLAIM**

The ornamental design for printer, as shown and described.

**DESCRIPTION**

FIG. 1 is a perspective view of a printer showing my new design;  
FIG. 2 is another perspective view of the printer;  
FIG. 3 is a front view of the printer;  
FIG. 4 is a rear view of the printer;  
FIG. 5 is a right side view of the printer;  
FIG. 6 is a left side view of the printer;  
FIG. 7 is a plan view of the printer; and,  
FIG. 8 is a bottom view of the printer.  
The broken lines in the drawings depict portions of the printer that form no part of the claimed design.

**1 Claim, 8 Drawing Sheets**



(56)

**References Cited**

U.S. PATENT DOCUMENTS

D786,971 S \* 5/2017 Mita ..... D18/56  
D792,923 S \* 7/2017 Kim ..... D18/55  
D886,823 S \* 6/2020 Peng ..... D18/50  
D893,599 S \* 8/2020 Richtsmeier ..... D18/50

FOREIGN PATENT DOCUMENTS

JP D1590722 \* 11/2017  
JP 1596909 S 2/2018

\* cited by examiner

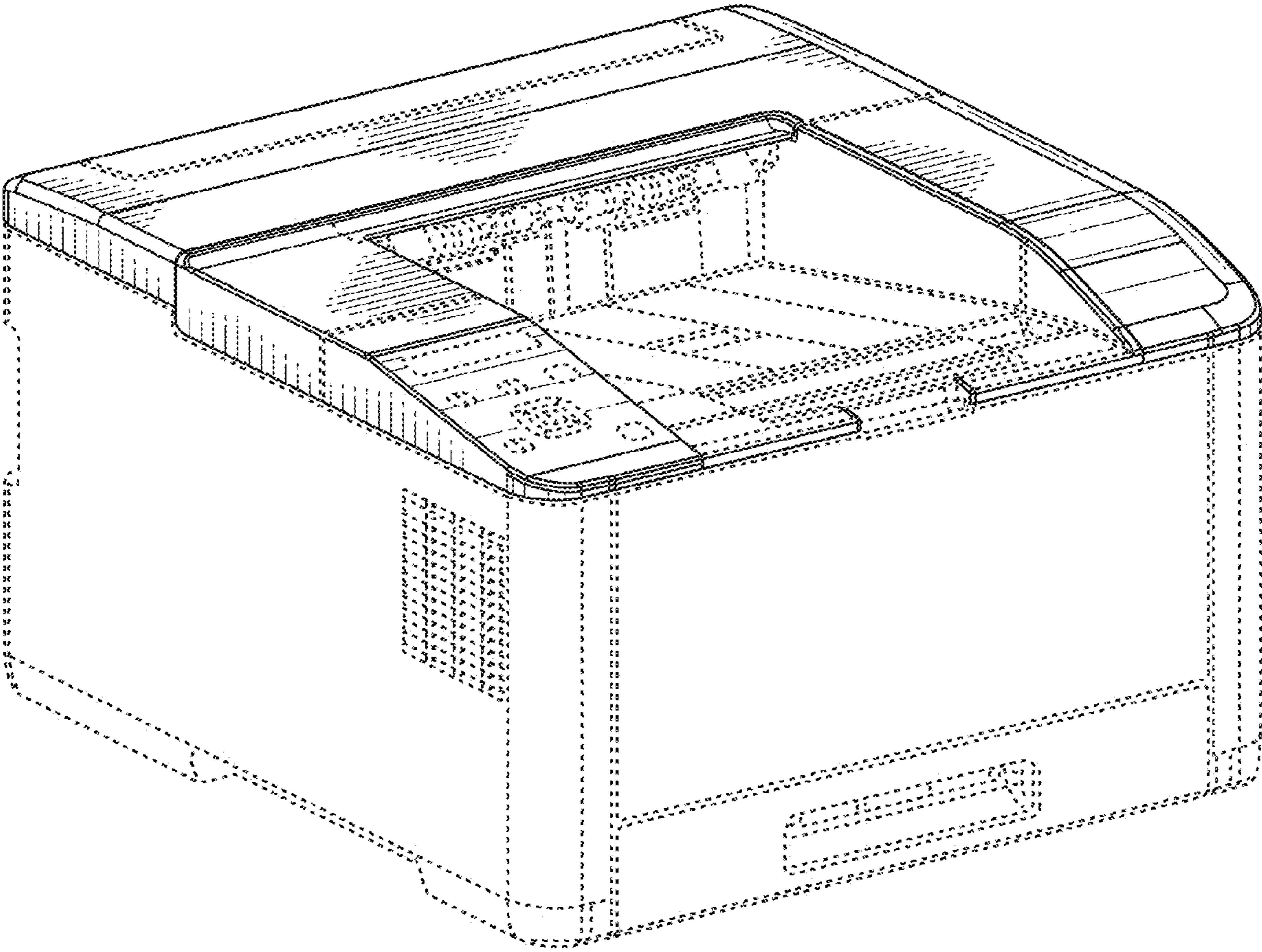


FIG. 1

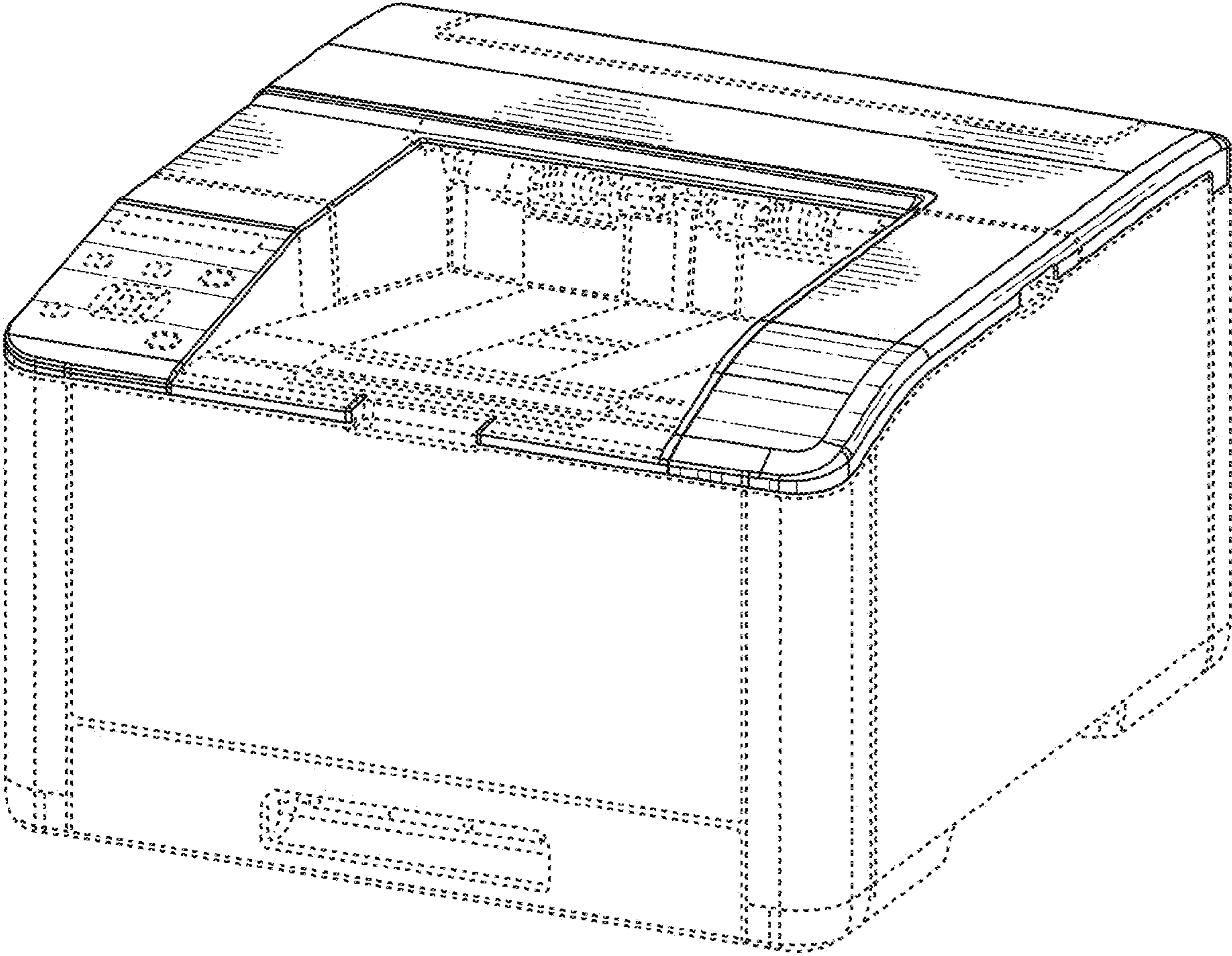


FIG. 2

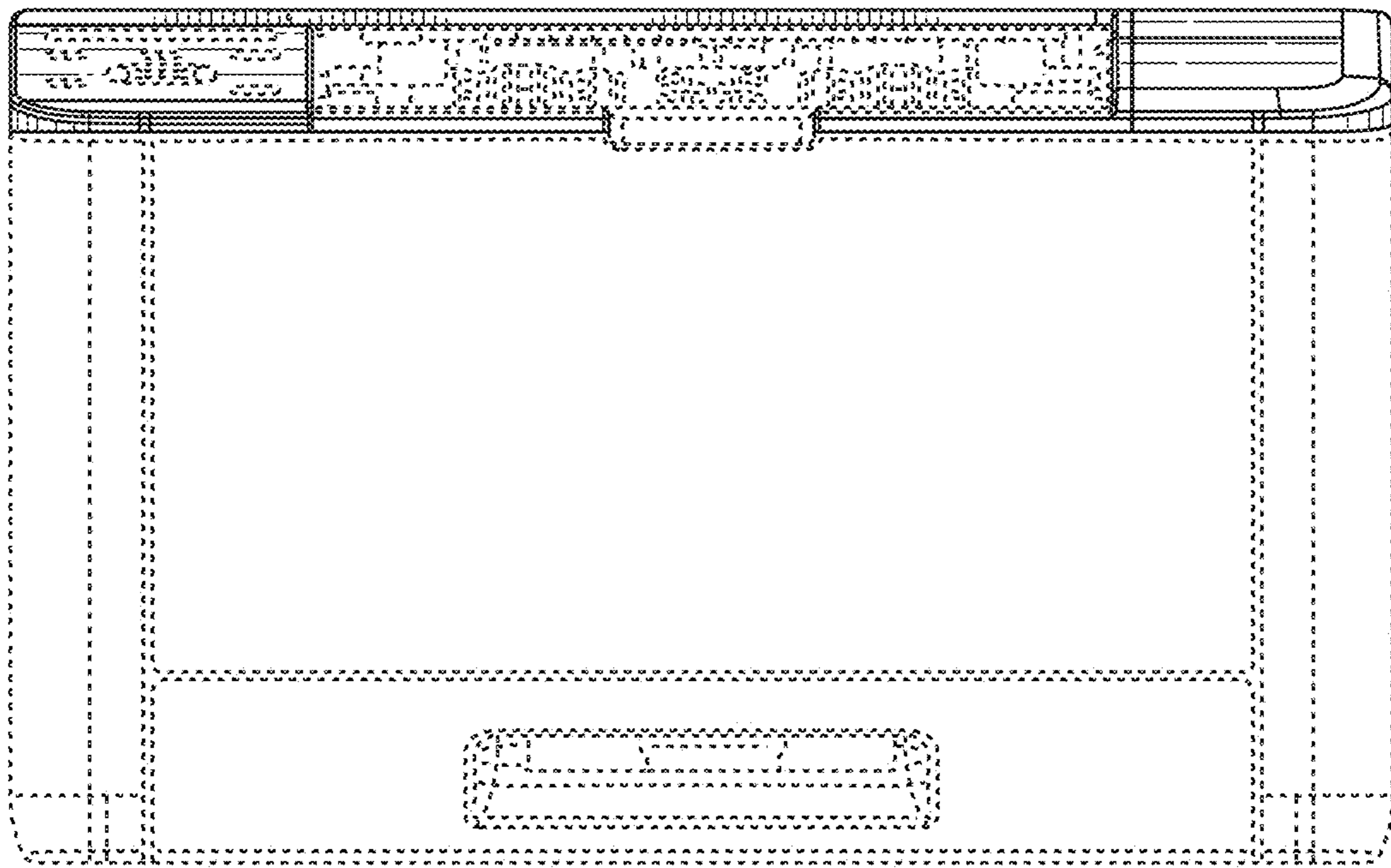


FIG. 3

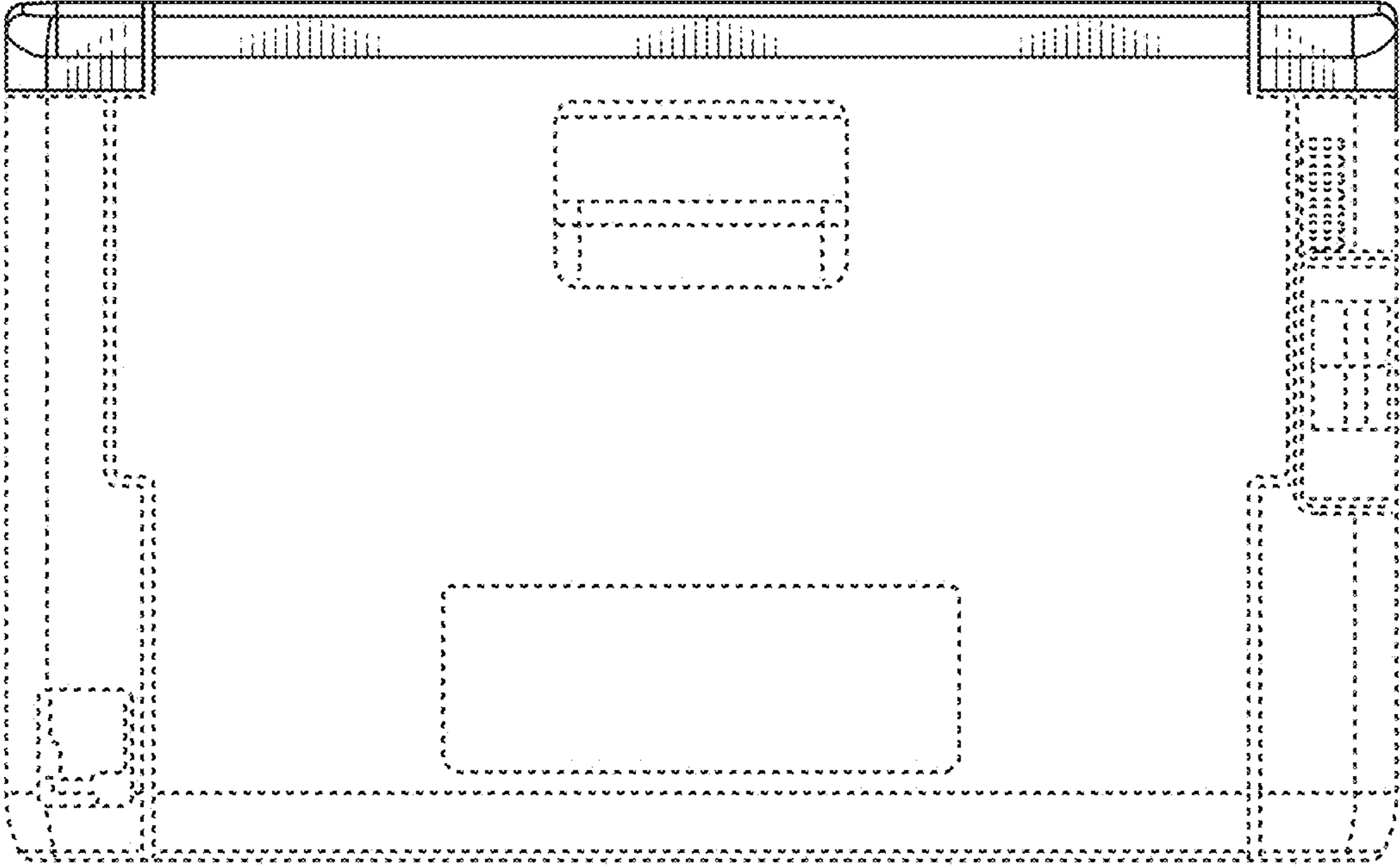


FIG. 4

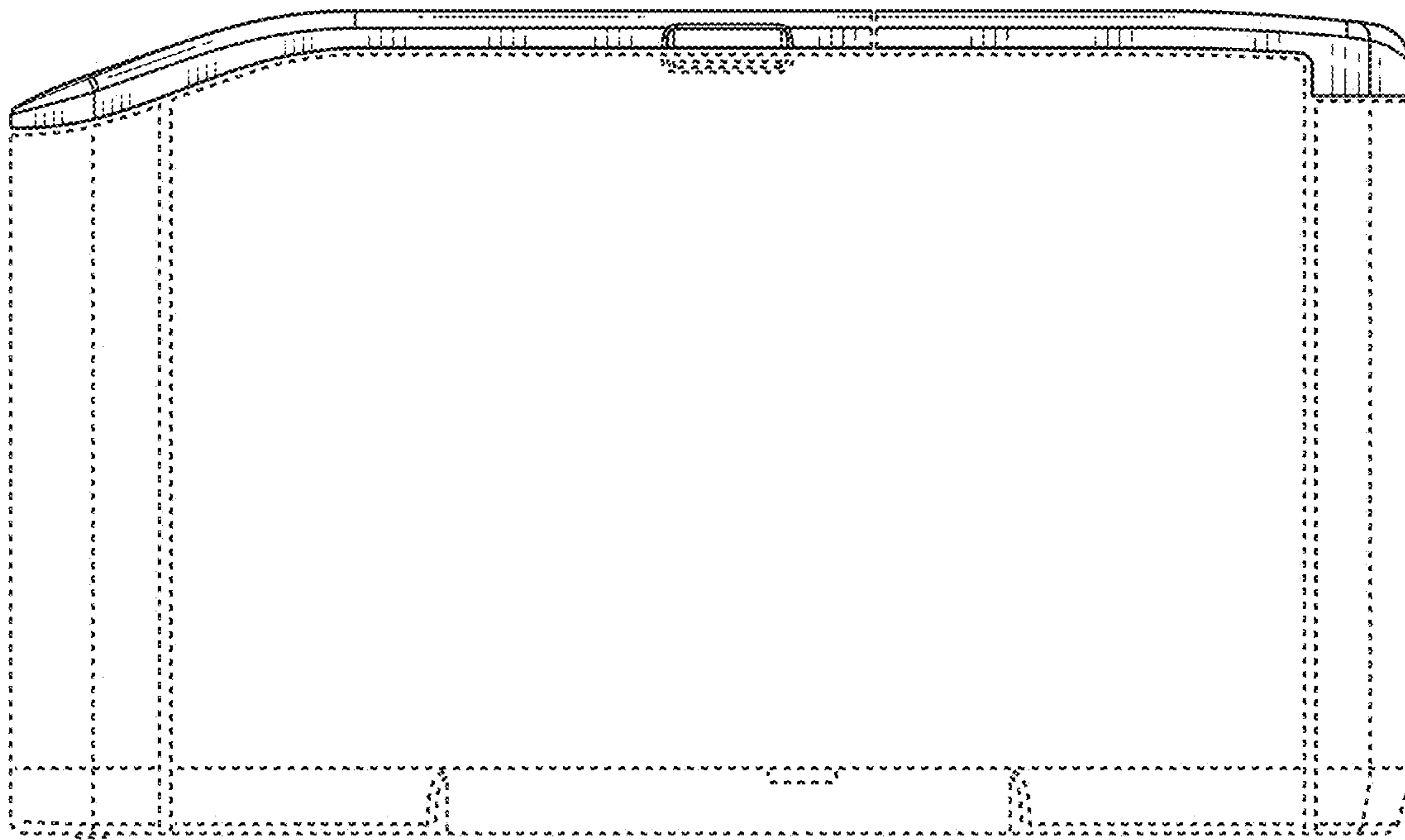


FIG. 5

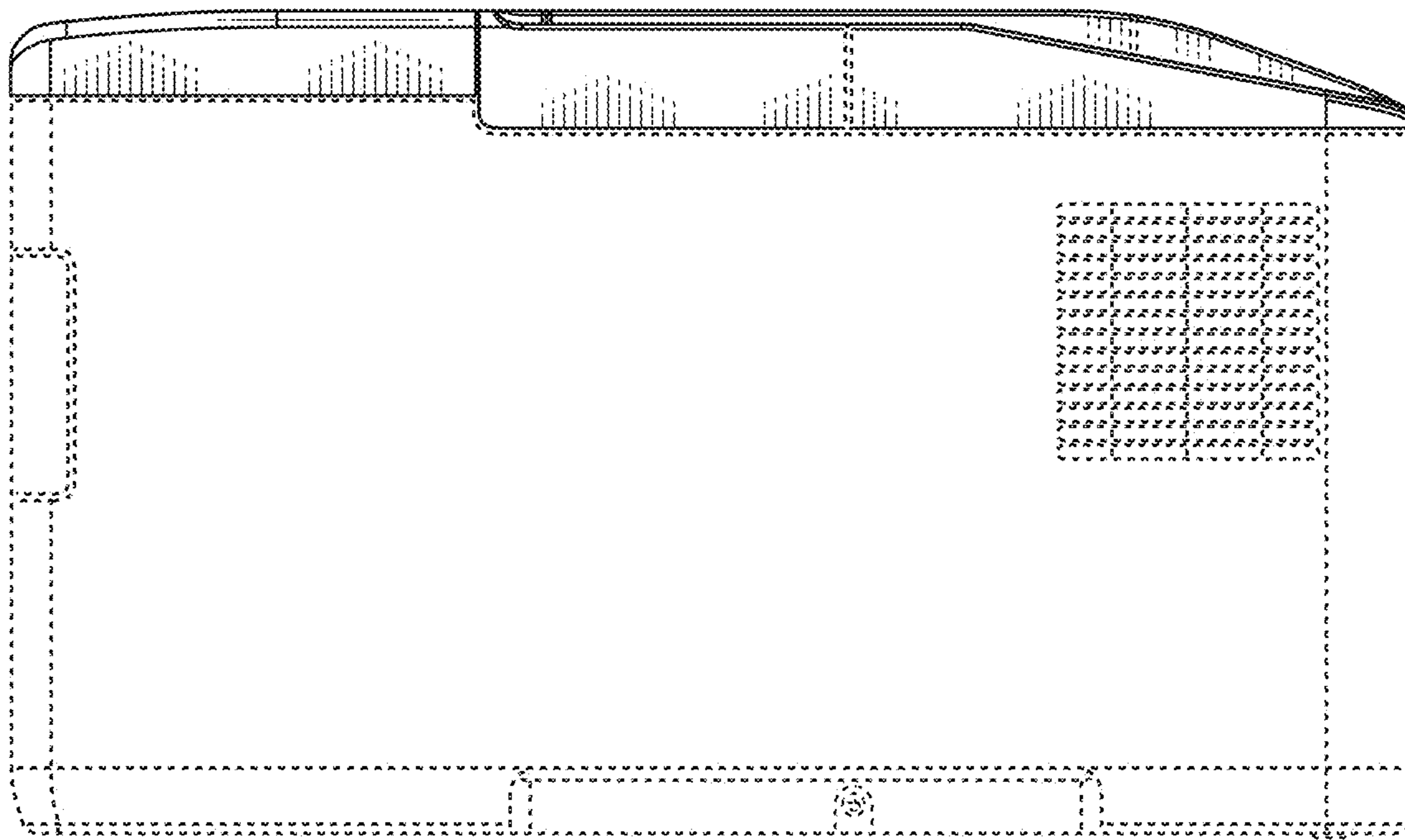


FIG. 6



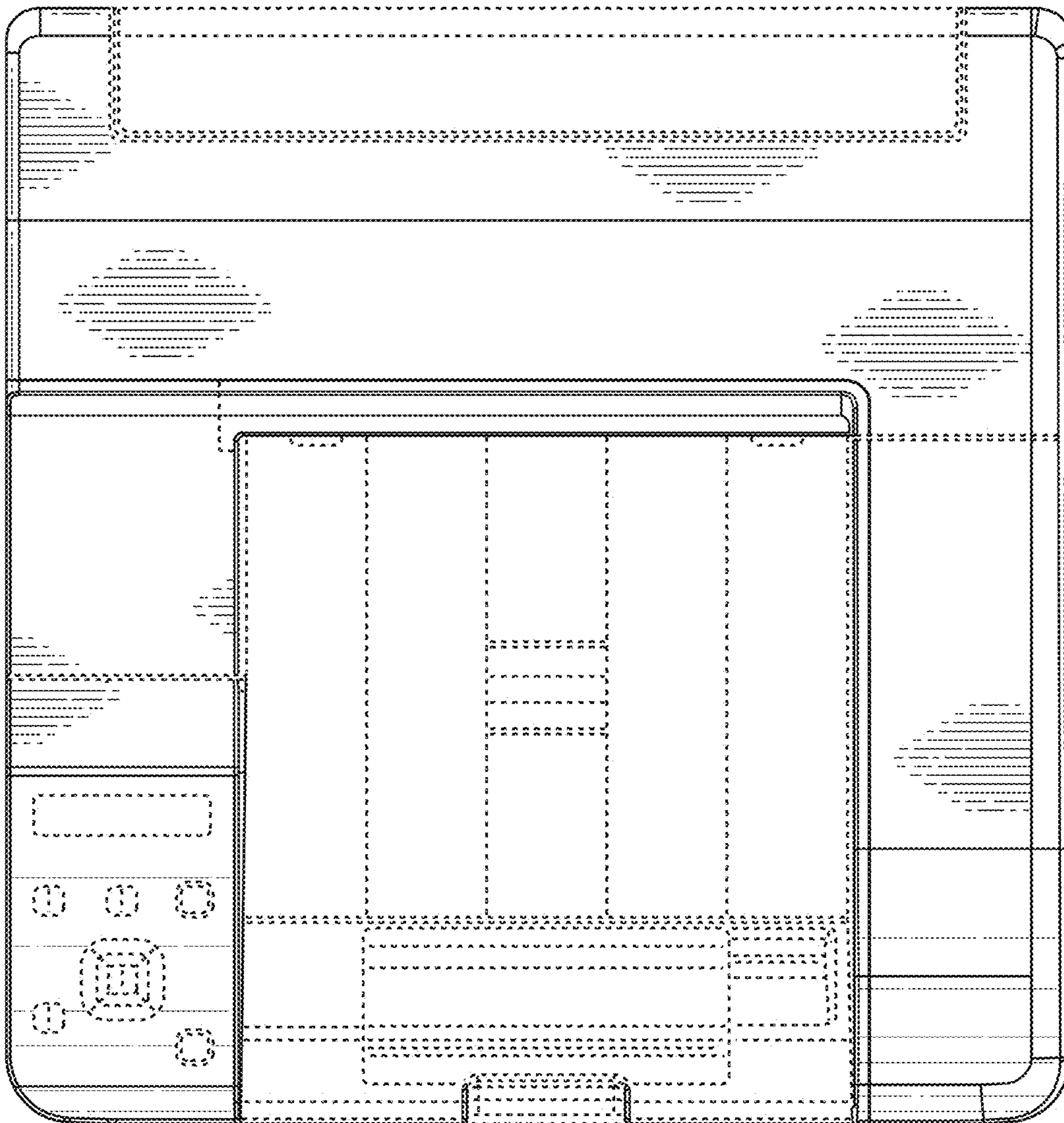


FIG. 7

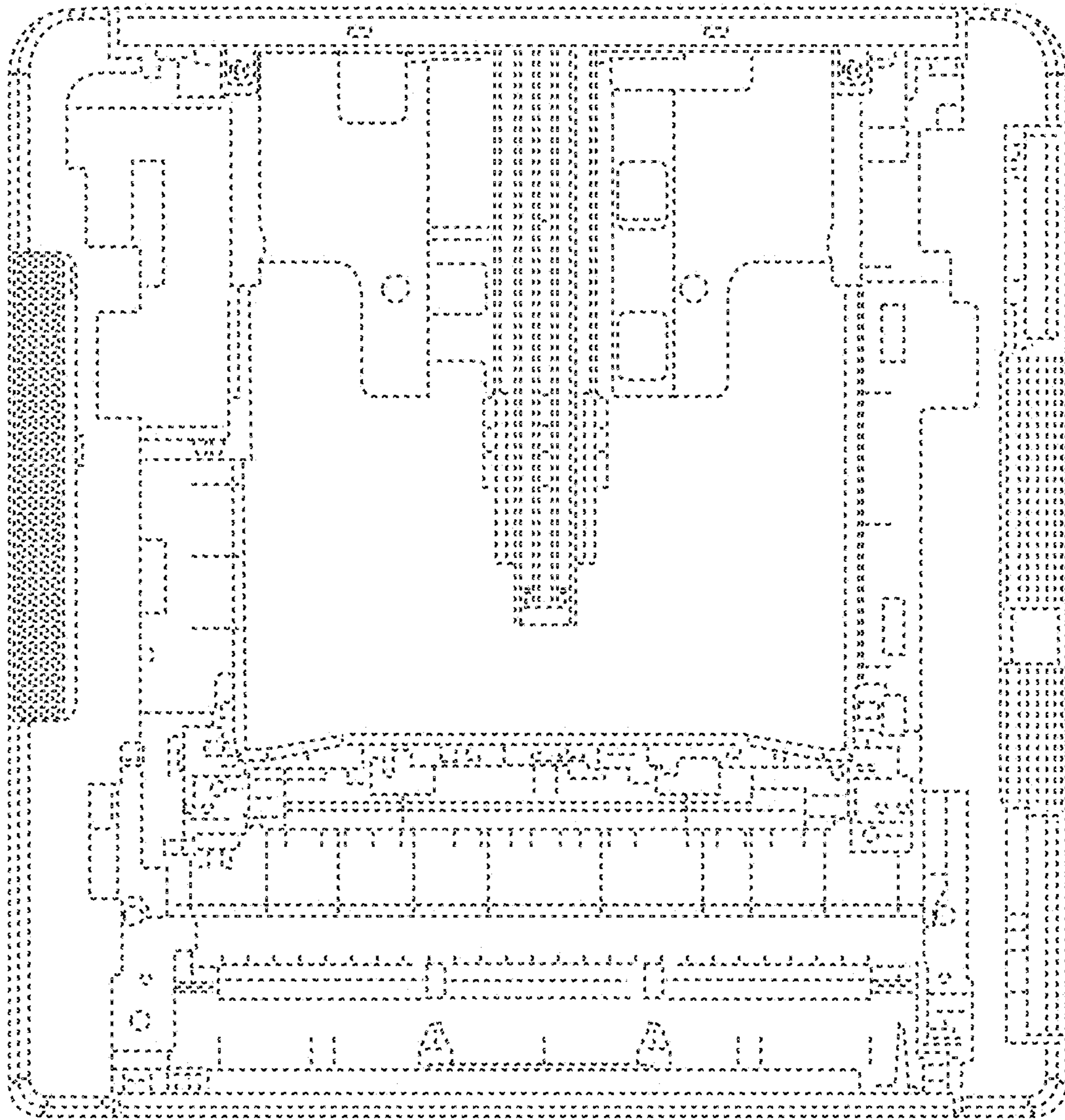


FIG. 8