



US00D970607S

(12) **United States Design Patent** (10) **Patent No.:** **US D970,607 S**
Ishio (45) **Date of Patent:** **** Nov. 22, 2022**

(54) **PRINTER**

(71) Applicant: **Toshiba Tec Kabushiki Kaisha**, Tokyo (JP)

(72) Inventor: **Hisaya Ishio**, Tokyo (JP)

(73) Assignee: **TOSHIBA TEC KABUSHIKI KAISHA**, Tokyo (JP)

(**) Term: **15 Years**

(21) Appl. No.: **29/729,467**

(22) Filed: **Mar. 26, 2020**

(30) **Foreign Application Priority Data**

Oct. 3, 2019 (JP) 2019-022264

(51) **LOC (13) Cl.** **14-02**

(52) **U.S. Cl.**
USPC **D18/53**

(58) **Field of Classification Search**
USPC D18/4.1, 4.4, 4.6, 37, 38, 39, 50, 53, 54,
D18/55, 59; D14/300, 301, 302, 307,
D14/308, 314, 321, 365; D6/514, 672,
D6/681.2, 691.9
CPC ... H04H 2201/0094; H04H 2201/0081; H04N
1/00278
See application file for complete search history.

(56) **References Cited**

U.S. PATENT DOCUMENTS

D432,160 S * 10/2000 Kabumoto D18/37
D523,072 S * 6/2006 Lee D18/14
D640,736 S * 6/2011 Kimura D18/50
D641,039 S * 7/2011 Kimura D18/55
D682,927 S * 5/2013 Azegami D18/50
D711,463 S * 8/2014 Costabeber D18/50
D763,330 S * 8/2016 Olive D15/122
D767,671 S * 9/2016 Endo D18/50

D770,545 S * 11/2016 Olive D15/122
D785,085 S * 4/2017 Lee D18/55
D786,341 S * 5/2017 Iwai D18/50

(Continued)

FOREIGN PATENT DOCUMENTS

JP D1569053 * 1/2017
JP D1597817 * 1/2018
JP D1607838 * 6/2018

OTHER PUBLICATIONS

Toshiba Tec launches new series of desktop printers, p. 1,
1.14.21_Labels & Labeling-29729467—<https://www.labelsandlabeling.com/news/new-products/toshiba-tec-launches-new-series-desktop-printers> (Year: 2021).*

(Continued)

Primary Examiner — Jennifer L Rempfer
Assistant Examiner — Danielle Nichole Bowly
(74) *Attorney, Agent, or Firm* — Foley & Lardner LLP

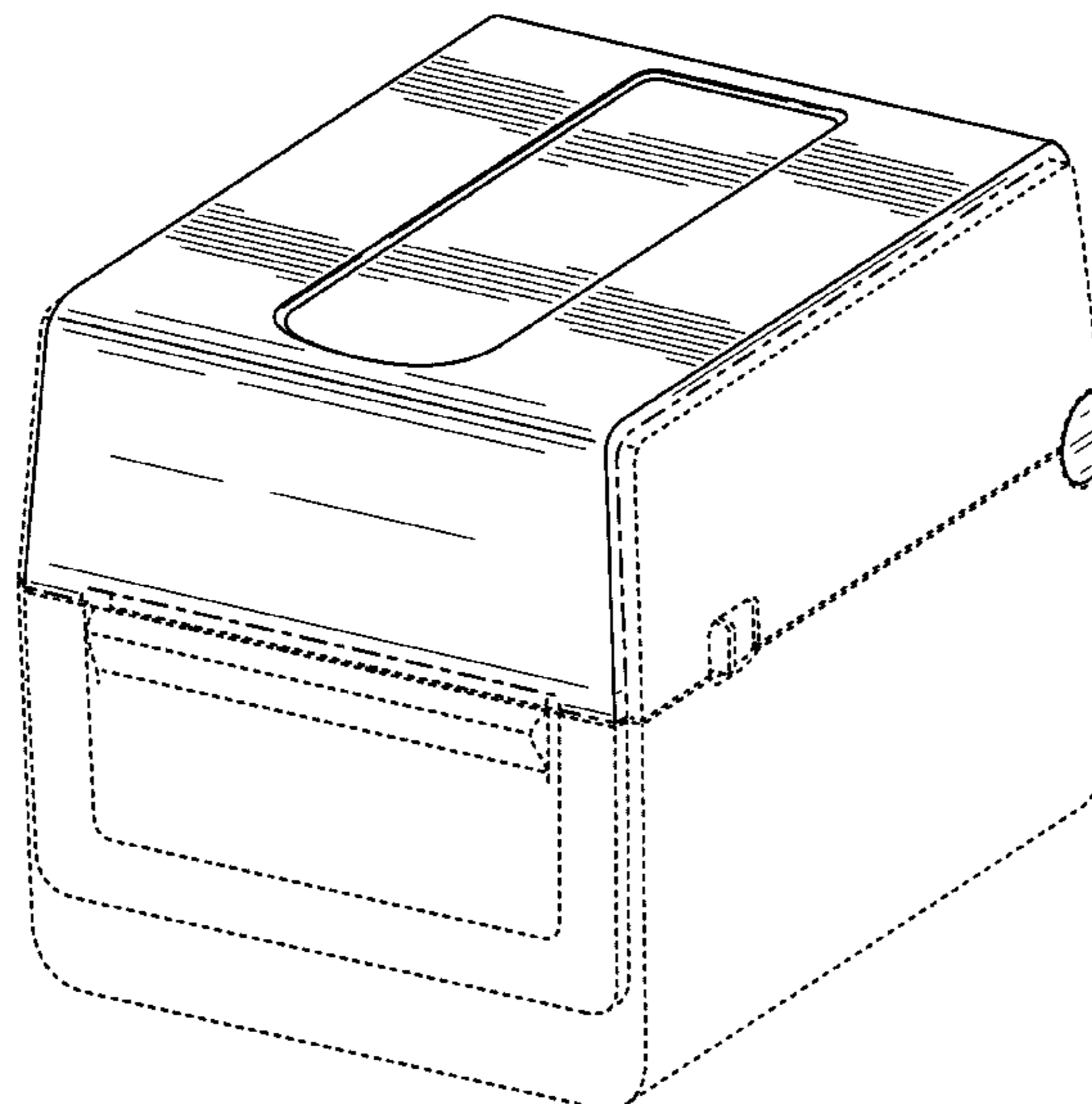
(57) **CLAIM**

I claim the ornamental design for a printer, as shown and described.

DESCRIPTION

FIG. 1 is a front perspective view of a printer showing my new design;
FIG. 2 is a front view of the printer of FIG. 1;
FIG. 3 is a rear view of the printer of FIG. 1;
FIG. 4 is a top view of the printer of FIG. 1;
FIG. 5 is a bottom view of the printer of FIG. 1;
FIG. 6 is a right side view of the printer of FIG. 1; and,
FIG. 7 is a left side view of the printer of FIG. 1.
The broken lines shown in the drawings represent portions of the printer that form no part of the claimed design. Broken lines formed of unequal length dashes (i.e., dash-dot) show the boundaries of the claimed portions of the printer and these lines also form no part of the claimed design.

1 Claim, 7 Drawing Sheets



(56)

References Cited

U.S. PATENT DOCUMENTS

D788,843 S * 6/2017 Lee D18/55
D826,296 S * 8/2018 Noorazar D15/122
D892,919 S * 8/2020 Nakatani D18/19

OTHER PUBLICATIONS

Toshiba BV410D BV420D Label Printer, p. 1, 1.19.2021-29729467—
<https://www.youtube.com/watch?v=4YtFVccadyU> (Year: 2021).*

* cited by examiner

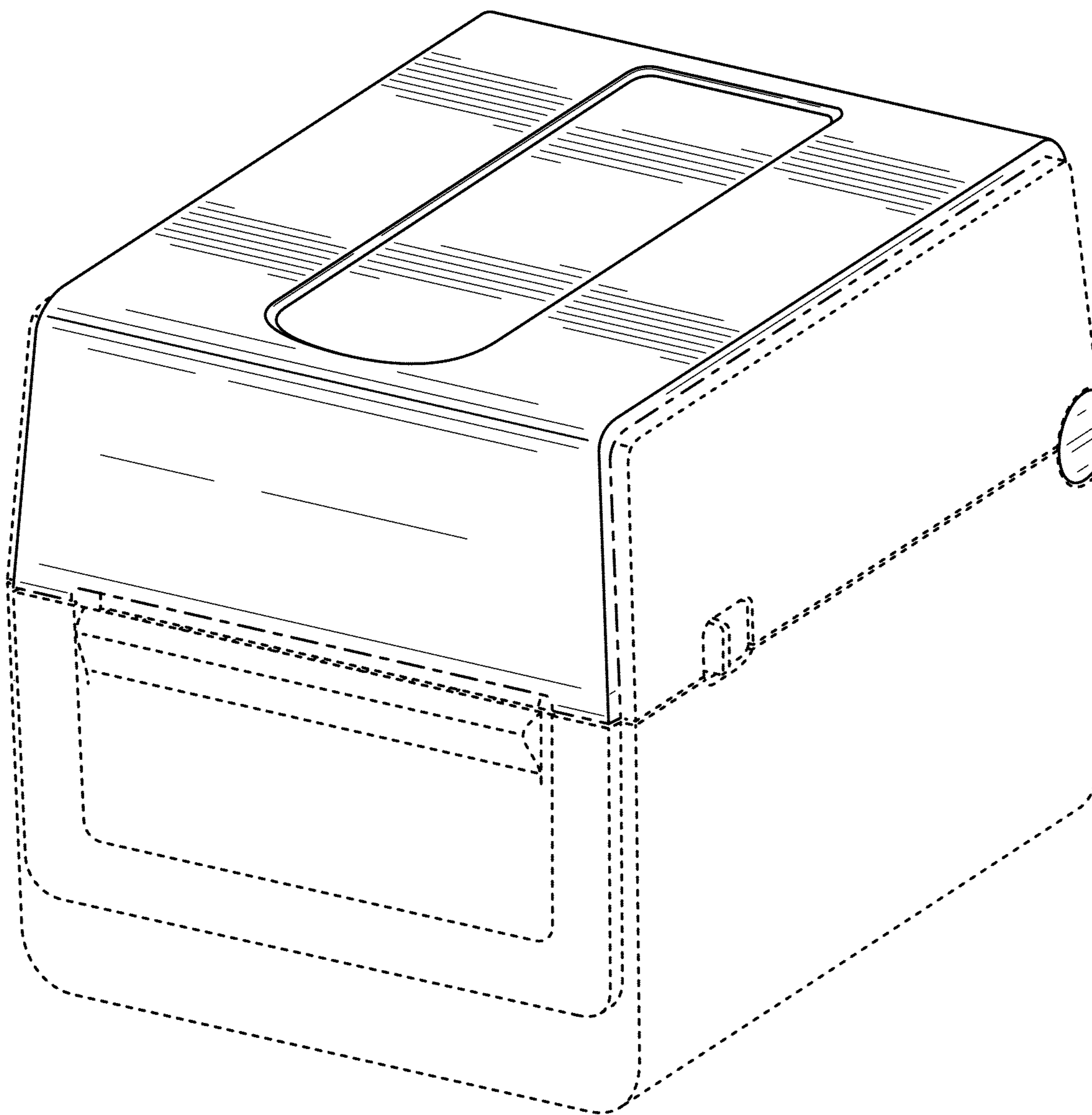


FIG. 1

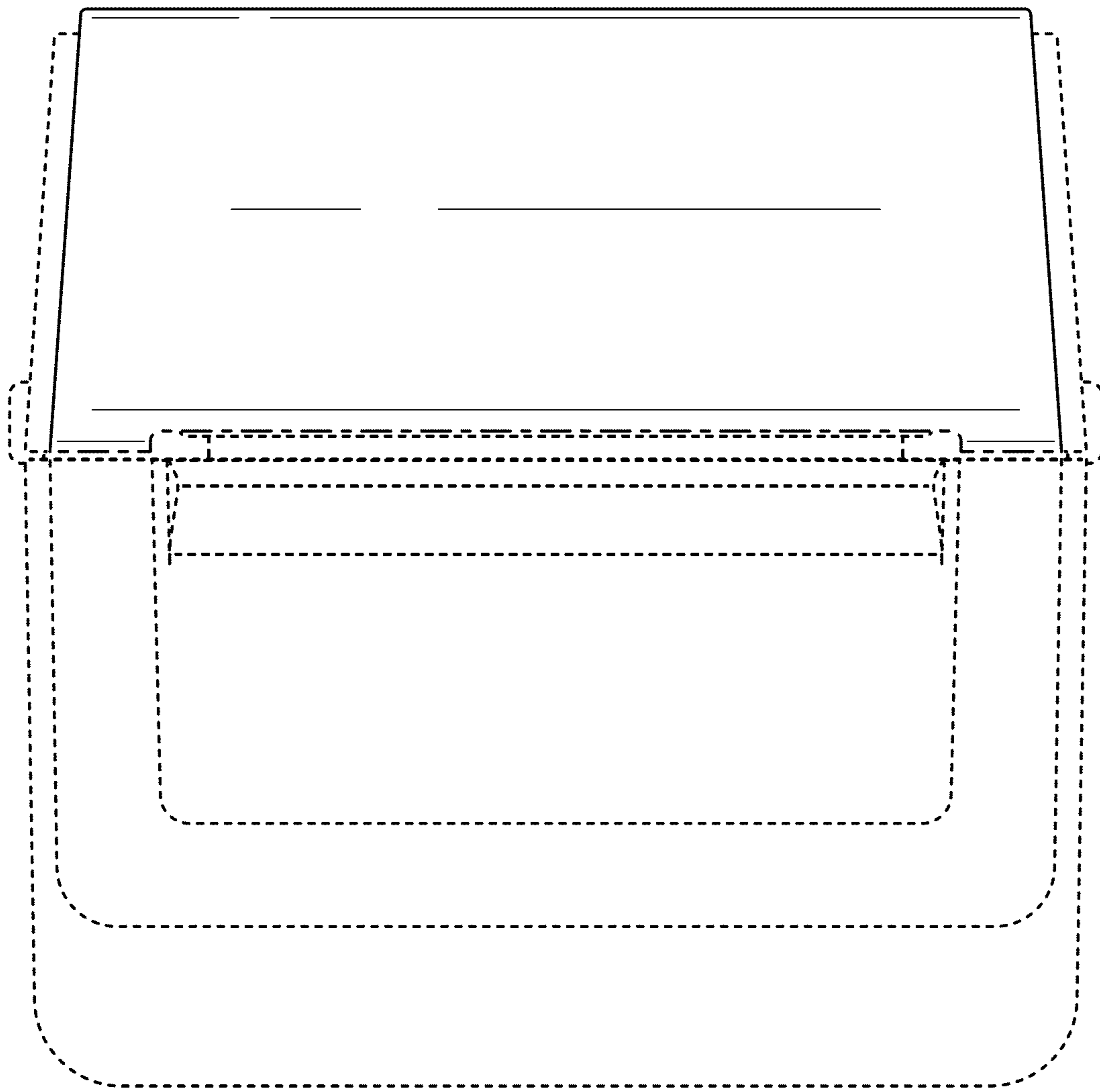


FIG. 2

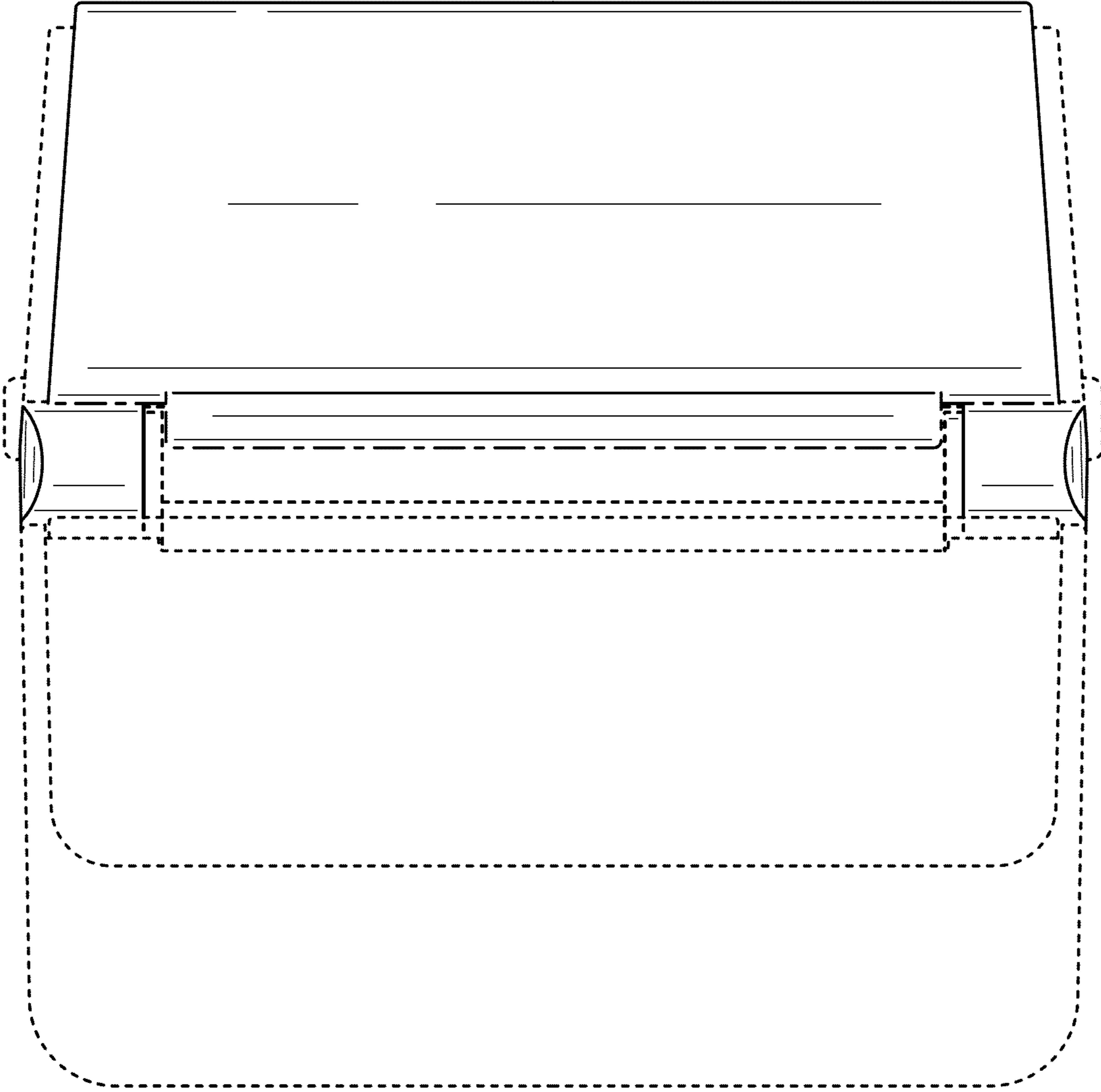


FIG. 3

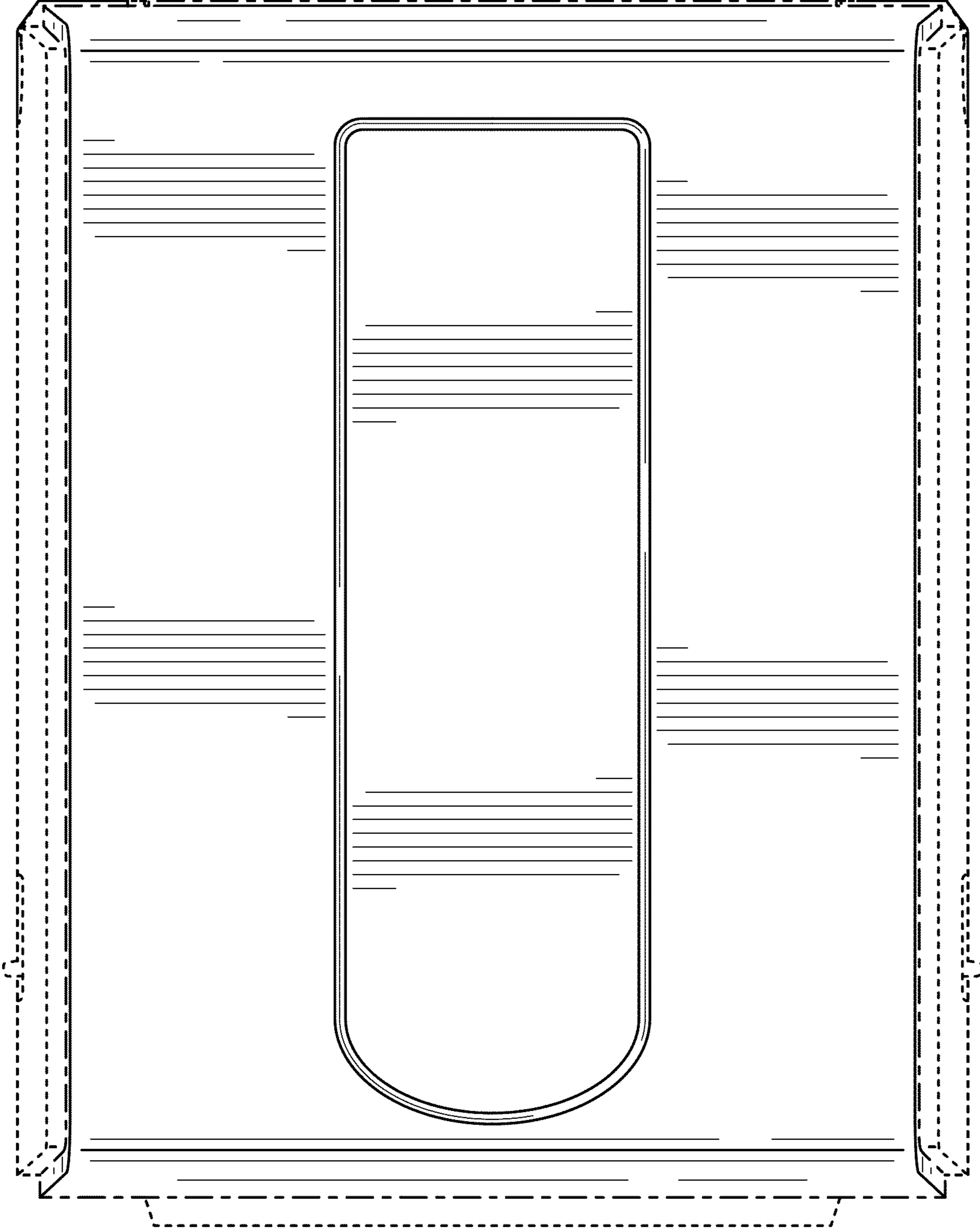


FIG. 4

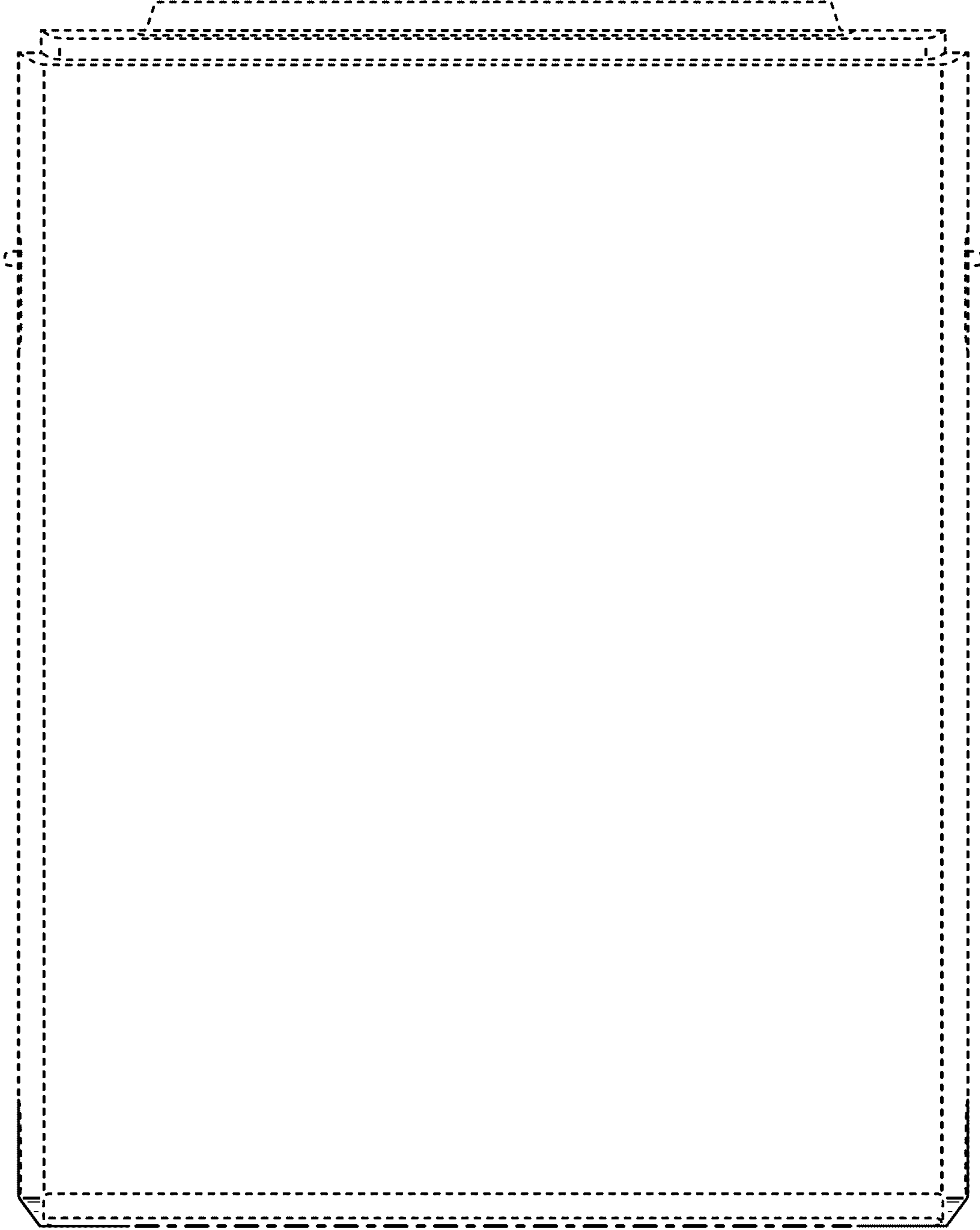


FIG. 5

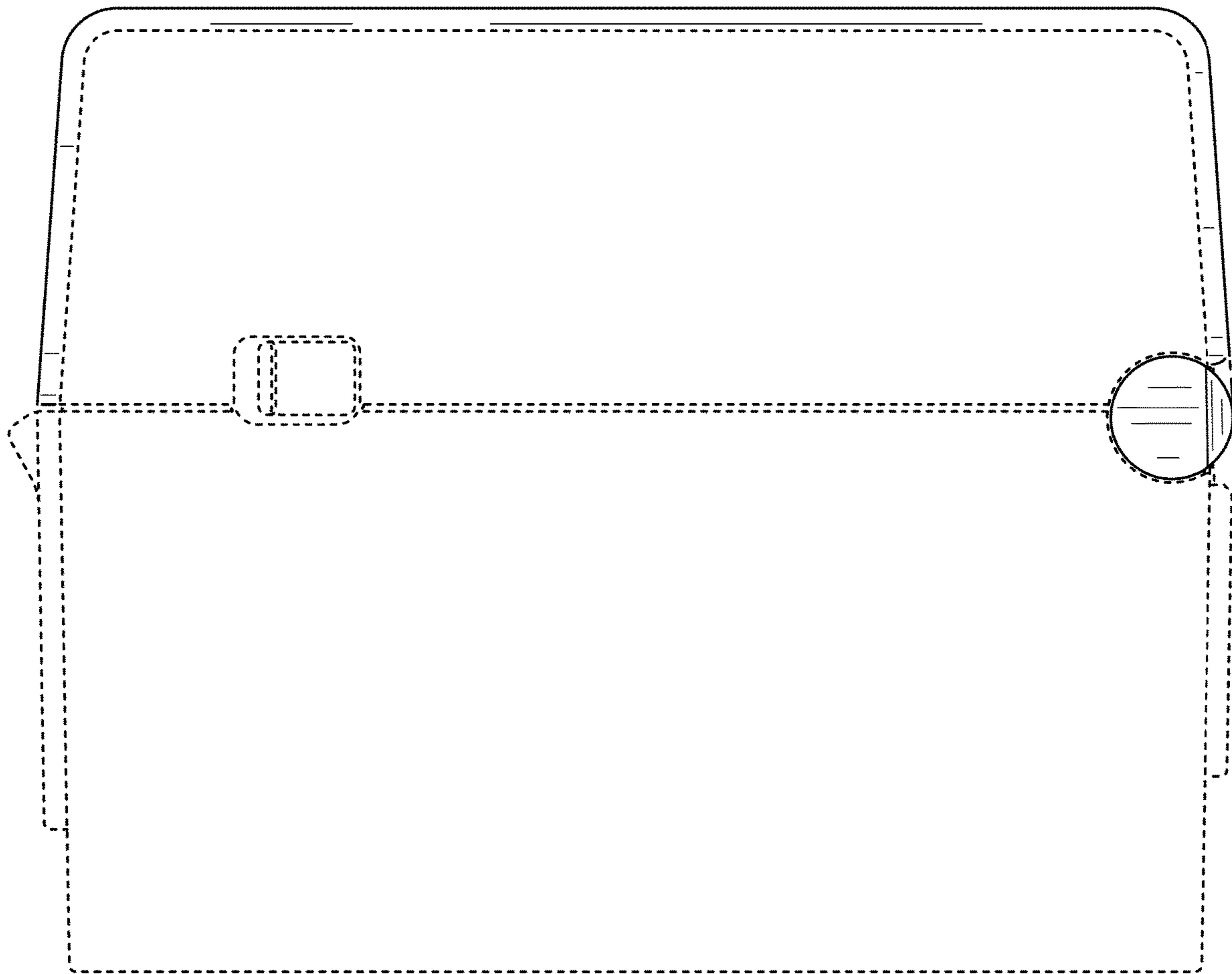


FIG. 6

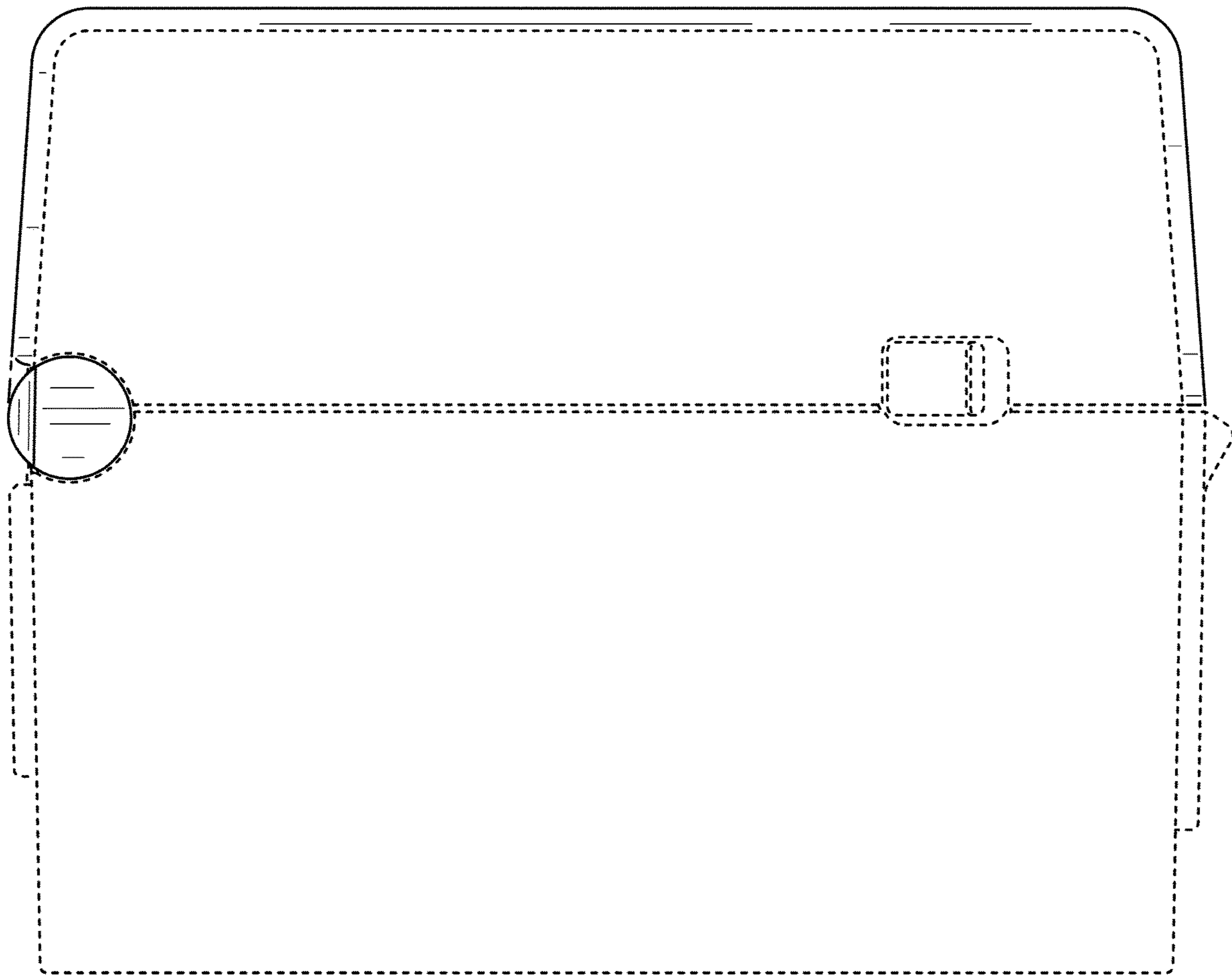


FIG. 7