



US00D970606S

(12) **United States Design Patent** (10) **Patent No.:** **US D970,606 S**
Tashima (45) **Date of Patent:** **** Nov. 22, 2022**

(54) **PRINTER**

(71) Applicant: **BROTHER INDUSTRIES, LTD.**,
Nagoya (JP)

(72) Inventor: **Kazuhisa Tashima**, Nagoya (JP)

(73) Assignee: **BROTHER INDUSTRIES, LTD.**,
Nagoya (JP)

(**) Term: **15 Years**

(21) Appl. No.: **29/734,814**

(22) Filed: **May 15, 2020**

(30) **Foreign Application Priority Data**

Nov. 29, 2019 (JP) 2019-026544

(51) **LOC (13) Cl.** **14-02**

(52) **U.S. Cl.**
USPC **D18/50**

(58) **Field of Classification Search**
USPC D18/4.1, 4.4, 4.6, 37, 38, 39, 50, 53, 54,
D18/55, 59; D14/300, 301, 302, 307,
D14/308, 314, 321, 365; D6/514, 672,
D6/681.2, 691.9
CPC ... H04H 2201/0094; H04H 2201/0081; H04N
1/00278

See application file for complete search history.

(56) **References Cited**

U.S. PATENT DOCUMENTS

- D231,539 S * 4/1974 MacConkey D18/50
- 4,929,099 A * 5/1990 Graham B41J 2/5056
400/322
- 4,956,665 A * 9/1990 Niles G03B 27/50
355/1
- D330,721 S * 11/1992 Yoshihara D18/50
- D335,300 S * 5/1993 Ishii D18/50
- D362,673 S * 9/1995 Yamamoto D18/19

- D579,013 S * 10/2008 Kobeli D14/300
- D641,394 S * 7/2011 Inada D18/50
- D694,319 S * 11/2013 Nakagawa D18/50
- D717,794 S * 11/2014 Koberling D14/349
- D741,850 S * 10/2015 Cheng D14/308
- D777,228 S * 1/2017 Chang D15/122
- D777,808 S * 1/2017 Chang D15/122
- D786,341 S * 5/2017 Iwai D18/50
- D838,717 S * 1/2019 Quijano D14/349
- D892,919 S * 8/2020 Nakatani D18/19

(Continued)

FOREIGN PATENT DOCUMENTS

EM 007826227-001 * 4/2020

OTHER PUBLICATIONS

Brother Titan Barcode Printer, no date_ Barcode Giant—<https://www.barcodegiant.com/brother/part-tj4021tn.htm?aw&adtype=pla>
(Year: 2021).*

(Continued)

Primary Examiner — Jennifer L Rempfer
Assistant Examiner — Danielle Nichole Bowly
(74) *Attorney, Agent, or Firm* — Oliff PLC

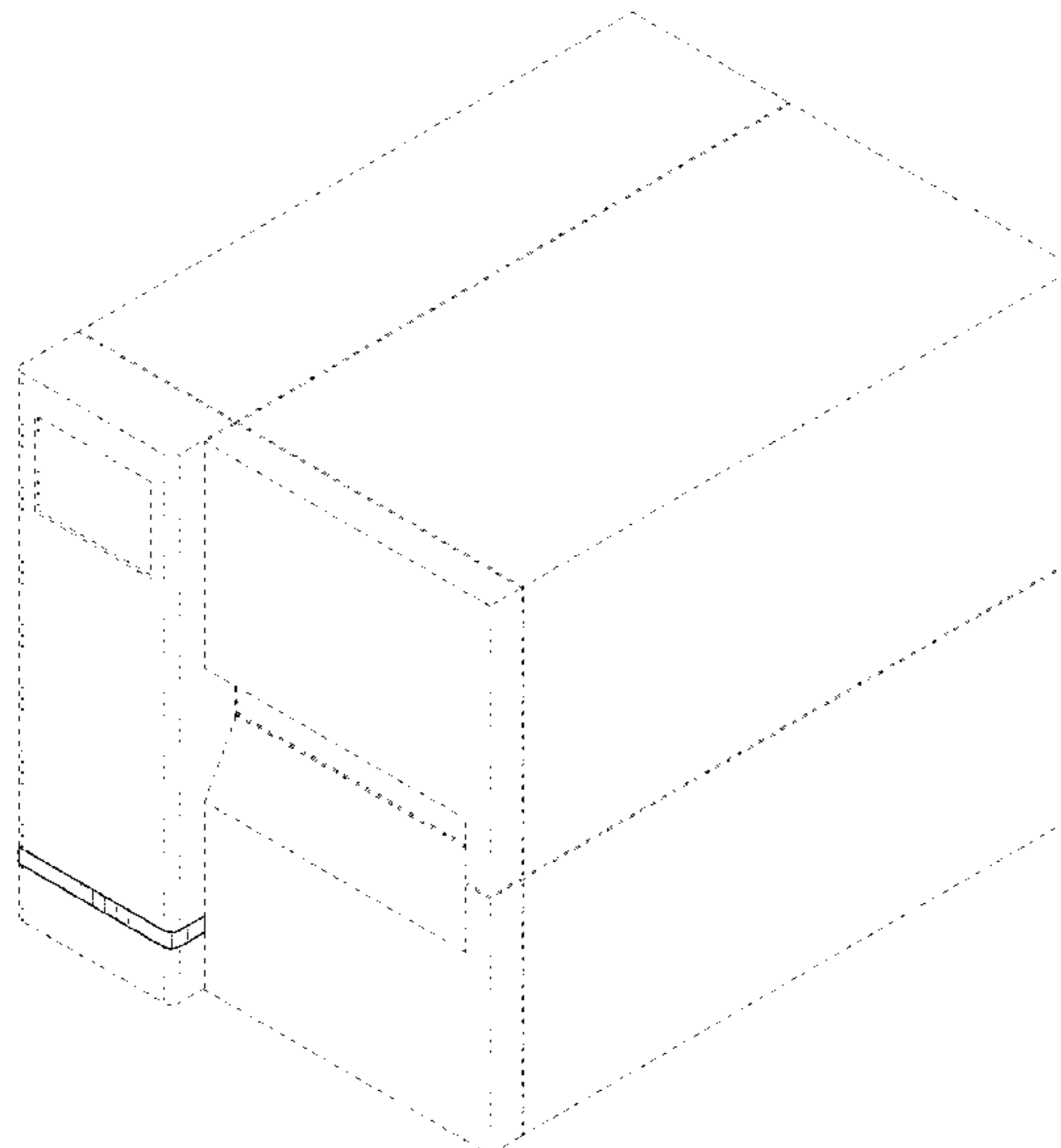
(57) **CLAIM**

The ornamental design for a printer, as shown and described.

DESCRIPTION

FIG. 1 is a perspective view of the printer;
FIG. 2 is a front elevational view thereof;
FIG. 3 is a top plan view thereof;
FIG. 4 is a left-side elevational view thereof;
FIG. 5 is a right-side elevational view thereof;
FIG. 6 is a rear elevational view thereof; and,
FIG. 7 is a bottom plan view thereof.
The evenly spaced broken lines depict unclaimed parts of
the printer and form no part of the claimed design.

1 Claim, 7 Drawing Sheets



(56)

References Cited

U.S. PATENT DOCUMENTS

D903,665 S * 12/2020 Yoon D14/349

OTHER PUBLICATIONS

Amazon.com_Brother P-Touch PT-P900W-pg.8-2016-amazon.com-
[* cited by examiner](https://www.amazon.com/Brother-P-touch-PT-P900W-Thermal-Transfer/dp/B01INVSQ7G/ref=asc_df_B01INVSQ7G/?tag=hyprod20&linkCode=df0&hvadid=459646709164&hvpos=&hvnetw=g&hvrnd=5457638884845896815&hvpone=&hvptwo=&hvqmt=&hvdev=c&hvdvcmdl=&hvlocint=&hv (Year: 2016).*</p></div><div data-bbox=)

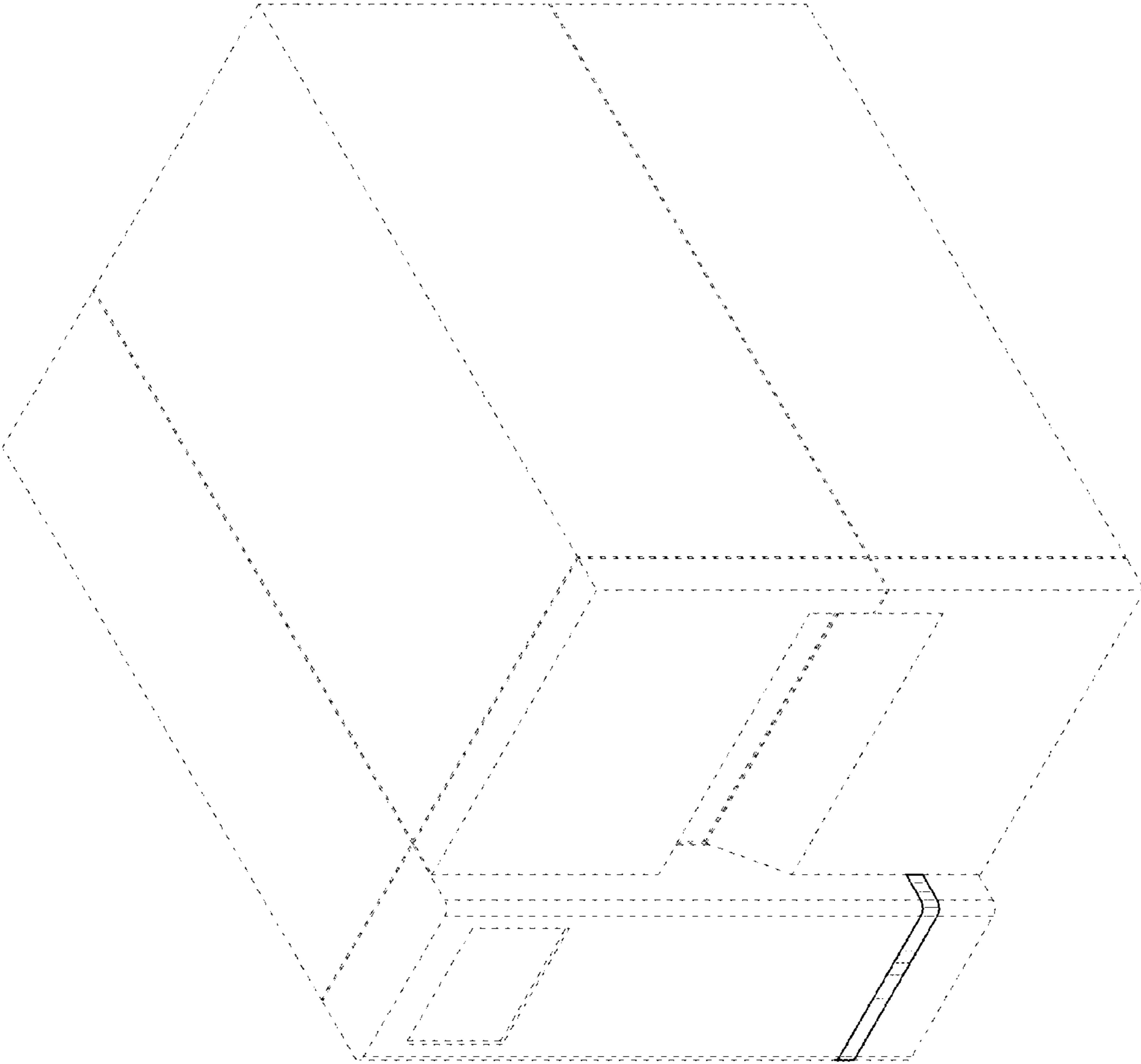


FIG. 1

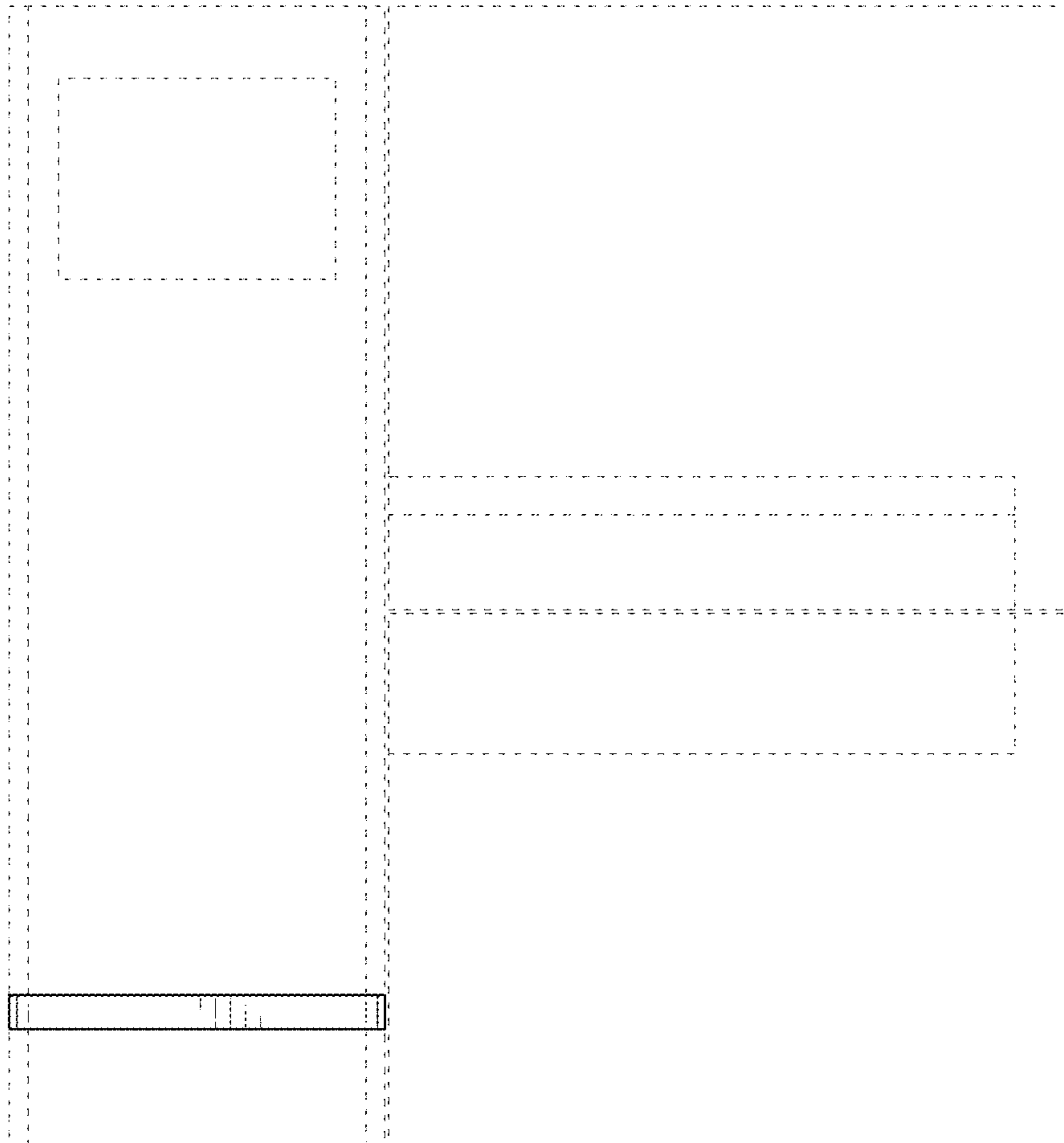


FIG. 2



FIG. 3

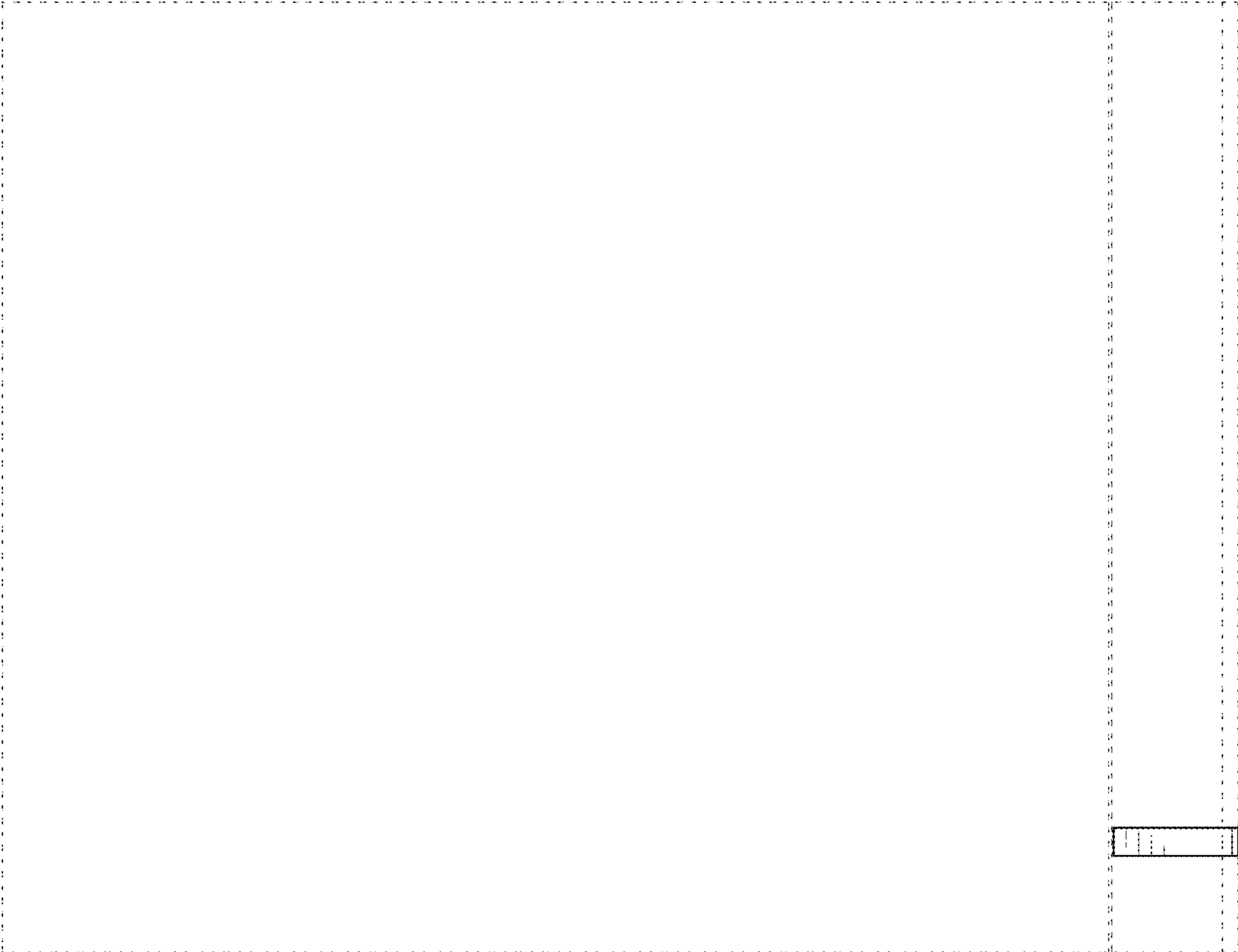


FIG. 4

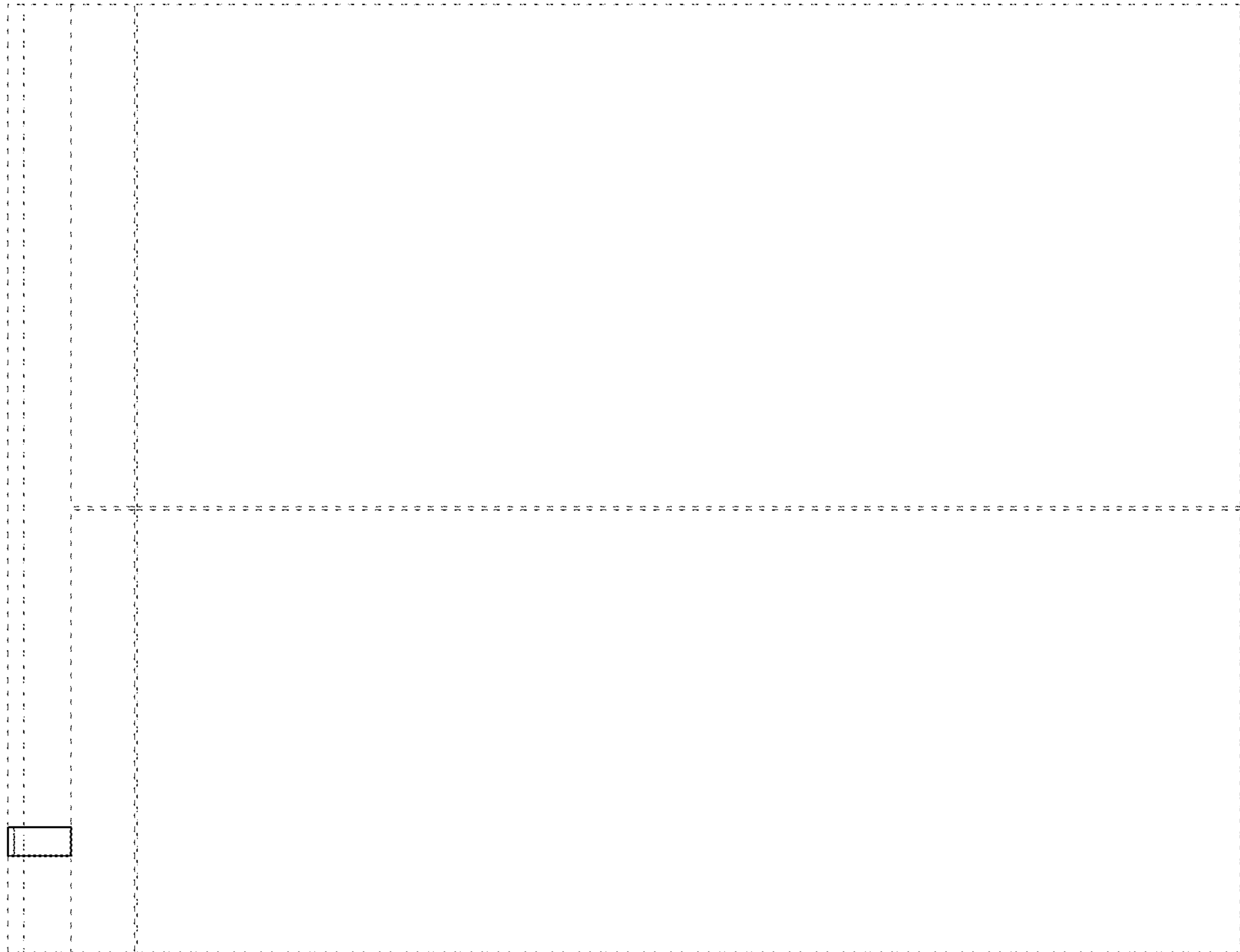


FIG. 5

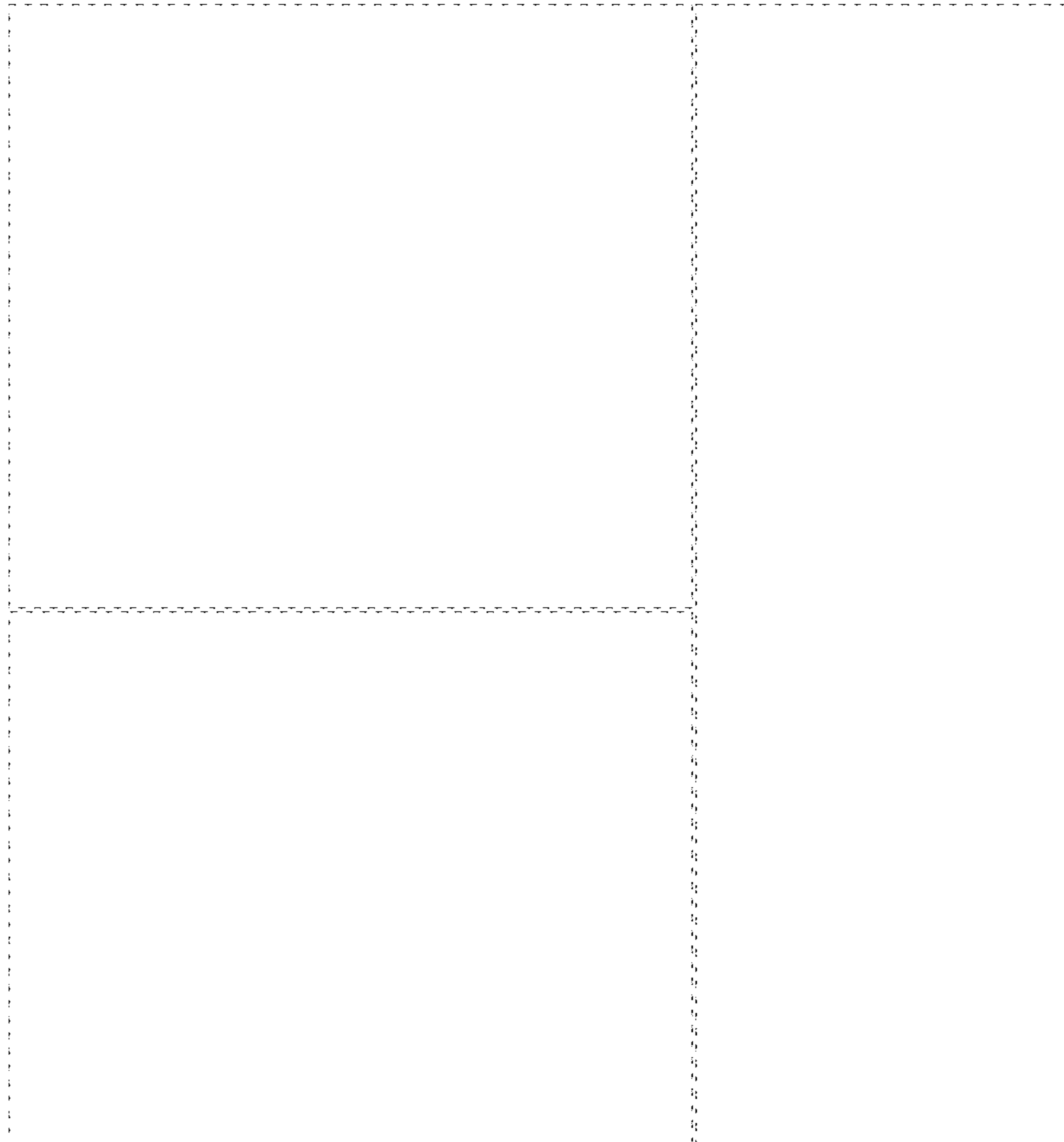


FIG. 6



FIG. 7