



US00D970605S

(12) **United States Design Patent** (10) **Patent No.:** **US D970,605 S**
Kurata et al. (45) **Date of Patent:** **** Nov. 22, 2022**

(54) **PRINTER**

FOREIGN PATENT DOCUMENTS

(71) Applicant: **RICOH COMPANY, LTD.**, Tokyo (JP)

JP D1661227 * 11/2019

(72) Inventors: **Makoto Kurata**, Ohta-ku (JP); **Naoto Tsuruoka**, Ohta-ku (JP)

OTHER PUBLICATIONS

(73) Assignee: **RICOH COMPANY, LTD.**, Tokyo (JP)

IM C300F Color Laser Multifunction Printer—p. 1, no date_ Ricoh USA—https://www.ricoh-usa.com/en/products/pd/equipment/printers-and-copiers/multifunction-printers-copiers/im-c300f-color-laser-multifunction-printer/_/R-418569 (Year: 2021).*

(**) Term: **15 Years**

(Continued)

(21) Appl. No.: **29/726,484**

(22) Filed: **Mar. 3, 2020**

Primary Examiner — Jennifer L Rempfer
Assistant Examiner — Danielle Nichole Bowly
(74) *Attorney, Agent, or Firm* — Xsensus LLP

(30) **Foreign Application Priority Data**

Nov. 20, 2019 (JP) 2019-025735

(51) **LOC (13) Cl.** **14-02**

(52) **U.S. Cl.**
USPC **D18/50**

(58) **Field of Classification Search**
USPC D18/4.1, 4.4, 4.6, 37, 38, 39, 50, 53, 54,
D18/55, 59; D14/300, 301, 302, 307,
D14/308, 314, 321, 365, 445, 446;
D6/514, 672, 681.2, 691.9
CPC ... H04H 2201/0094; H04H 2201/0081; H04N
1/00278
See application file for complete search history.

(57) **CLAIM**

The ornamental design for a printer, as shown and described.

DESCRIPTION

FIG. 1 is a front, top, and left side perspective view of a printer;
FIG. 2 is a front, top, and right side perspective view thereof;
FIG. 3 is a front elevational view thereof;
FIG. 4 is a rear elevational view thereof;
FIG. 5 is a top plan view thereof;
FIG. 6 is a bottom plan view thereof;
FIG. 7 is a right side elevational view thereof;
FIG. 8 is a left side elevational view thereof;
FIG. 9 is a front, top, and left side perspective view thereof with the monitor in an alternate position;
FIG. 10 is a front elevational view thereof with the monitor in the alternate position;
FIG. 11 is a right side elevational view thereof in the use condition with the monitor in the alternate position; and,
FIG. 12 is a left side elevational view thereof in the use condition with the monitor in the alternate position.
The broken lines shown in the figures illustrate portions of the printer that are not part of the claimed design.

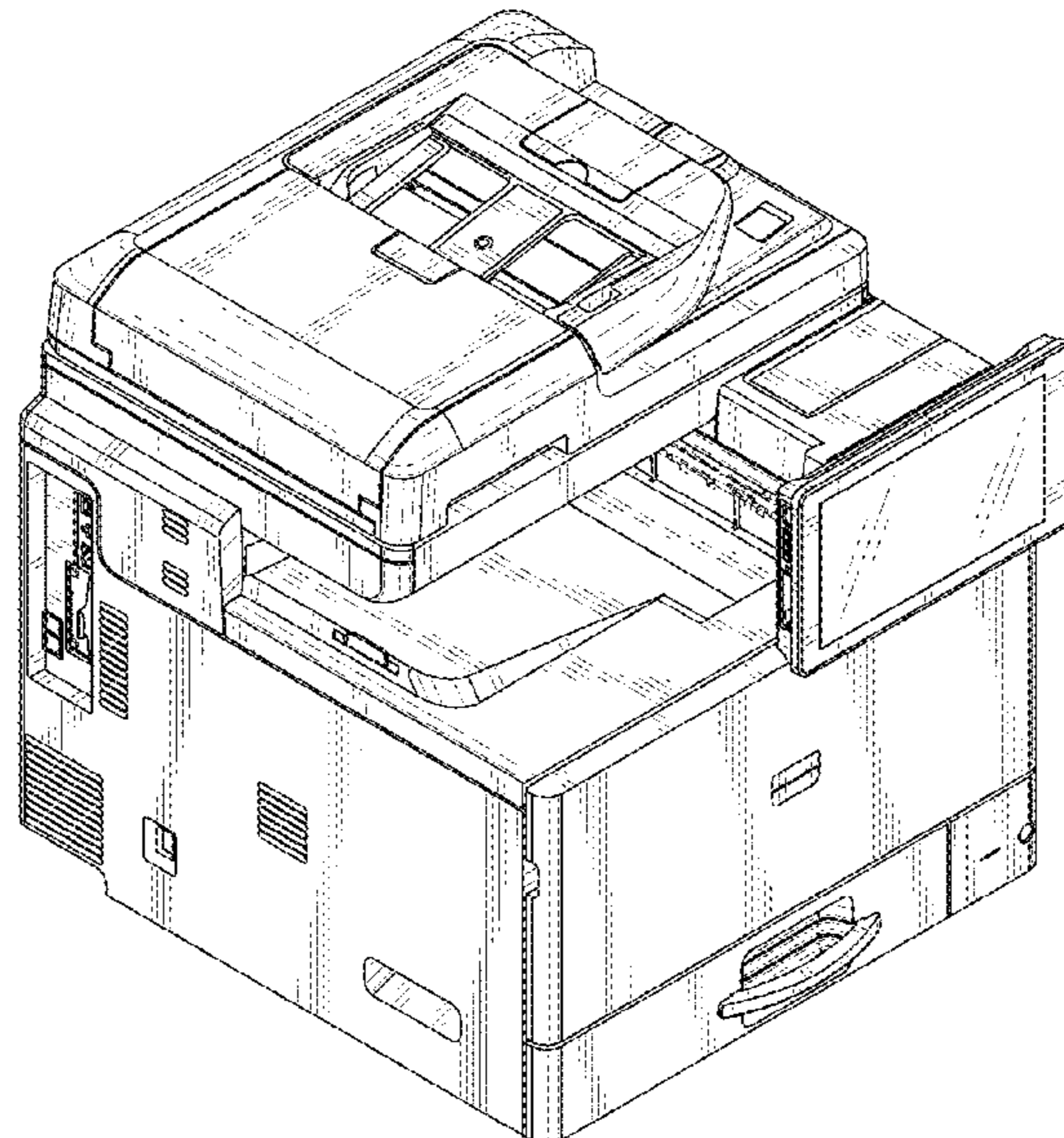
(56) **References Cited**

U.S. PATENT DOCUMENTS

9,232,094 B2 * 1/2016 Kobayashi H04N 1/00384
D807,426 S * 1/2018 Brown D18/50
D807,428 S * 1/2018 Brown D18/55
D811,474 S * 2/2018 Kim D18/55
D832,342 S * 10/2018 Brown D18/50
D836,712 S * 12/2018 Brown D18/50
D849,134 S * 5/2019 Kimura D18/55

(Continued)

1 Claim, 12 Drawing Sheets



(56)

References Cited

U.S. PATENT DOCUMENTS

10,389,899 B2 * 8/2019 Hanamoto H04N 1/00554
D865,052 S * 10/2019 Oda D18/50
D899,514 S * 10/2020 Chin D18/50
D917,613 S * 4/2021 Oda D18/53
11,122,173 B2 * 9/2021 An H04N 1/00559
2020/0145556 A1 * 5/2020 Yoshimura H04N 1/0048
2020/0244826 A1 * 7/2020 Ido H04N 1/00129

OTHER PUBLICATIONS

-<https://www.digitec.ch/de/s1/product/ricoh-mp-c307spf-laserled-farbe-drucker-6292562?supplier=406802> Ricoh MP C307SPF, p. 8, 2019—digitec.ch—29726484 (Year: 2019).*

* cited by examiner

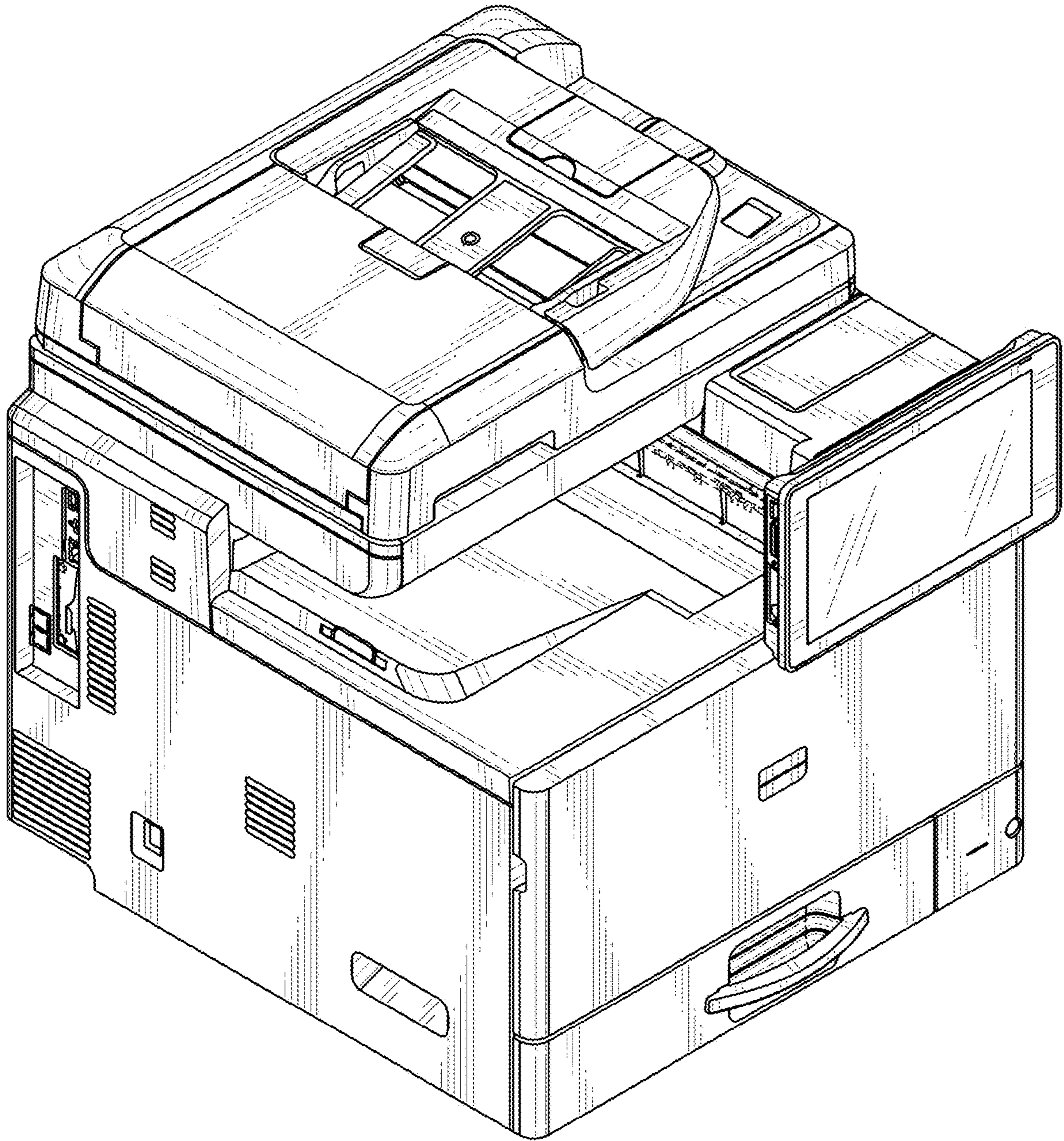


FIG. 1

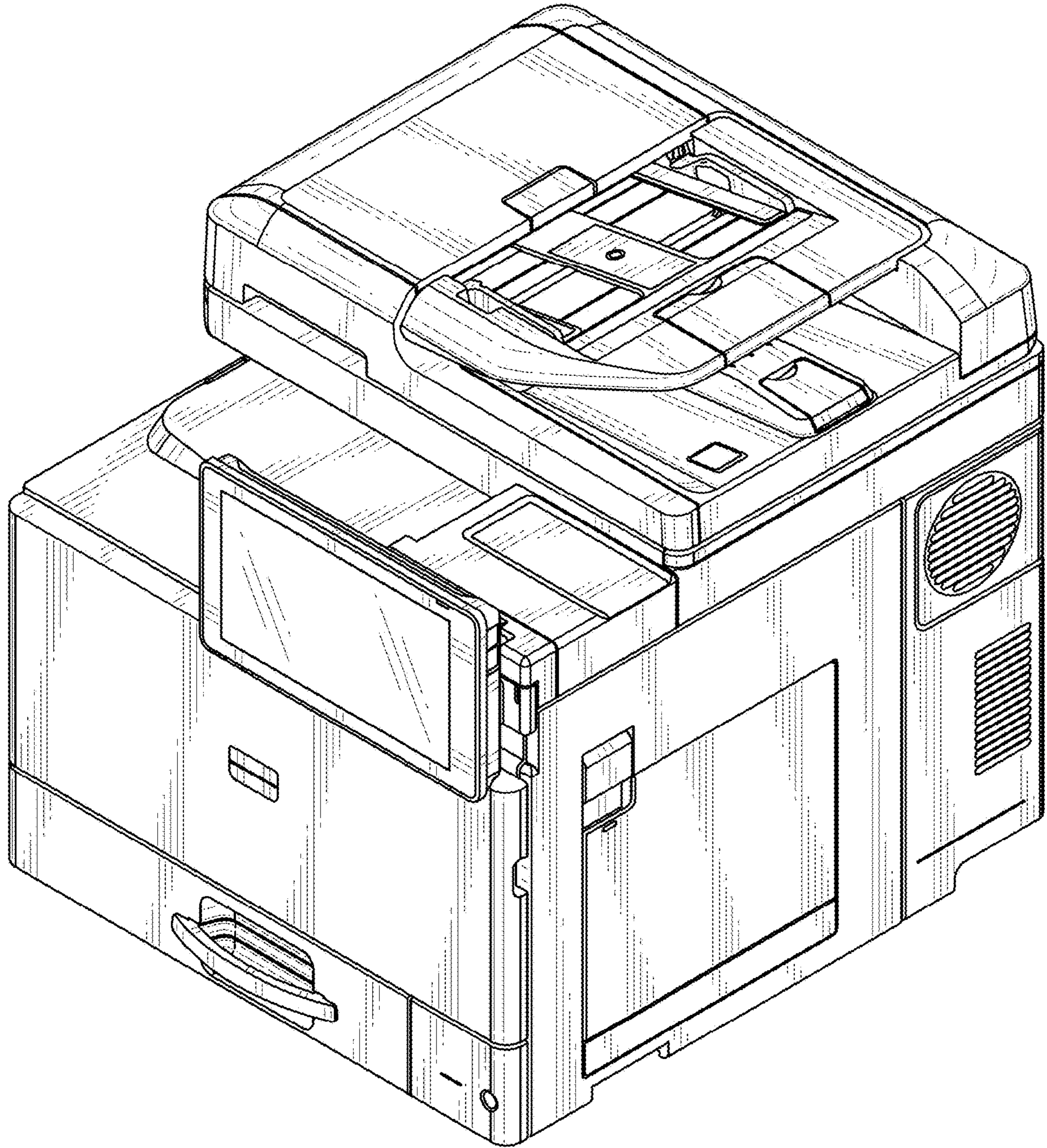


FIG. 2

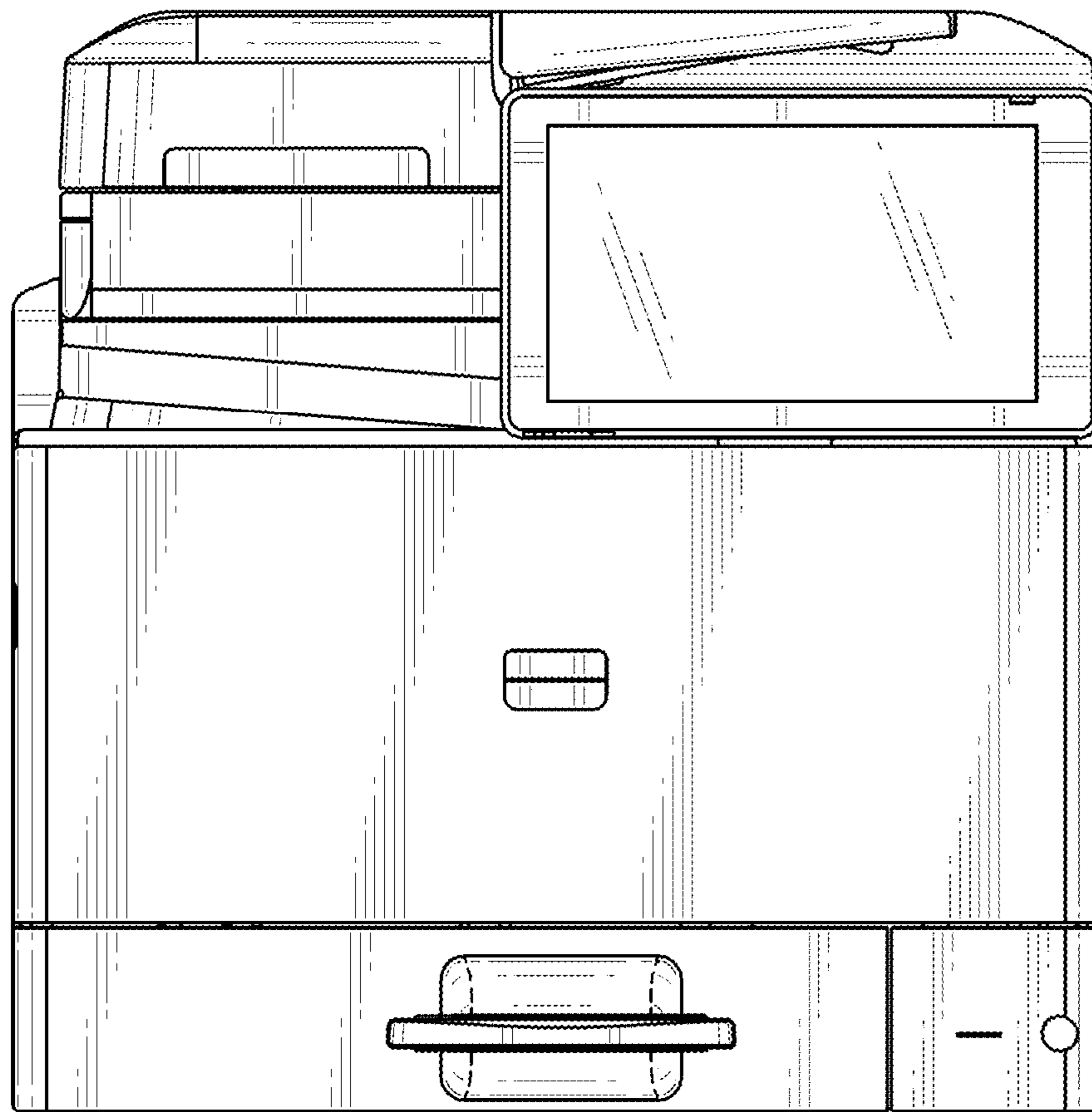


FIG. 3

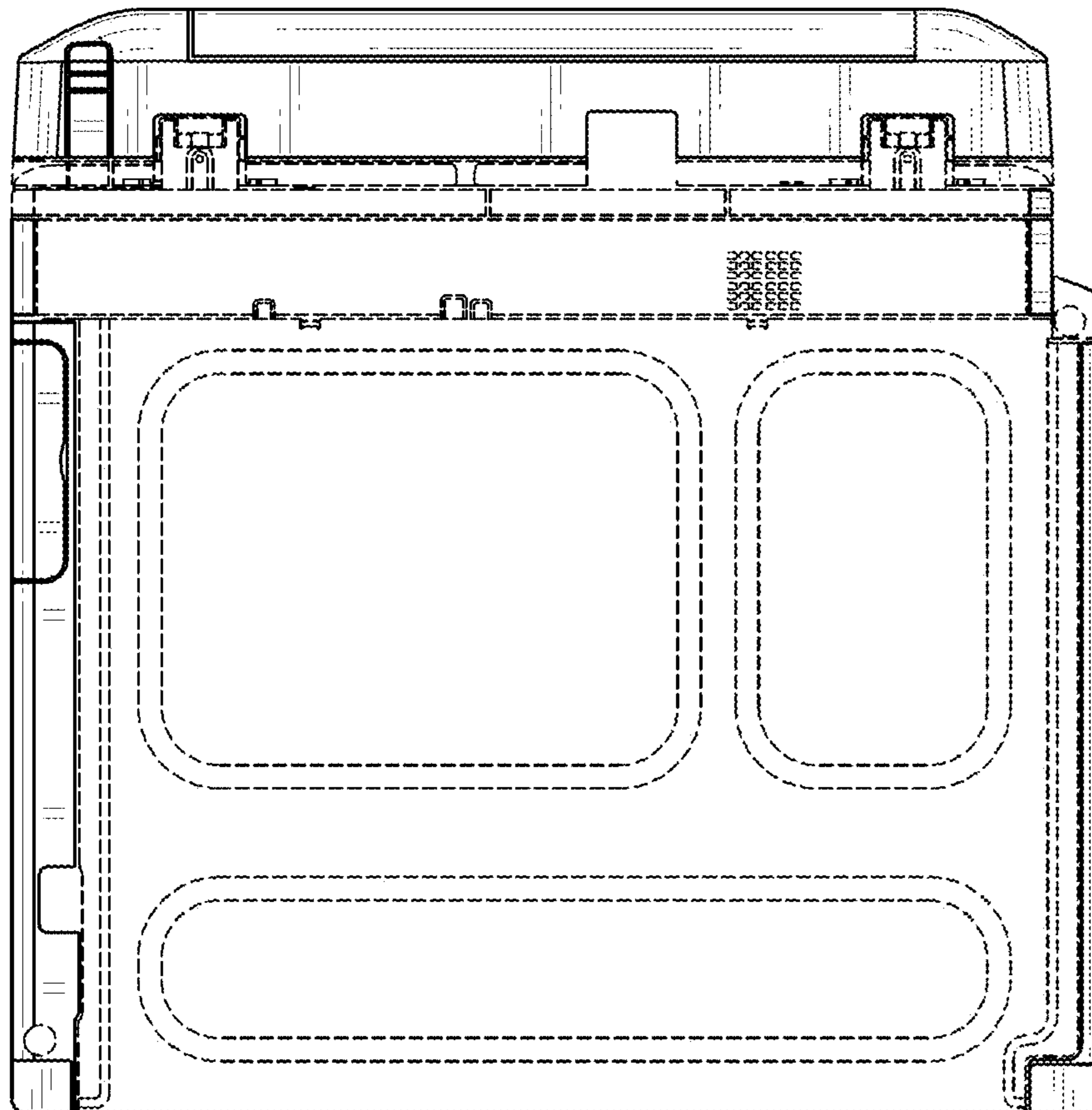


FIG. 4

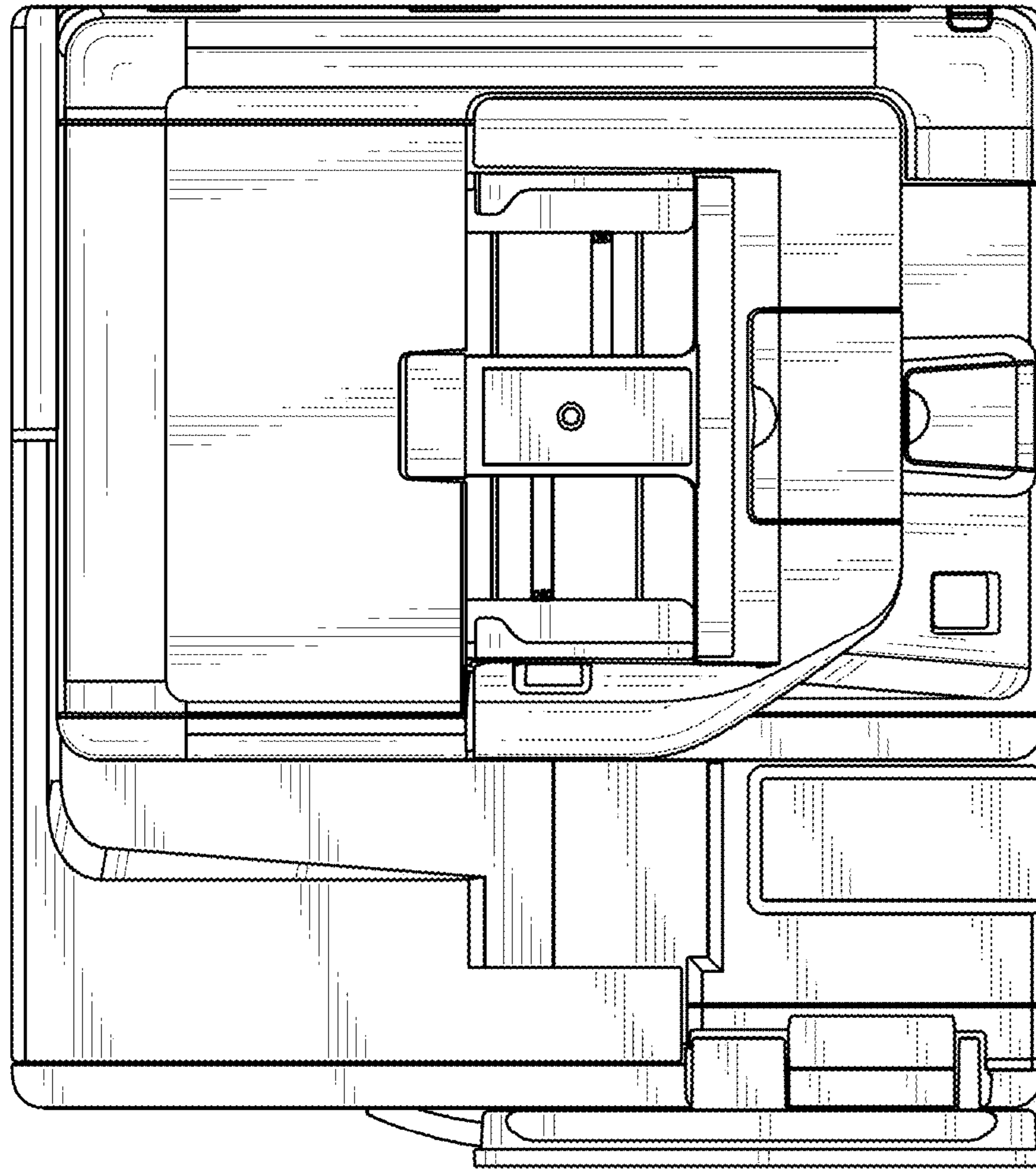


FIG. 5

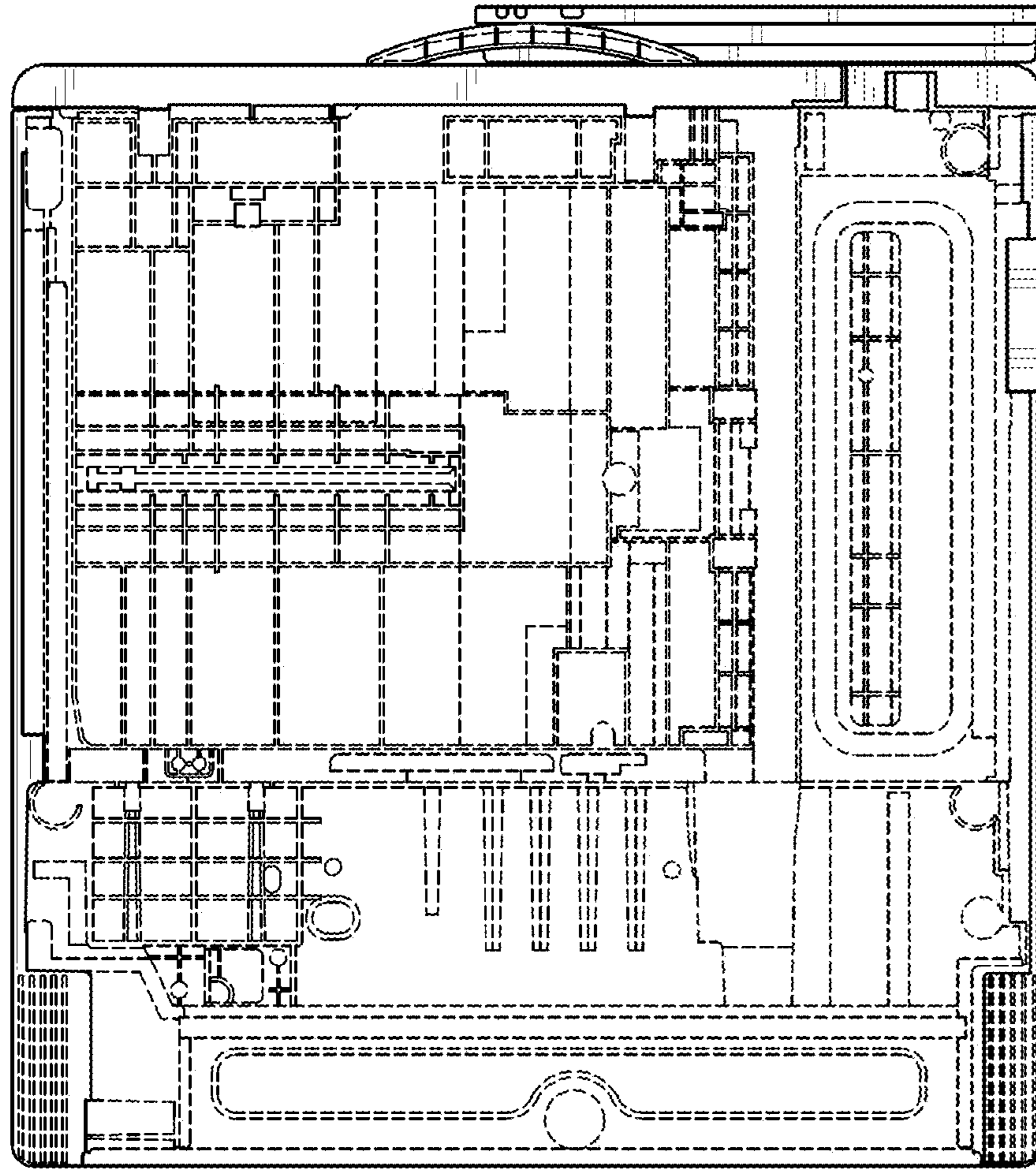


FIG. 6

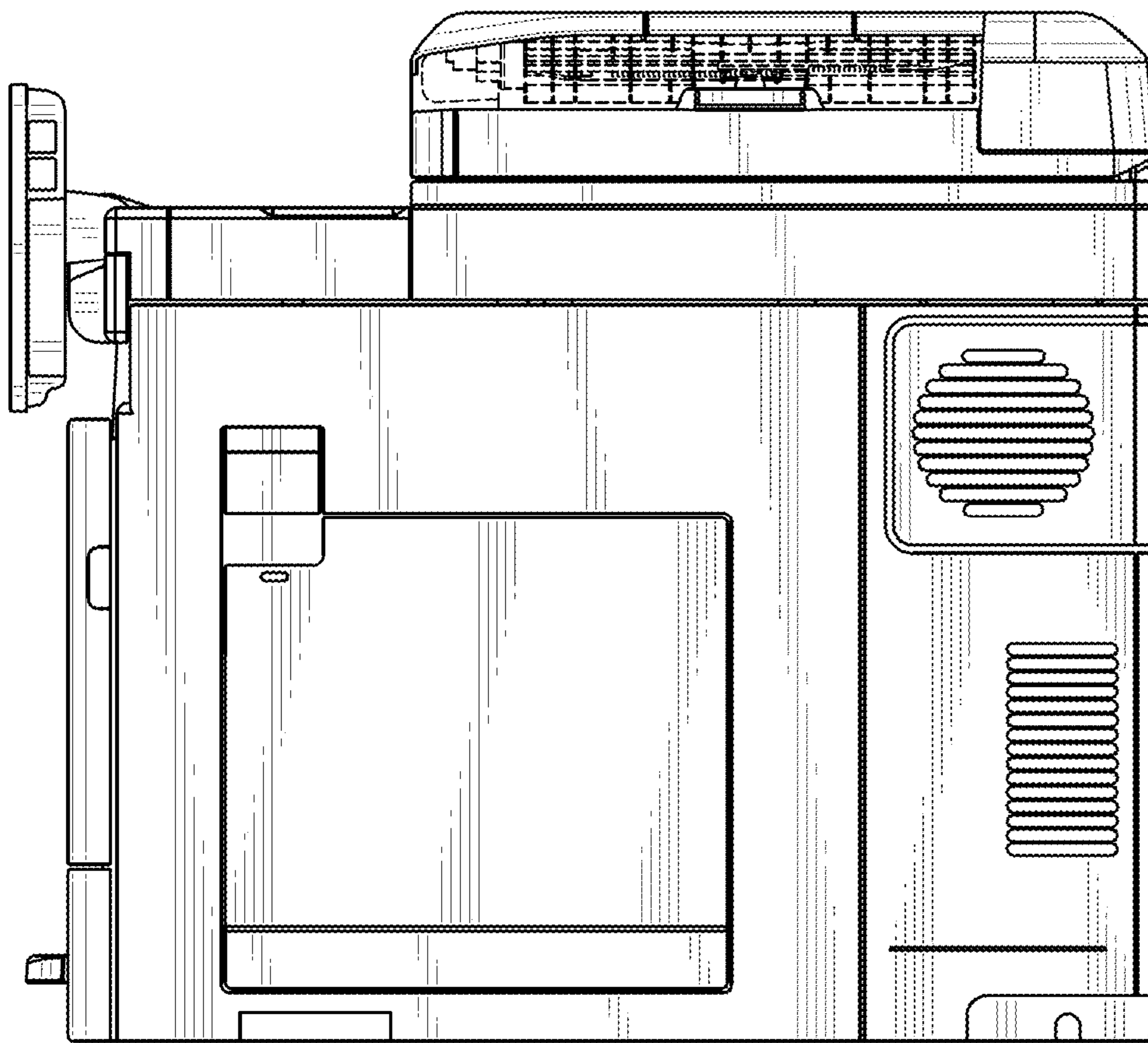


FIG. 7

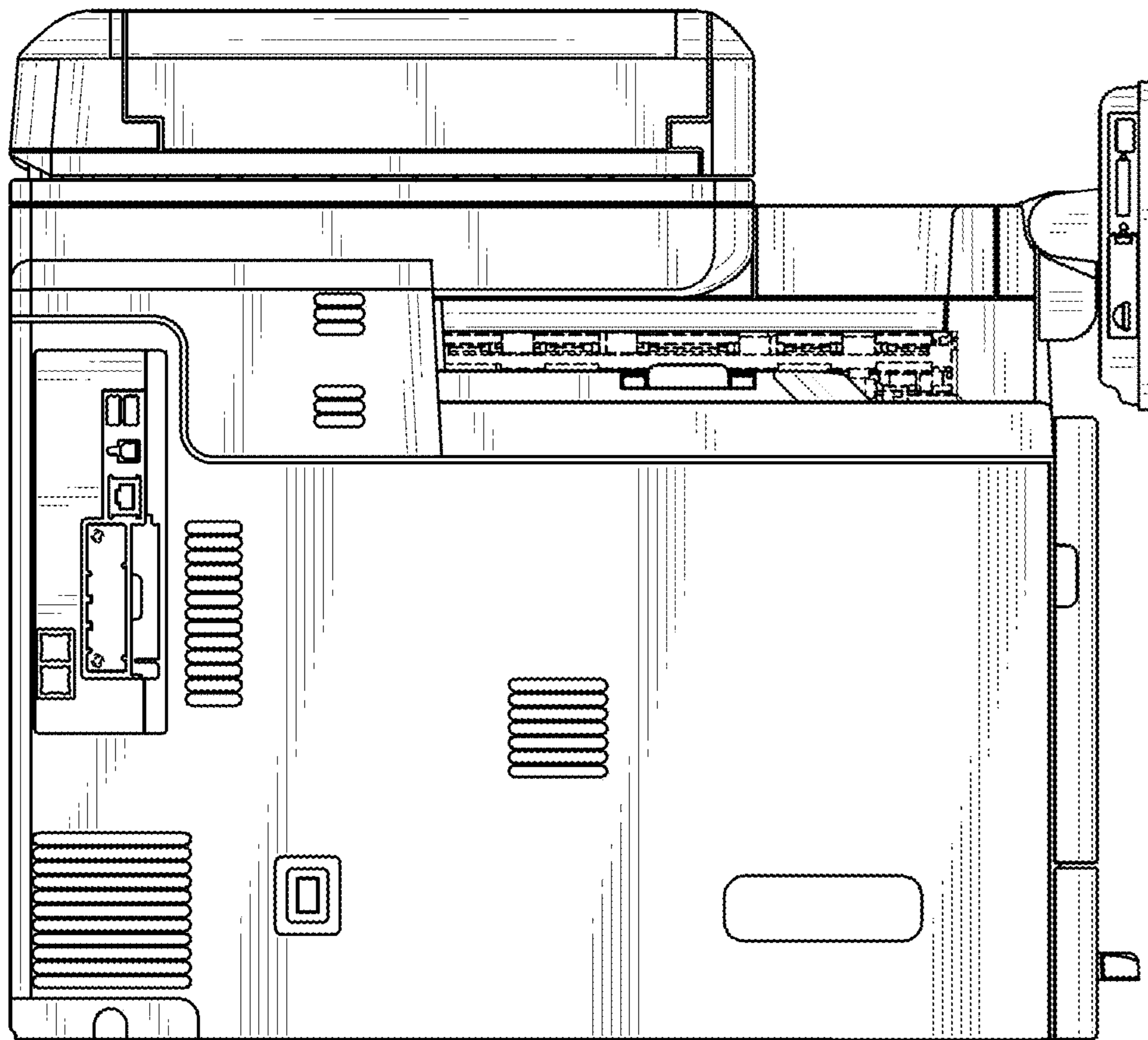


FIG. 8

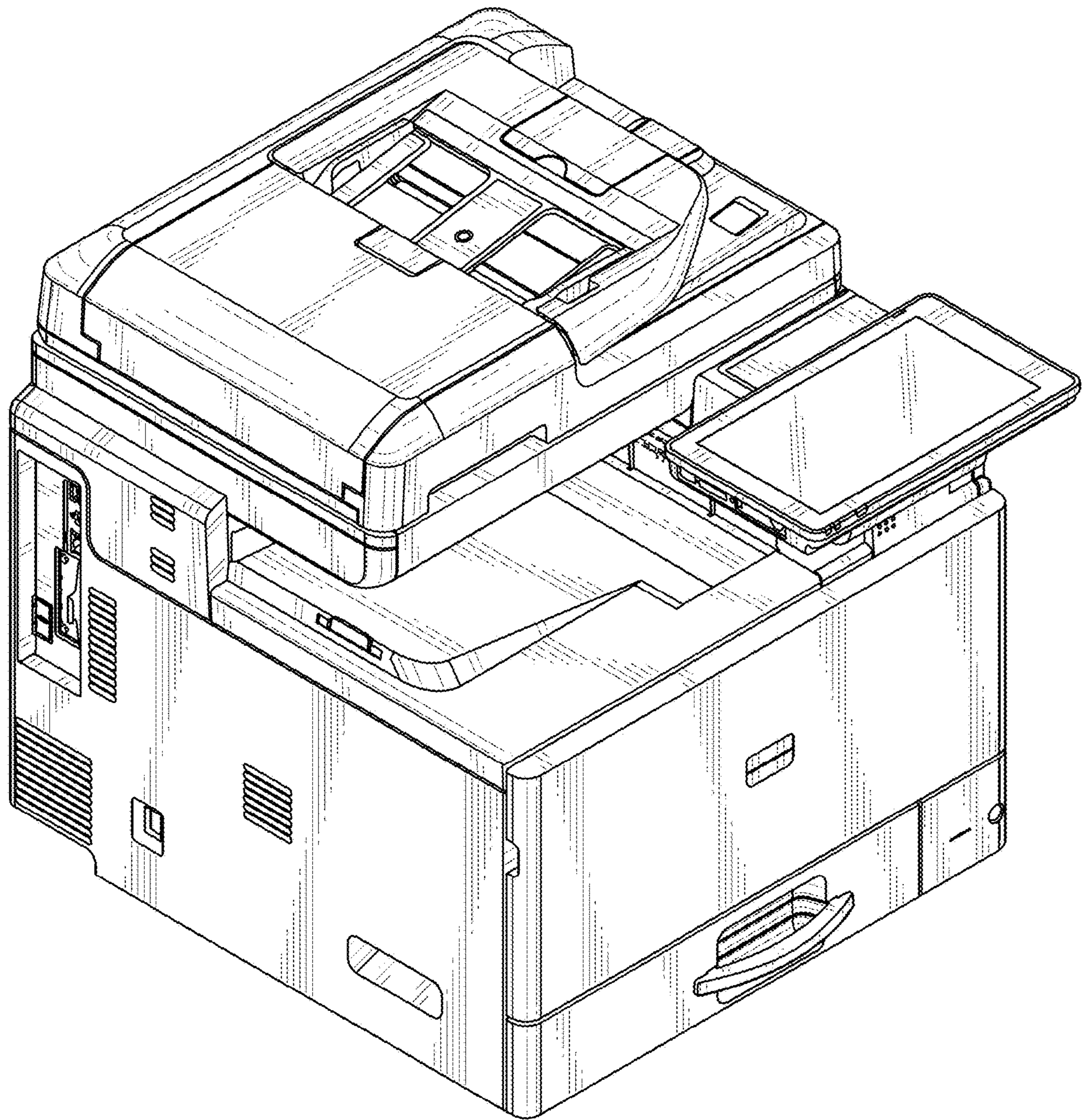


FIG. 9

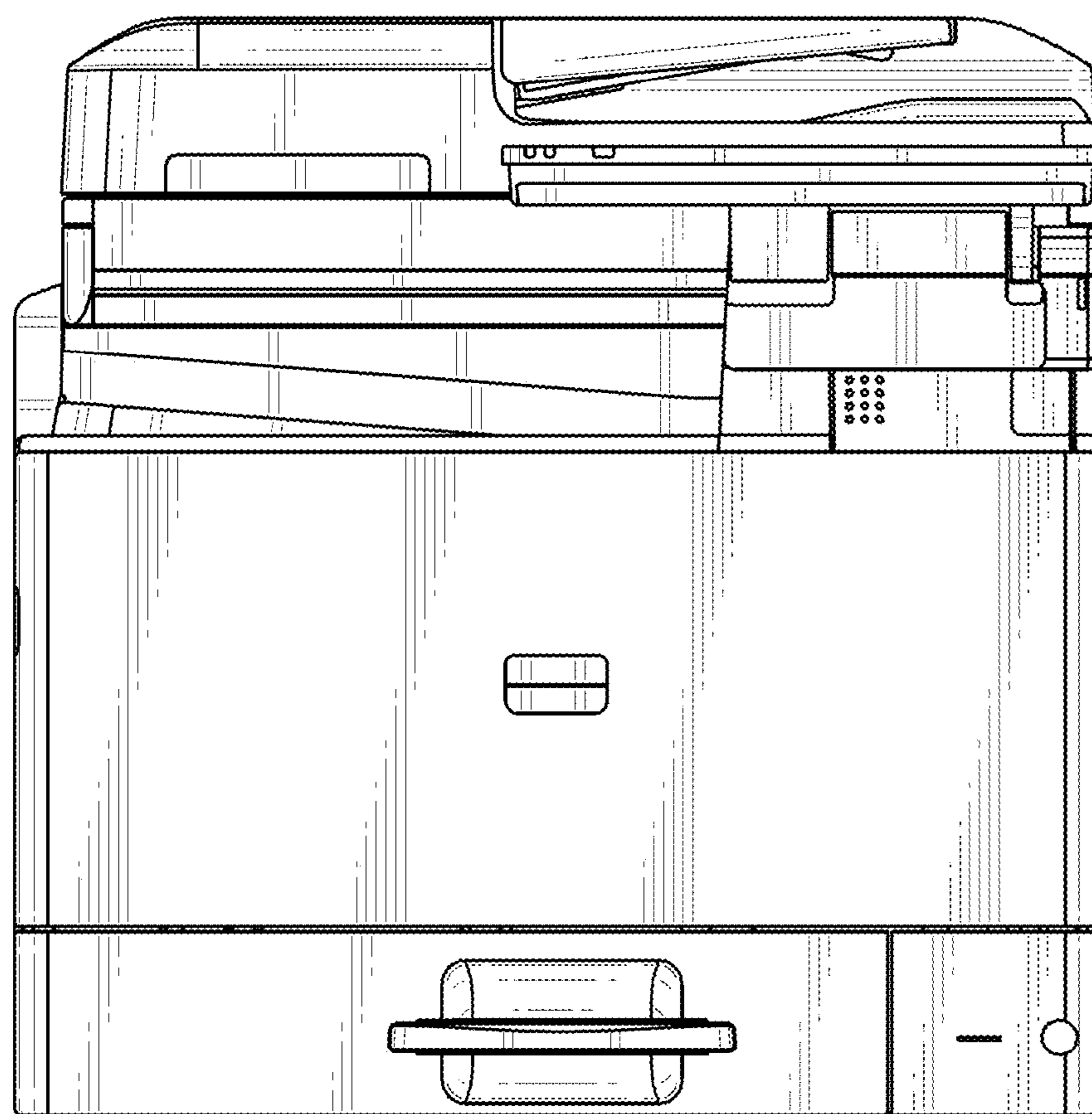


FIG. 10

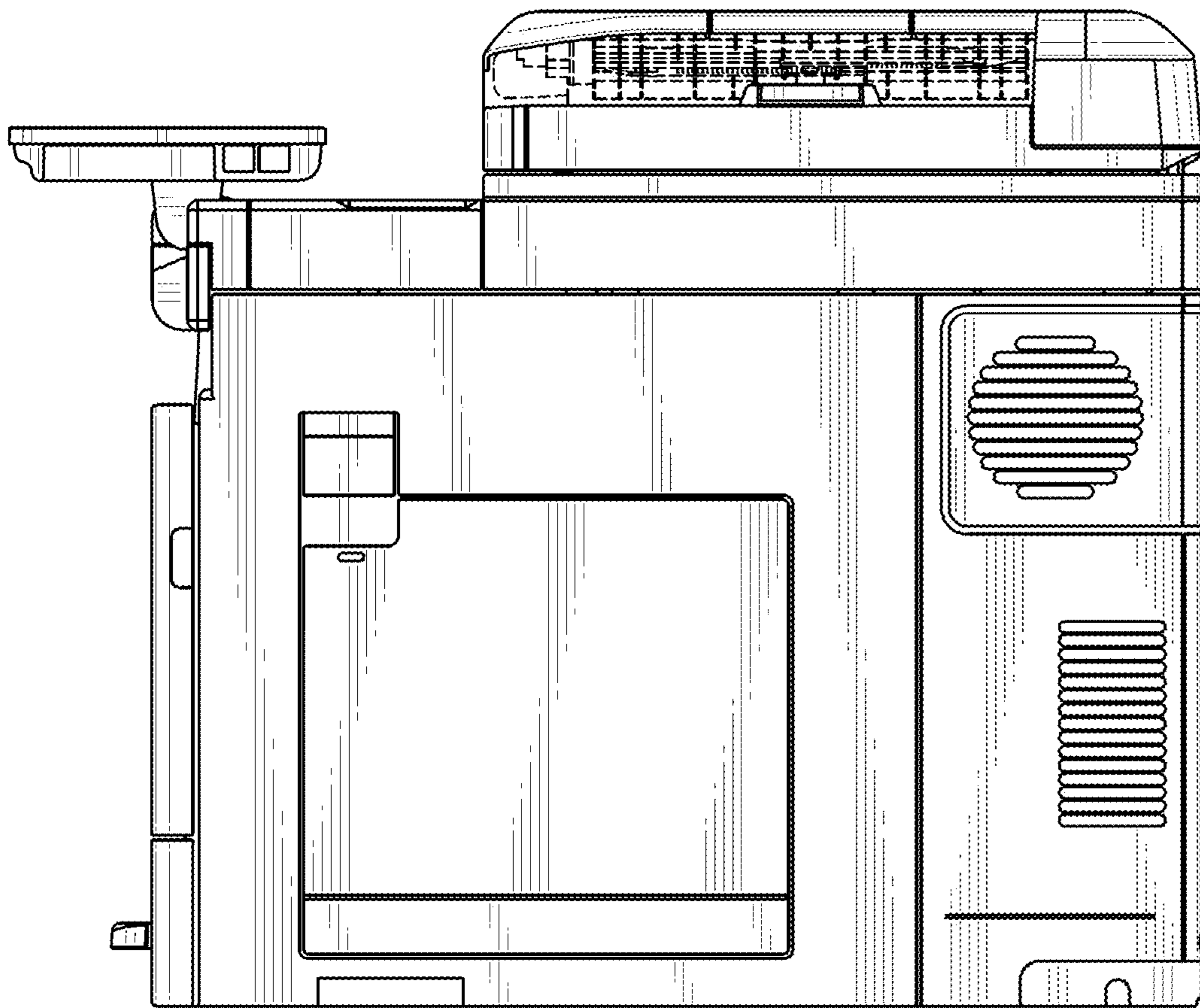


FIG. 11

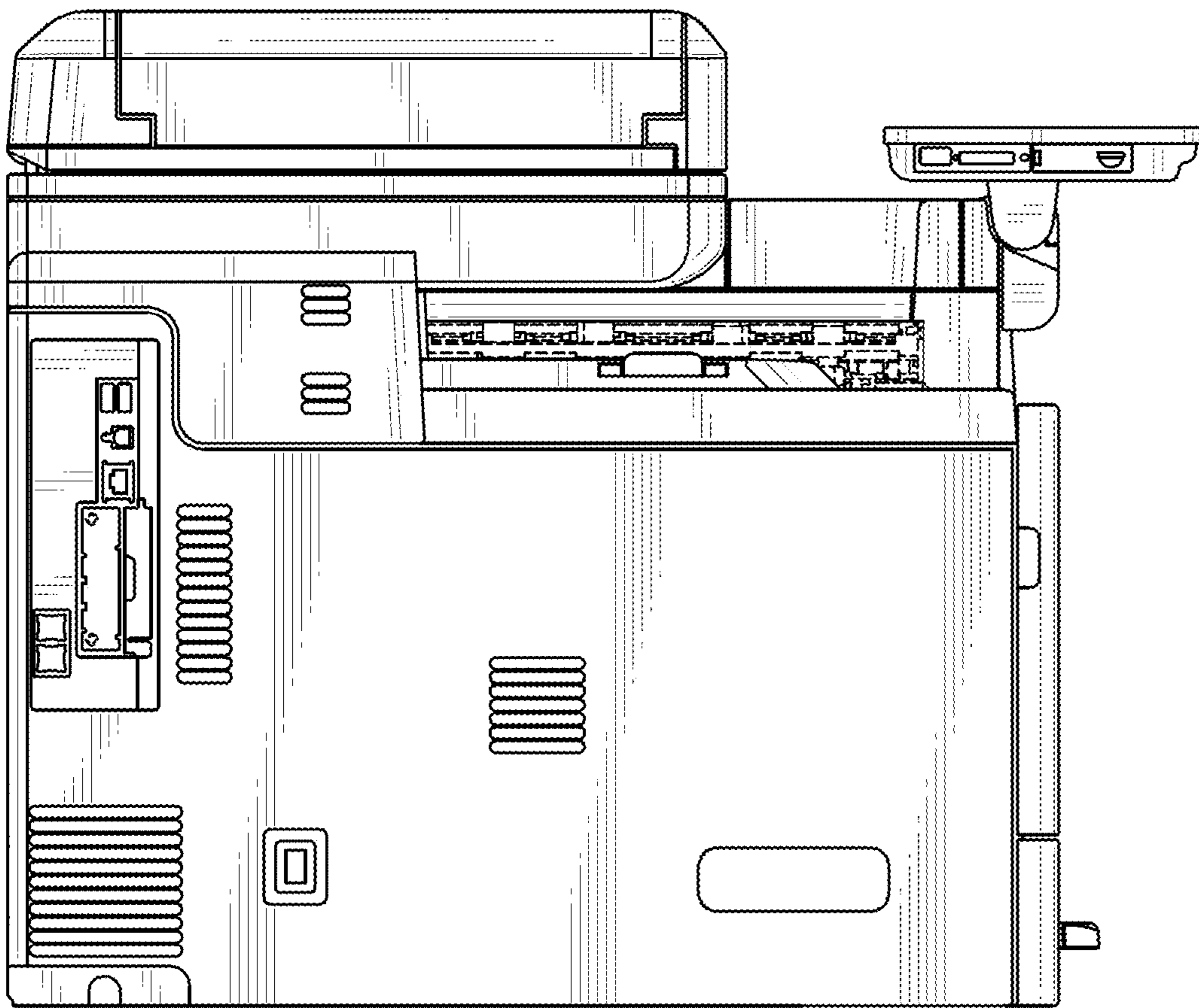


FIG. 12