



US00D970603S

(12) **United States Design Patent** (10) **Patent No.:** **US D970,603 S**
Hackett et al. (45) **Date of Patent:** **** Nov. 22, 2022**

(54) **MEDIA CARTRIDGE**
(71) Applicant: **ZEBRA TECHNOLOGIES CORPORATION**, Lincolnshire, IL (US)
(72) Inventors: **Edward Anthony Hackett**, Surbiton (GB); **Steve Ting Kei Chow**, Monterey Park, CA (US); **Angel B. Rosales**, Port Hueneme, CA (US); **JaeHo Choi**, Whitestone, NY (US); **Chad Chaumont**, Mount Sinai, NY (US); **Daniel V. Carroll**, Port Barrington, IL (US); **Frieda W. Trovela**, Arlington Heights, IL (US)

3,613,973 A 10/1971 Jaeschke
4,431,139 A 2/1984 Bamsbee et al.
D398,646 S * 9/1998 Geiger D19/67
D422,312 S * 4/2000 Bronwasser D19/89
D432,575 S * 10/2000 Van Den Berg D19/67
6,196,493 B1 3/2001 Tanaka
6,315,474 B1 * 11/2001 Giles B41J 11/001
346/24
D457,189 S * 5/2002 Chan D19/67
D486,853 S * 2/2004 Wilken D18/56
D509,531 S * 9/2005 Geserich D18/12

(Continued)

FOREIGN PATENT DOCUMENTS

GB 8205565000-1000 * 12/2019
WO 2012/098891 A1 7/2012

(73) Assignee: **Zebra Technologies Corporation**, Lincolnshire, IL (US)

OTHER PUBLICATIONS

Zebra Technologies—HC100, YouTube.com, Published Jun. 26, 2010, Retrieved from internet Mar. 4, 2022—29730945—https://www.youtube.com/watch?v=TDwJUViP9-g (Year: 2010).*

(Continued)

(**) Term: **15 Years**

Primary Examiner — Jennifer L Rempfer
Assistant Examiner — Danielle Nichole Bowly

(21) Appl. No.: **29/730,945**

(22) Filed: **Apr. 9, 2020**

(51) **LOC (13) Cl.** **16-03**

(52) **U.S. Cl.**
USPC **D18/43**

(58) **Field of Classification Search**
USPC D6/700, 866.21, 406.5, 405.6, 694, 685, D6/641, 553; D19/66, 67, 68, 69; D11/164; D8/367, 382; D18/50, 53, 54, D18/55, 56, 57, 58, 59, 34.7, 34.3, 34.1, D18/4.1
CPC G06F 3/02; H04N 1/00278; B32B 27/08; G11B 23/40

See application file for complete search history.

(57) **CLAIM**

We claim the ornamental design for a media cartridge, as shown and described.

DESCRIPTION

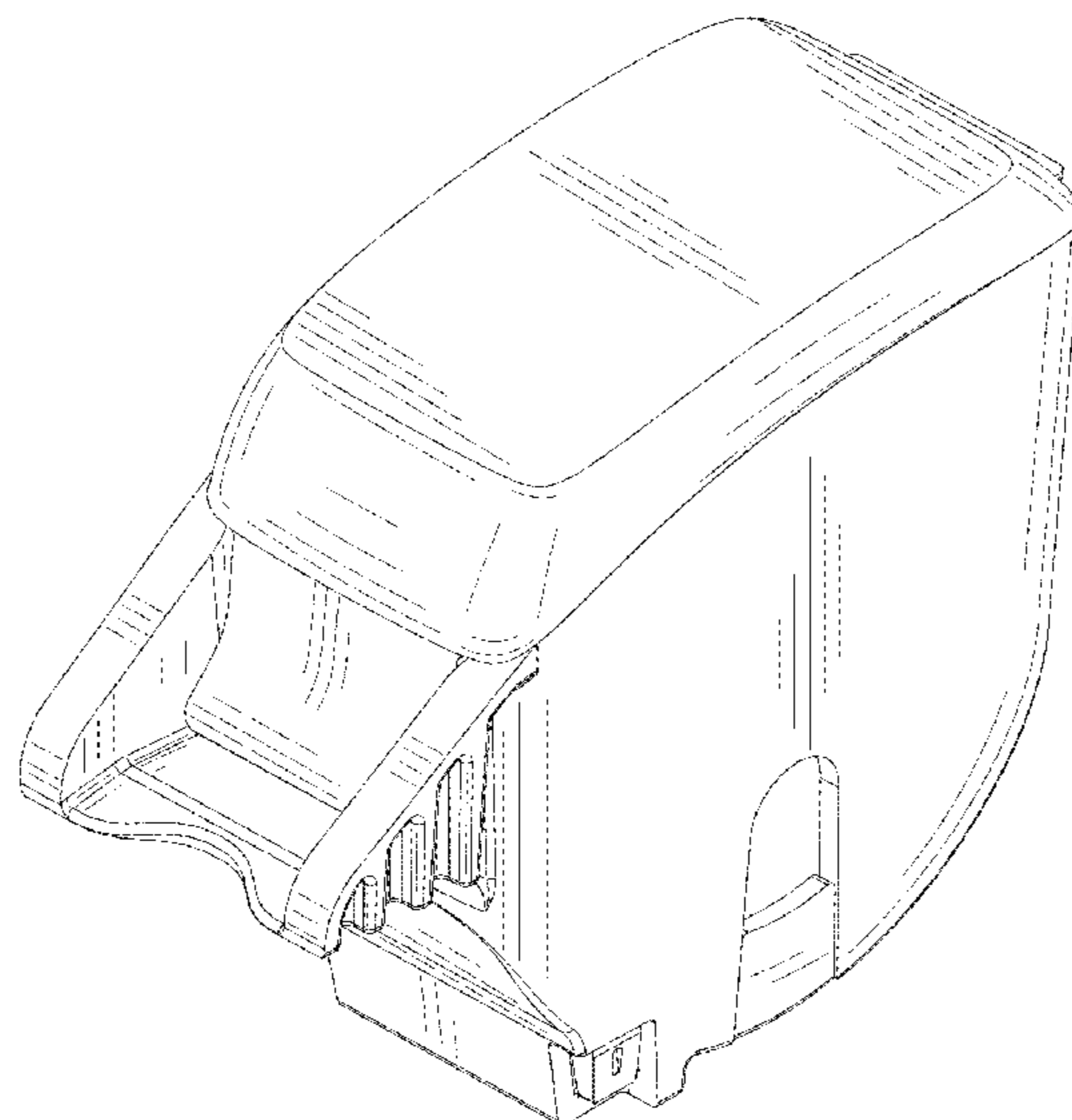
FIG. 1 is a first perspective view of a media cartridge.
FIG. 2 is a second perspective view thereof.
FIG. 3 is a first side view thereof.
FIG. 4 is a second side view thereof.
FIG. 5 is a rear side view thereof.
FIG. 6 is a front side view thereof.
FIG. 7 is a bottom side view thereof; and,
FIG. 8 is a top side view thereof.

(56) **References Cited**

U.S. PATENT DOCUMENTS

D188,519 S * 8/1960 Gershen D19/69
3,246,742 A 4/1966 Coe

1 Claim, 7 Drawing Sheets



(56)

References Cited

U.S. PATENT DOCUMENTS

D519,552 S * 4/2006 Carriere D18/56
7,300,015 B2 11/2007 Fukushima et al.
D570,918 S * 6/2008 Rushe D19/69
D570,919 S * 6/2008 Chan D19/69
D763,350 S * 8/2016 Whittall D18/56
D823,941 S * 7/2018 Pomfret D18/56
11,051,665 B2 7/2021 Huang
D930,072 S * 9/2021 Zheng D18/56
D933,744 S * 10/2021 Ishimoto D18/56
2011/0210198 A1 9/2011 Case et al.
2012/0027494 A1 2/2012 Kawashima et al.
2015/0022611 A1 1/2015 Taylor et al.
2021/0316560 A1* 10/2021 Chow B41J 15/044

OTHER PUBLICATIONS

International Search Report and Written Opinion for International
Application No. PCT/US2021/026322 dated Sep. 1, 2021.

* cited by examiner

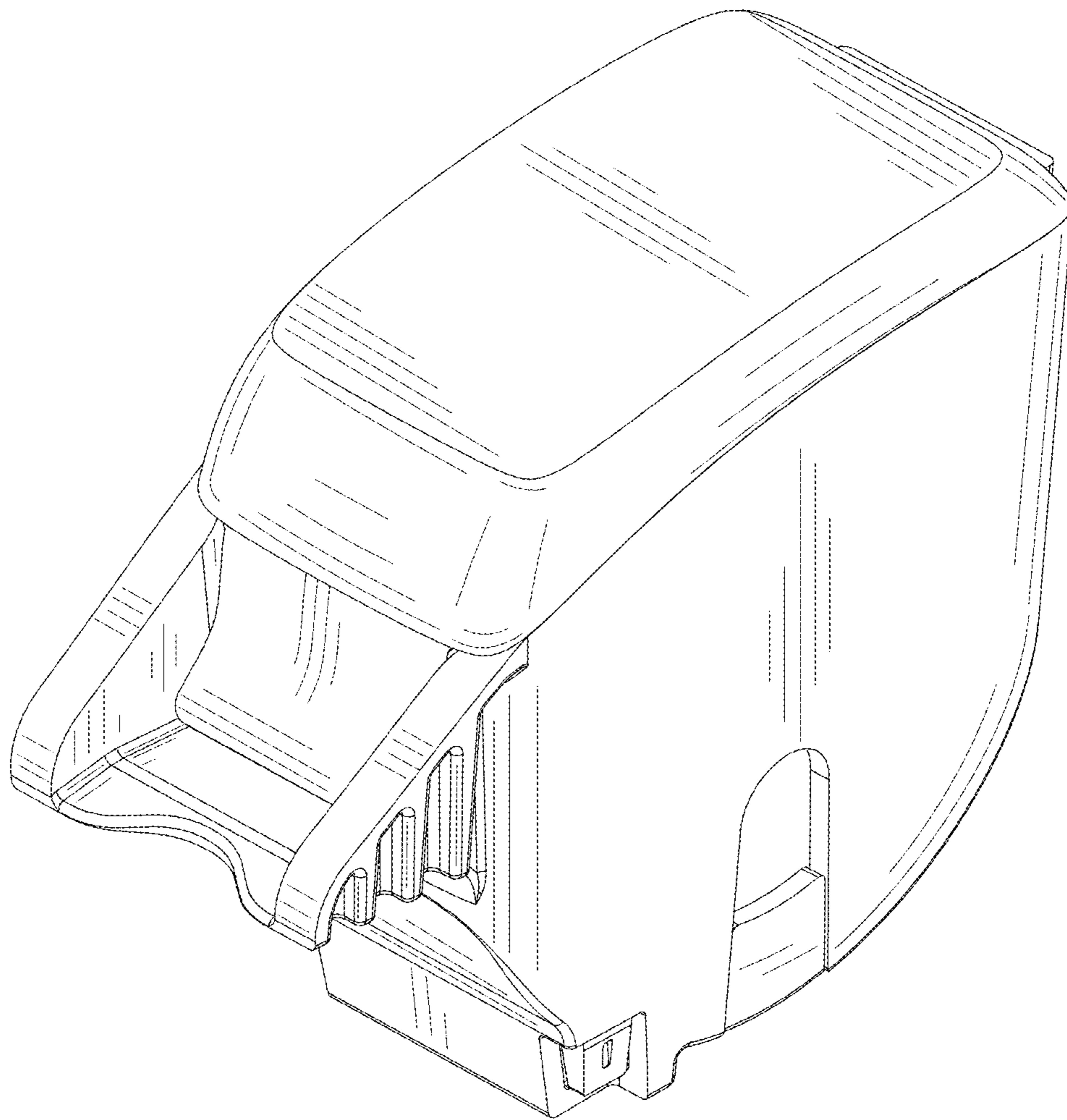


FIG. 1

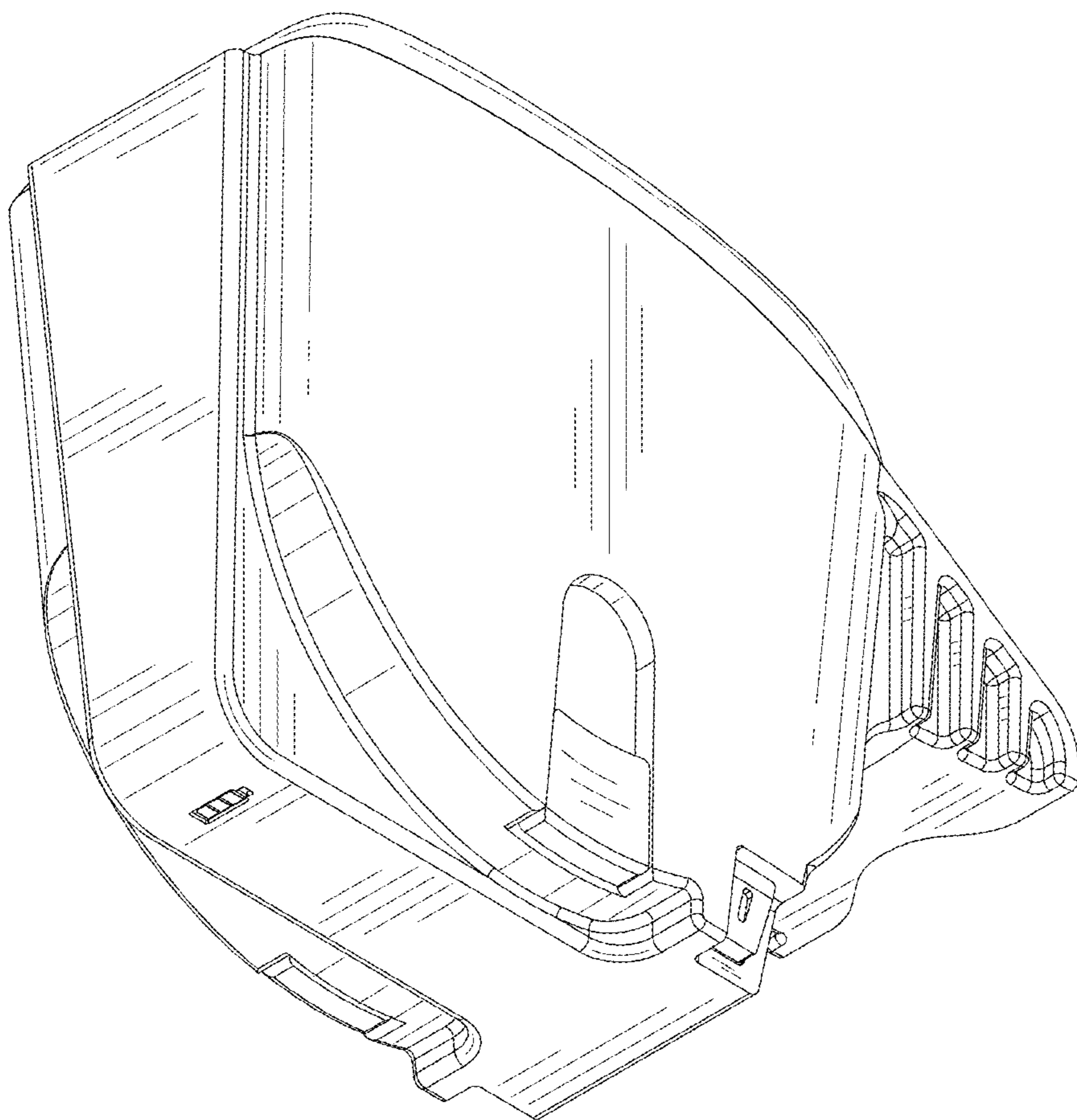


FIG. 2

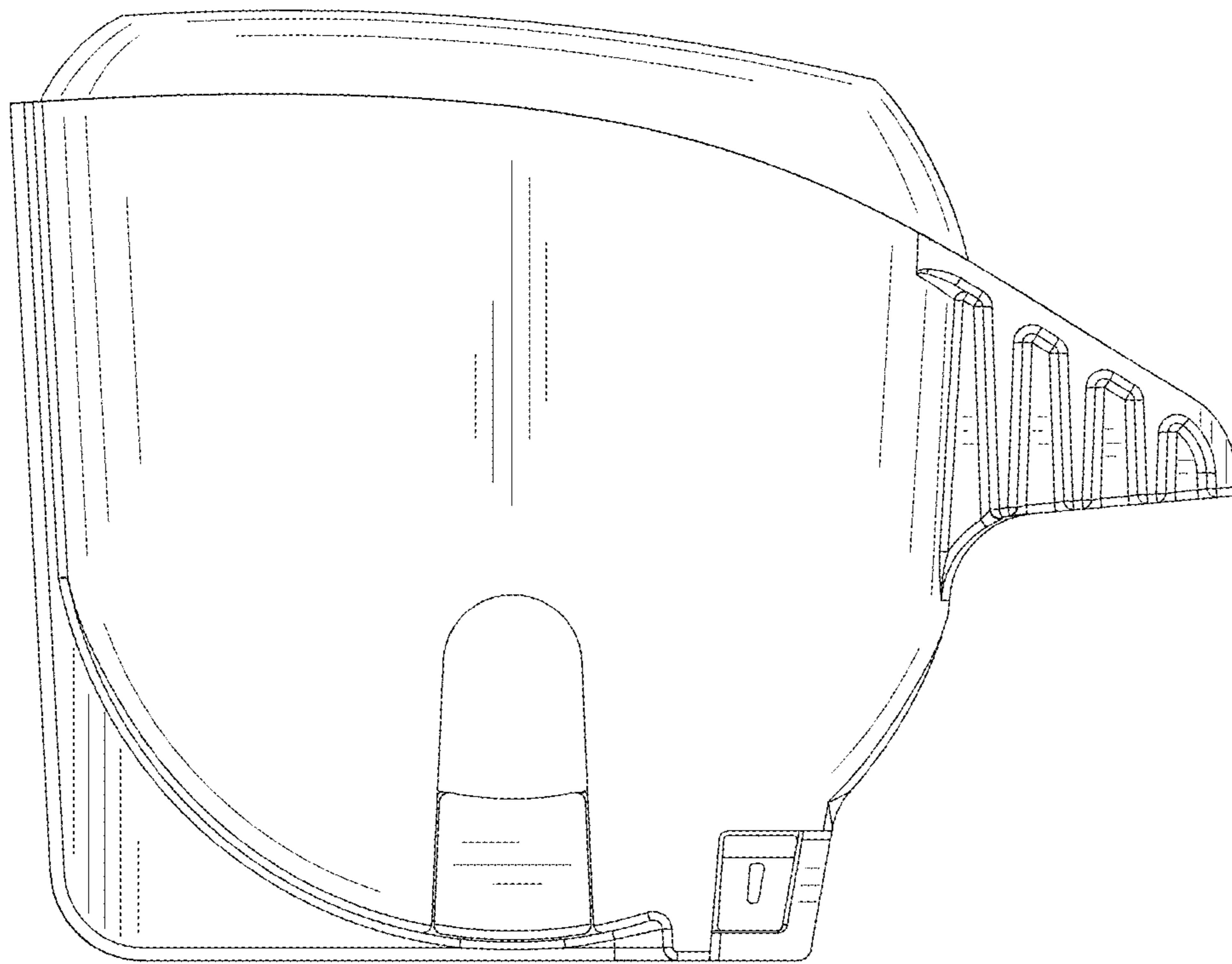


FIG. 3

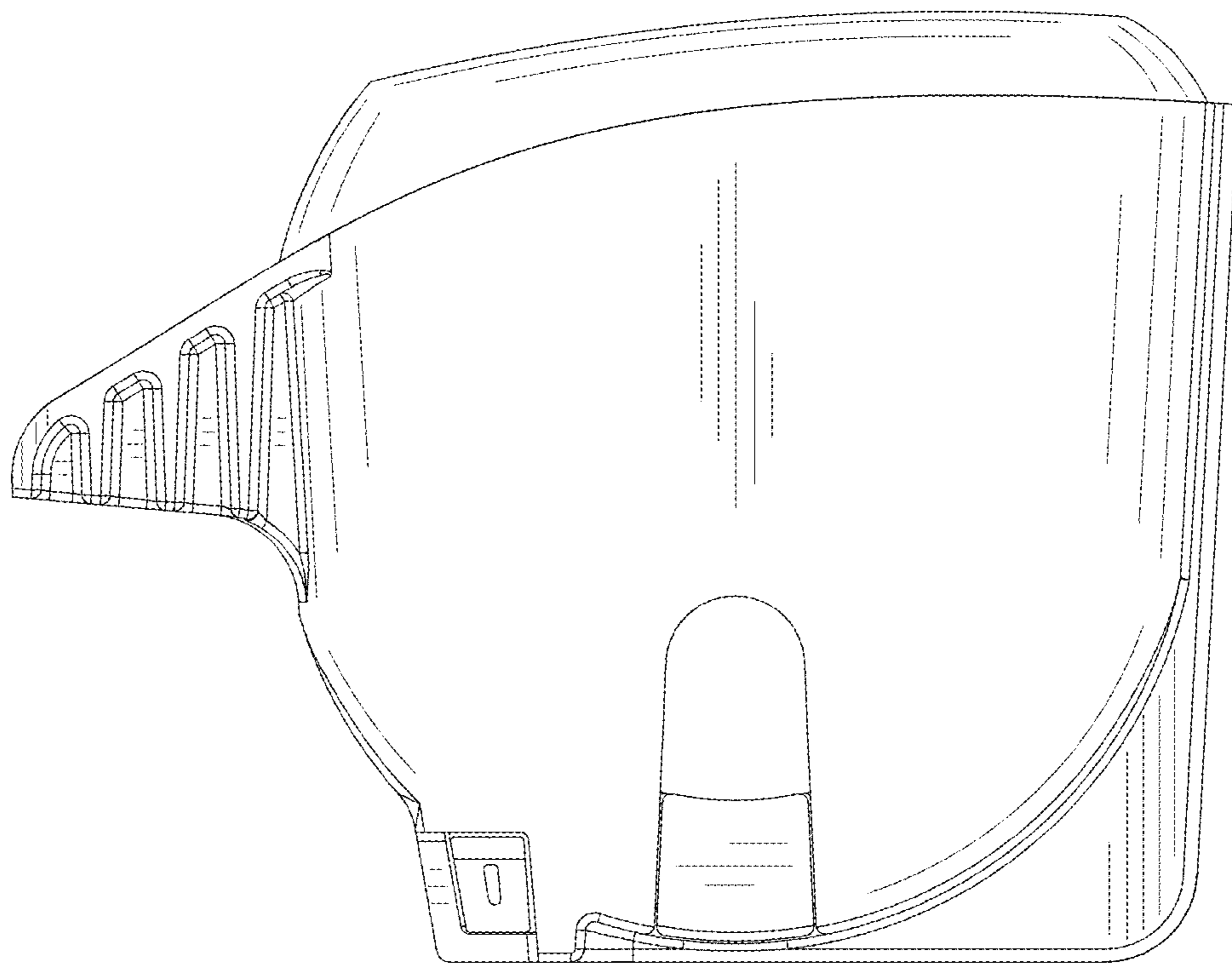


FIG. 4

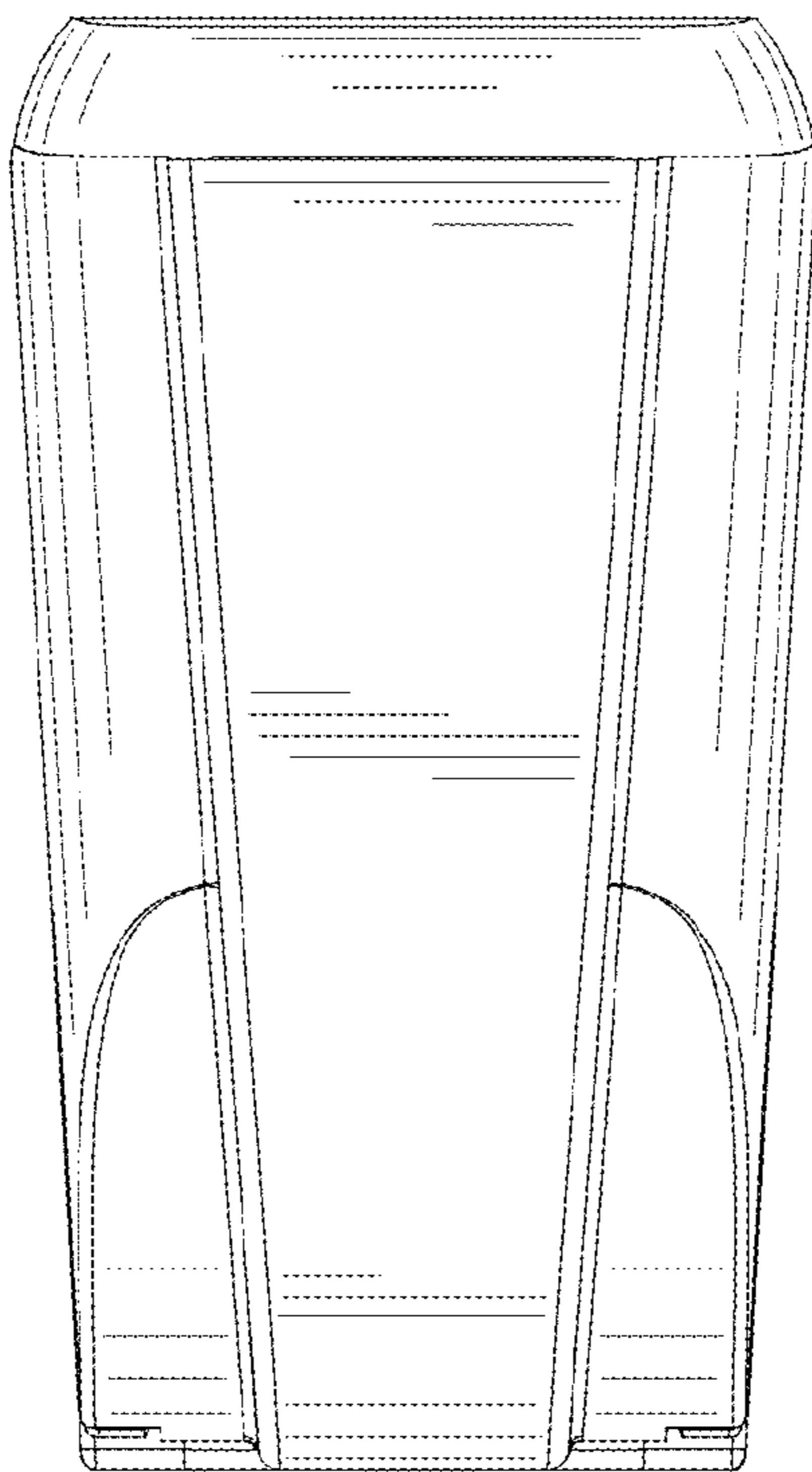


FIG. 5

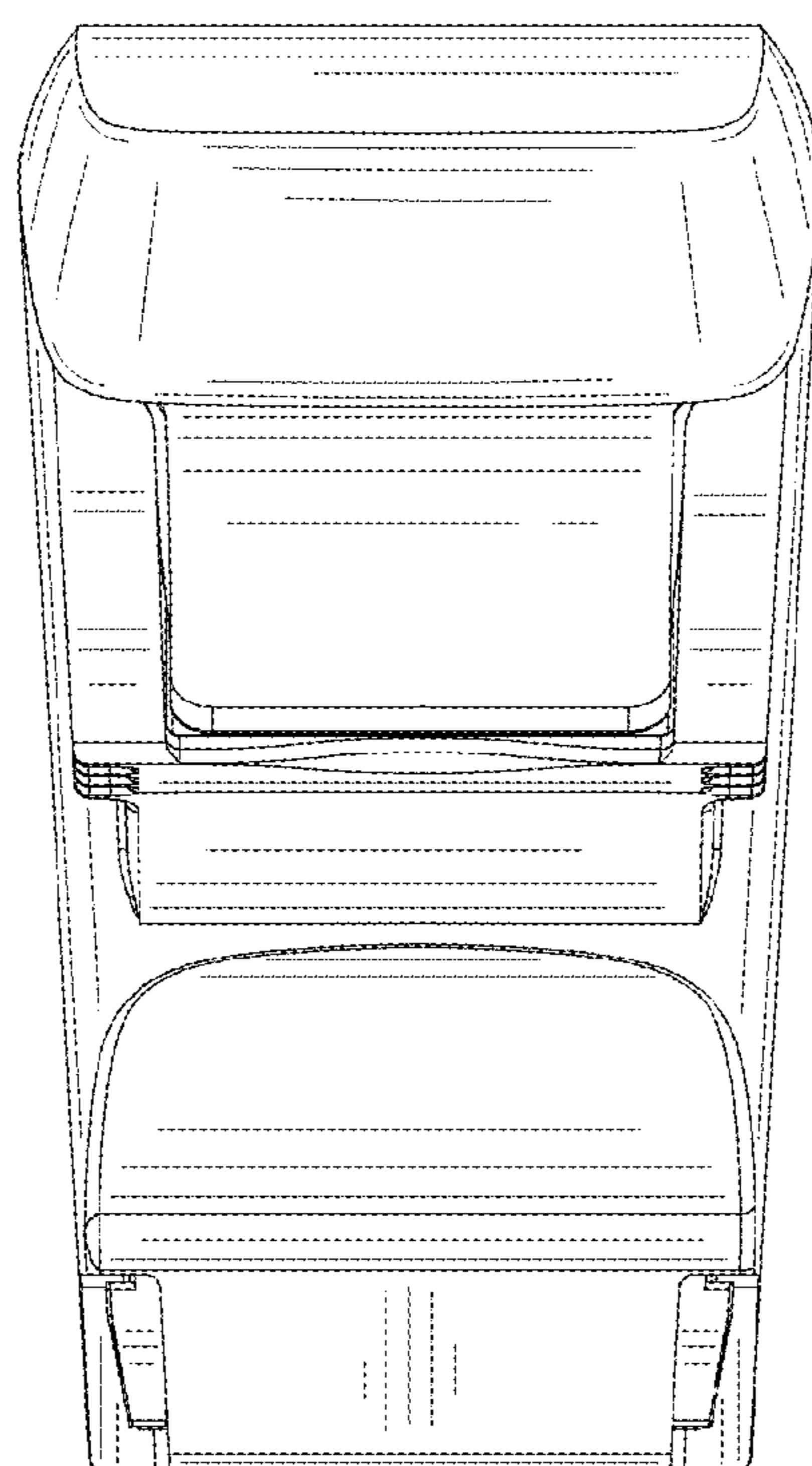


FIG. 6

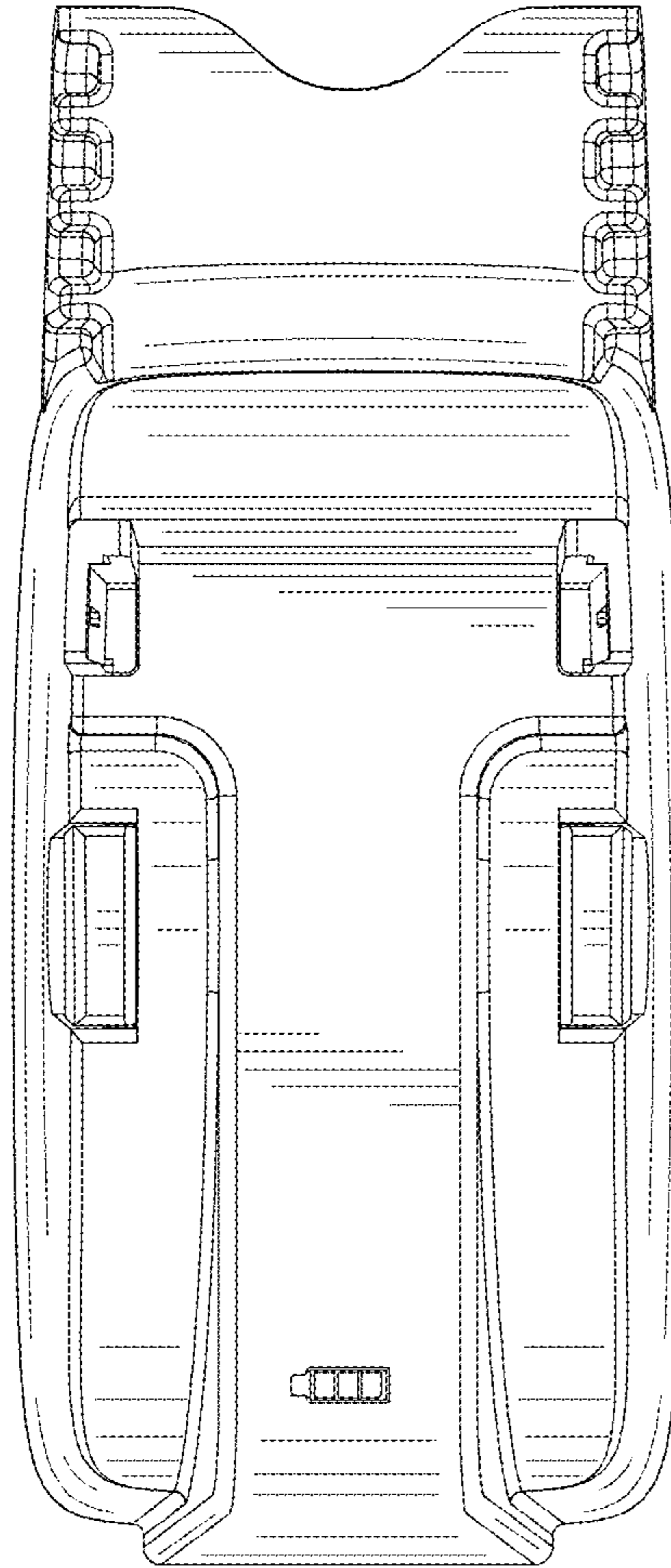


FIG. 7

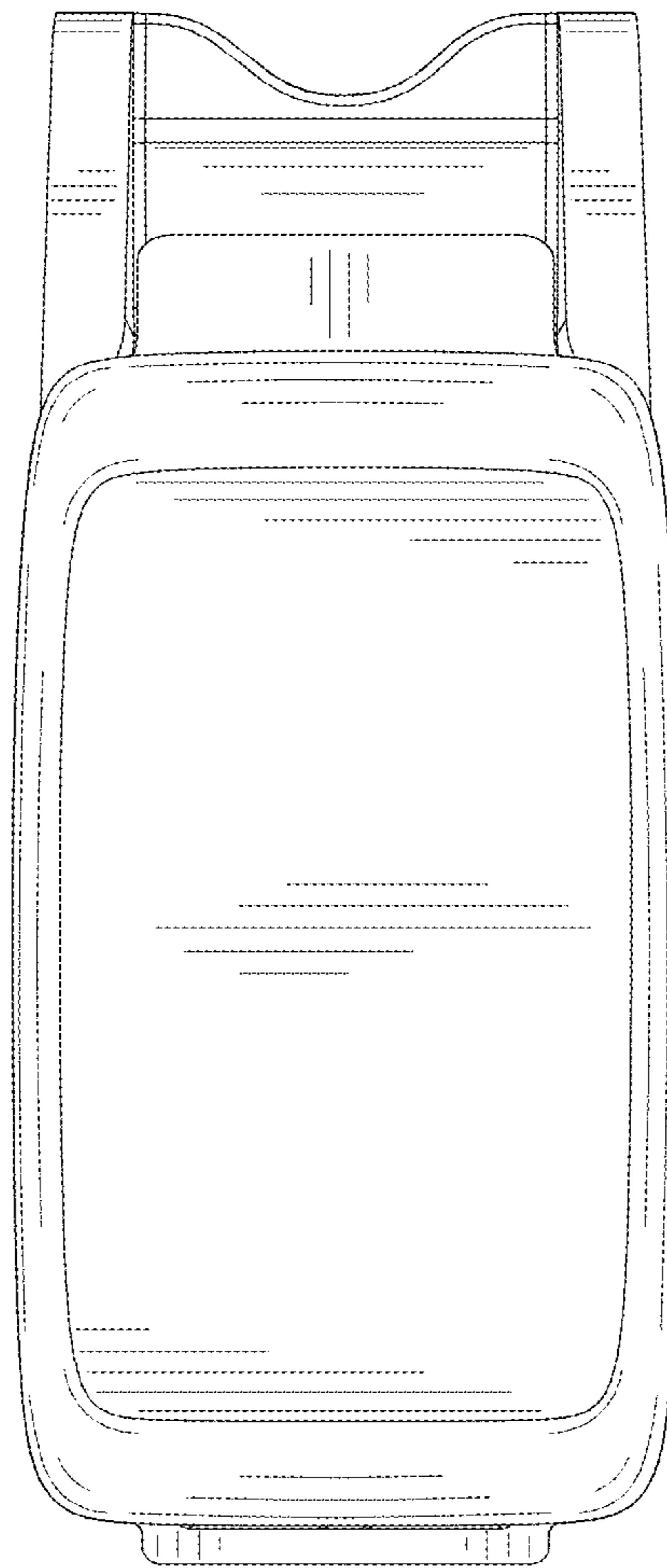


FIG. 8