



US00D970602S

(12) **United States Design Patent**
Stanley et al.

(10) **Patent No.:** **US D970,602 S**

(45) **Date of Patent:** **** Nov. 22, 2022**

(54) **RISER**

(71) Applicants: **Alicia Harvey Stanley**, Gaithersburg, MD (US); **Briar D. Robinson**, Gaithersburg, MD (US); **Robert Walter Kenny, Jr.**, Mount Airy, MD (US); **Exus D. Altimus**, Manassas, VA (US); **William B. Harvey**, Laytonsville, MD (US)

(72) Inventors: **Alicia Harvey Stanley**, Gaithersburg, MD (US); **Briar D. Robinson**, Gaithersburg, MD (US); **Robert Walter Kenny, Jr.**, Mount Airy, MD (US); **Exus D. Altimus**, Manassas, VA (US); **William B. Harvey**, Laytonsville, MD (US)

(73) Assignee: **Alicia Harvey Stanley**, Gaithersburg, MD (US)

(**) Term: **15 Years**

(21) Appl. No.: **29/692,481**

(22) Filed: **May 24, 2019**

(51) **LOC (13) Cl.** **17-03**

(52) **U.S. Cl.**
USPC **D17/20**

(58) **Field of Classification Search**
USPC D17/20, 99; D8/354
CPC G10D 3/00; G10D 13/11; G10D 99/00
See application file for complete search history.

(56) **References Cited**

U.S. PATENT DOCUMENTS

D200,099 S * 1/1965 Attwood D25/121
D233,293 S * 10/1974 Rosen D6/691.3
D244,748 S * 6/1977 Canterbury D8/380
4,151,774 A 5/1979 Klann
D257,663 S * 12/1980 McKee D8/354

D342,011 S * 12/1993 Maguire D8/349
D402,534 S * 12/1998 McCoy D8/354
6,459,023 B1 10/2002 Chandler
6,538,185 B1 3/2003 Stratton
D513,171 S * 12/2005 Richardson D8/394
7,485,792 B2 2/2009 Collins, Sr.
D600,535 S * 9/2009 Rix D8/354
D625,484 S * 10/2010 Savard D34/37
8,614,385 B2 12/2013 McKinney et al.
9,401,133 B2 7/2016 McGinly

(Continued)

FOREIGN PATENT DOCUMENTS

GB 2544517 5/2017
KR 101917599 11/2018

OTHER PUBLICATIONS

Accel Audio Pedalboards, <https://www.accelaudio.com/pedalboards> (Last updated Mar. 20, 2019).

(Continued)

Primary Examiner — R. Johnson

(74) *Attorney, Agent, or Firm* — Lurman & Brandsdorfer, LLC

(57) **CLAIM**

The ornamental design for a riser, as shown and described.

DESCRIPTION

FIG. 1 is a front isometric view of for a riser showing our new design.

FIG. 2 is a front side elevational view of FIG. 1.

FIG. 3 is a back side elevational view of FIG. 1.

FIG. 4 is a left side elevational view of FIG. 1.

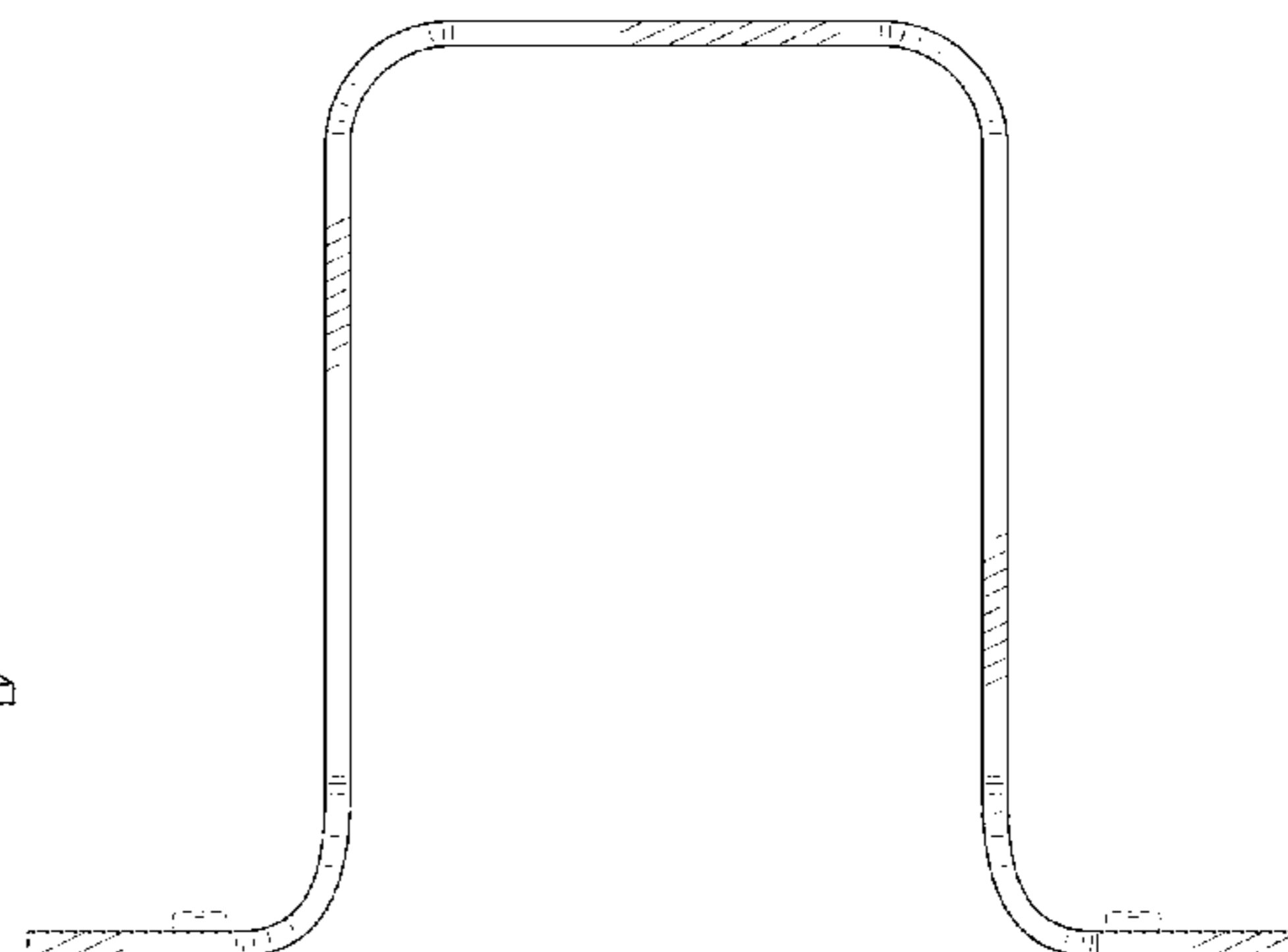
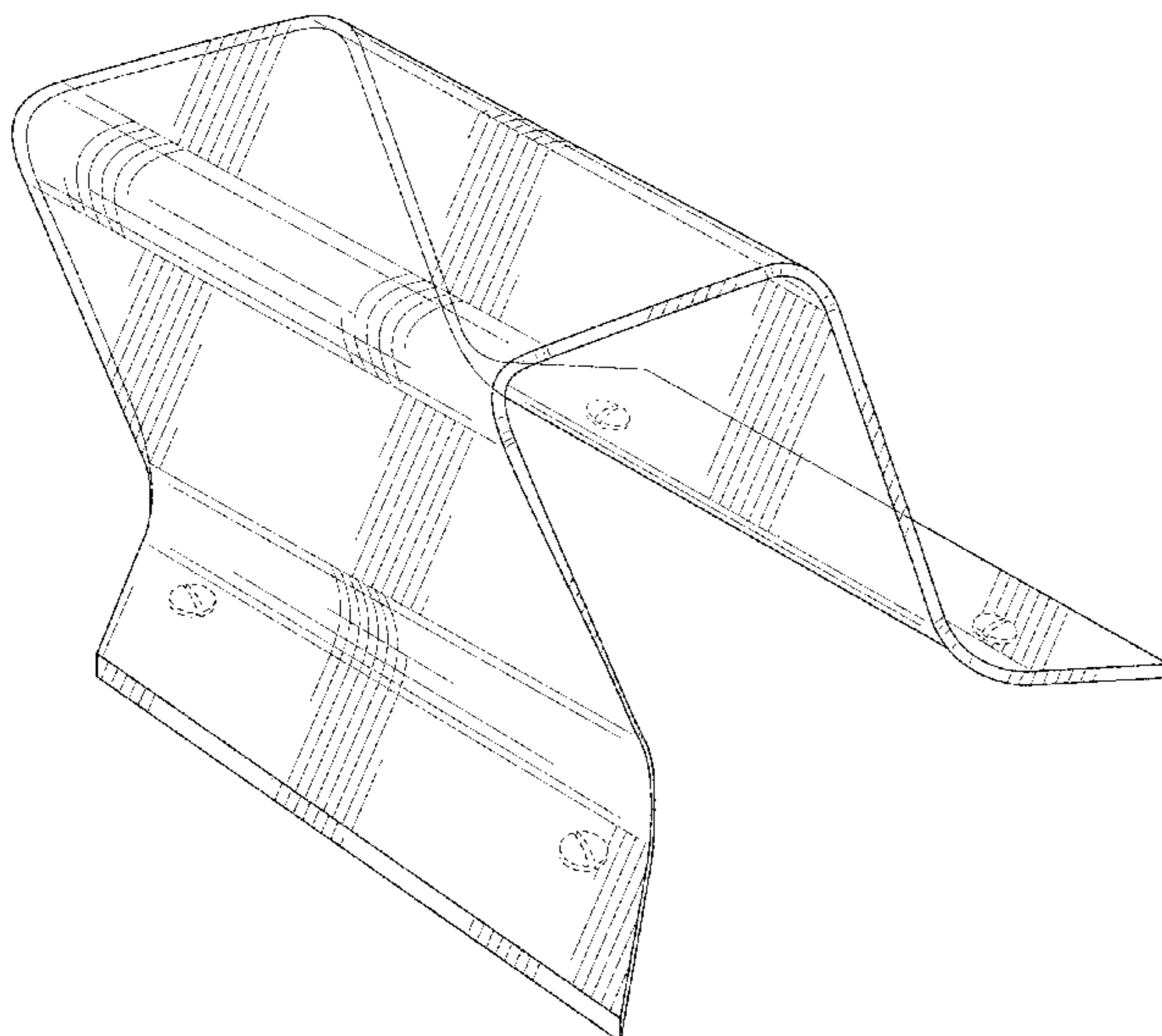
FIG. 5 is a right side elevational view of FIG. 1.

FIG. 6 is a top plan view of FIG. 1; and,

FIG. 7 is a bottom plan view of FIG. 1.

The features shown in broken lines in the drawings form no part of the claimed design.

1 Claim, 7 Drawing Sheets



(56)

References Cited

U.S. PATENT DOCUMENTS

D769,364 S	10/2016	Trifilio	
D781,954 S	3/2017	Wilfer	
9,620,094 B2	4/2017	Abbate	
9,691,369 B2	6/2017	Trifilio	
D792,503 S	7/2017	Helweg	
D795,334 S	8/2017	Kreifeldt et al.	
D815,682 S	4/2018	Trifilio et al.	
D820,904 S	6/2018	Fiden et al.	
9,997,149 B2	6/2018	Trifilio	
10,008,192 B2	6/2018	Kreifeldt et al.	
D821,851 S *	7/2018	Stahl	D8/382
D838,575 S	1/2019	Helweg	
10,204,609 B2	2/2019	Grifols	
D862,578 S	10/2019	Lackner et al.	
D862,579 S	10/2019	Lackner et al.	
D862,582 S	10/2019	Lackner et al.	
D862,583 S	10/2019	Lackner et al.	
D874,250 S *	2/2020	Stoops	D8/355
D901,404 S *	11/2020	Ice	D13/179
D907,692 S	1/2021	Wilfer et al.	
2004/0250673 A1	12/2004	Salerno	

OTHER PUBLICATIONS

Blackbird Pedalboards, 1224 Tolex Series with ATA Case, <https://blackbirdpedalboards.com/product/1224-tolex-series-with-ata-case/> (YouTube video dated Oct. 3, 2017).

Boss BCB-60 Pedalboard, <https://www.boss.info/us/products/bcb-60/> (Last updated Jan. 2019).

Creation Music Company Pedalboards, <https://creationmusiccompany.com/> (Last updated Jan. 2019).

HoleyBoard Pedalboard, <https://holeyboardpedalboards.com/> (YouTube video dated Apr. 24, 2020).

Pedaltrain Classic 2 with Tour Case, <https://pedaltrain.com/products/pt-cl2-tc> (Viewed on Feb. 22, 2019).

Salvage Custom Pedalboard, <https://reverb.com/item/5640617-salvage-custom-pedalboard> (Listed for Sale 2017).

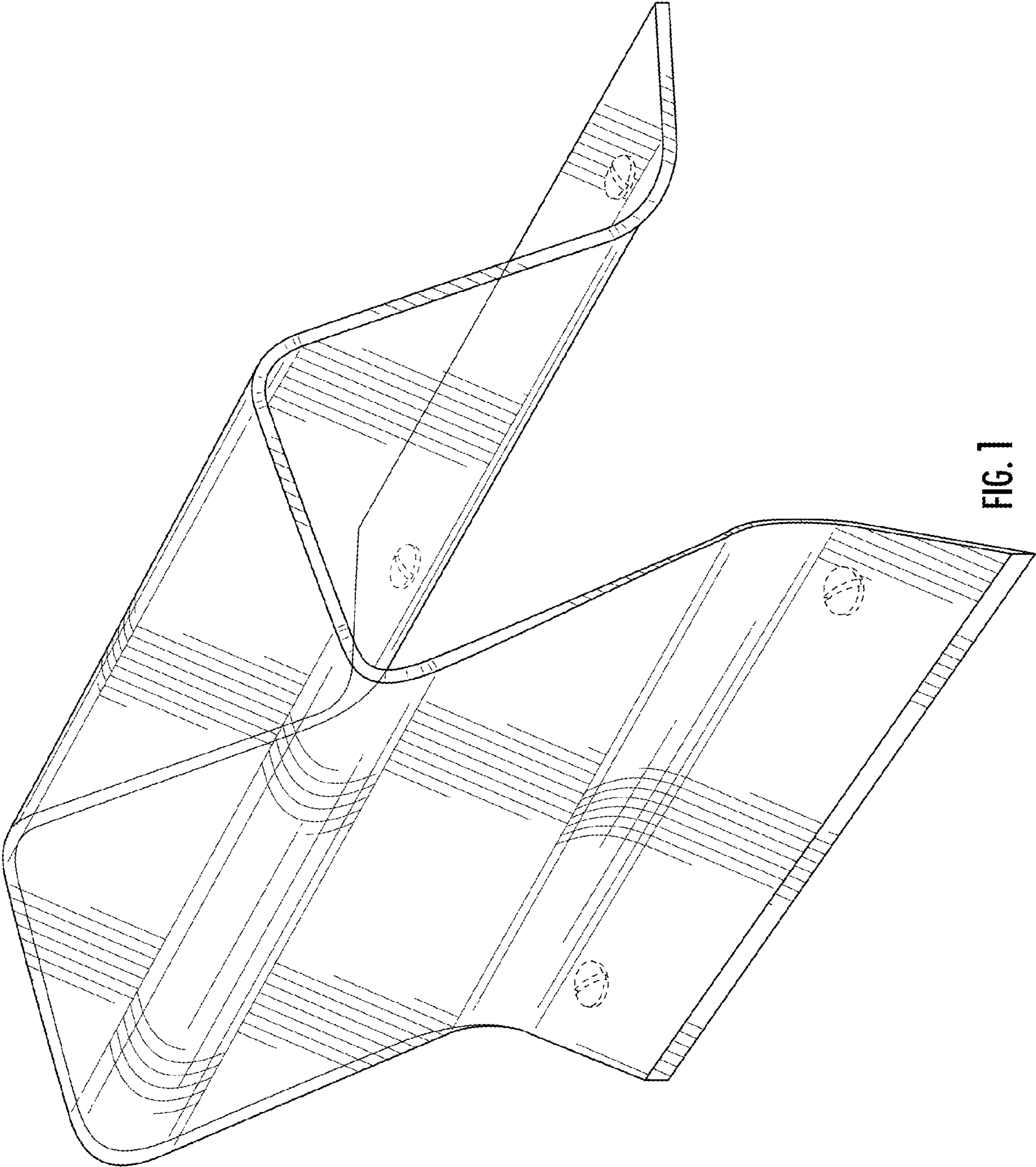
Schmidt Array Taurus Pedalboards, <https://www.schmidtarray.com/shop-6> (Last updated Dec. 2017).

Trailer Trash Pedalboards, <http://trailertrashpedalboards.com/the-boards> (Last updated Dec. 2019).

Voodoo Lab Dingbat Pedalboards, http://www.voodoolab.com/dingbat_landing.html (Last Updated Nov. 2019).

List of Patents or Applications Treated as Related, Jul. 2020.

* cited by examiner



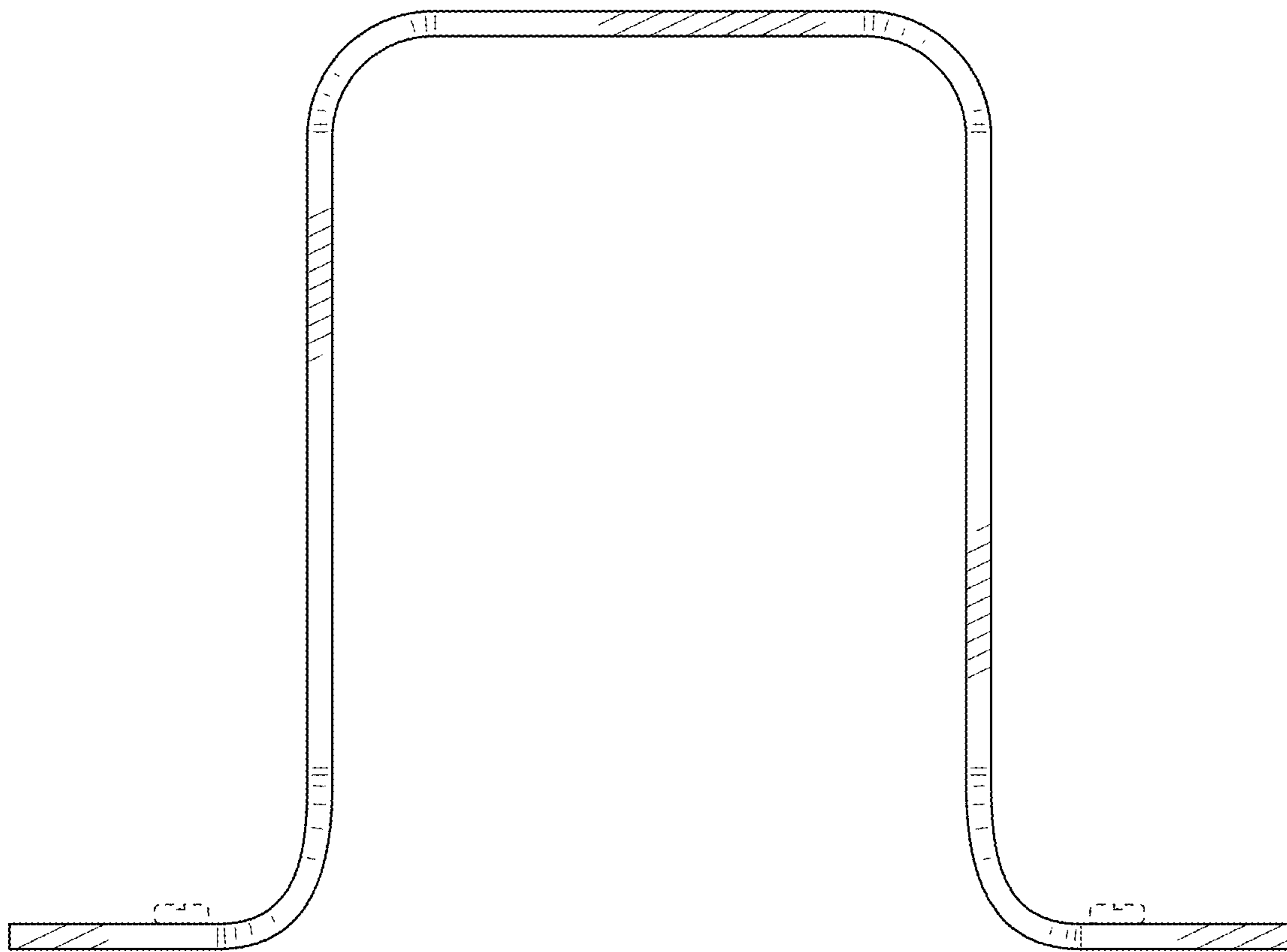


FIG. 2

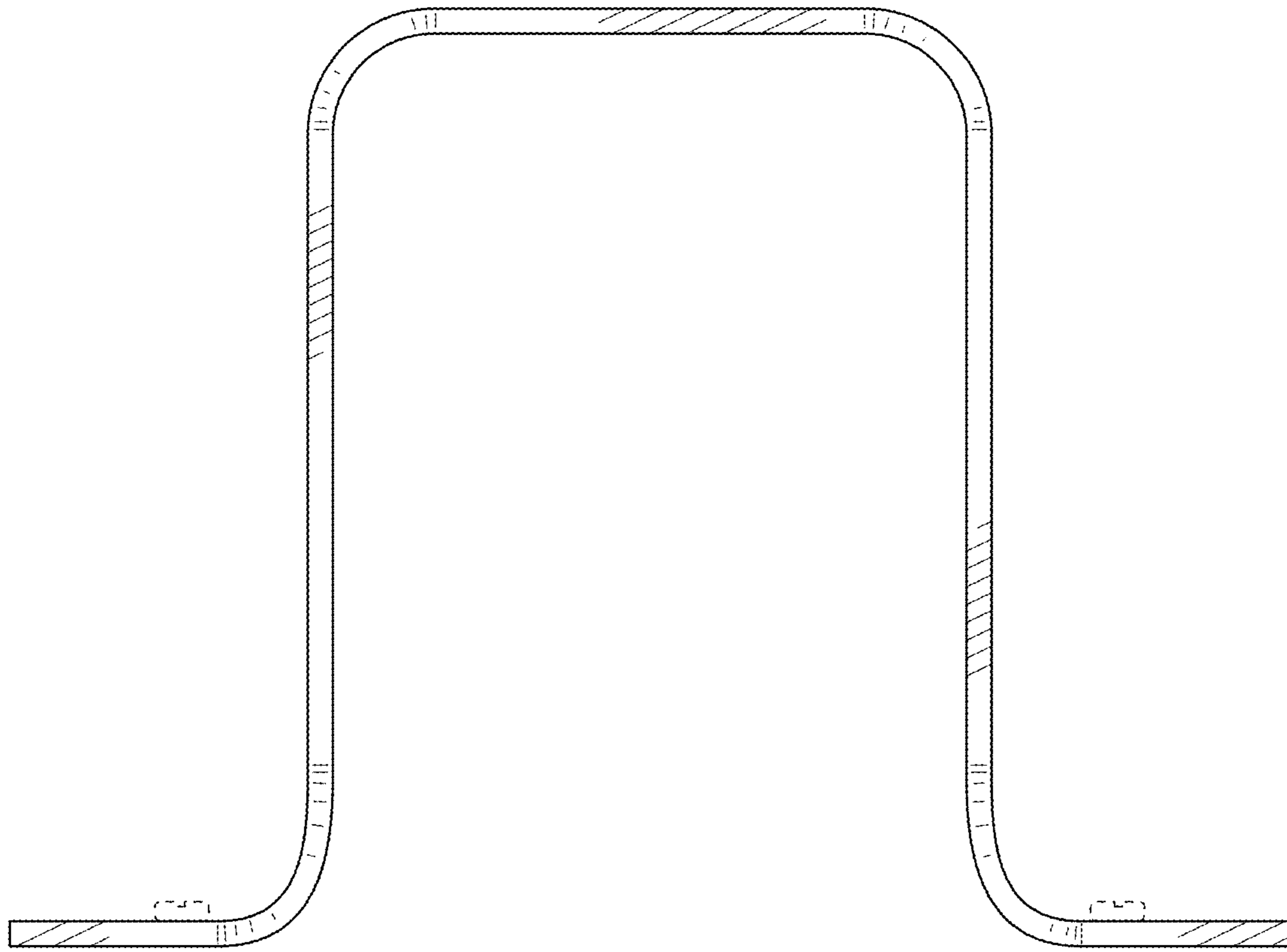


FIG. 3

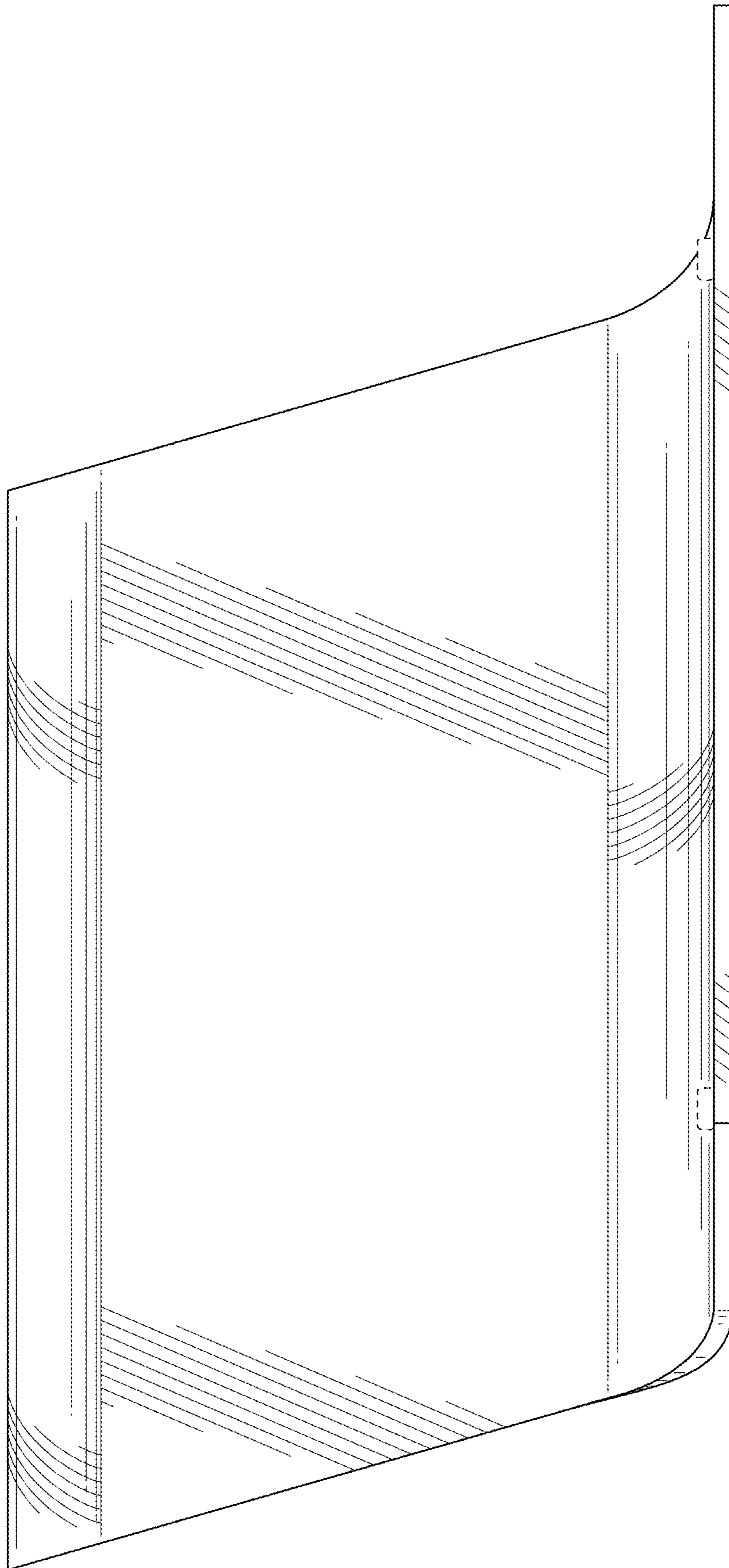


FIG. 4

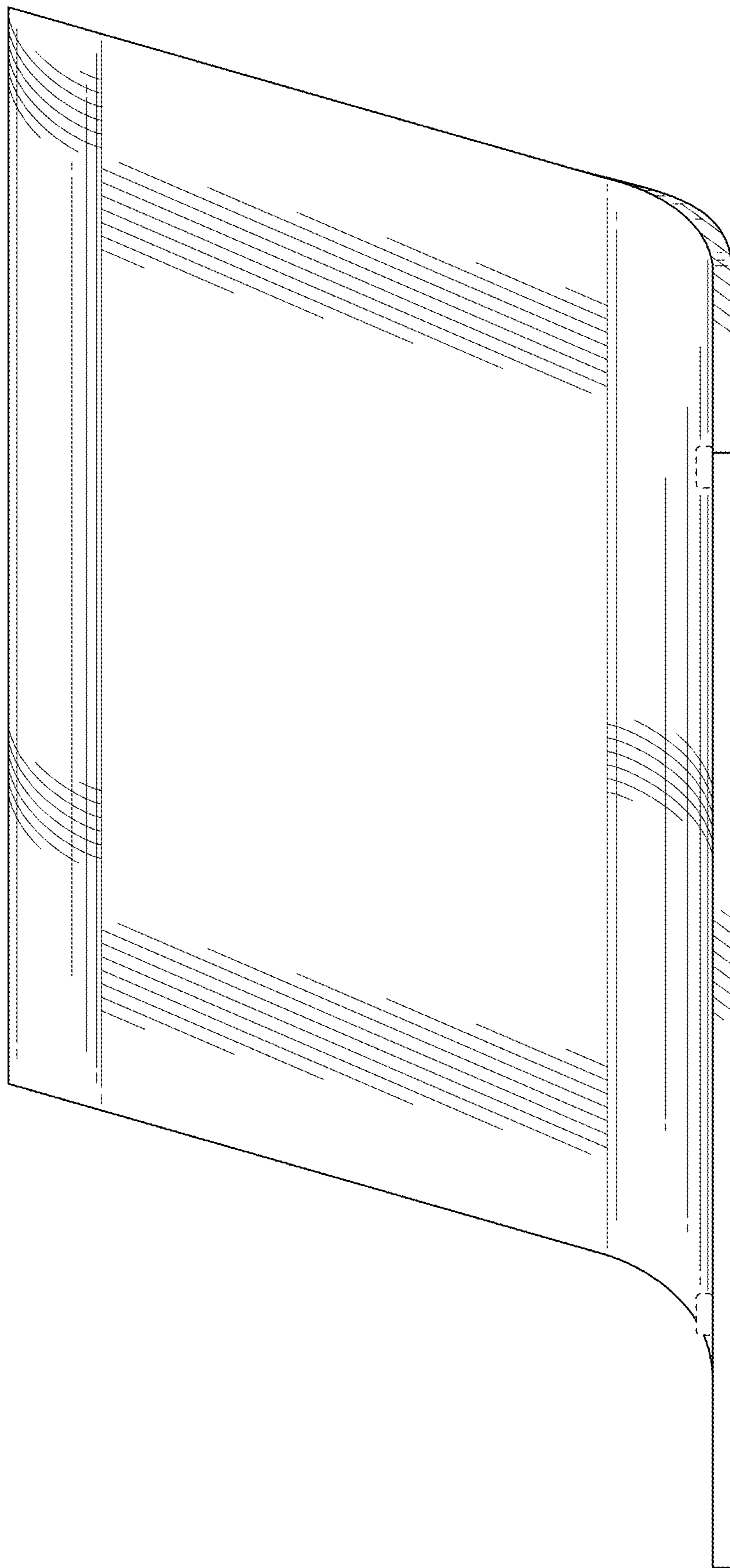


FIG. 5

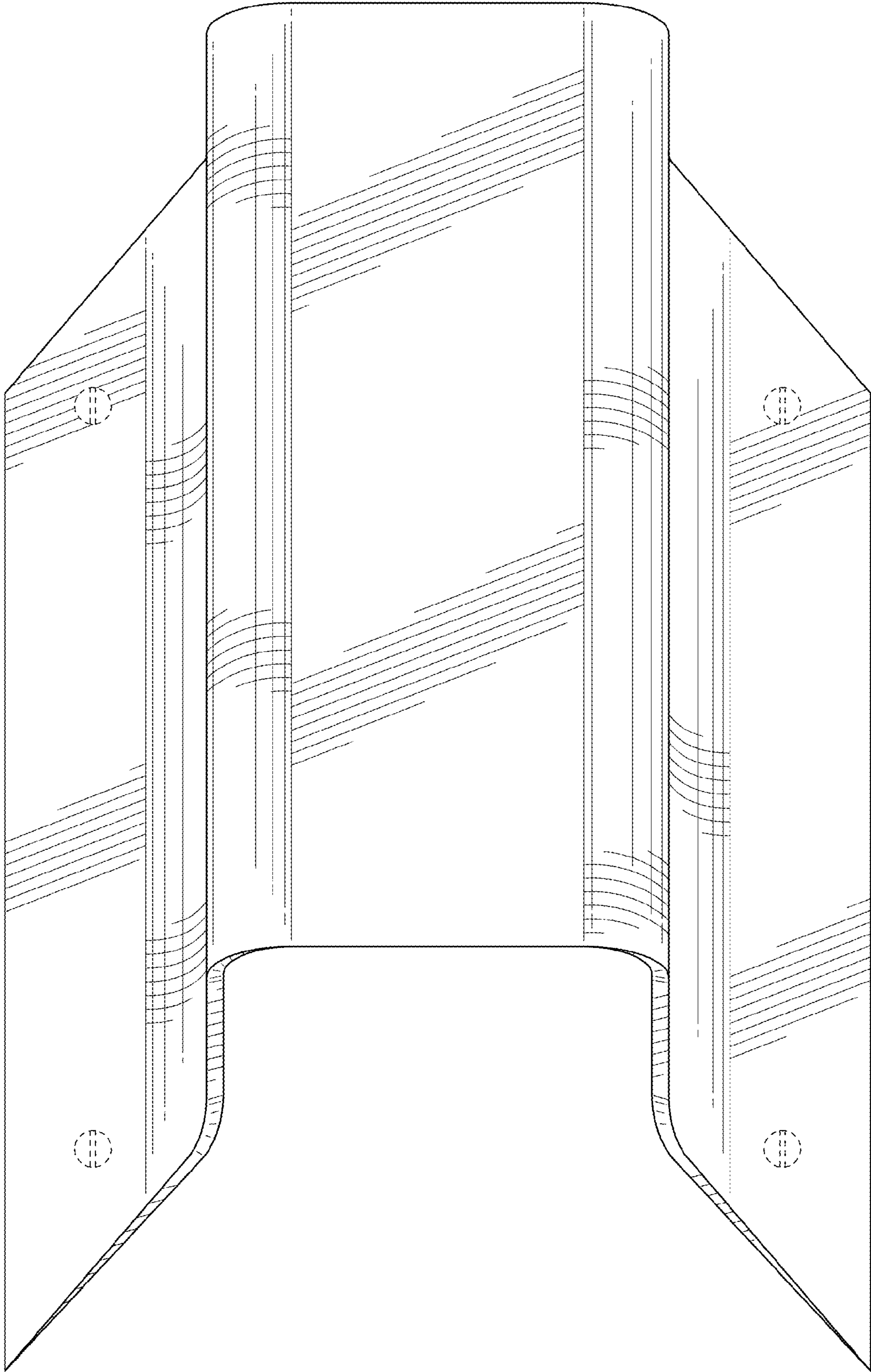


FIG. 6

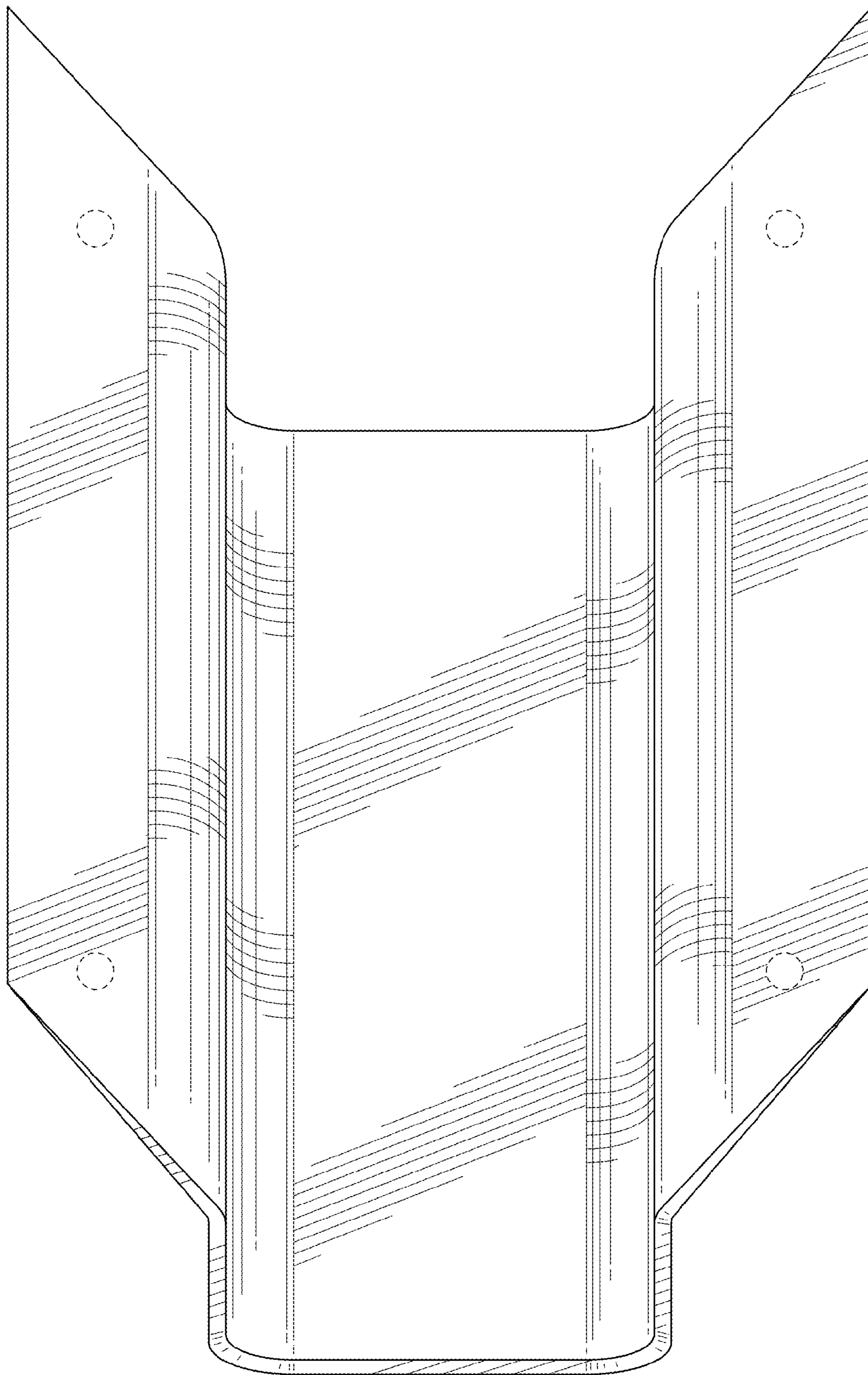


FIG. 7