



US00D970601S

(12) **United States Design Patent**
Gong

(10) **Patent No.:** **US D970,601 S**

(45) **Date of Patent:** **** Nov. 22, 2022**

(54) **SPORT GLASSES**

(71) Applicant: **Jiqiang Gong**, Xiamen (CN)

(72) Inventor: **Jiqiang Gong**, Xiamen (CN)

(**) Term: **15 Years**

(21) Appl. No.: **29/804,944**

(22) Filed: **Aug. 24, 2021**

(51) **LOC (13) Cl.** **16-06**

(52) **U.S. Cl.**
USPC **D16/325**

(58) **Field of Classification Search**
USPC D16/300, 303, 311–315, 320, 325–327,
D16/329
CPC G02C 5/008; G02C 5/08; G02C 7/10
See application file for complete search history.

(56) **References Cited**

U.S. PATENT DOCUMENTS

D231,948 S * 6/1974 Loughner D16/325
D321,701 S * 11/1991 Nomura D16/325
D683,786 S 6/2013 Miera

D683,787 S 6/2013 Miera
D694,312 S 11/2013 Mage
D694,313 S 11/2013 Mage
D700,930 S 3/2014 Earley
D846,626 S 4/2019 Ekbladh
D954,815 S * 6/2022 Sheldon D16/335

* cited by examiner

Primary Examiner — Maria J. Edwards

(74) *Attorney, Agent, or Firm* — Rumit Ranjit Kanakia

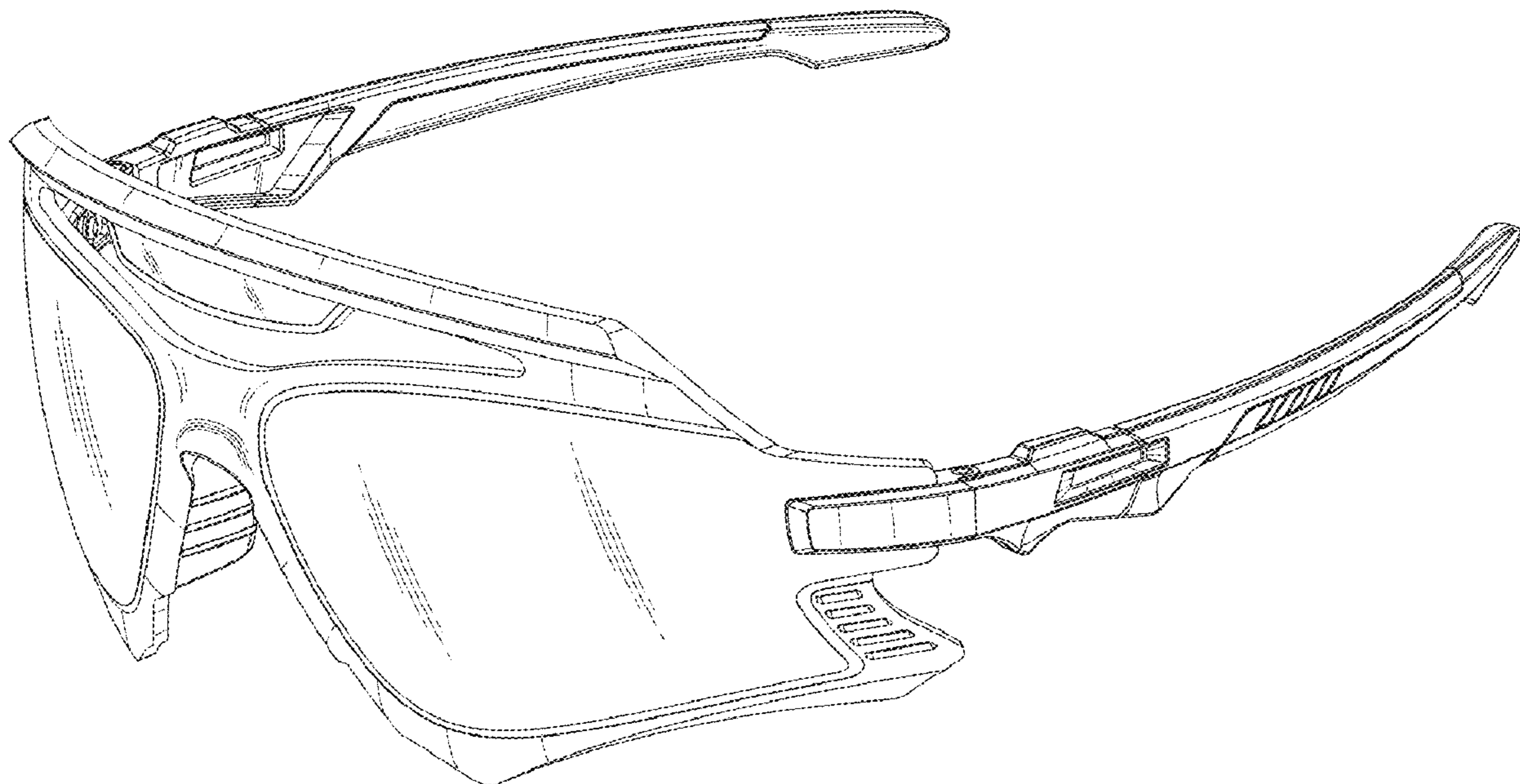
(57) **CLAIM**

I claim the ornamental design for sport glasses, as shown and described.

DESCRIPTION

FIG. 1 is a perspective view of sport glasses showing my design;
FIG. 2 is a Front view thereof;
FIG. 3 is a Back view thereof;
FIG. 4 is a Right-side view thereof;
FIG. 5 is a Left-side view thereof;
FIG. 6 is a Top view thereof; and,
FIG. 7 is a Bottom view thereof.

1 Claim, 7 Drawing Sheets



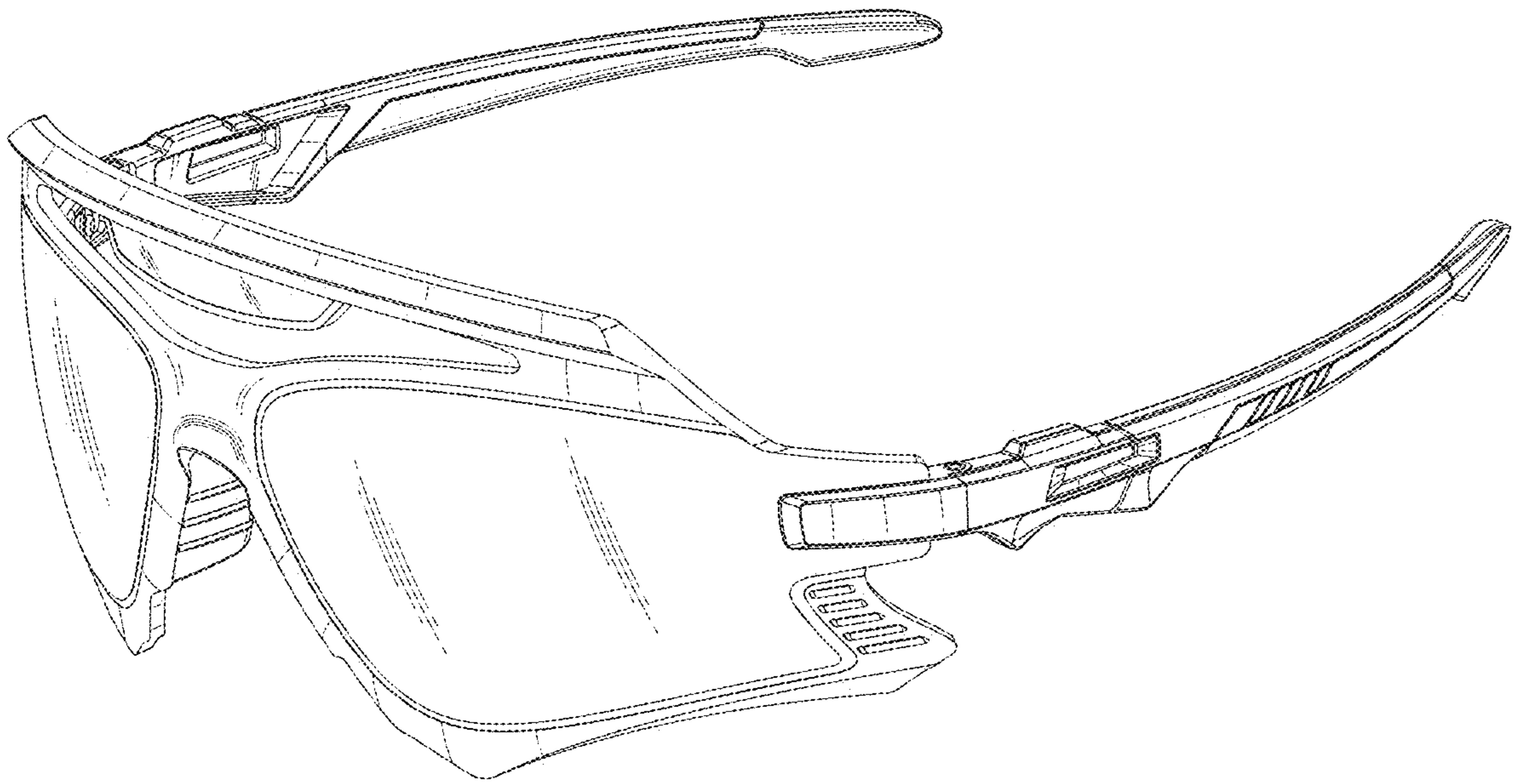


FIG.1

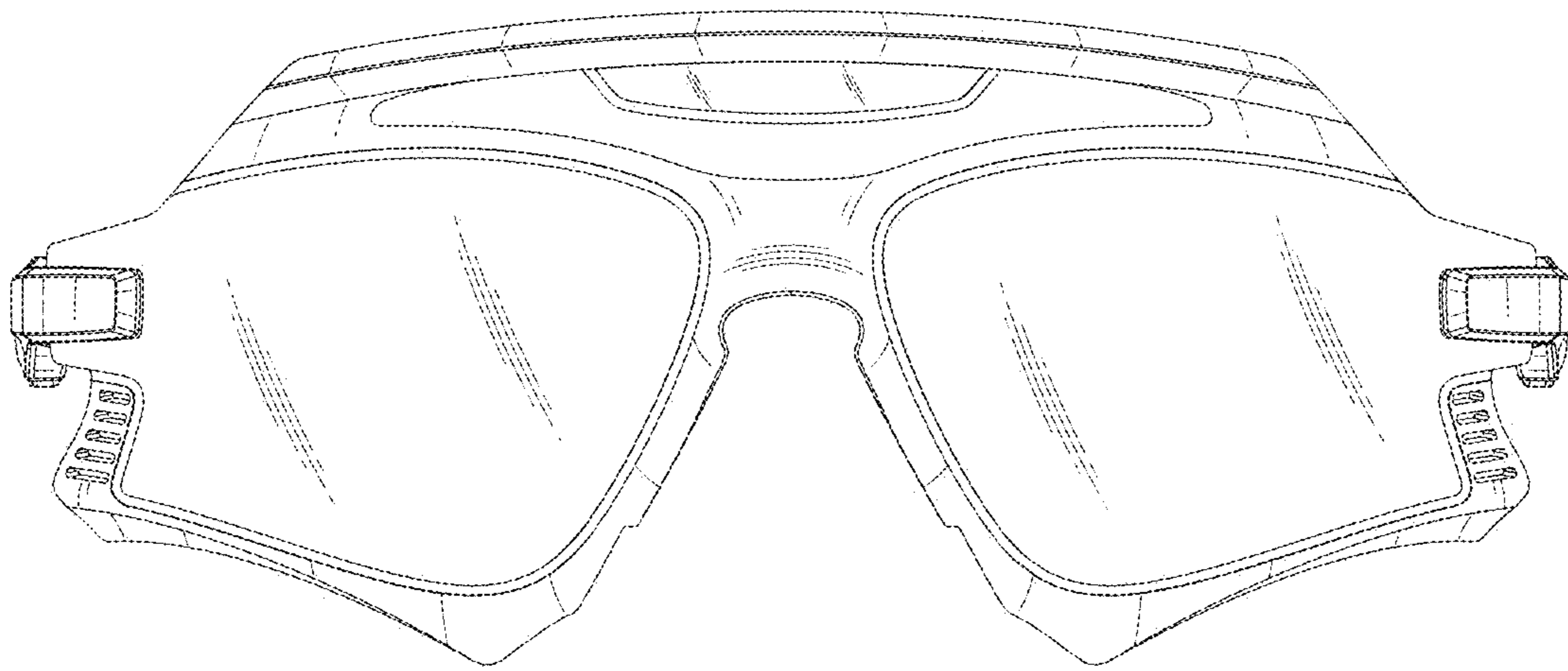


FIG.2

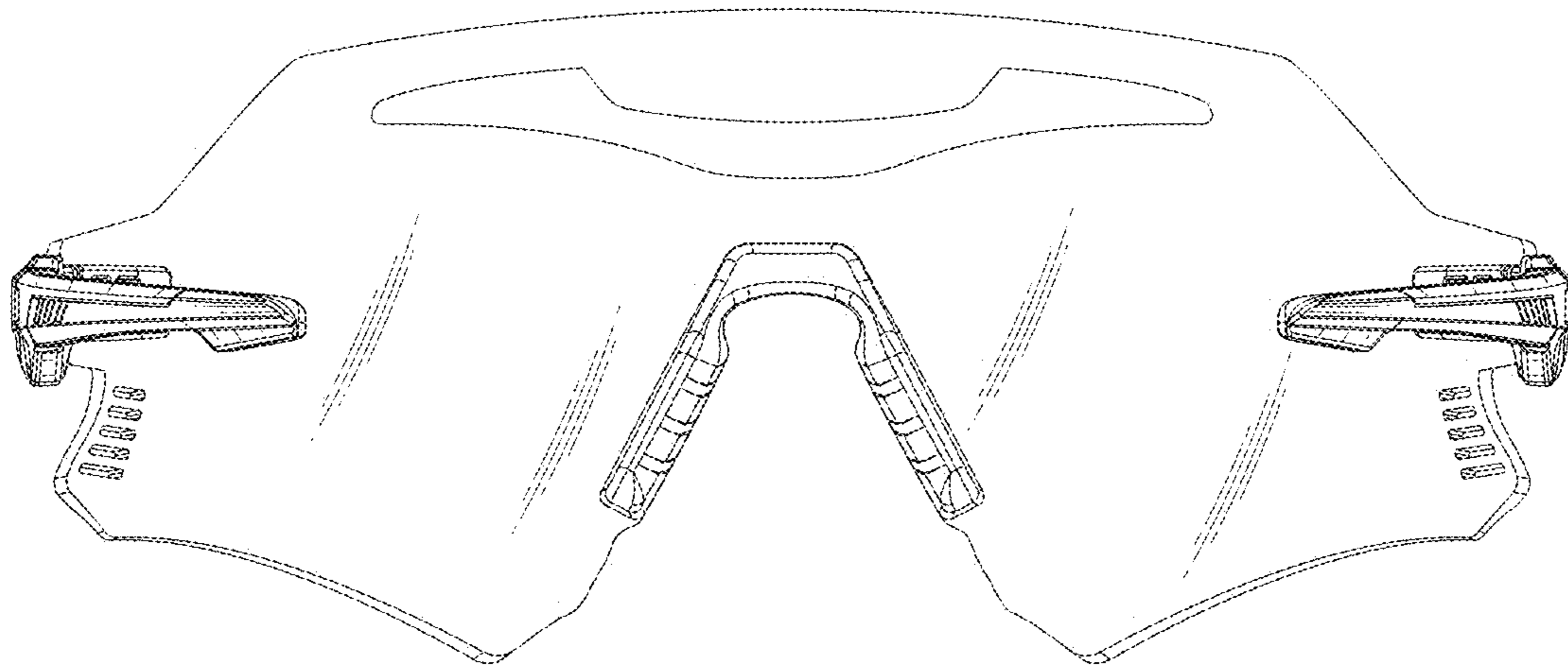


FIG.3

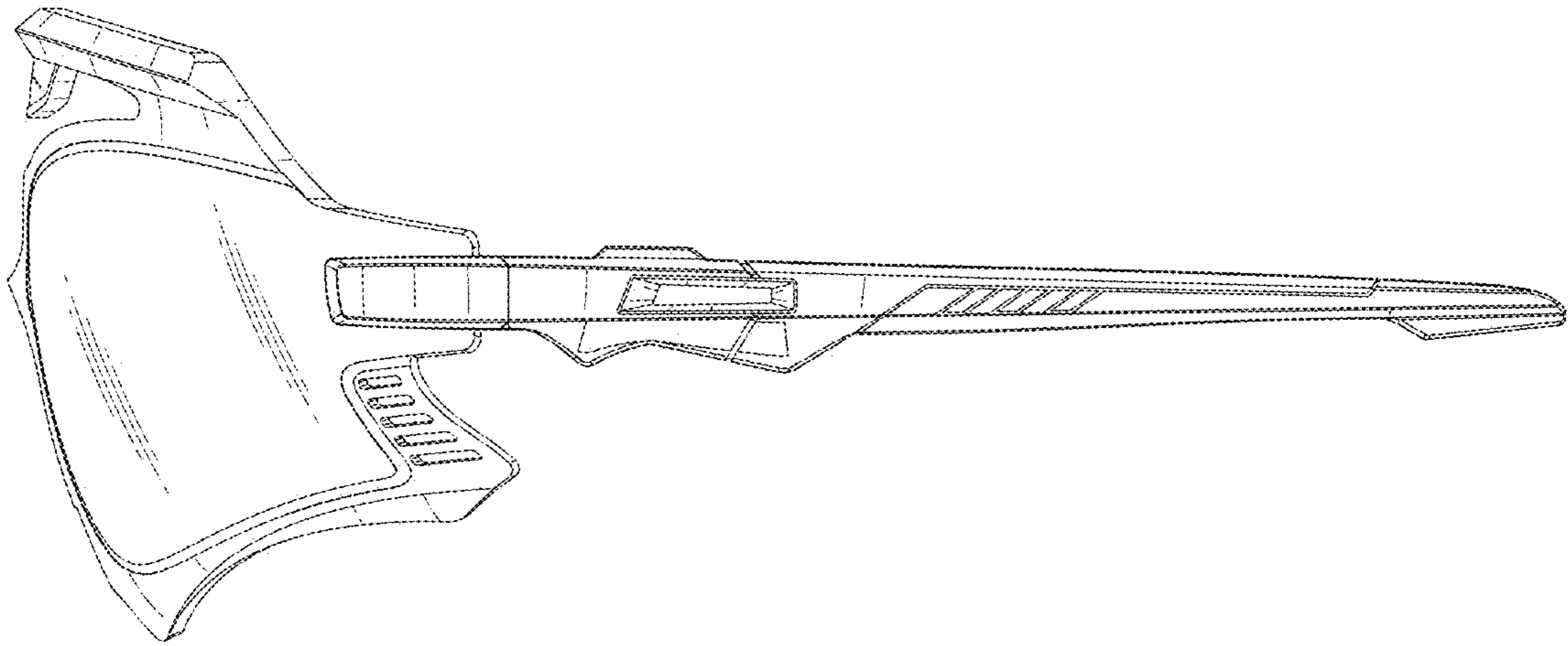


FIG.4

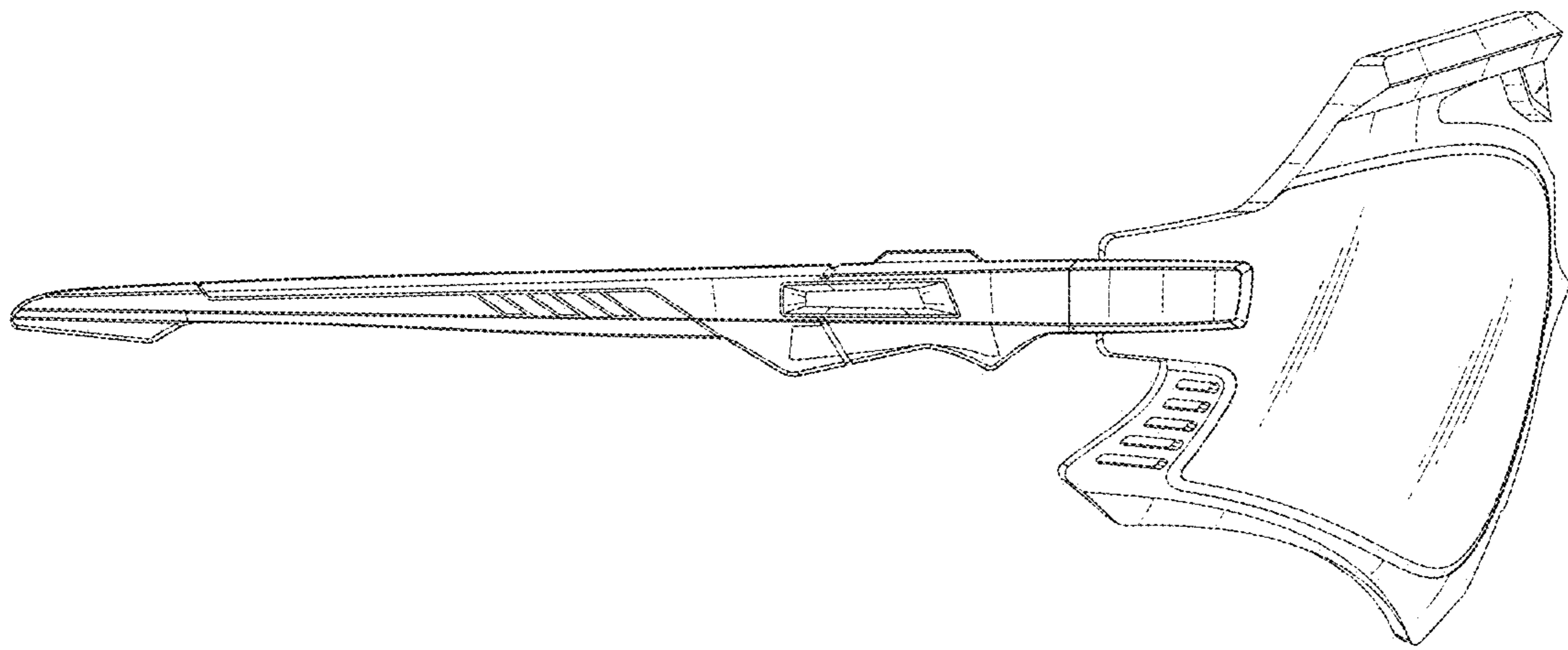


FIG.5

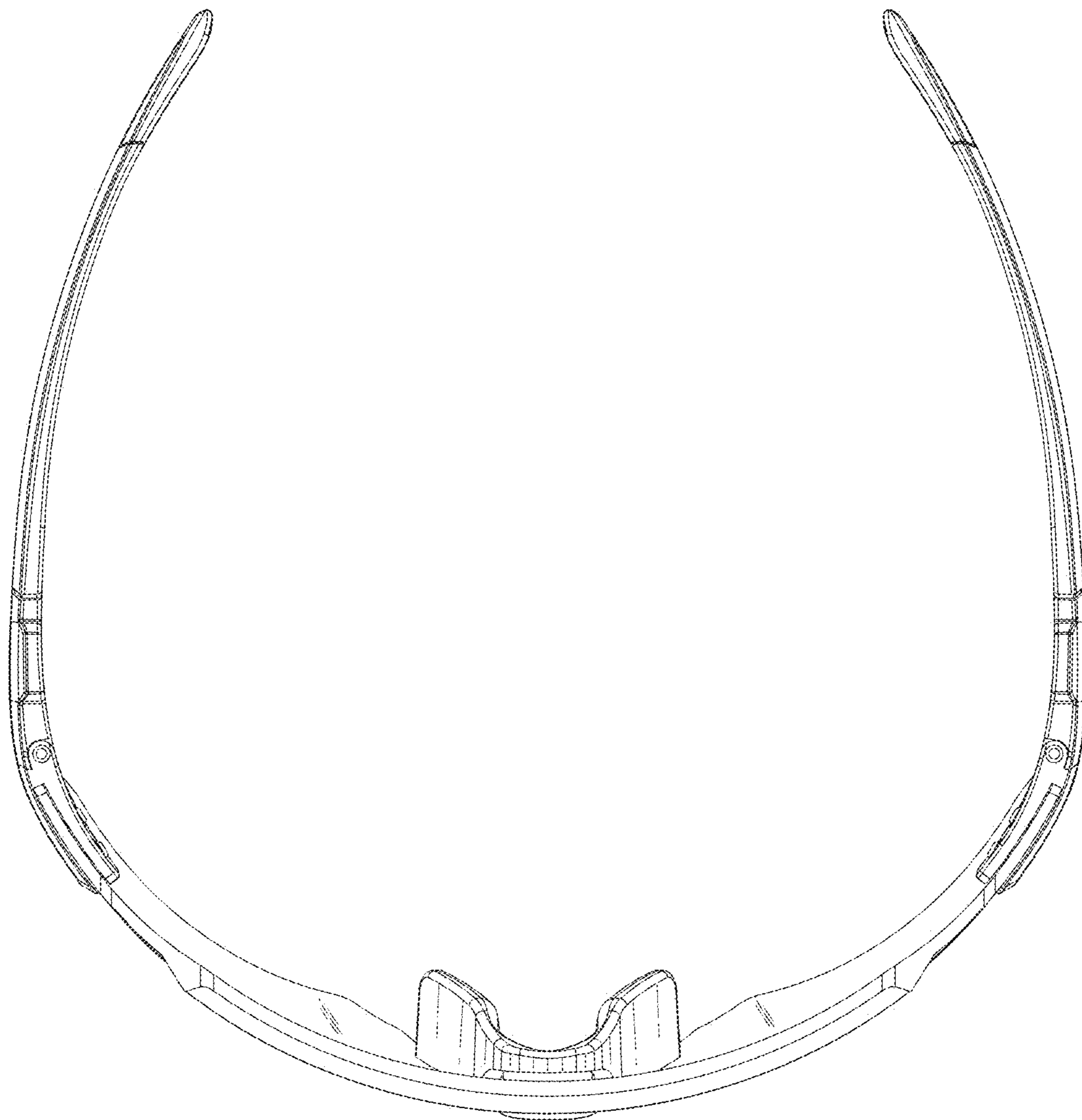


FIG.6

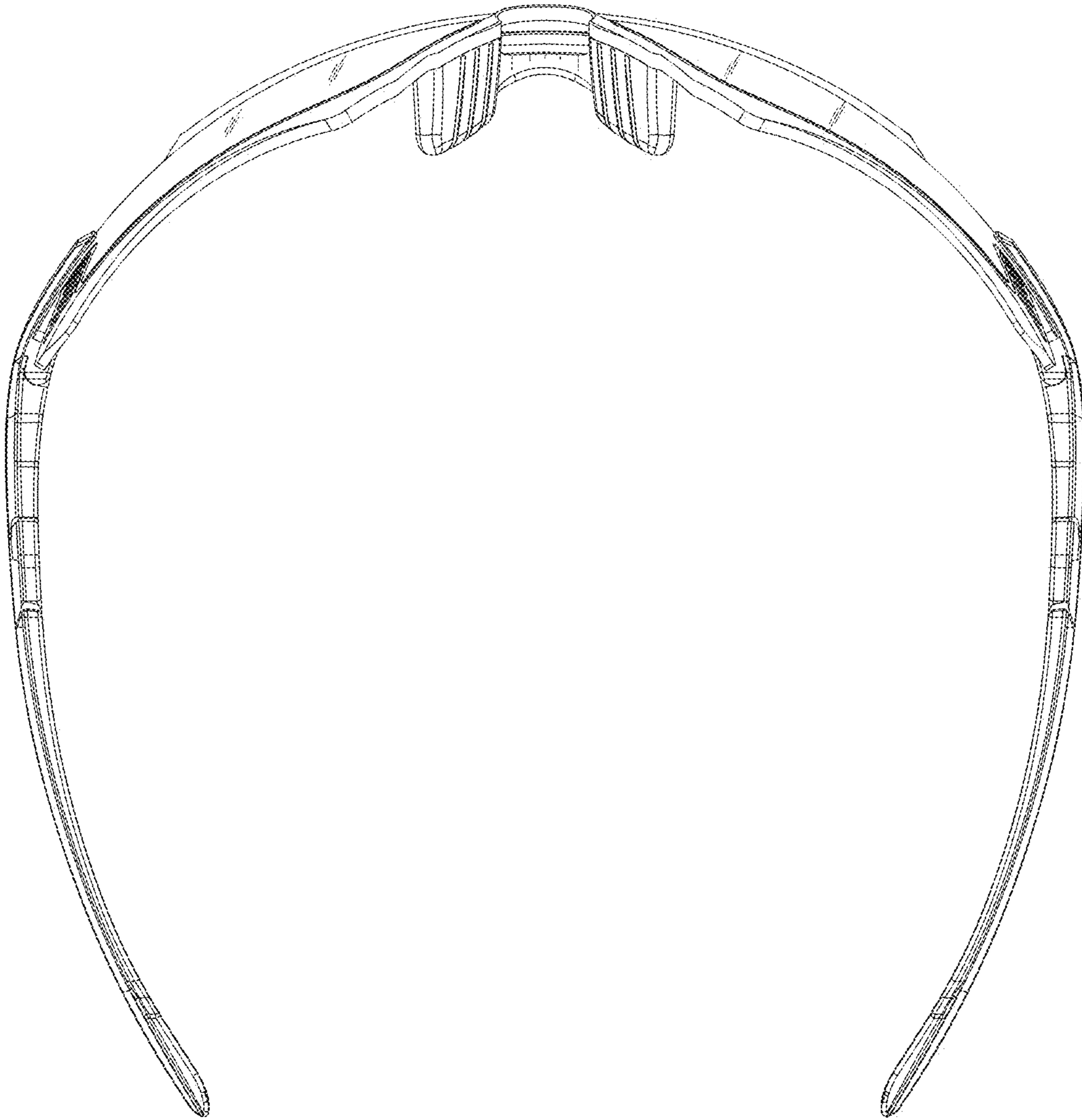


FIG.7