



US00D970600S

(12) **United States Design Patent**
Zhang

(10) **Patent No.:** **US D970,600 S**

(45) **Date of Patent:** **** Nov. 22, 2022**

(54) **SPORT SUNGLASSES**

(71) Applicant: **WENZHOU HONGTOU OUTDOOR PRODUCTS CO., LTD**, Wenzhou (CN)

(72) Inventor: **Yu Zhang**, Wenzhou (CN)

(73) Assignee: **WENZHOU HONGTOU OUTDOOR PRODUCTS CO., LTD**, Wenzhou (CN)

(**) Term: **15 Years**

(21) Appl. No.: **29/814,740**

(22) Filed: **Nov. 9, 2021**

(51) **LOC (13) Cl.** **16-06**

(52) **U.S. Cl.**
USPC **D16/314**

(58) **Field of Classification Search**
USPC D16/300, 303, 311–315, 320, 325–327, D16/329
CPC G02C 5/008; G02C 5/08; G02C 7/10
See application file for complete search history.

(56) **References Cited**

U.S. PATENT DOCUMENTS

D331,765 S * 12/1992 Canavan D16/314
D342,535 S * 12/1993 Duffie D16/315

D342,958 S * 1/1994 Canavan D16/315
D354,068 S * 1/1995 Canavan D16/313
D362,011 S * 9/1995 Kolentsi D16/315
D400,906 S * 11/1998 Huang D16/315
D686,651 S 7/2013 Glassco
D697,130 S 1/2014 Lövgren
D910,741 S * 2/2021 Deyue D16/314
D954,800 S * 6/2022 Liao D16/314
D961,660 S * 8/2022 Miao D16/314

* cited by examiner

Primary Examiner — Maria J. Edwards

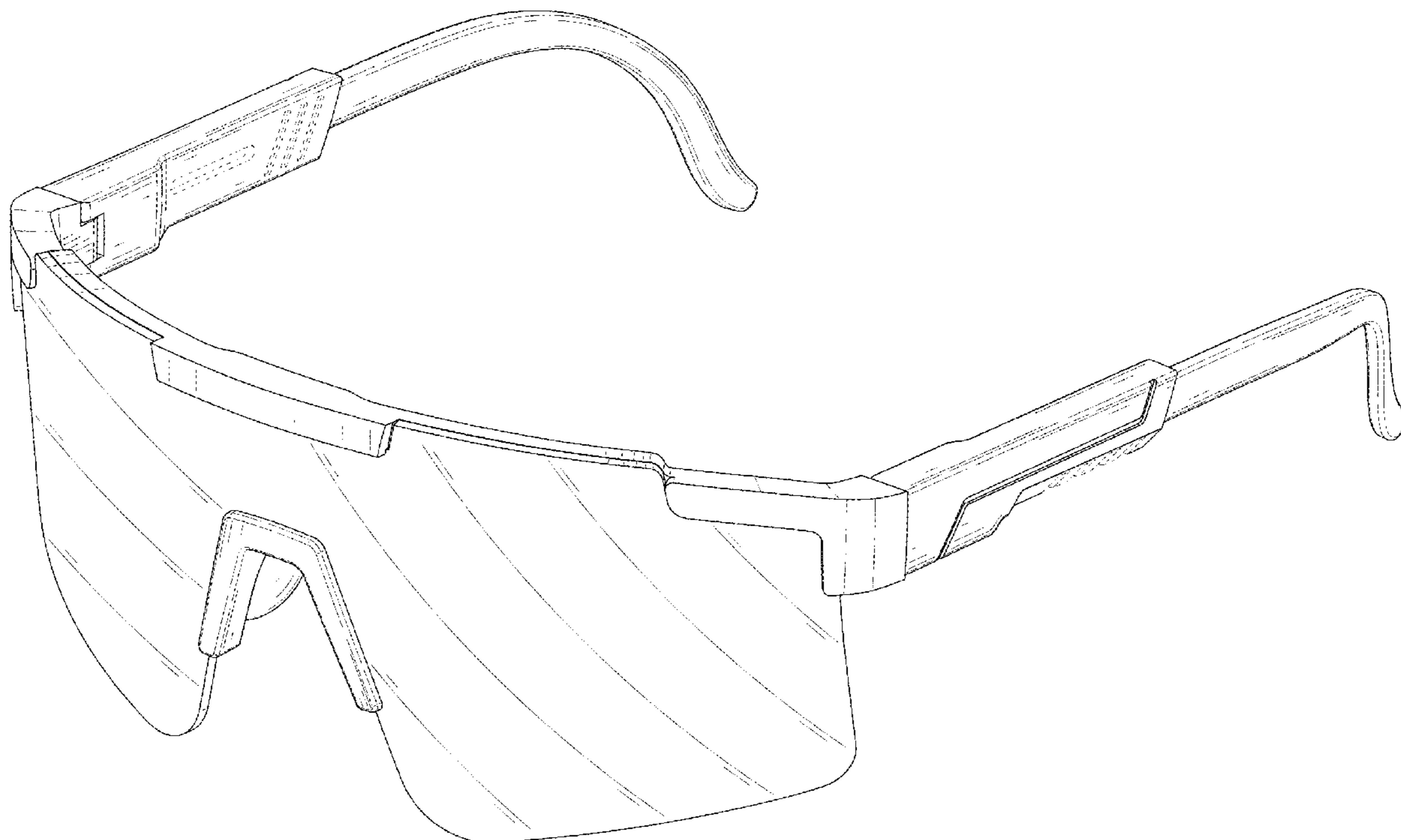
(57) **CLAIM**

The ornamental design for sport sunglasses, as shown and described.

DESCRIPTION

FIG. 1 is a perspective view of sport sunglasses showing my new design;
FIG. 2 is another perspective view thereof;
FIG. 3 is a front elevational view thereof;
FIG. 4 is a rear elevational view thereof;
FIG. 5 is a left side elevational view thereof;
FIG. 6 is a right side elevational view thereof;
FIG. 7 is a top plan view thereof; and,
FIG. 8 is a bottom plan view thereof.
The broken lines in the drawings depict portions of the sport sunglasses that form no part of the claimed design.

1 Claim, 8 Drawing Sheets



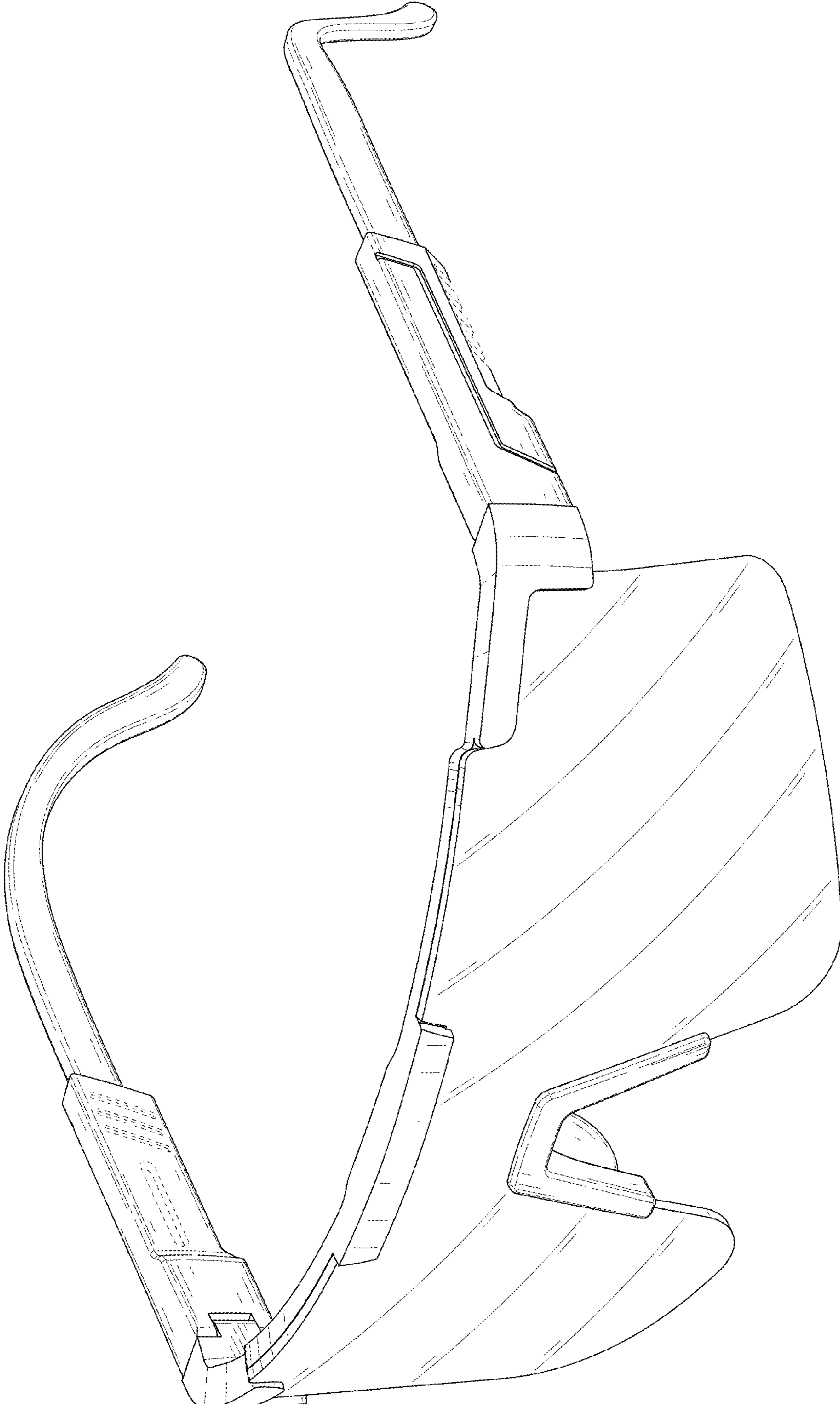


FIG. 1

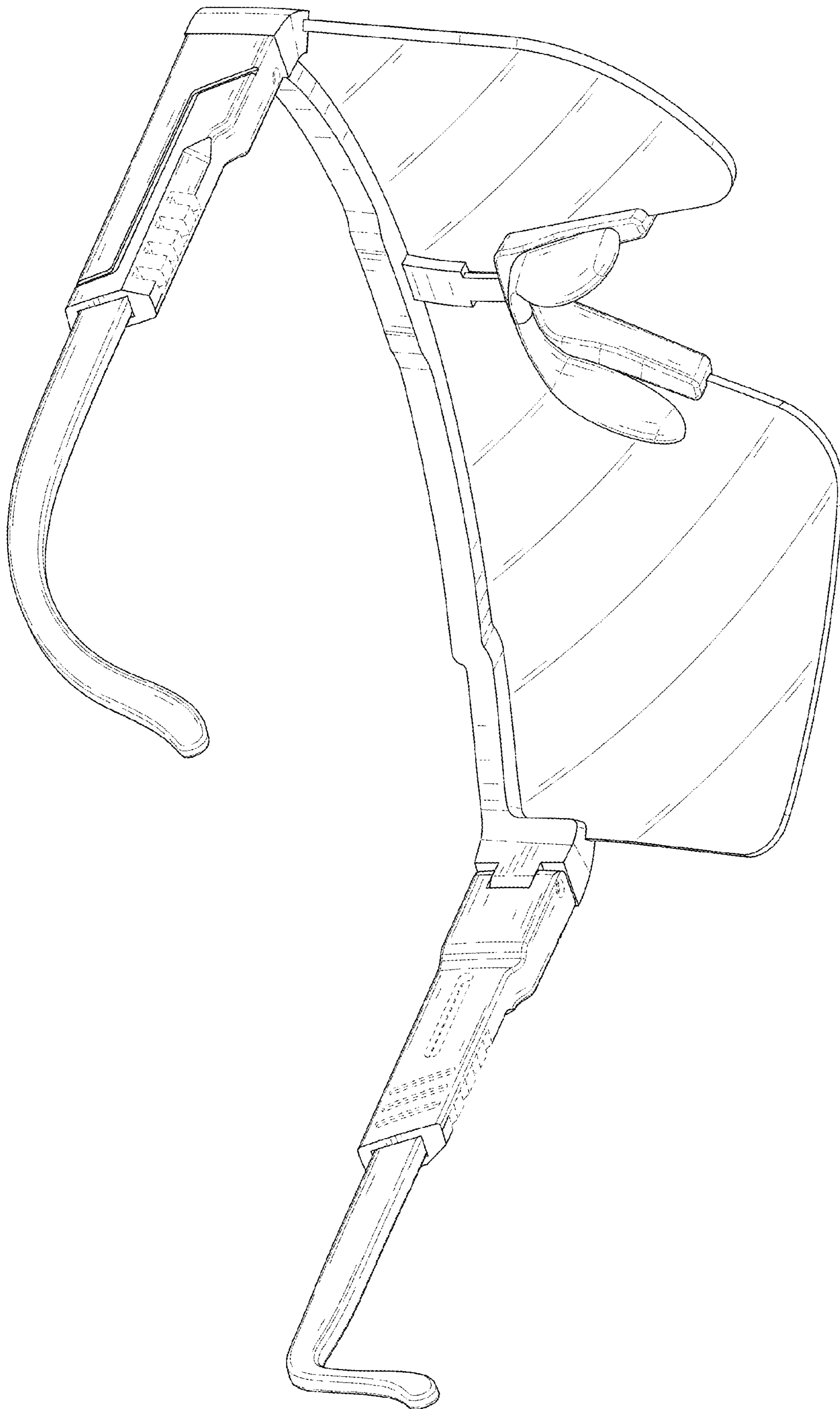


FIG. 2

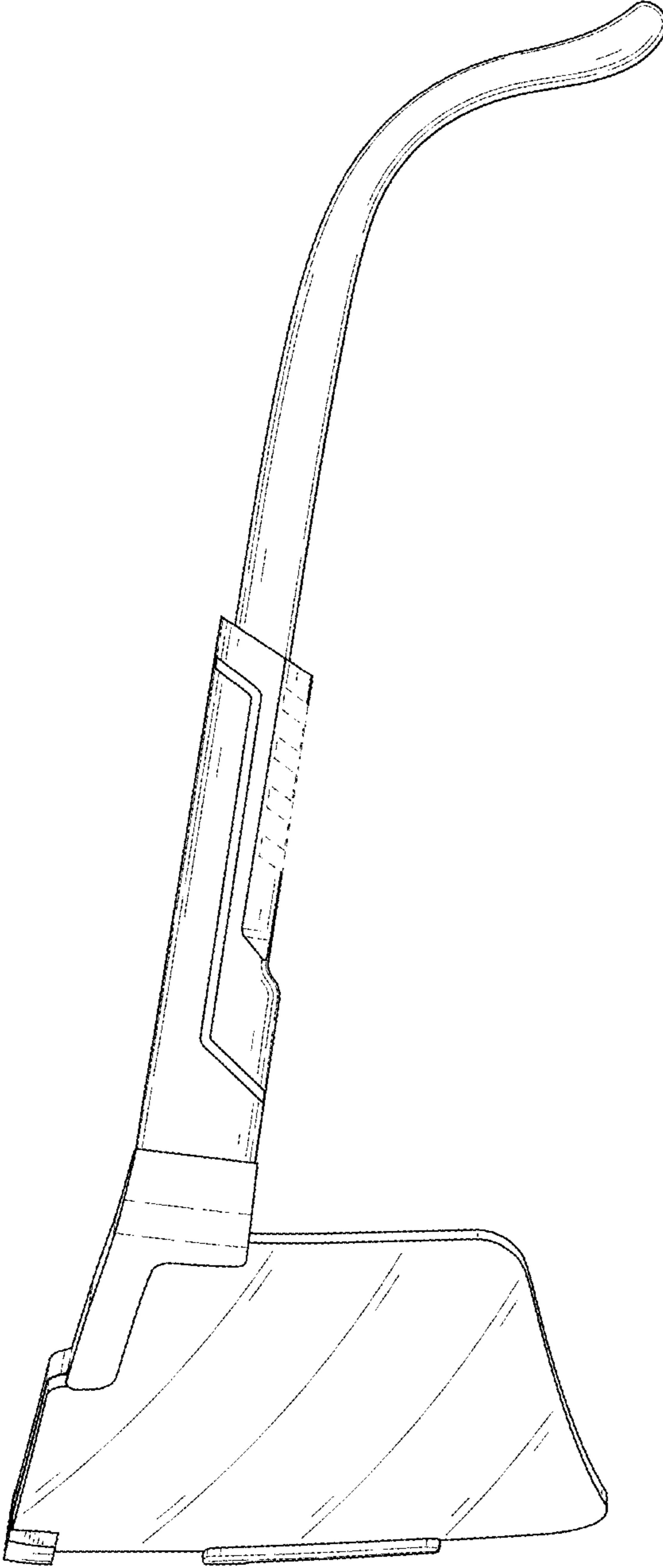


FIG. 3

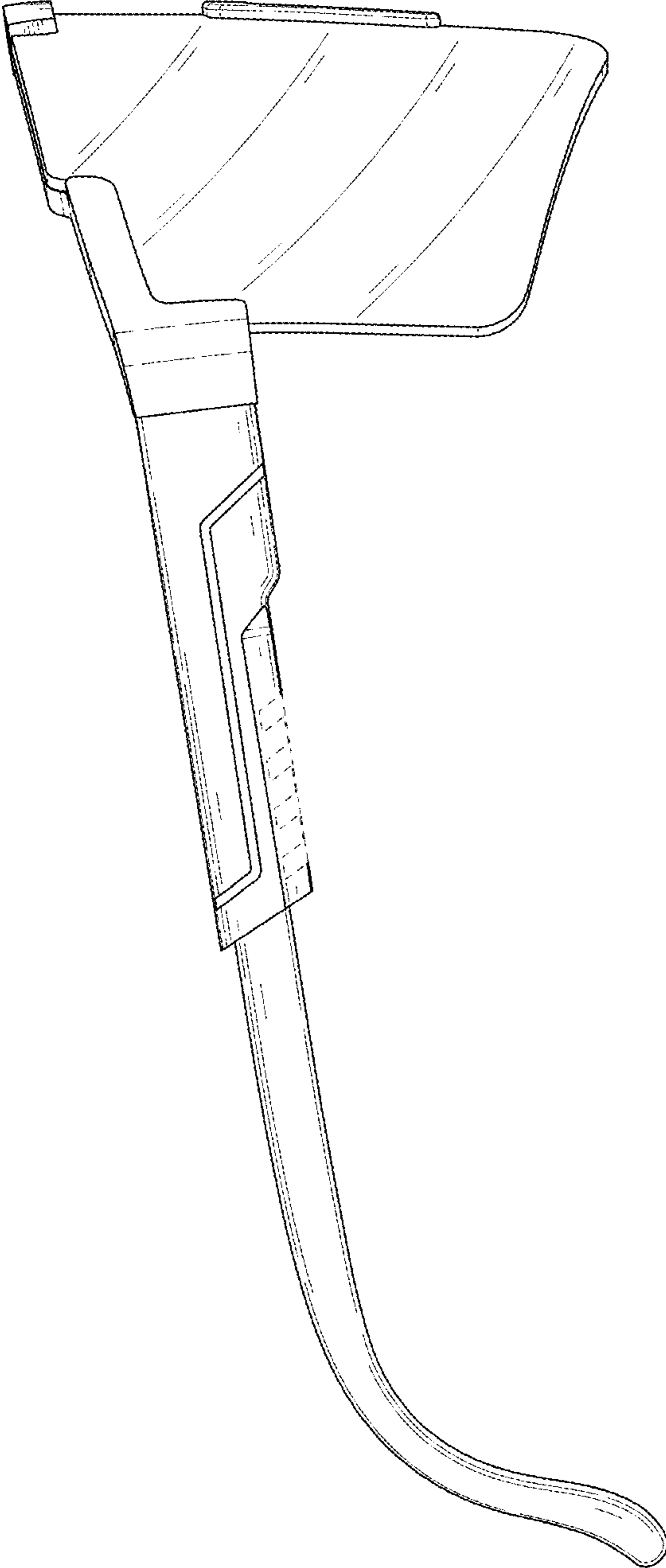


FIG. 4

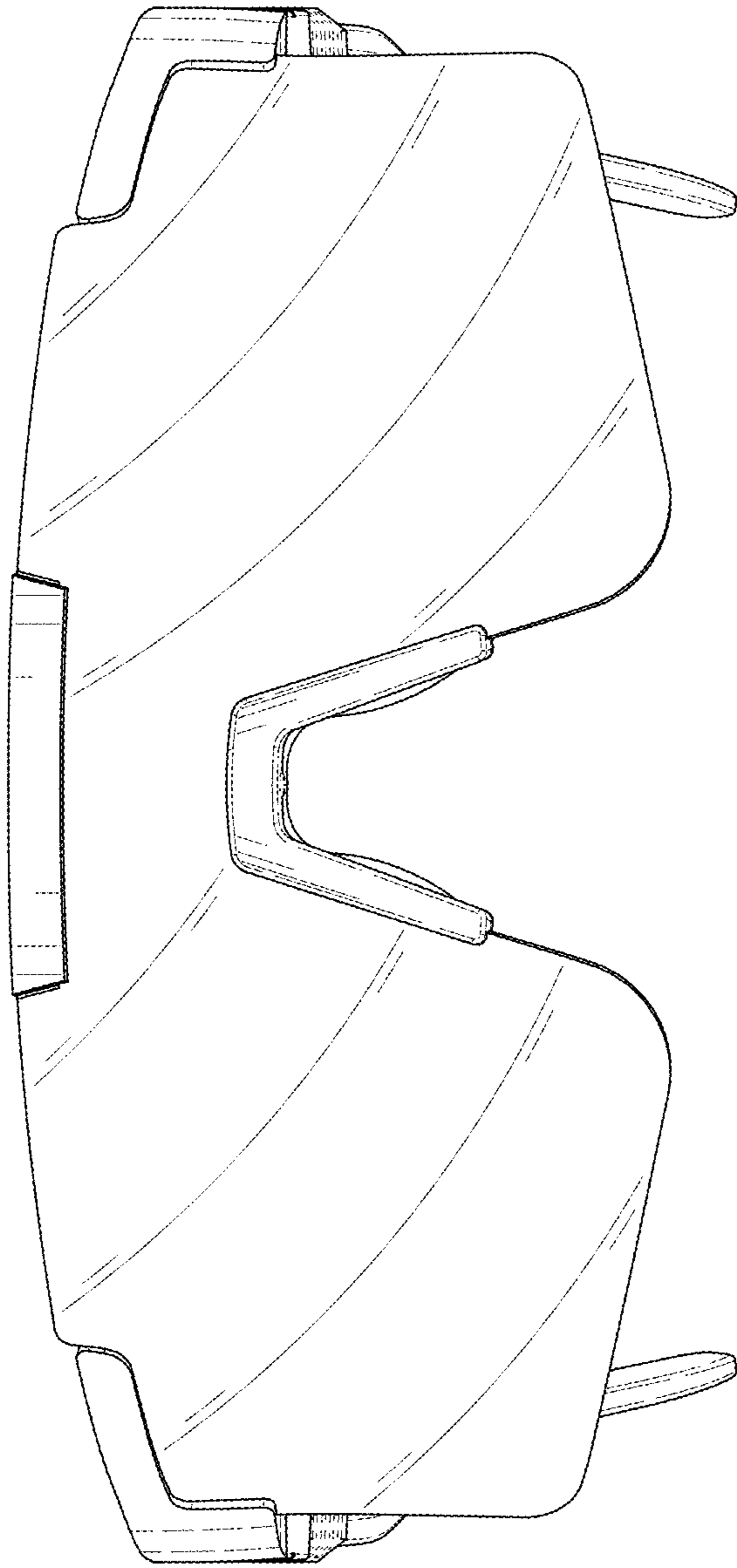


FIG. 5

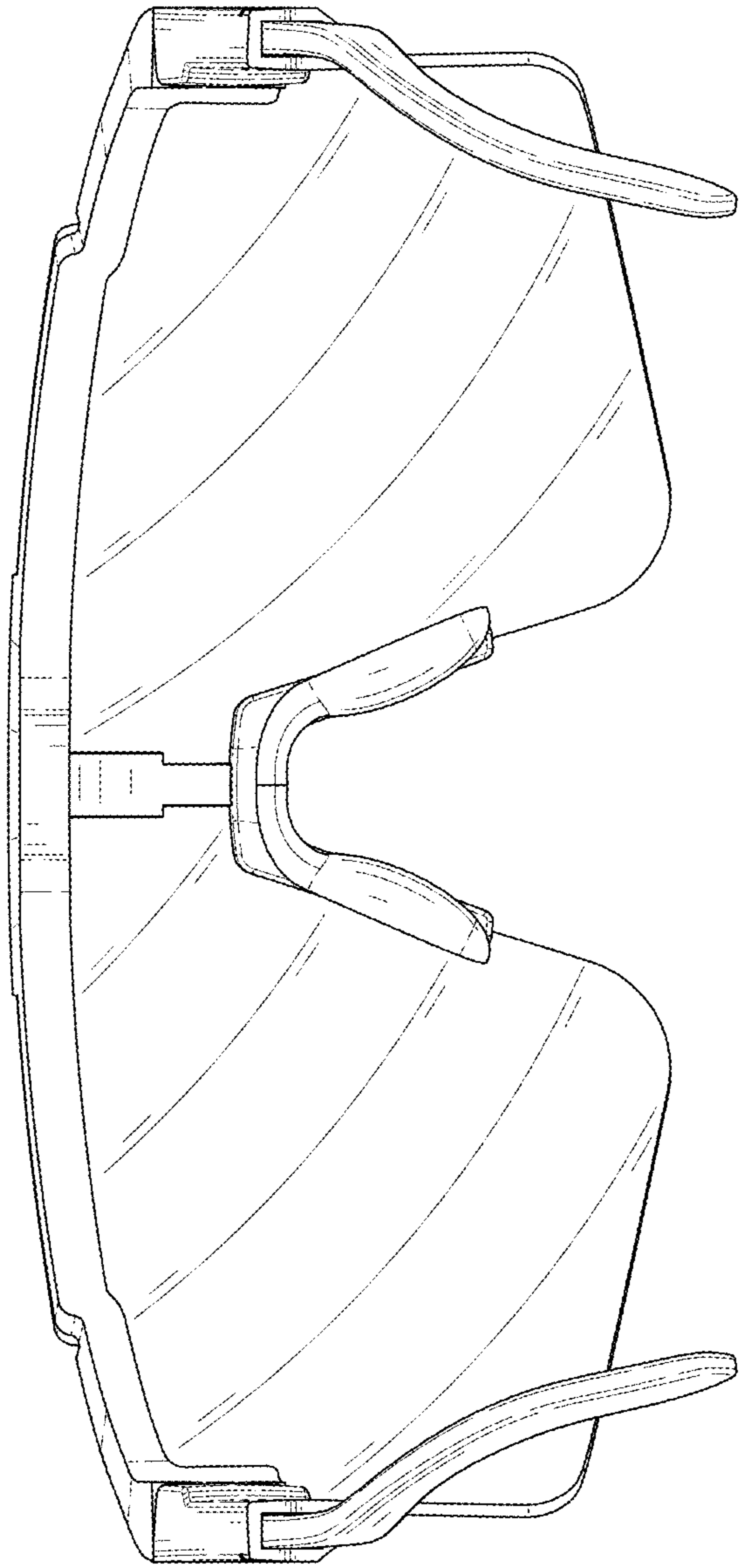


FIG. 6

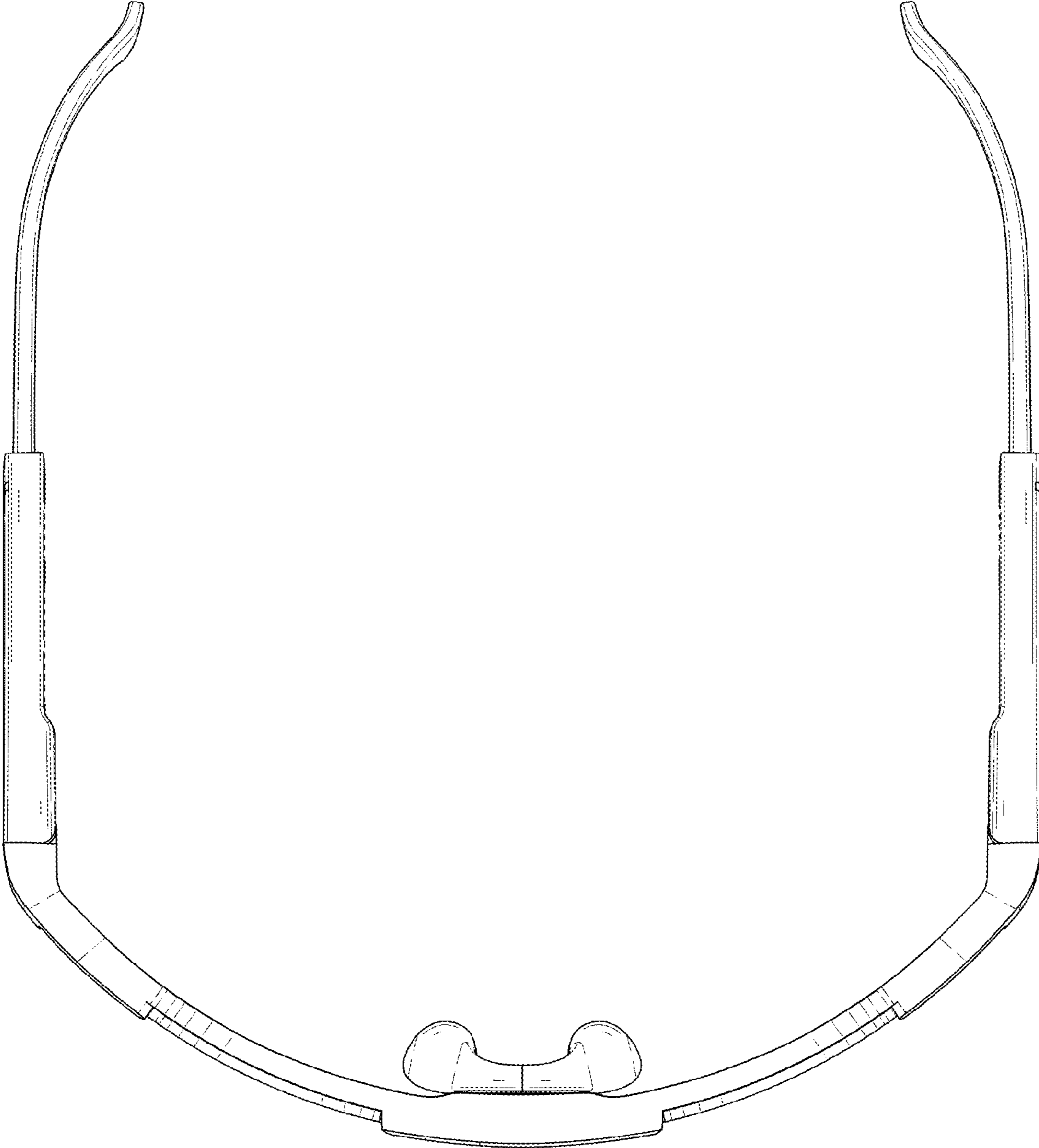


FIG. 7

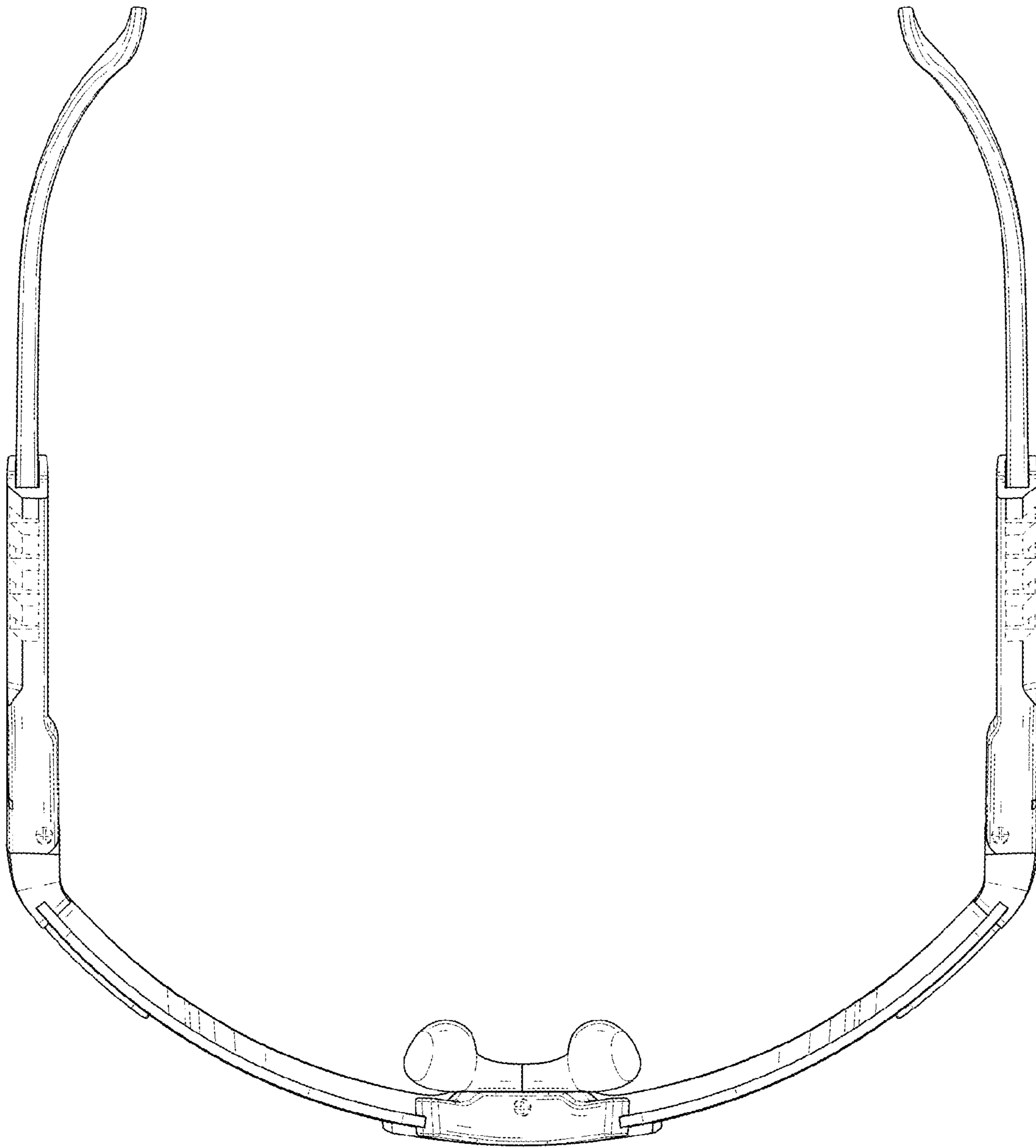


FIG. 8