



US00D970598S

(12) **United States Design Patent**
Zhu

(10) **Patent No.:** **US D970,598 S**

(45) **Date of Patent:** **** Nov. 22, 2022**

(54) **T-SHAPE BACKDROP STAND KIT**

(71) Applicant: **Shaoxing Shangyu Scenery Outdoor Products Co., Ltd., Shaoxing (CN)**

(72) Inventor: **Chaofeng Zhu, Shangqiu (CN)**

(**) Term: **15 Years**

(21) Appl. No.: **29/842,062**

(22) Filed: **Jun. 10, 2022**

(51) **LOC (13) Cl.** **16-05**

(52) **U.S. Cl.**
USPC **D16/241**

(58) **Field of Classification Search**
USPC D16/237-250; D14/238, 251, 253;
D6/332, 681; D26/63
CPC G03B 17/02; G03B 17/56; G03B 17/04;
G03B 17/561-566; G03B 15/02; G03B
15/03; H04N 5/2251; H04N 5/2252;
H04N 5/2253; H04N 5/2254; G02B 7/02;
G02B 7/04; G02B 7/14
See application file for complete search history.

(56) **References Cited**

U.S. PATENT DOCUMENTS

D720,384 S	12/2014	Holmen	
D723,311 S	3/2015	Jiang et al.	
D790,892 S *	7/2017	Chung	D6/681
D815,328 S *	4/2018	Ladnier	D26/63
D828,057 S	9/2018	Yaguchi	
D828,433 S *	9/2018	Zhao	D16/241
D845,376 S *	4/2019	Kim	D16/237
D898,106 S	10/2020	Zhao	

D909,456 S *	2/2021	Xiao	D16/244
D915,495 S *	4/2021	Zeng	D16/244
D916,173 S *	4/2021	Zeng	D16/244
D937,845 S	12/2021	Zhang	
D940,228 S *	1/2022	Ke	D16/241
D943,018 S *	2/2022	Feng	D16/244
D947,858 S	4/2022	Zhang	
D947,926 S *	4/2022	Tian	D16/244
D951,332 S *	5/2022	Ni	D16/237

* cited by examiner

Primary Examiner — Ramzi Almatrahi

(74) *Attorney, Agent, or Firm* — Runit Ranjit Kanakia

(57) **CLAIM**

The ornamental design for a T-shape backdrop stand kit, as shown and described.

DESCRIPTION

FIG. 1 is a front perspective view of a T-shape backdrop stand kit showing my new design; FIG. 2 is a front view thereof; FIG. 3 is a rear view thereof; FIG. 4 is a right side view thereof; FIG. 5 is a left side view thereof; FIG. 6 is a top view thereof; FIG. 7 is a bottom view thereof; and, FIG. 8 is a front perspective view thereof, shown in condition of use with a backdrop disclosed in broken lines to illustrate an environment.

The broken lines depict portions of the T-shape backdrop stand kit that form no part of the claimed design. The broken lines showing a backdrop in FIG. 8 represent environmental structure and form no part of the claimed design.

1 Claim, 6 Drawing Sheets

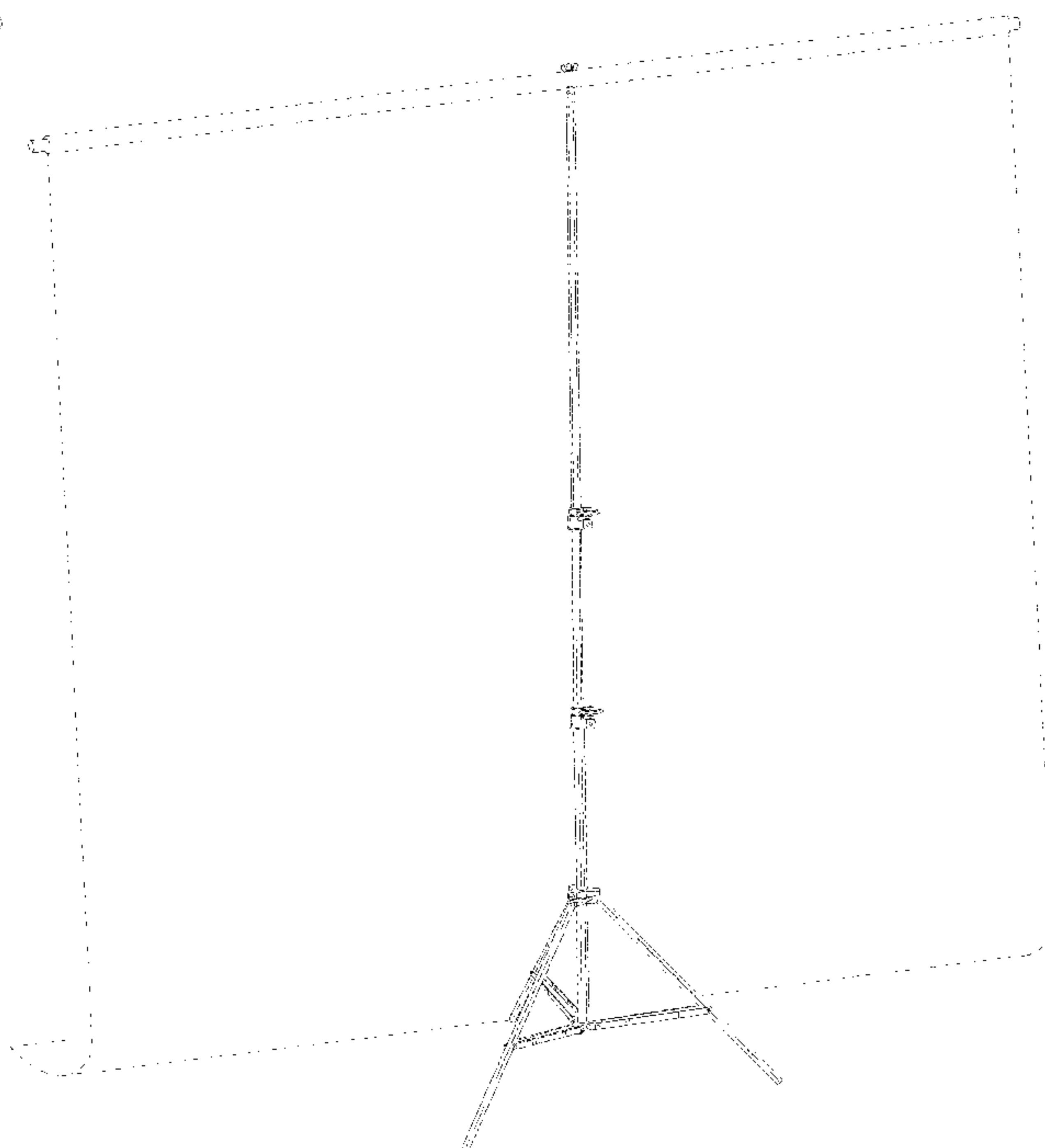
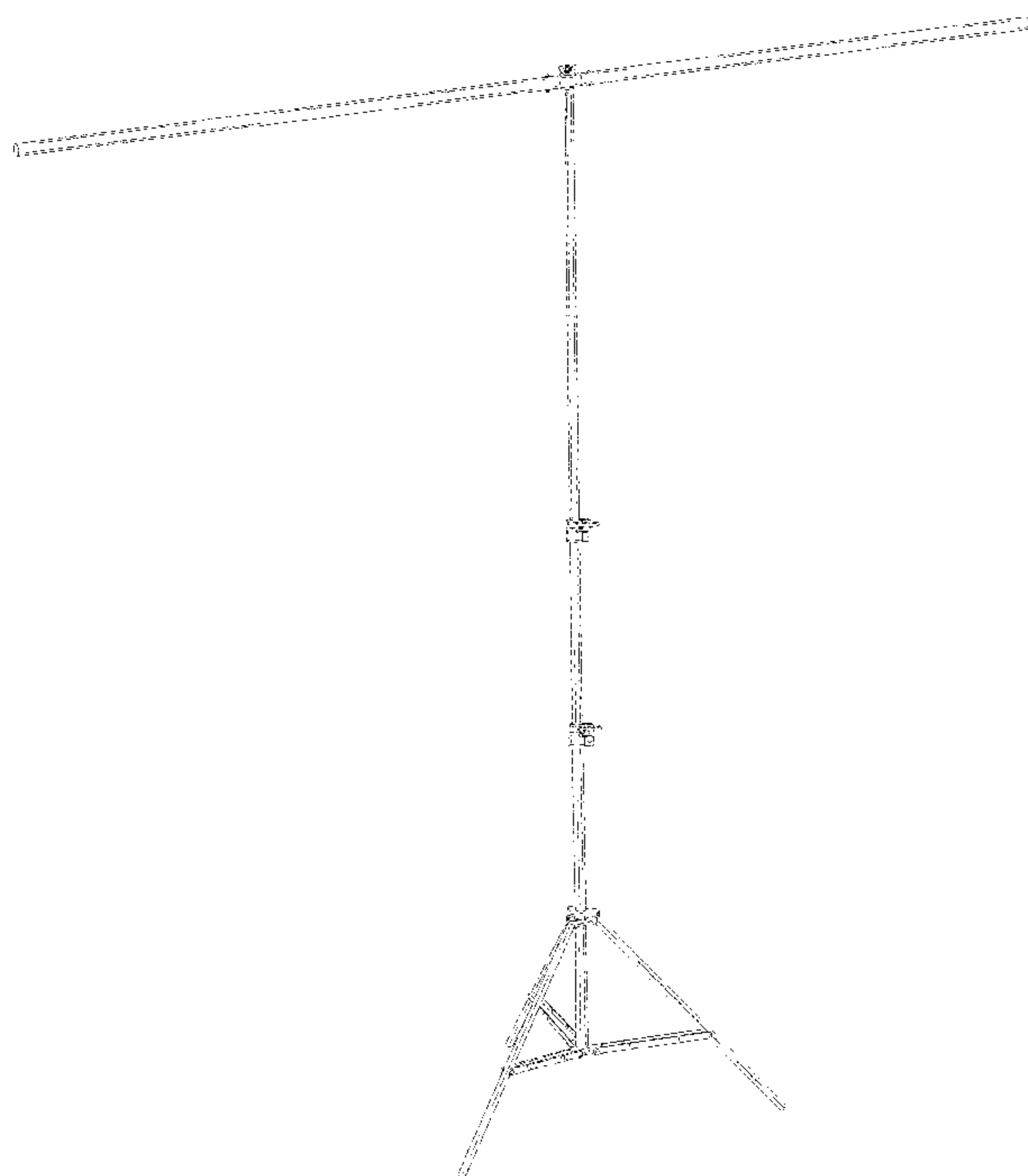




FIG. 1

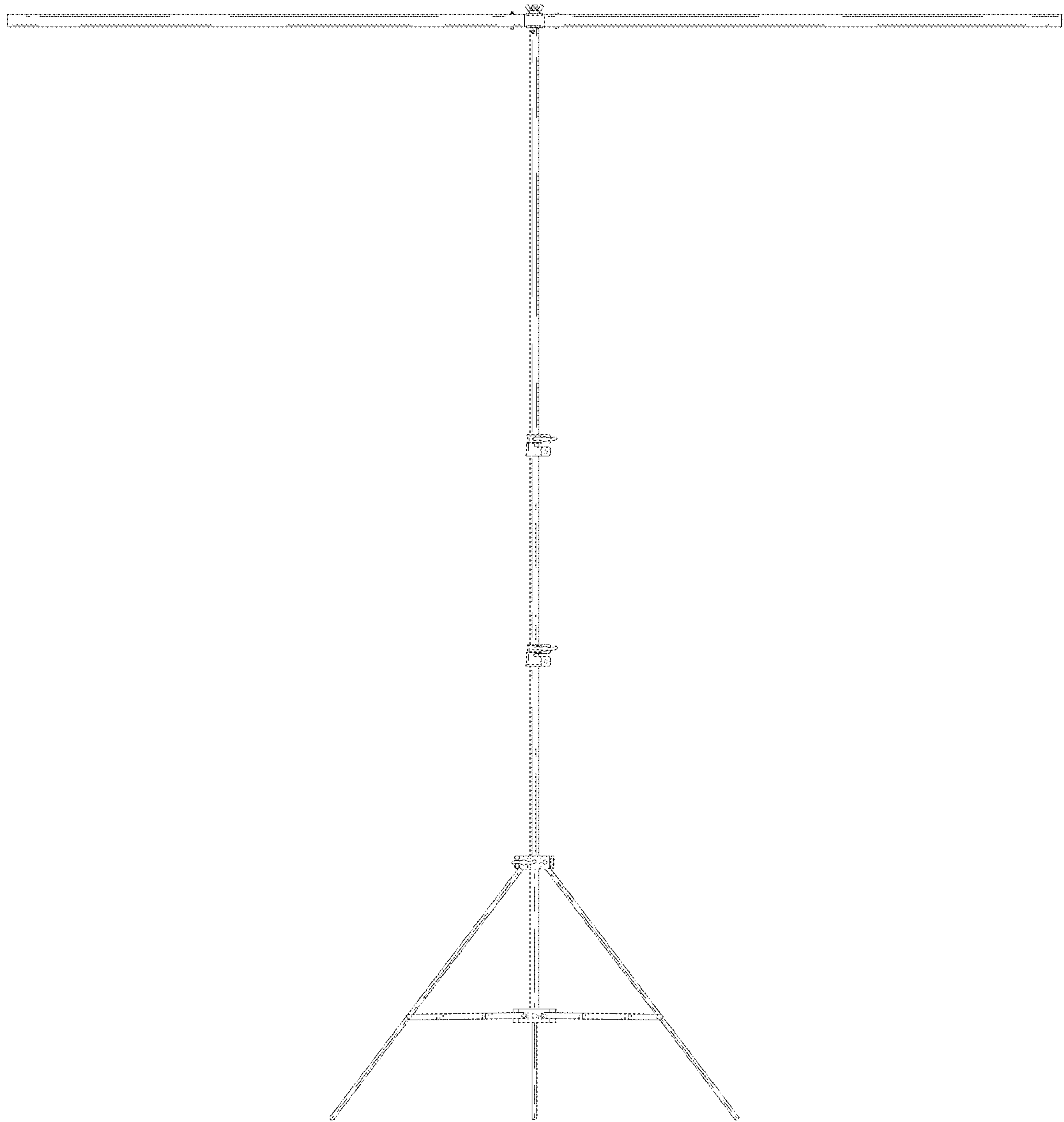


FIG. 2

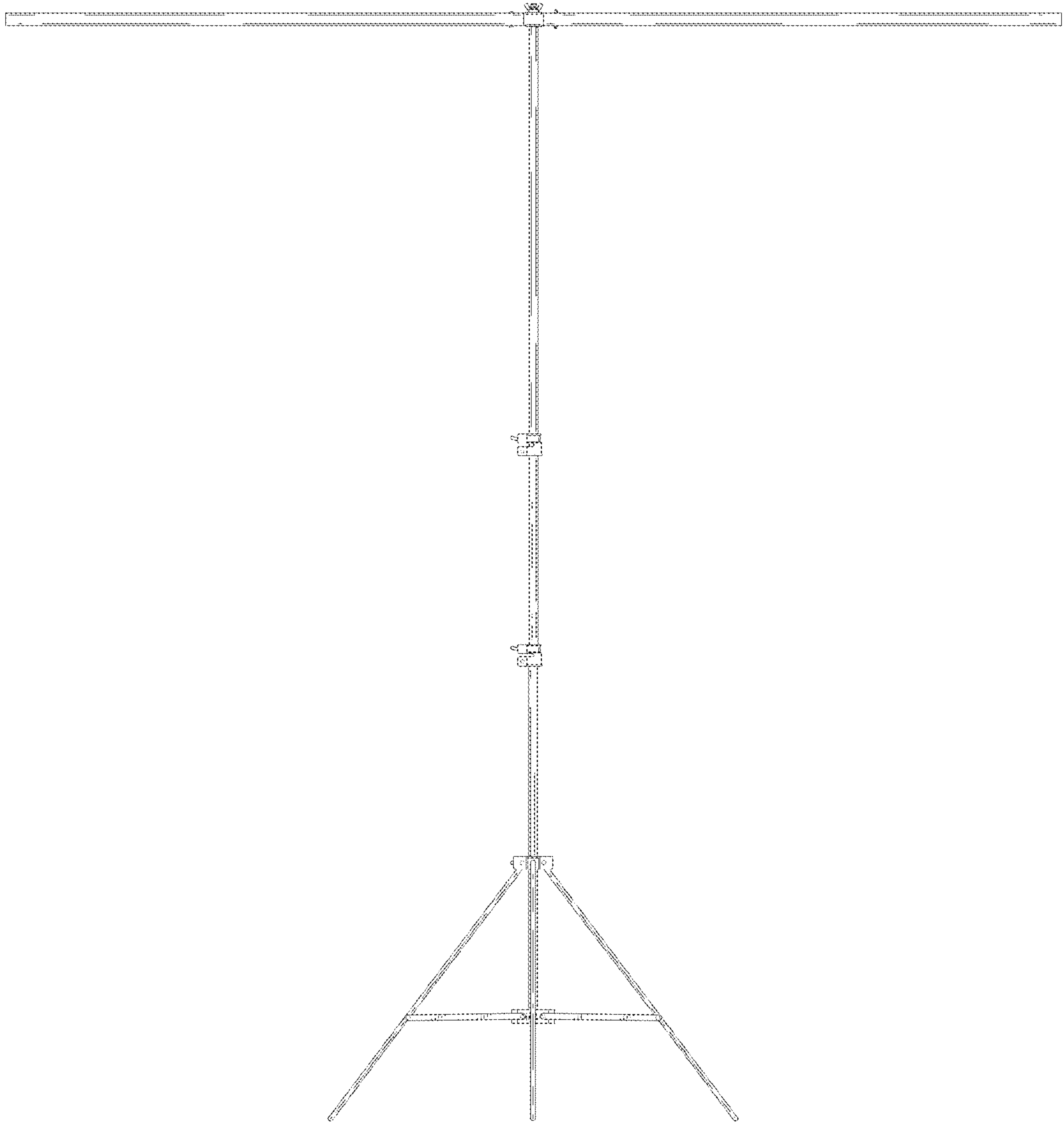


FIG. 3

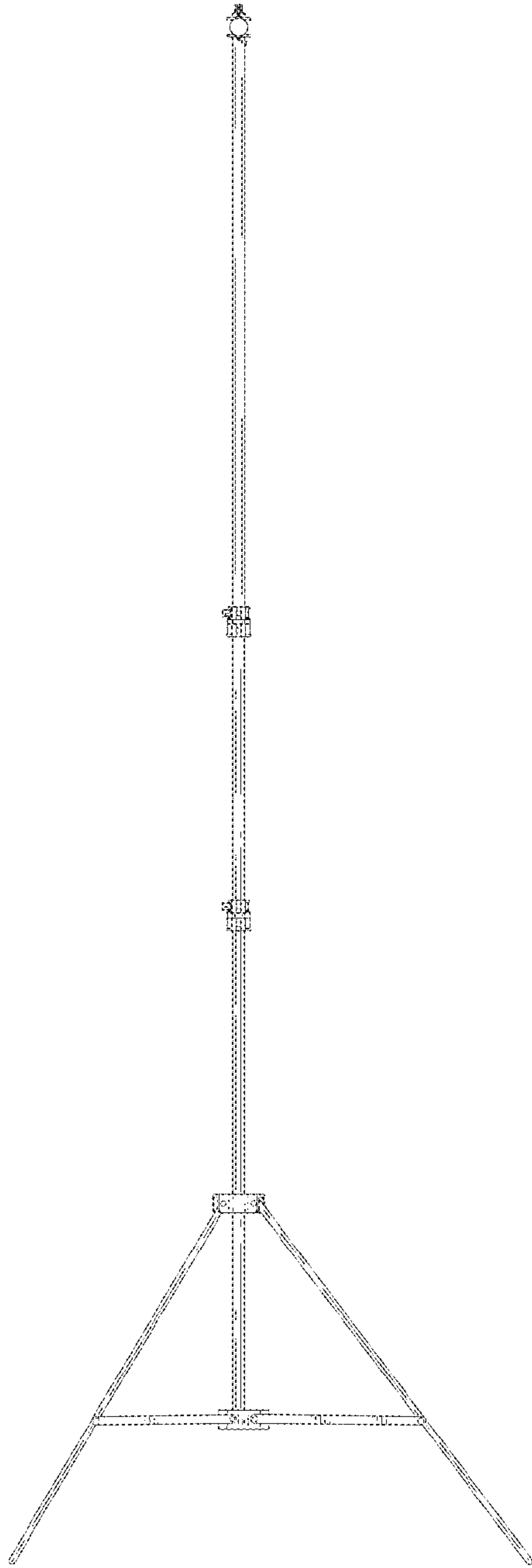


FIG. 4

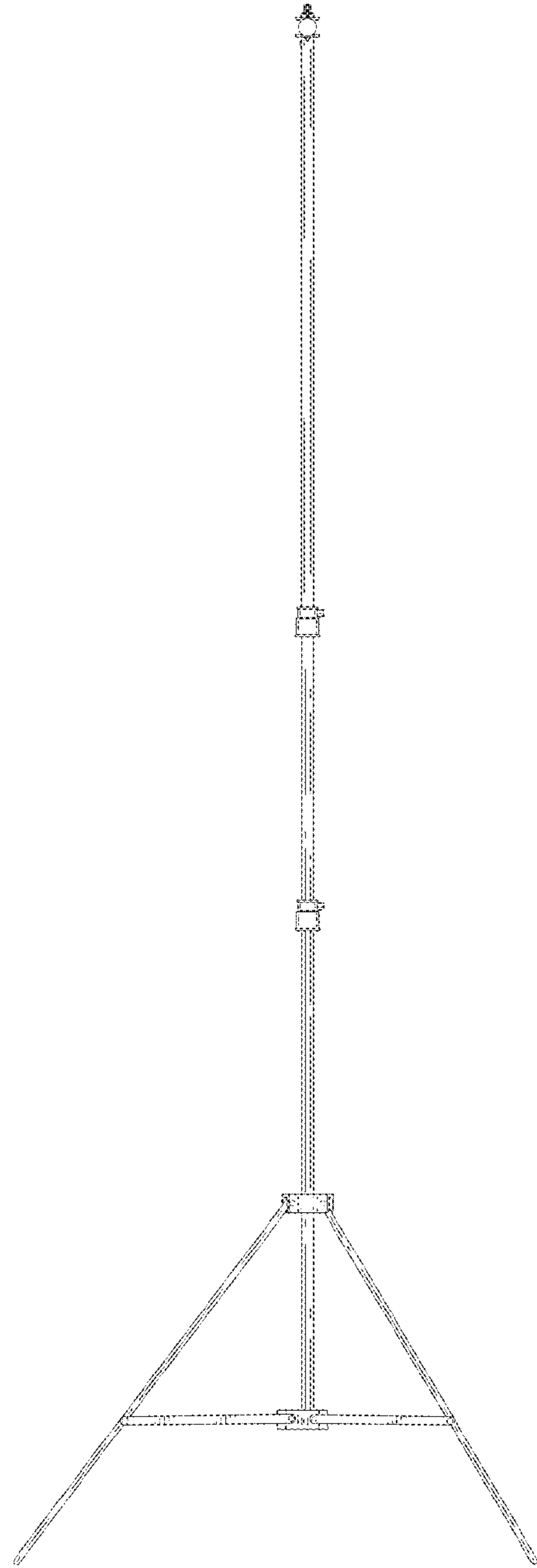


FIG. 5

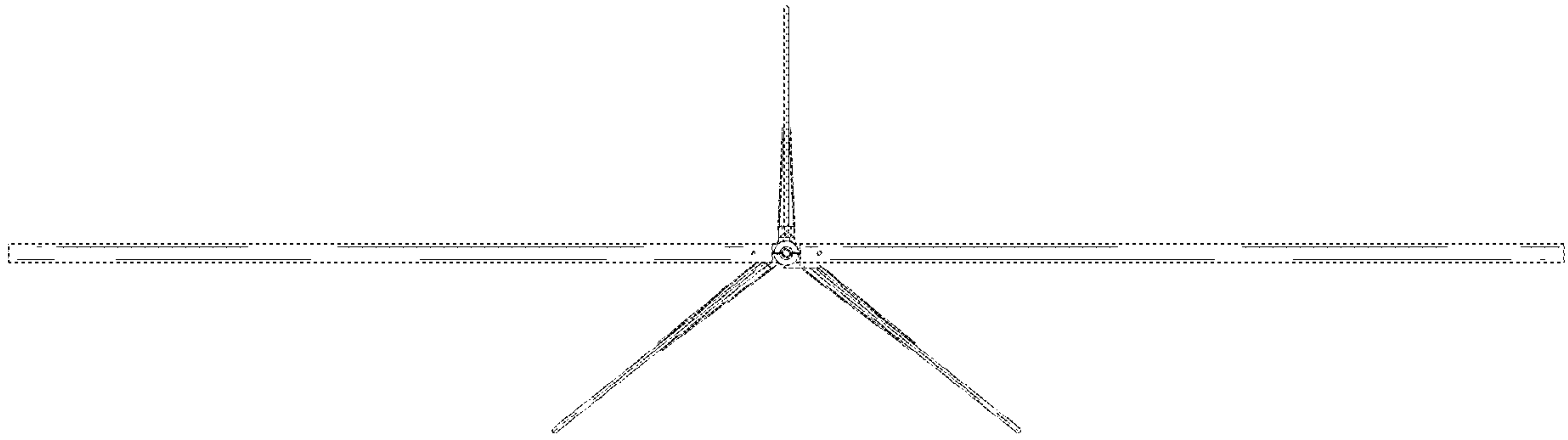


FIG. 6

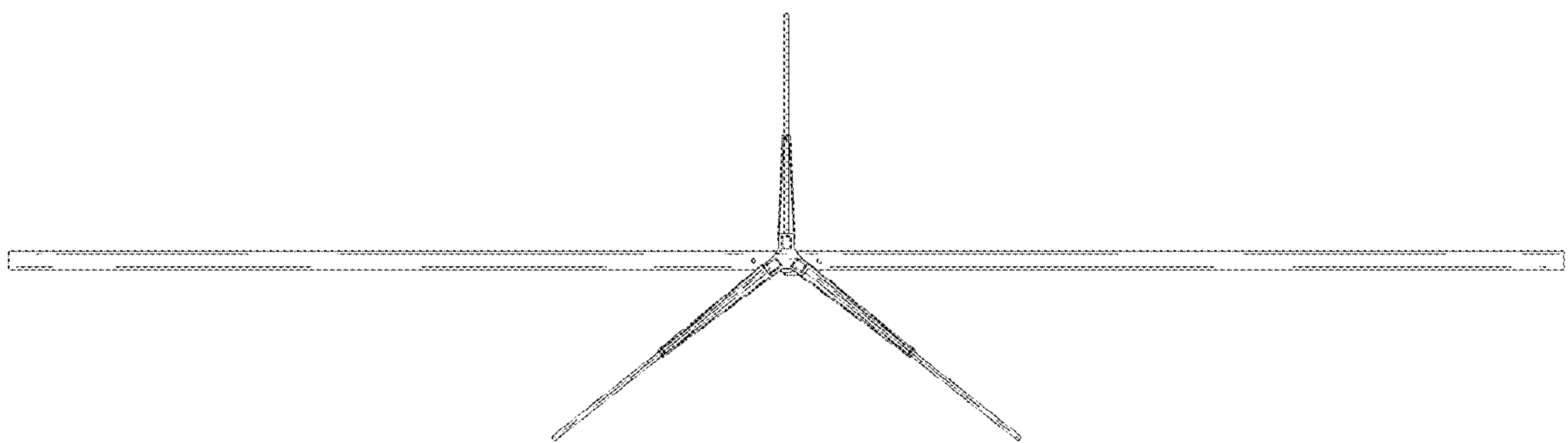


FIG. 7

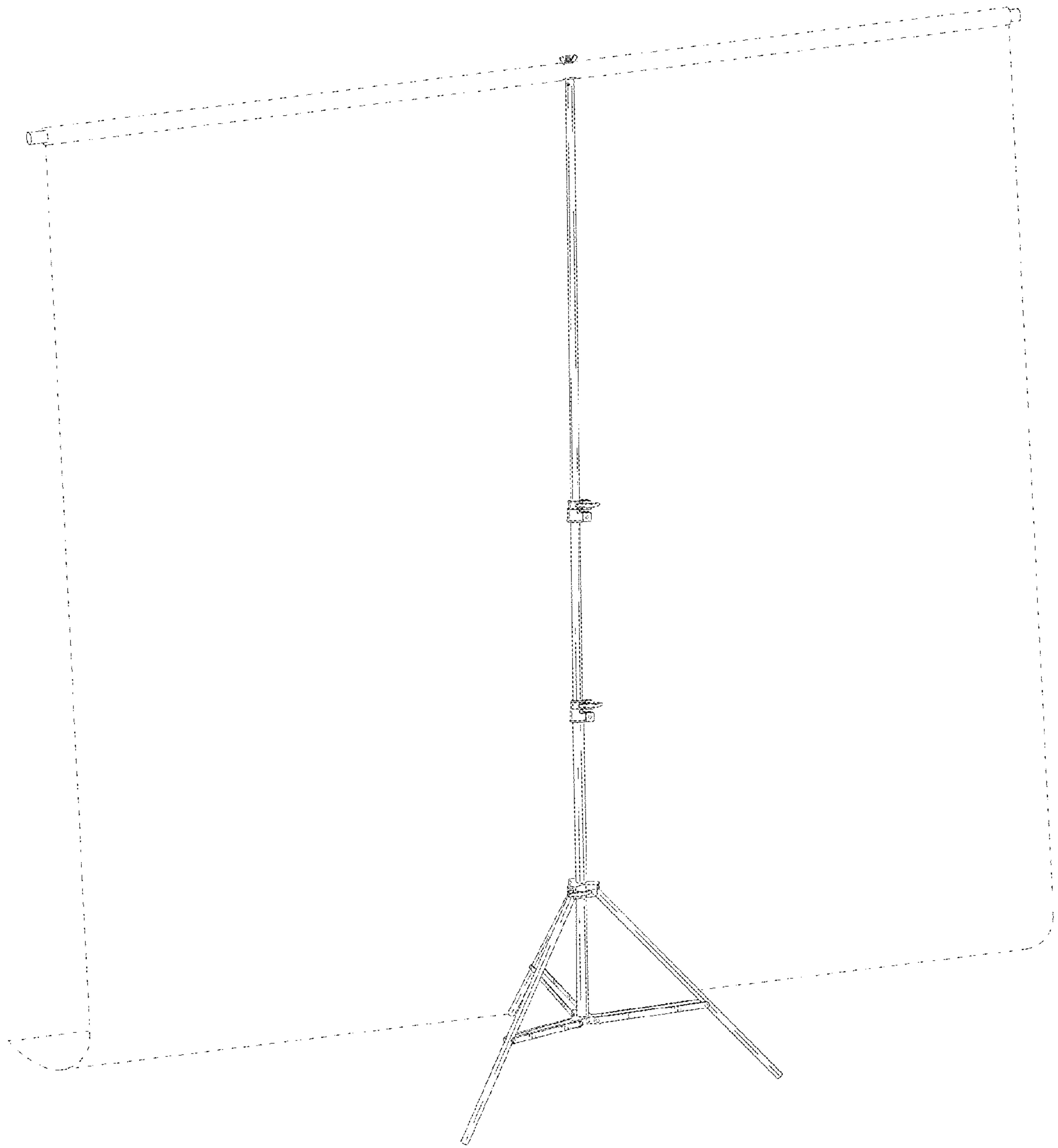


FIG. 8