



US00D970596S

(12) **United States Design Patent**
Wang et al.

(10) **Patent No.:** **US D970,596 S**

(45) **Date of Patent:** **** Nov. 22, 2022**

(54) **FLASH FOR CAMERA**

(71) Applicant: **SHENZHEN XINGYINGDA INDUSTRY CO., LTD.**, Shenzhen (CN)

(72) Inventors: **Jun Wang**, Shenzhen (CN); **Yan Ke**, Shenzhen (CN)

(73) Assignee: **SHENZHEN XINGYINGDA INDUSTRY CO., LTD.**, Shenzhen (CN)

(**) Term: **15 Years**

(21) Appl. No.: **29/845,502**

(22) Filed: **Jul. 7, 2022**

(51) **LOC (13) Cl.** **16-05**

(52) **U.S. Cl.**
USPC **D16/240**

(58) **Field of Classification Search**
USPC D16/202, 208–209, 219, 237–240
CPC G03B 17/02; G03B 17/56; G03B 17/04;
G03B 17/561–566; G03B 15/03; H04N
5/2251; H04N 5/2252; H04N 5/2253;
H04N 5/2254; G02B 7/02; G02B 7/04;
G02B 7/14

See application file for complete search history.

(56) **References Cited**

U.S. PATENT DOCUMENTS

D257,853 S 1/1981 Schlagheck et al.
D342,753 S * 12/1993 Haga D16/239
D453,351 S * 2/2002 Kitera D16/239

D502,488 S * 3/2005 Miyashita D16/239
D518,191 S 3/2006 Griffin
D696,711 S * 12/2013 Takahashi D16/240
D701,553 S * 3/2014 Sanhui D16/239
D703,723 S * 4/2014 Soejima D16/239
D708,251 S * 7/2014 Chen D16/240
D714,375 S * 9/2014 Ozone D16/239
9,876,961 B2 * 1/2018 Kojima G03B 15/05
D819,115 S * 5/2018 Nohara D16/239
D855,683 S * 8/2019 Sakai D16/239
D866,646 S * 11/2019 Liu D16/239
D923,683 S * 6/2021 Ke D16/239

* cited by examiner

Primary Examiner — Ramzi Almatrahi

(74) *Attorney, Agent, or Firm* — ScienBiziP, P.C.

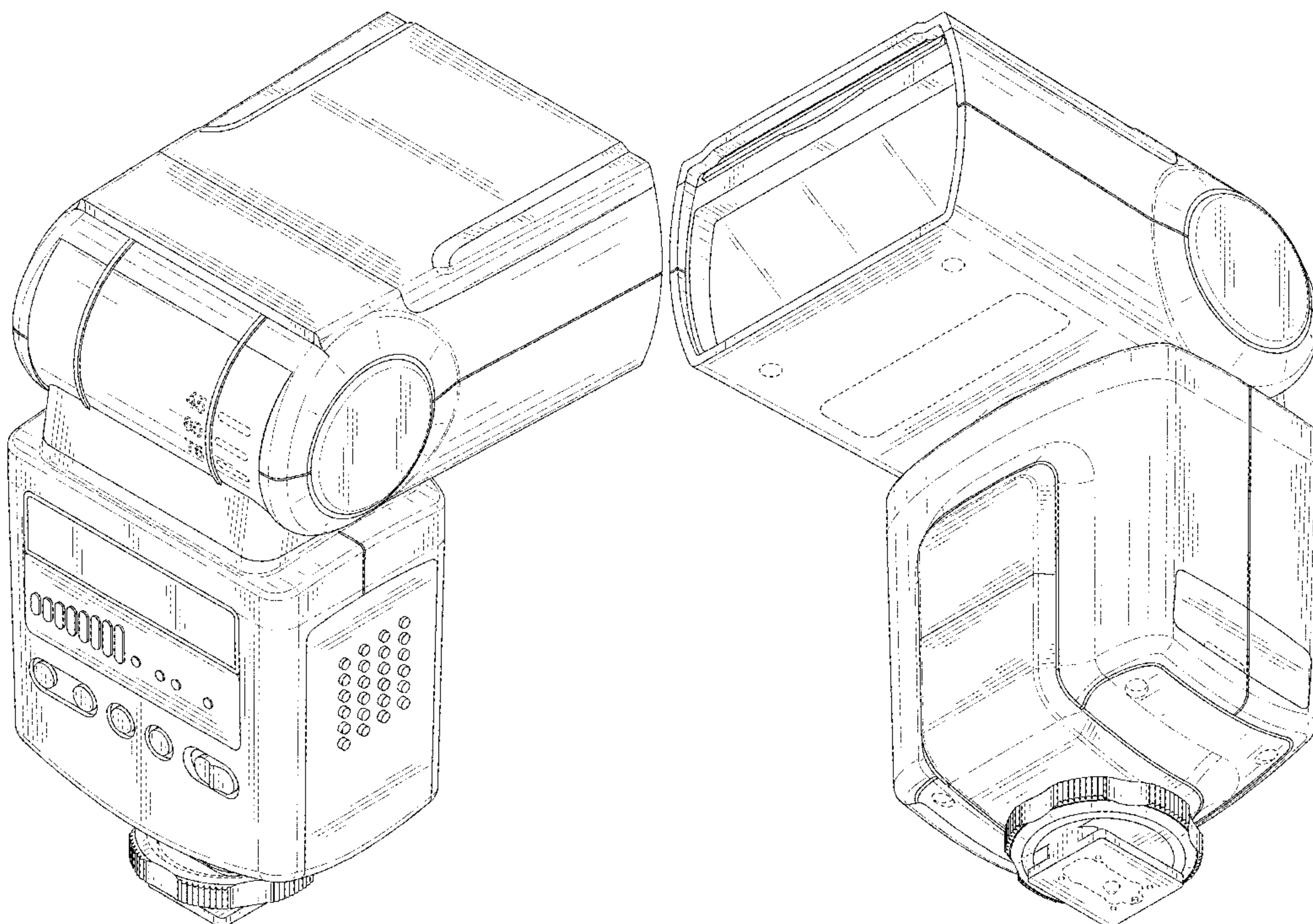
(57) **CLAIM**

The ornamental design for a flash for camera, as shown and described.

DESCRIPTION

FIG. 1 is a front, right and top perspective view of a flash for camera, showing our design.
FIG. 2 is a rear, left and bottom perspective view thereof.
FIG. 3 is a front elevation view thereof.
FIG. 4 is a rear elevation view thereof.
FIG. 5 is a left side elevation view thereof.
FIG. 6 is a right side elevation view thereof.
FIG. 7 is a top plan view thereof; and,
FIG. 8 is a bottom plan view thereof.
The broken lines shown in the drawings are included for the purpose of illustrating portions of the flash for camera that form no part of the claimed design.

1 Claim, 8 Drawing Sheets



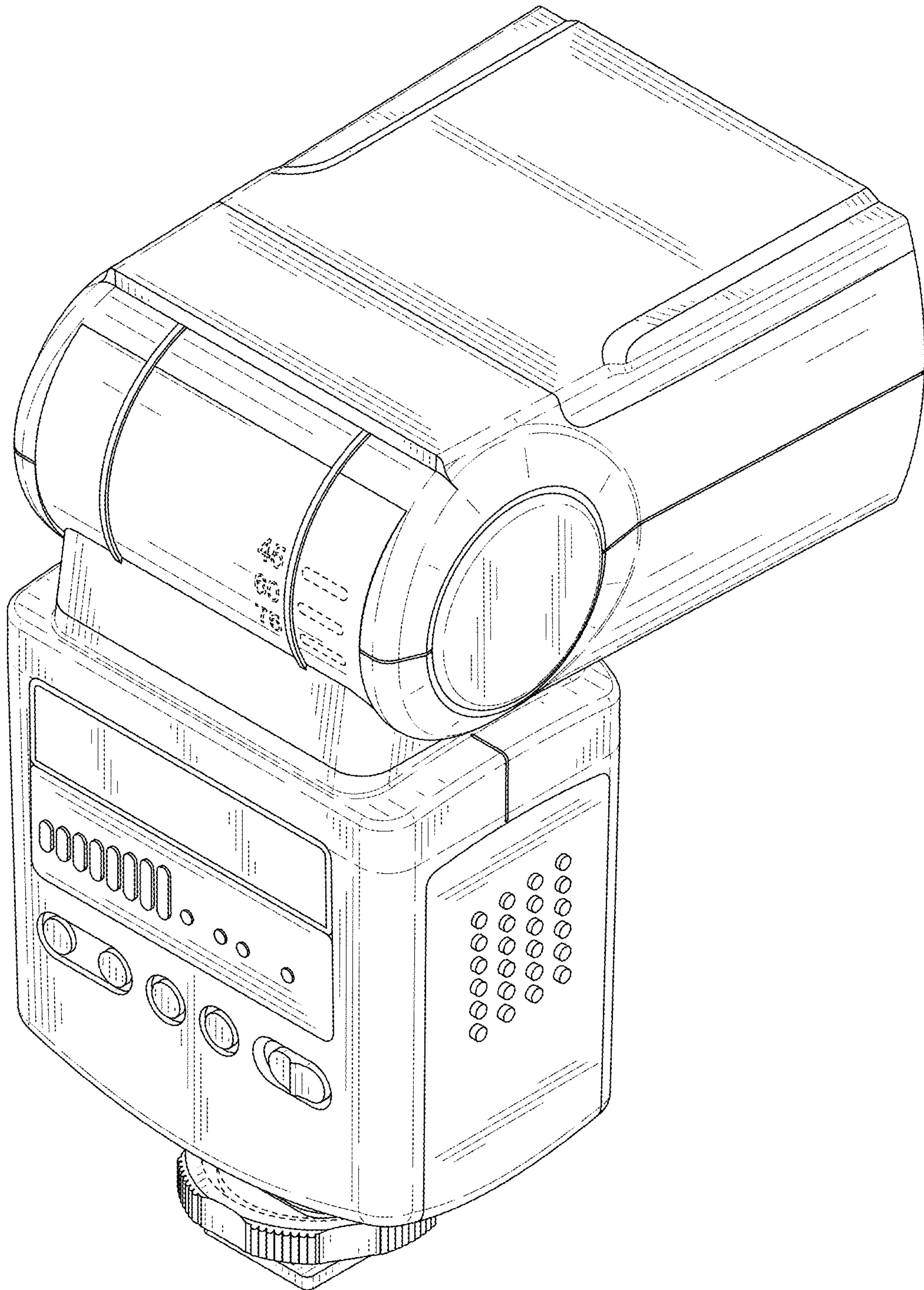


FIG. 1

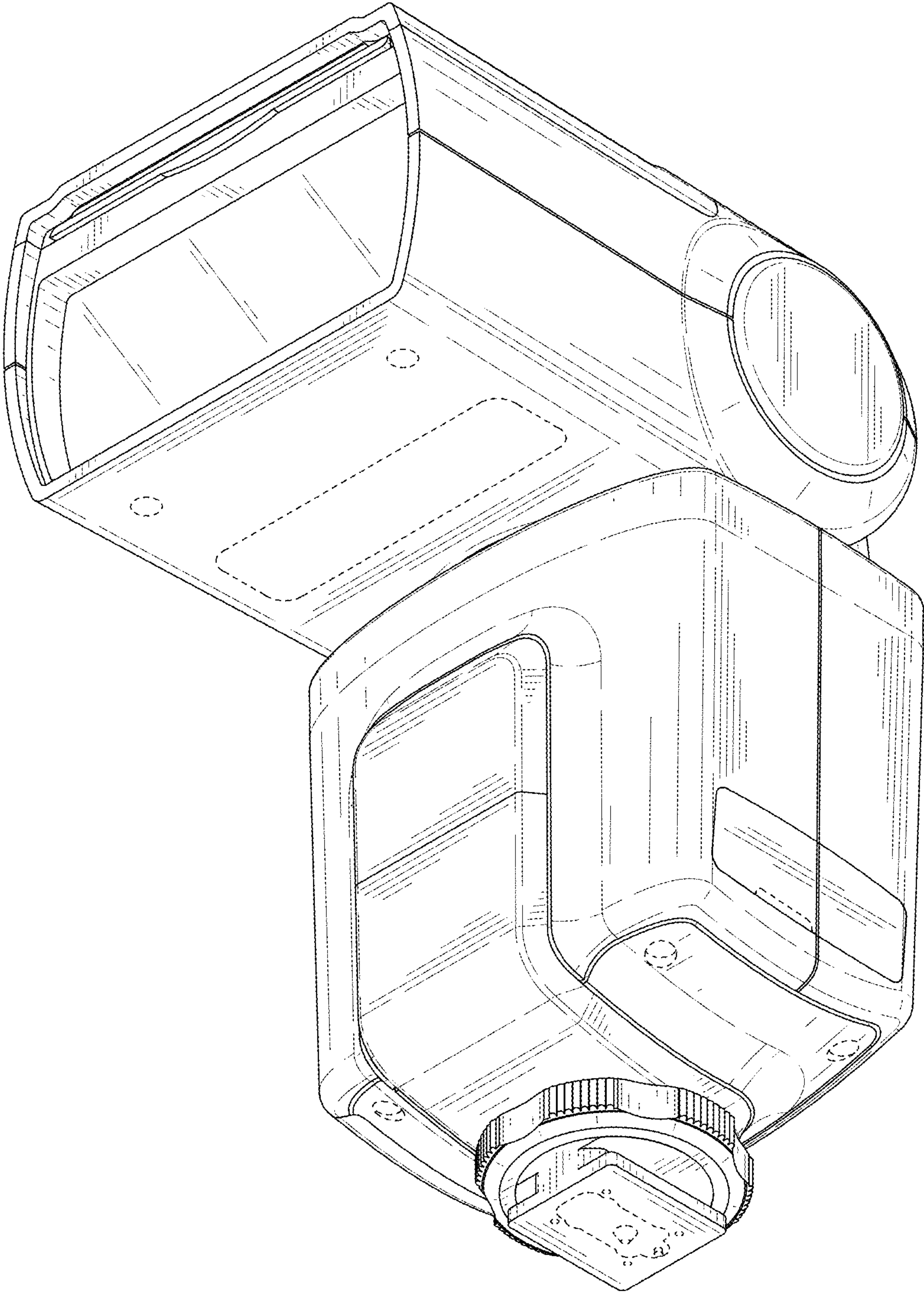


FIG. 2

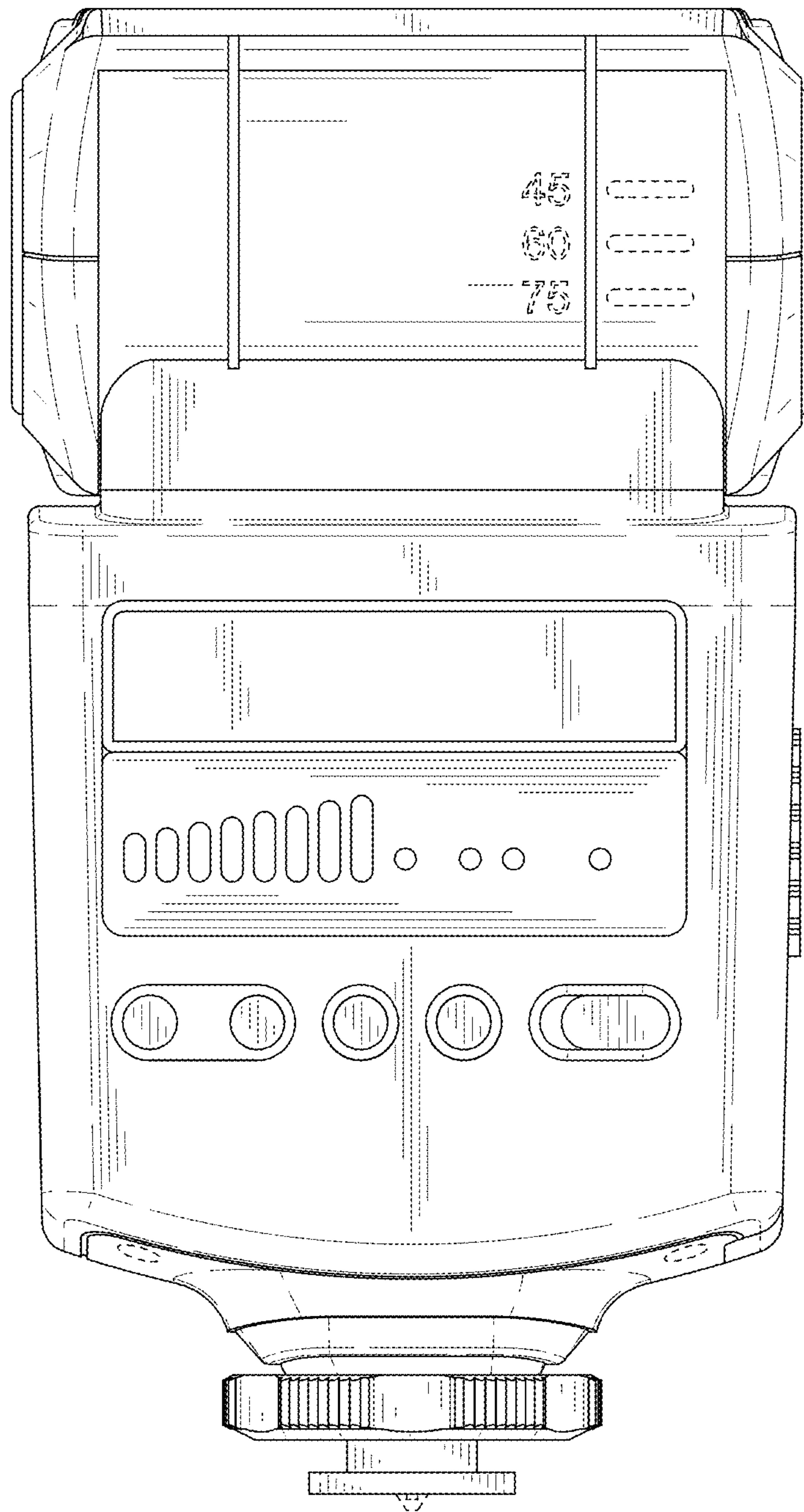


FIG. 3

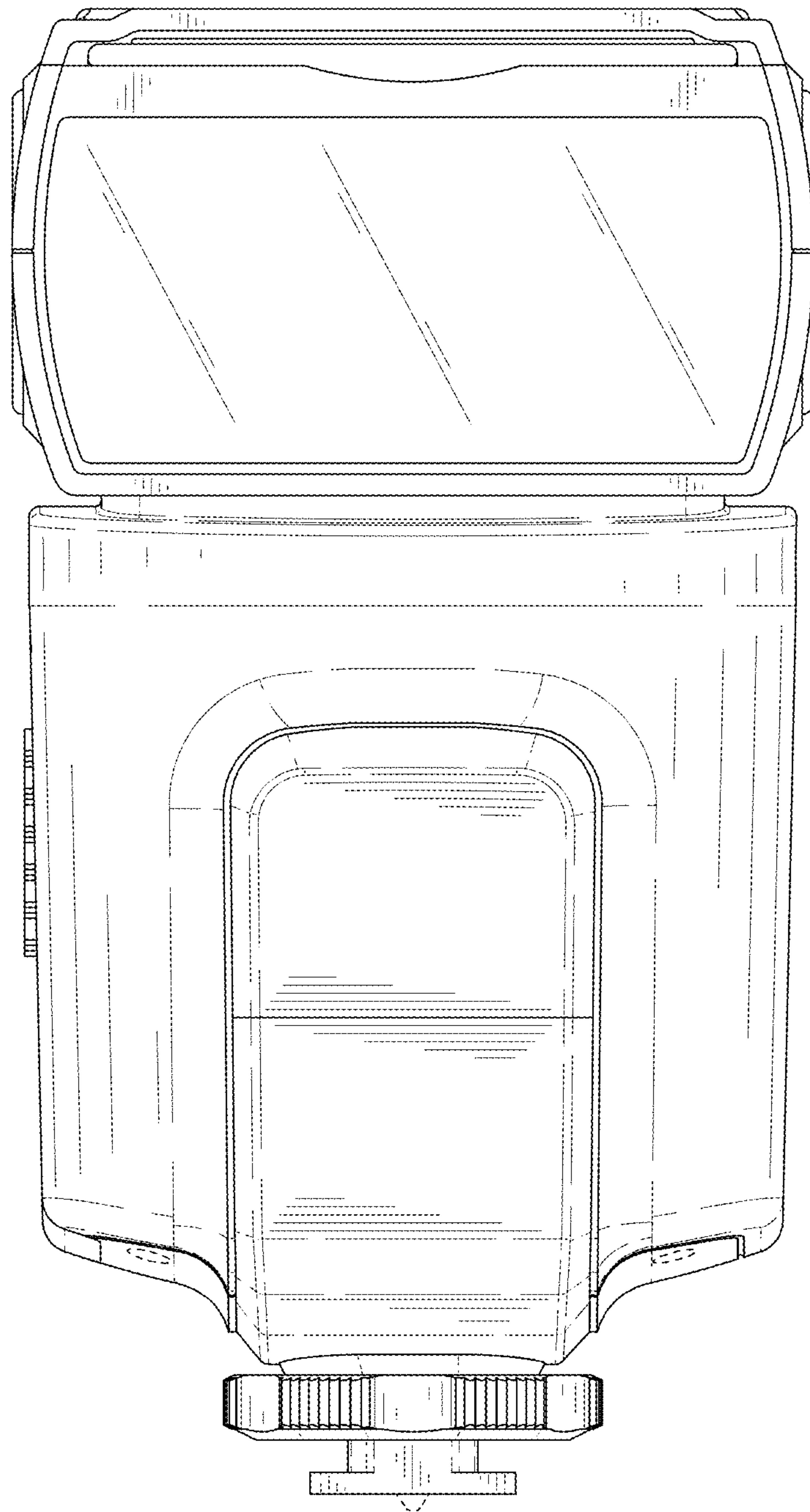


FIG. 4

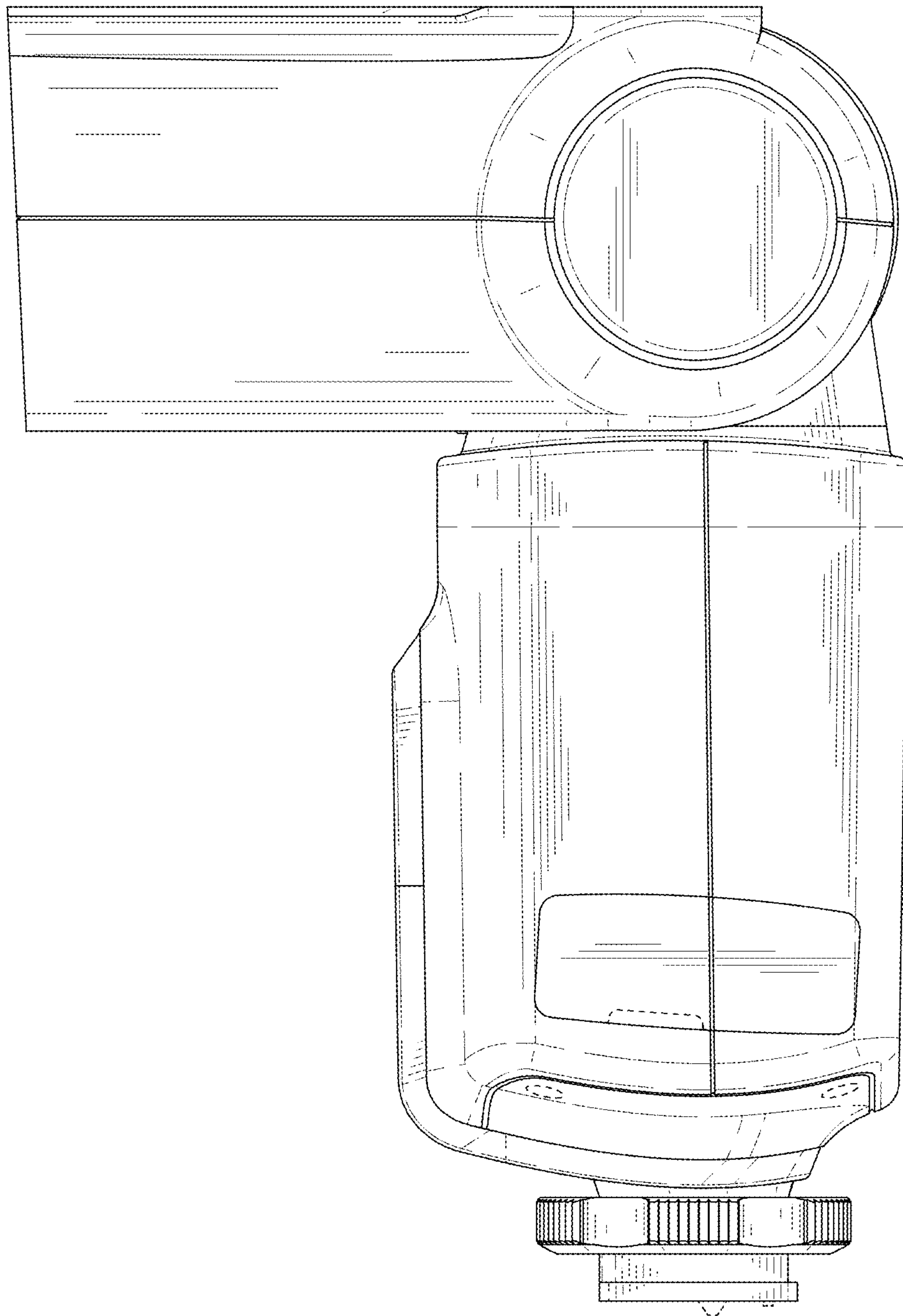


FIG. 5

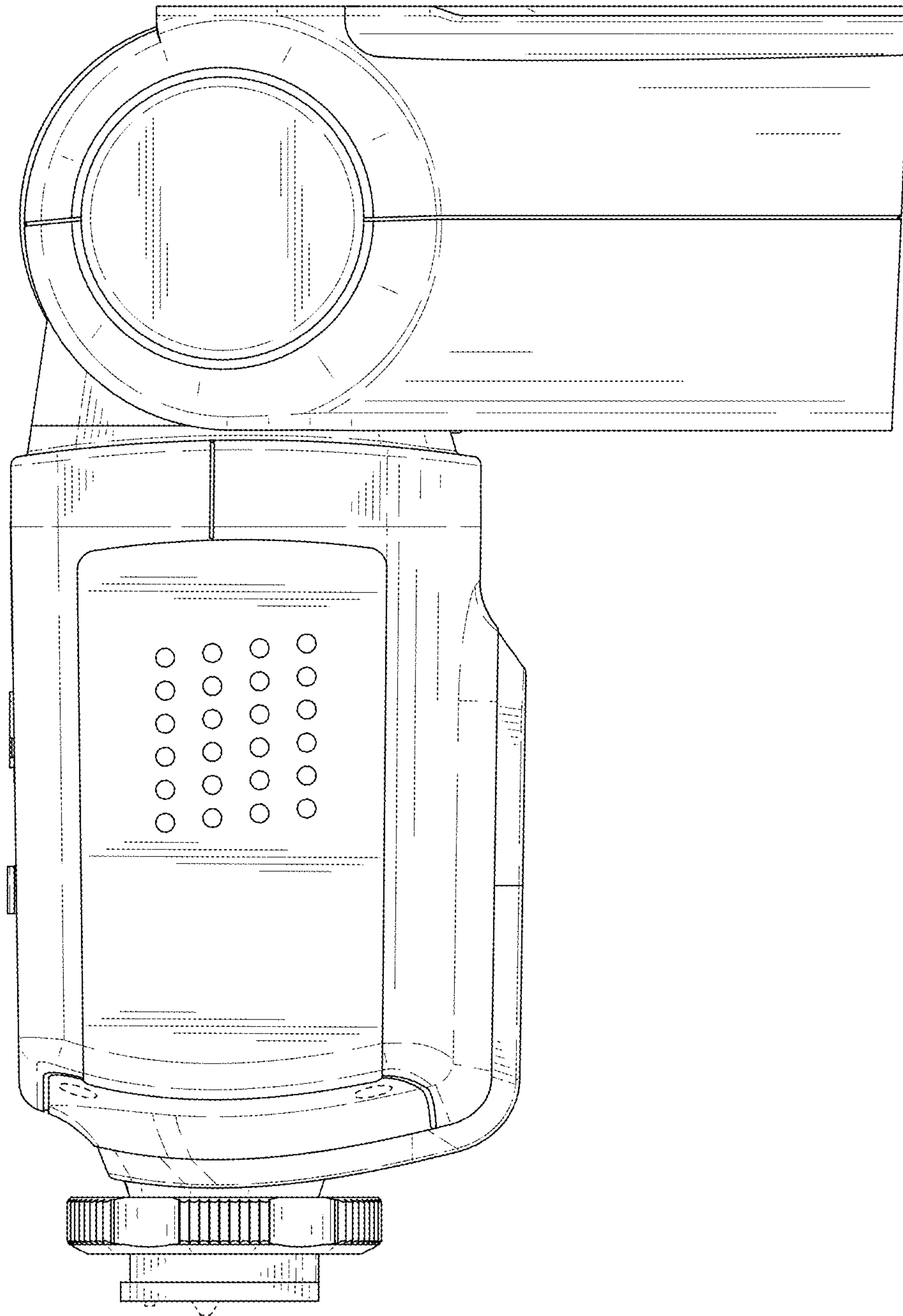


FIG. 6

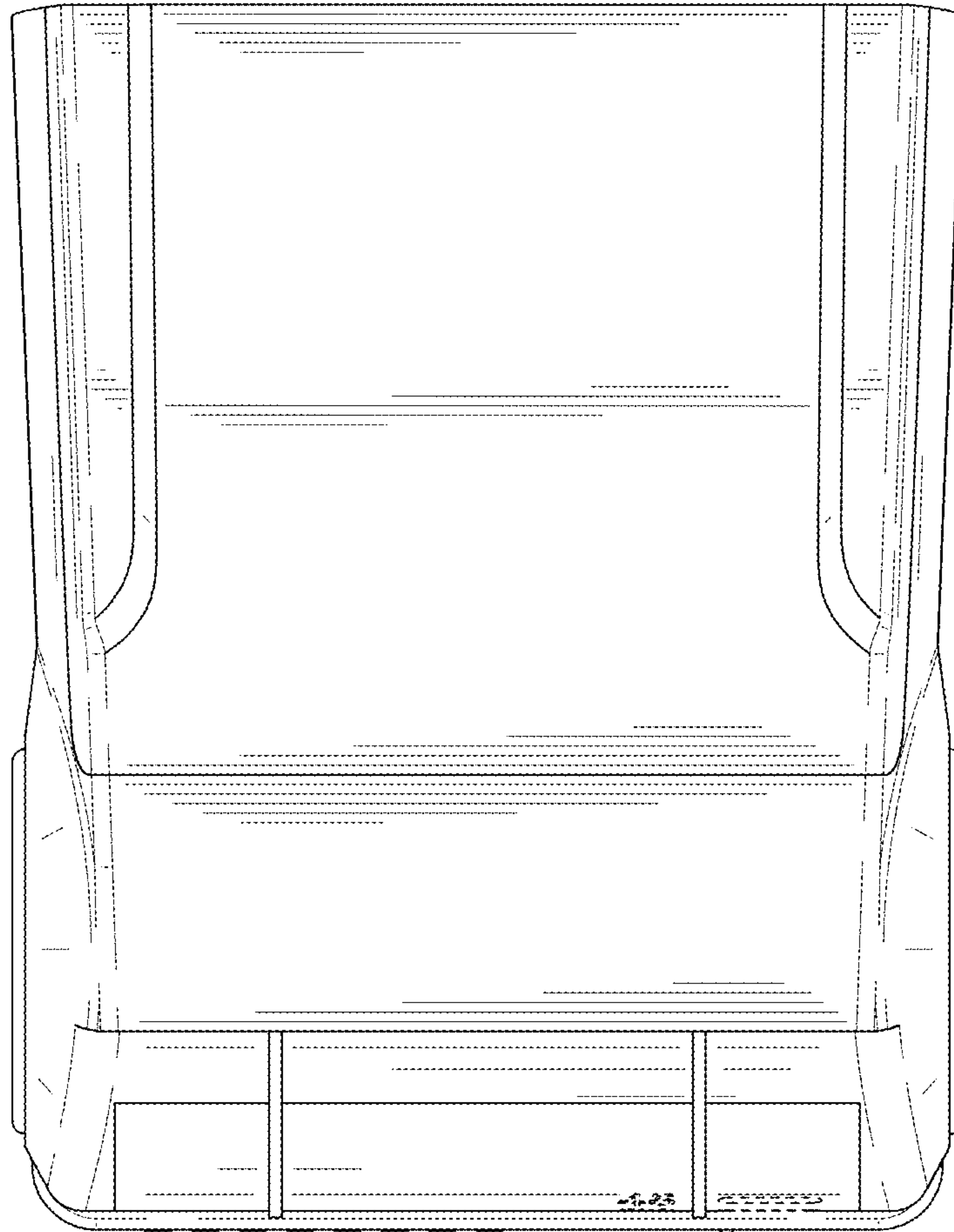


FIG. 7

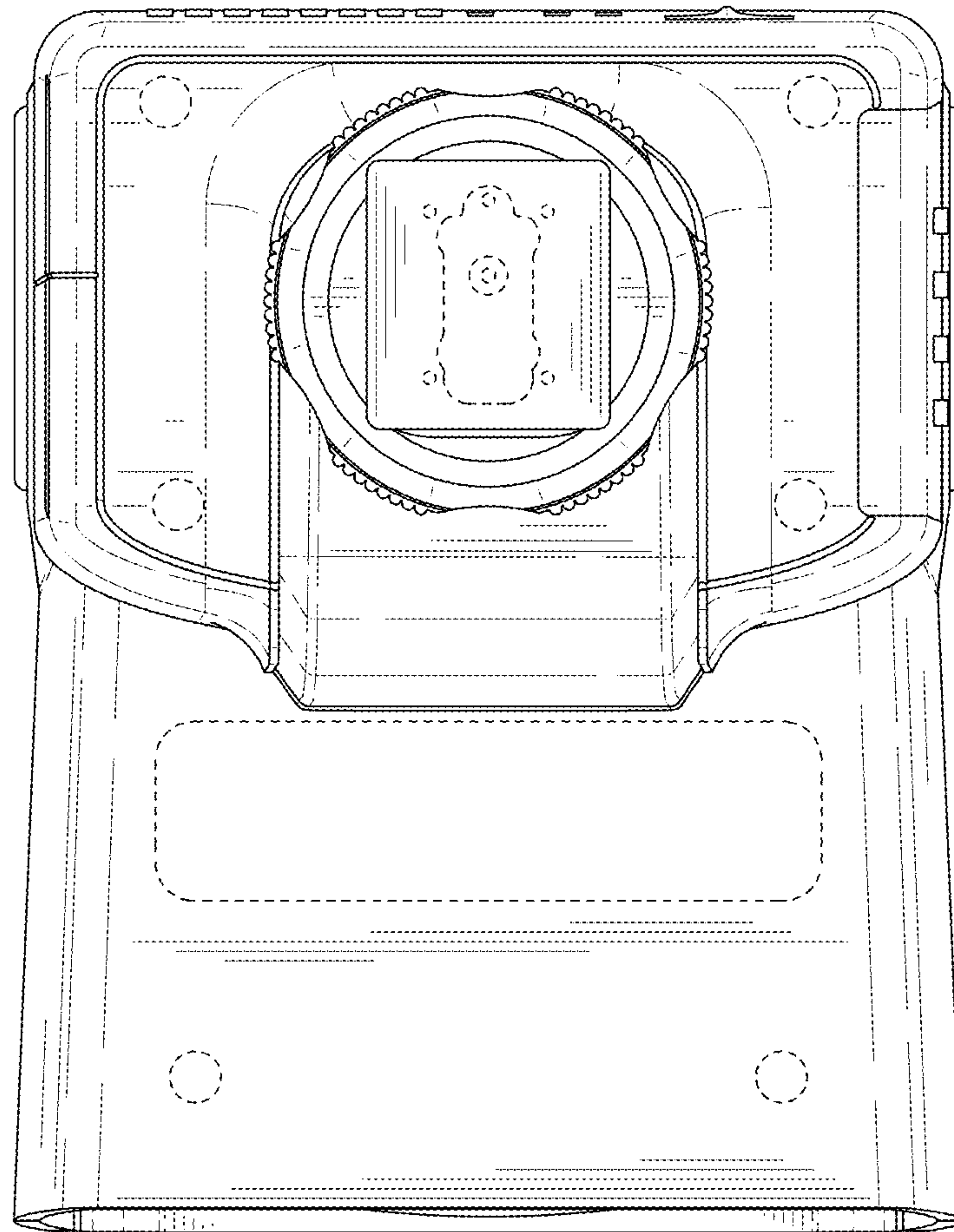


FIG. 8