

US00D970594S

(12) **United States Design Patent**
Wang et al.

(10) **Patent No.:** **US D970,594 S**
(45) **Date of Patent:** **** Nov. 22, 2022**

- (54) **ELECTRONIC FLASH**
- (71) Applicant: **SHENZHEN NEEWER TECHNOLOGY CO. LTD**, Shenzhen (CN)
- (72) Inventors: **Jun Wang**, Shenzhen (CN); **Yan Ke**, Shenzhen (CN)
- (73) Assignee: **SHENZHEN NEEWER TECHNOLOGY CO. LTD**, Shenzhen (CN)

(**) Term: **15 Years**

(21) Appl. No.: **29/797,792**

(22) Filed: **Jul. 2, 2021**

(51) **LOC (13) Cl.** **16-05**

(52) **U.S. Cl.**
USPC **D16/240**

(58) **Field of Classification Search**
 USPC D16/202, 208–209, 219, 237–240
 CPC G03B 17/02; G03B 17/56; G03B 17/04;
 G03B 17/561–566; G03B 15/03; H04N
 5/2251; H04N 5/2252; H04N 5/2253;
 H04N 5/2254; G02B 7/02; G02B 7/04;
 G02B 7/14

See application file for complete search history.

(56) **References Cited**

U.S. PATENT DOCUMENTS

D241,273 S	8/1976	Okuno et al.
D243,327 S	2/1977	Beeren
D303,266 S	9/1989	Kato
D342,753 S	12/1993	Haga
D453,351 S	2/2002	Kitera
D502,488 S	3/2005	Miyashita
D562,875 S	2/2008	Kitera
D695,815 S	12/2013	Takahashi

D696,711 S	*	12/2013	Takahashi	D16/240
D701,553 S	*	3/2014	Sanhui	D16/239
D703,723 S		4/2014	Soejima		
D708,251 S	*	7/2014	Chen	D16/240
D714,375 S	*	9/2014	Ozone	D16/239
D714,853 S		10/2014	Imafuji et al.		
D718,363 S	*	11/2014	Yamauchi	D16/239
D741,395 S	*	10/2015	Oh	D16/239
9,876,961 B2	*	1/2018	Kojima	G03B 15/05
9,921,457 B2	*	3/2018	Okano	G03B 15/05
D819,115 S		5/2018	Nohara		

(Continued)

Primary Examiner — Ramzi Almatrahi

(74) *Attorney, Agent, or Firm* — Westbridge IP LLC

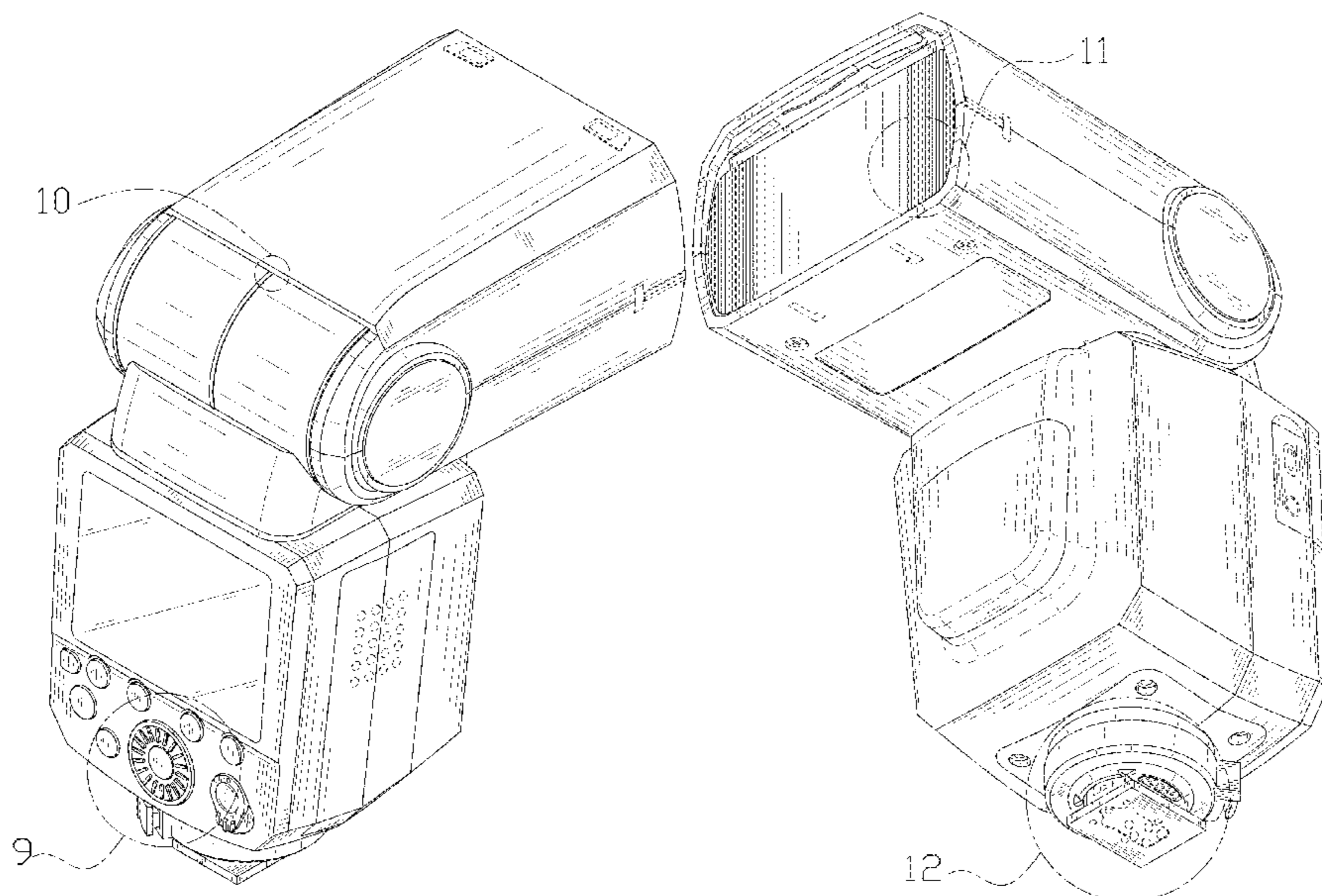
(57) **CLAIM**

The ornamental design for an electronic flash, as shown and described.

DESCRIPTION

FIG. 1 is front perspective view of an electronic flash showing our new design;
 FIG. 2 is a rear perspective view thereof;
 FIG. 3 is a front elevation view thereof;
 FIG. 4 is a rear elevation view thereof;
 FIG. 5 is a left side elevation view thereof;
 FIG. 6 is a right side elevation view thereof;
 FIG. 7 is a top plan view thereof;
 FIG. 8 is a bottom plan view thereof;
 FIG. 9 is an enlarged view of portion 9 shown in FIG. 1;
 FIG. 10 is an enlarged view of portion 10 shown in FIG. 1;
 FIG. 11 is an enlarged view of portion 11 shown in FIG. 2;
 and,
 FIG. 12 is an enlarged view of portion 12 shown in FIG. 2.
 The broken lines depict portions of the electronic flash in which the design is embodied that form no part of the claimed design. The dot-dash broken lines encircling an enlargement portion of the design forms no part of the claimed design.

1 Claim, 12 Drawing Sheets



(56)

References Cited

U.S. PATENT DOCUMENTS

D855,683 S * 8/2019 Sakai D16/239
D866,646 S 11/2019 Liu
D923,683 S * 6/2021 Ke D16/239
D943,658 S * 2/2022 Ke D16/237

* cited by examiner

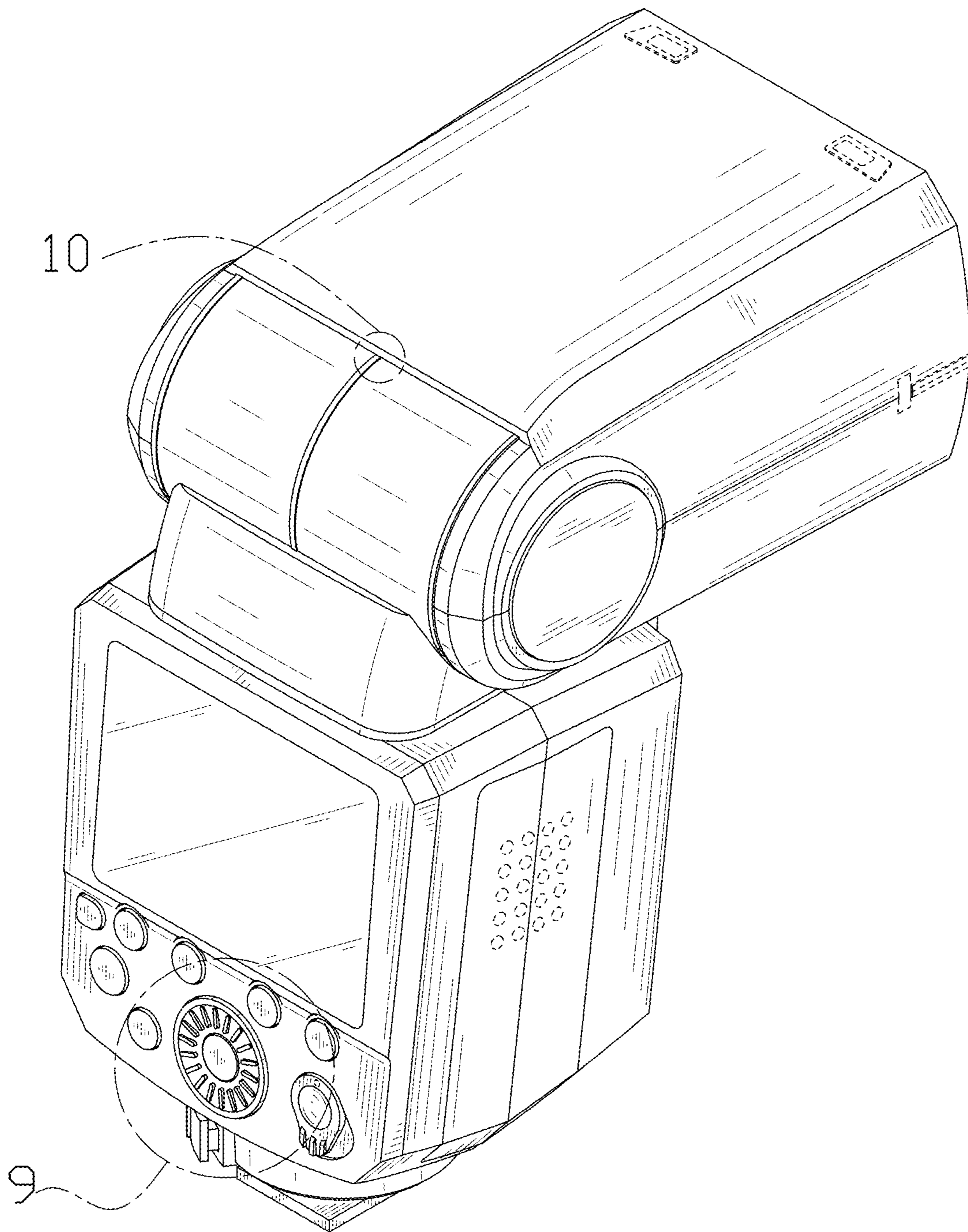


FIG. 1

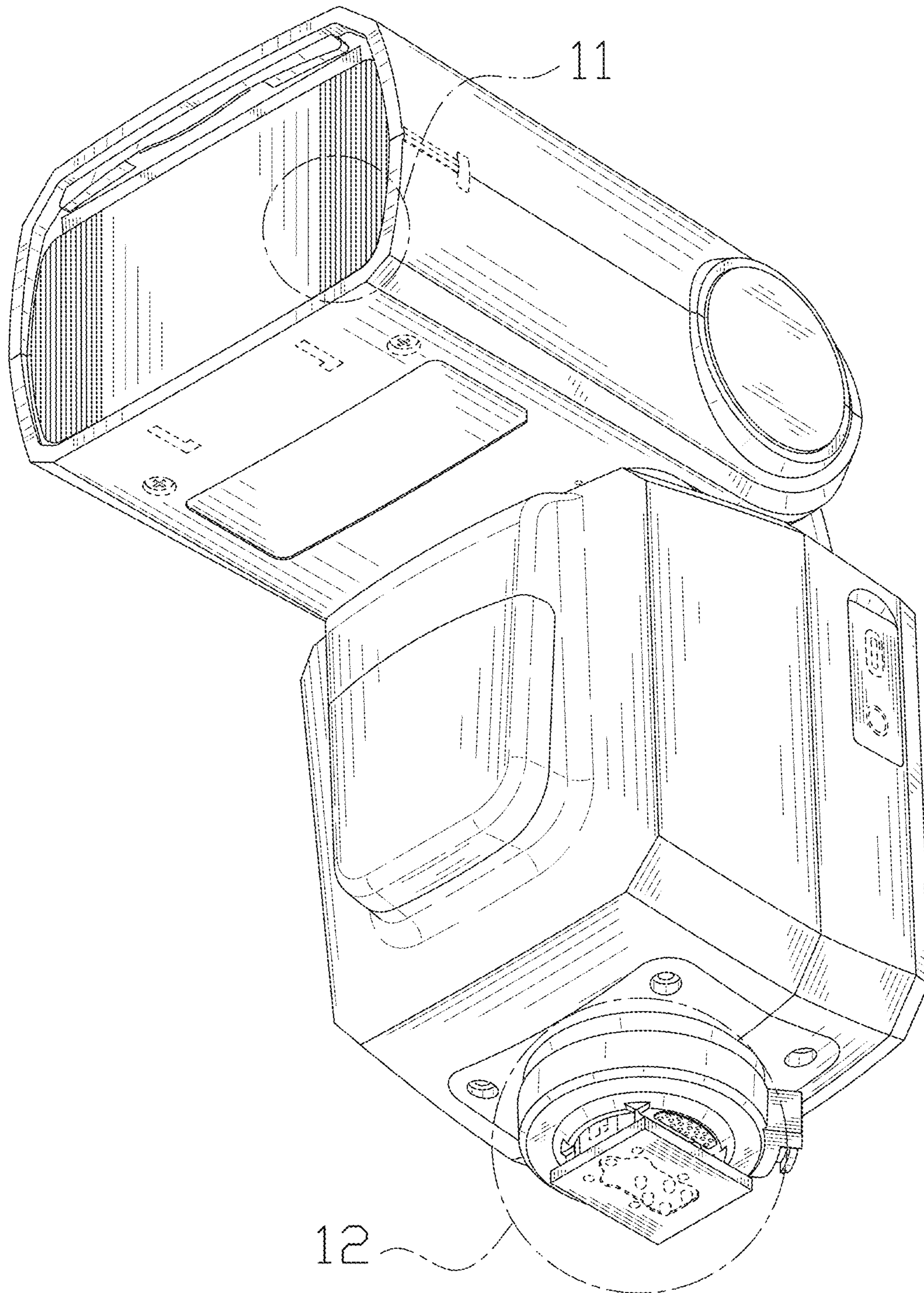


FIG. 2

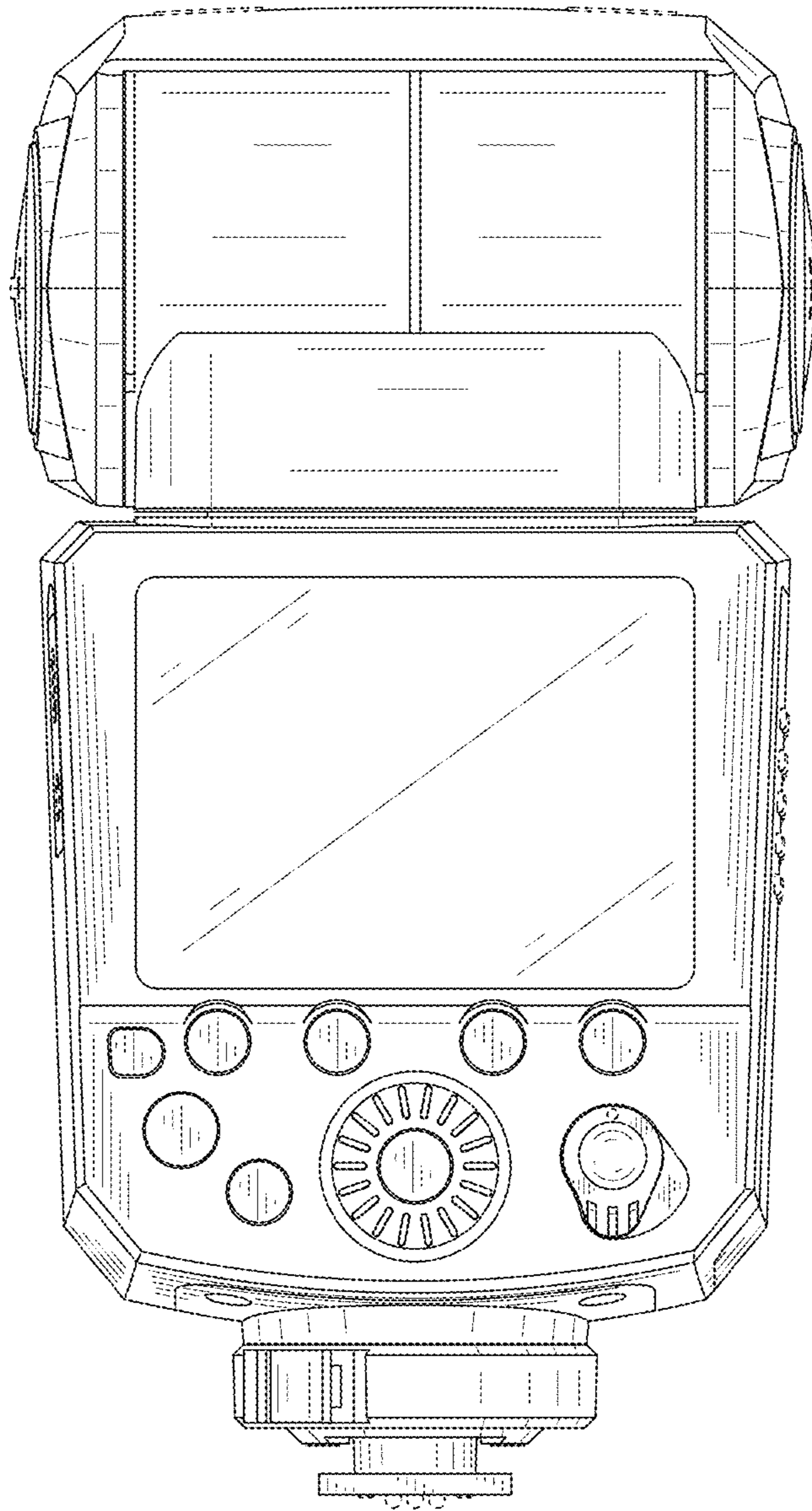


FIG. 3

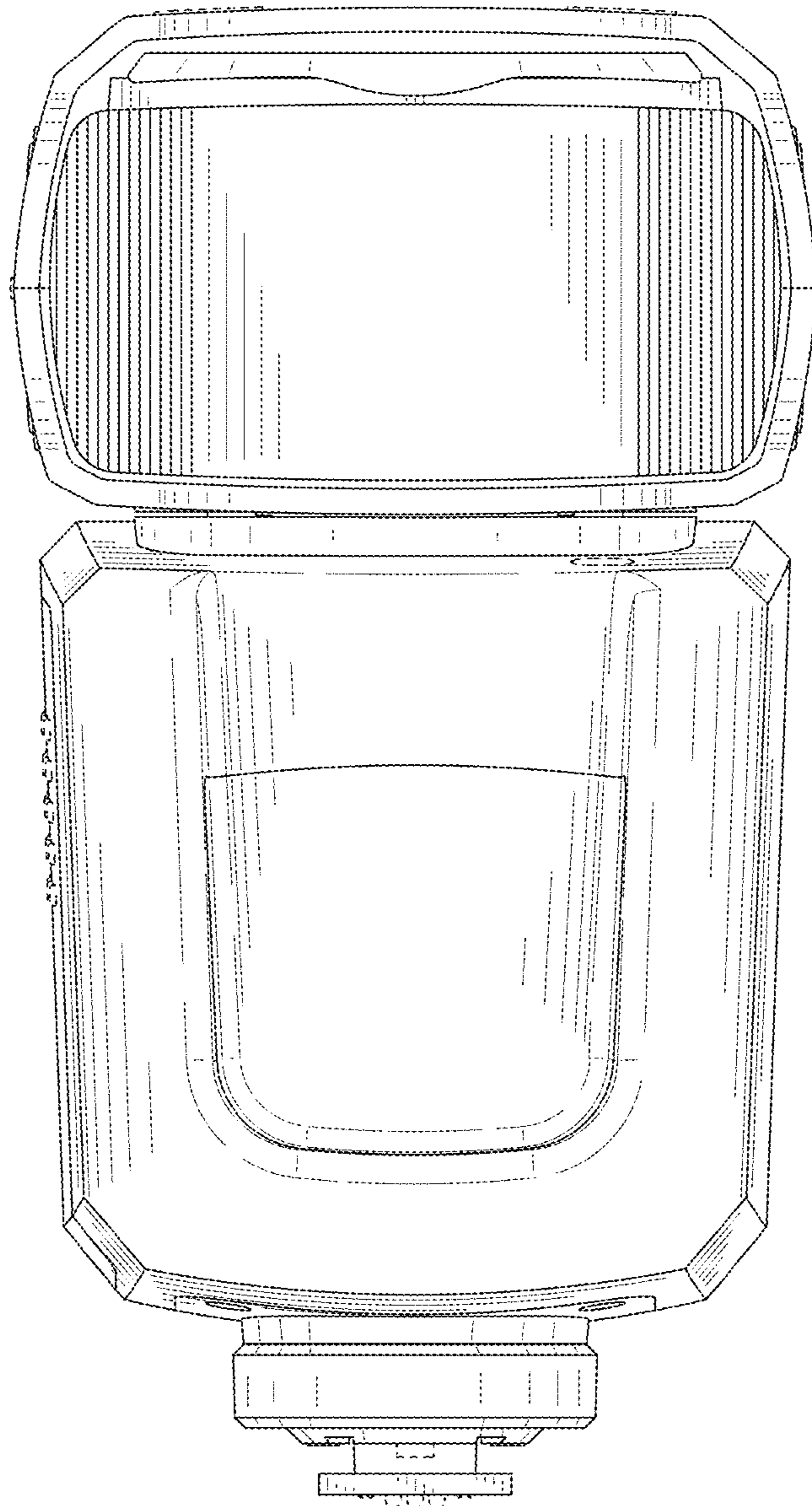


FIG. 4

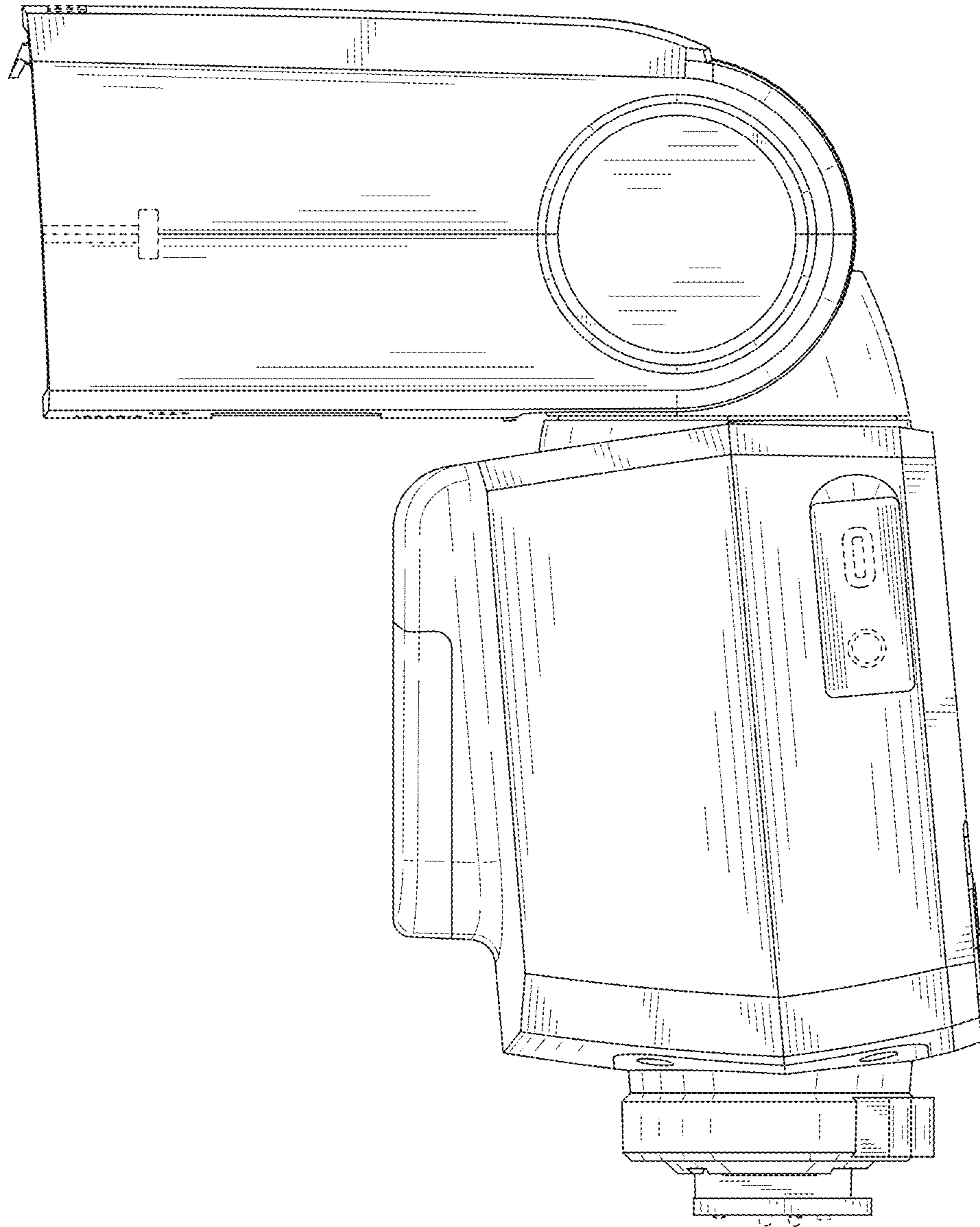


FIG. 5

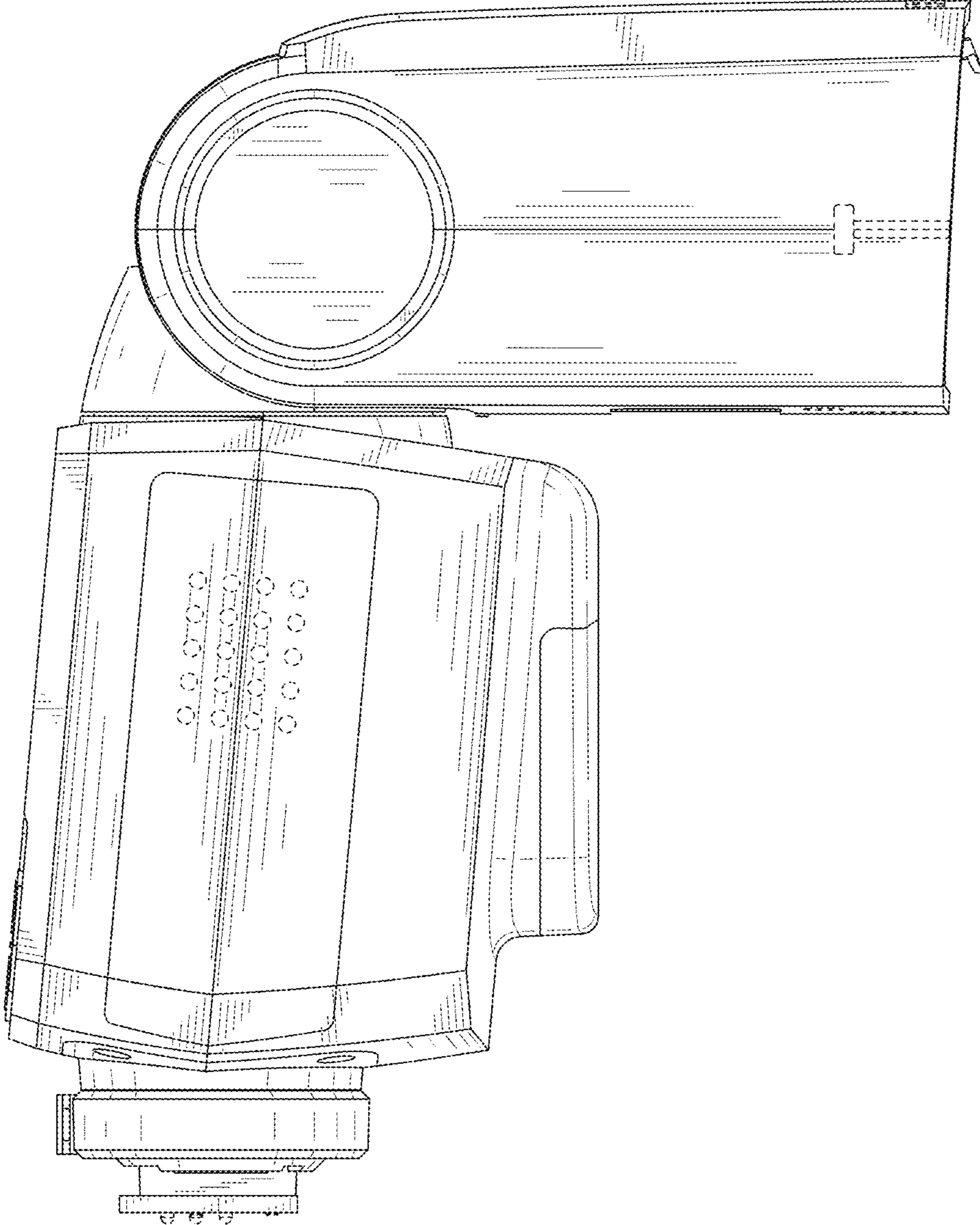


FIG. 6

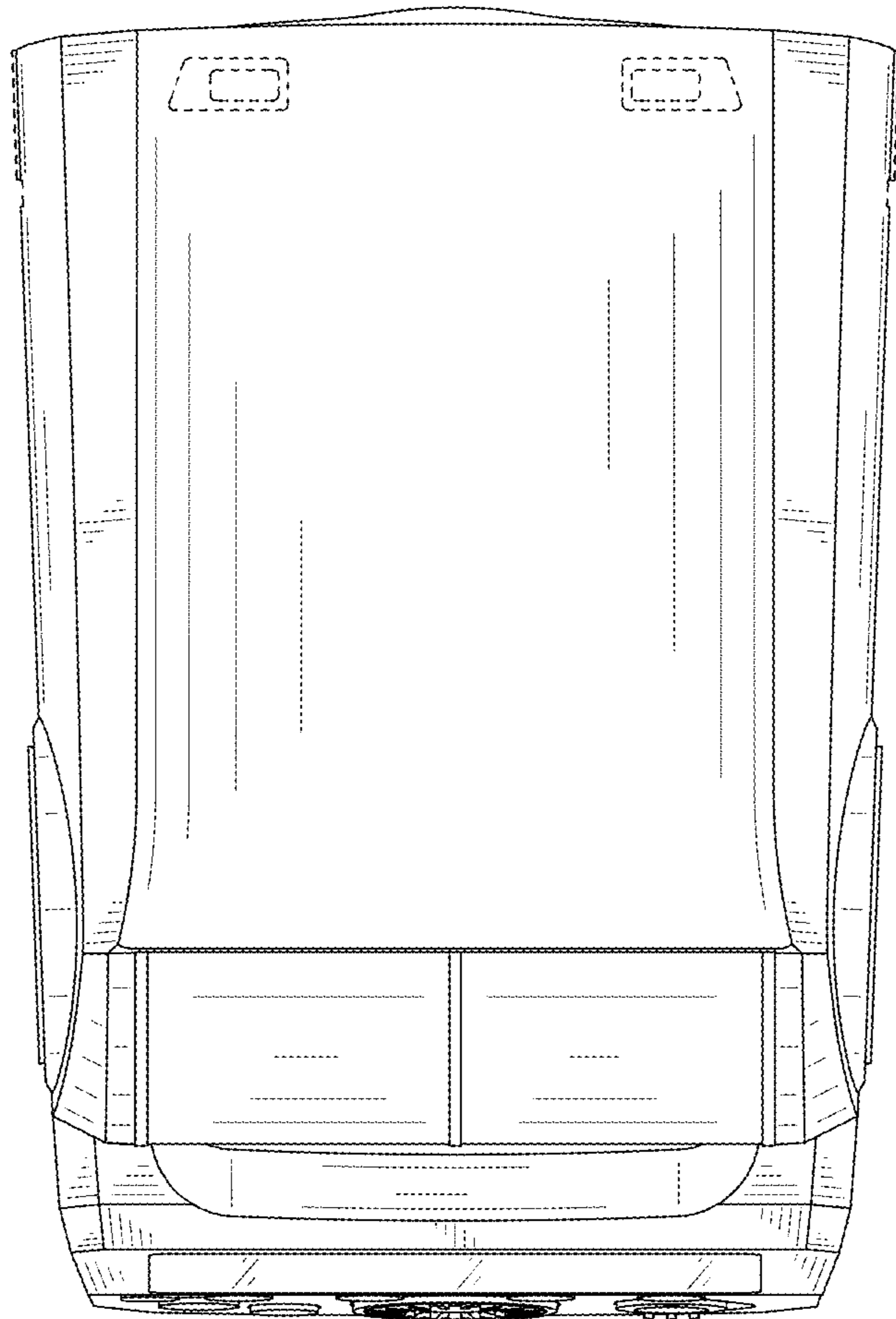


FIG. 7

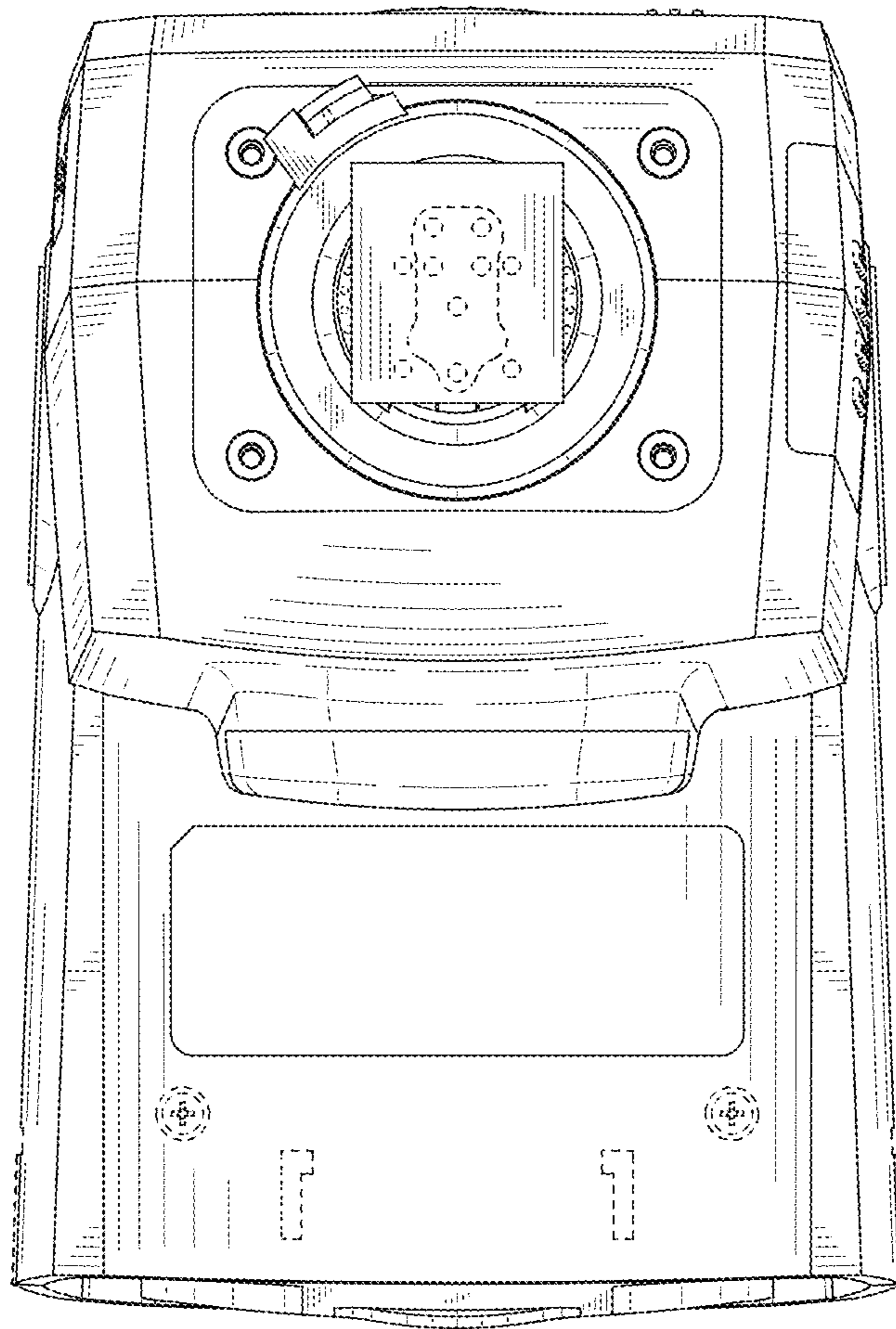


FIG. 8

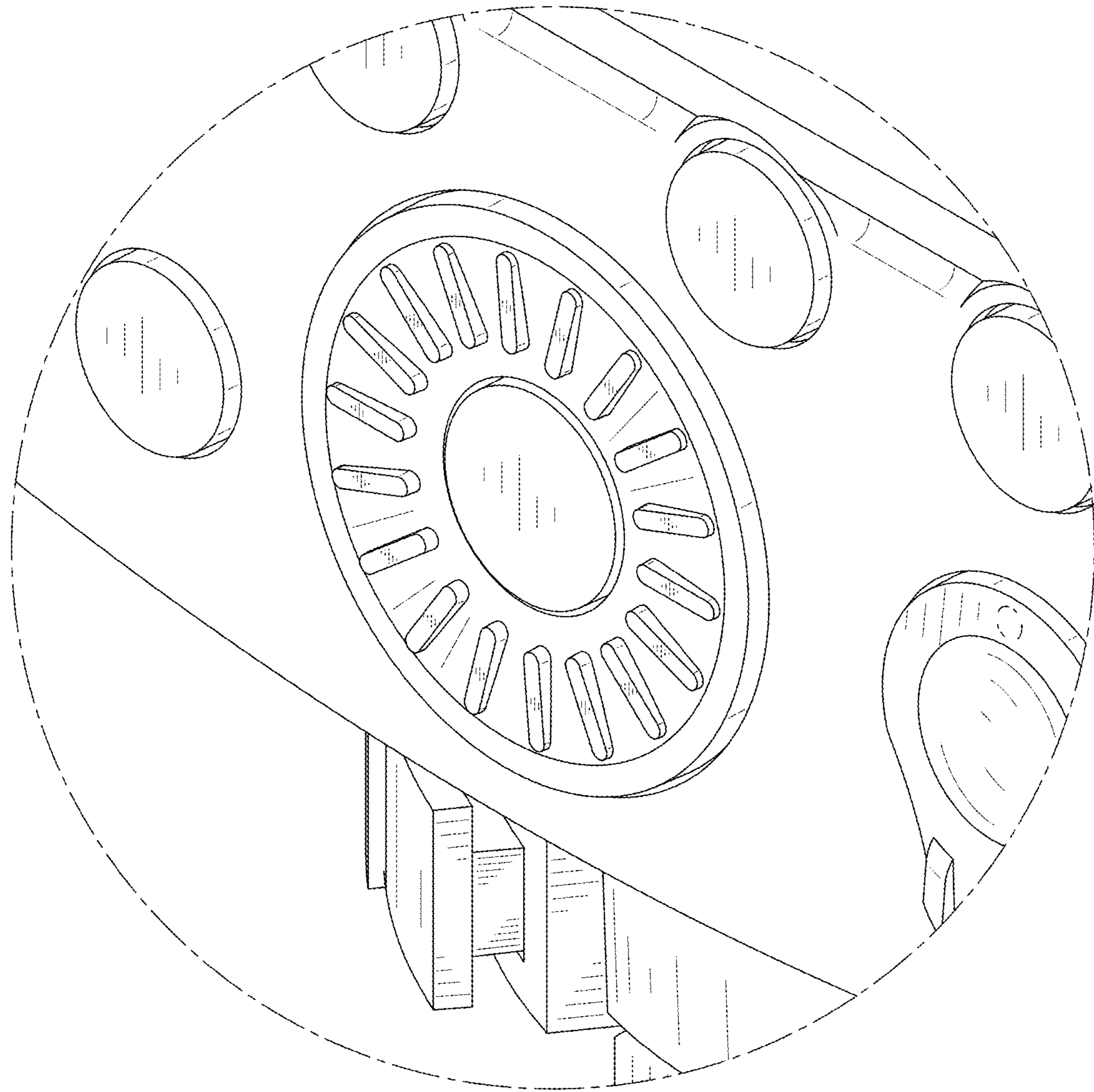


FIG. 9

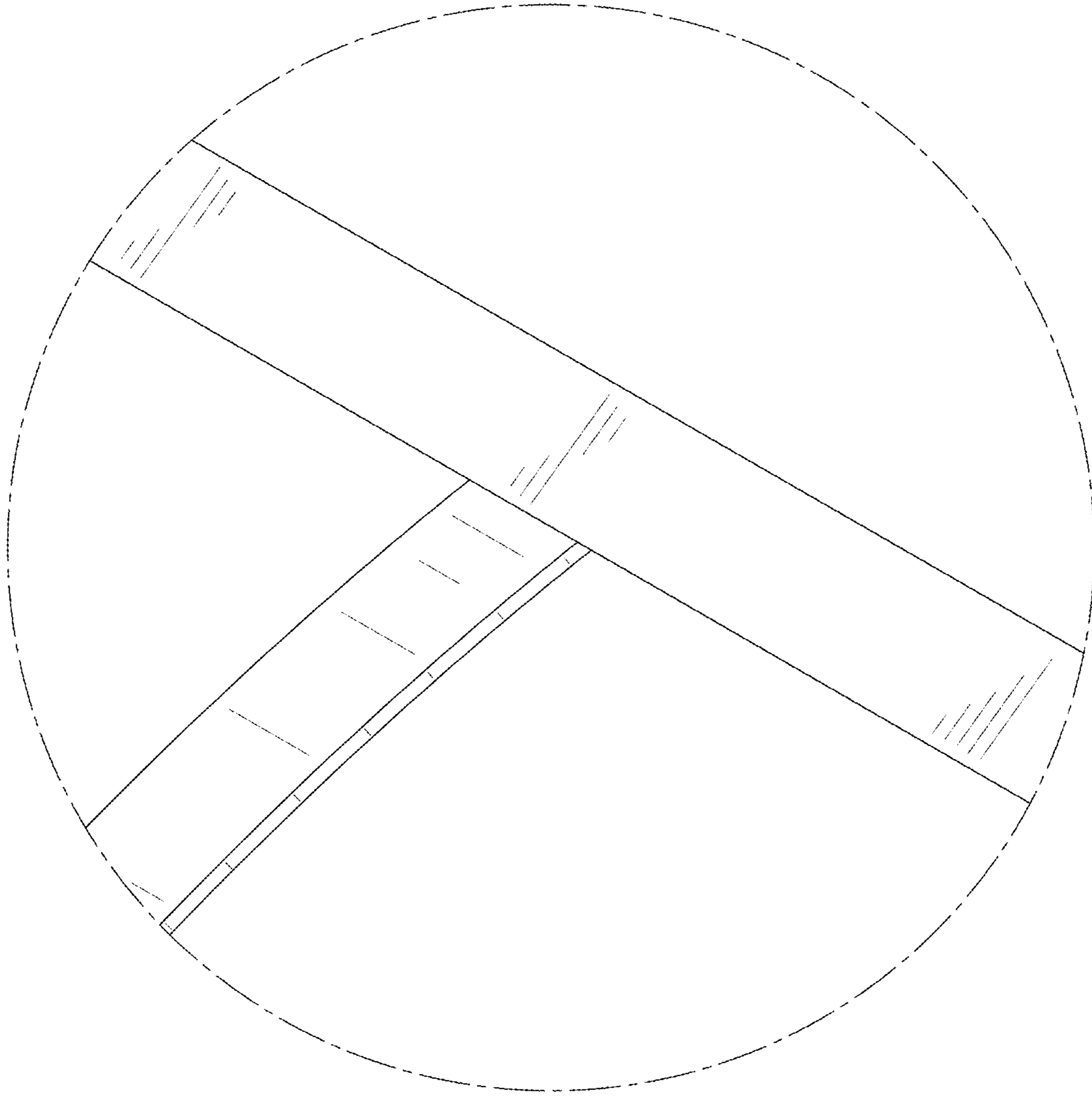


FIG. 10

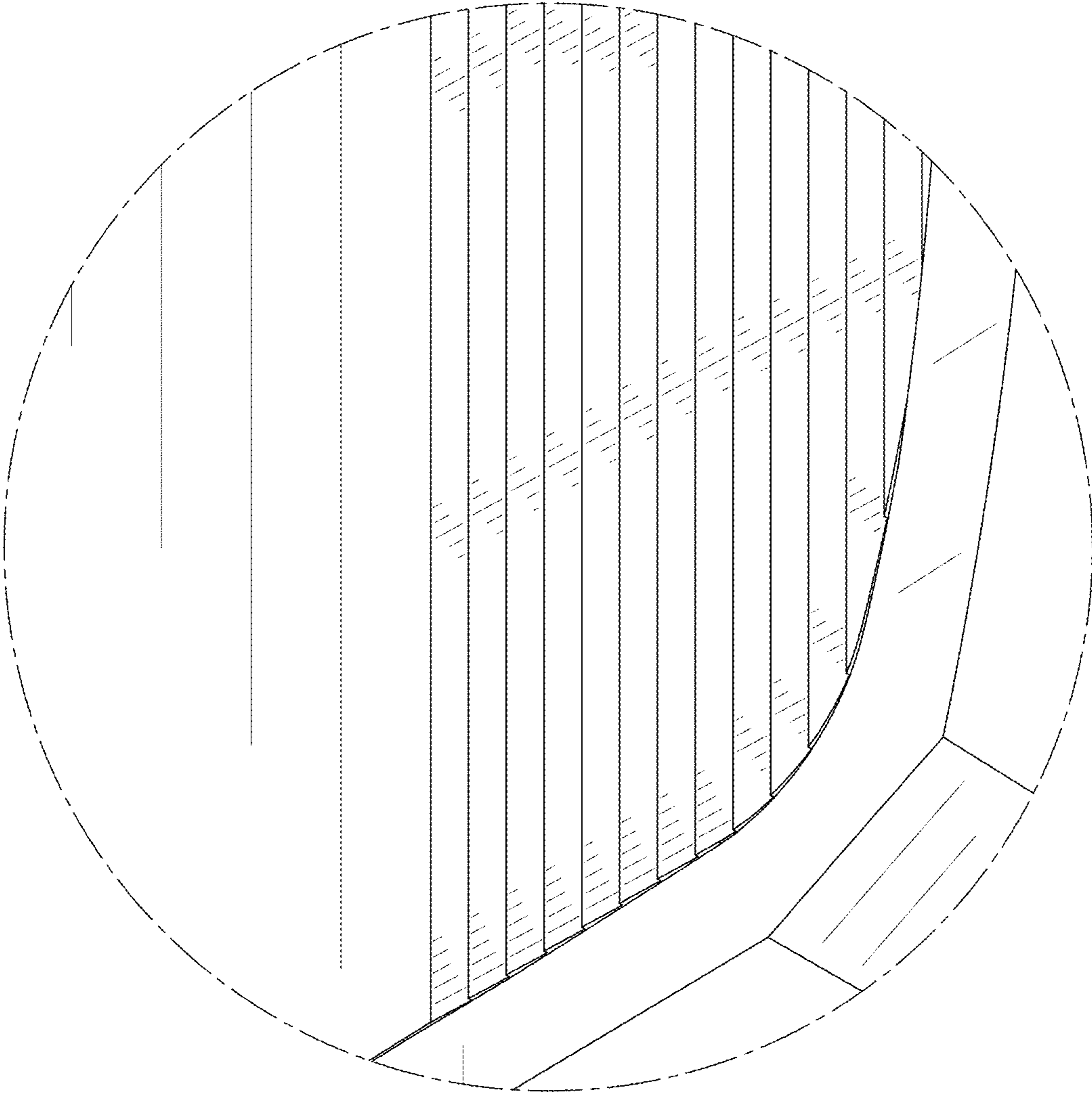


FIG. 11

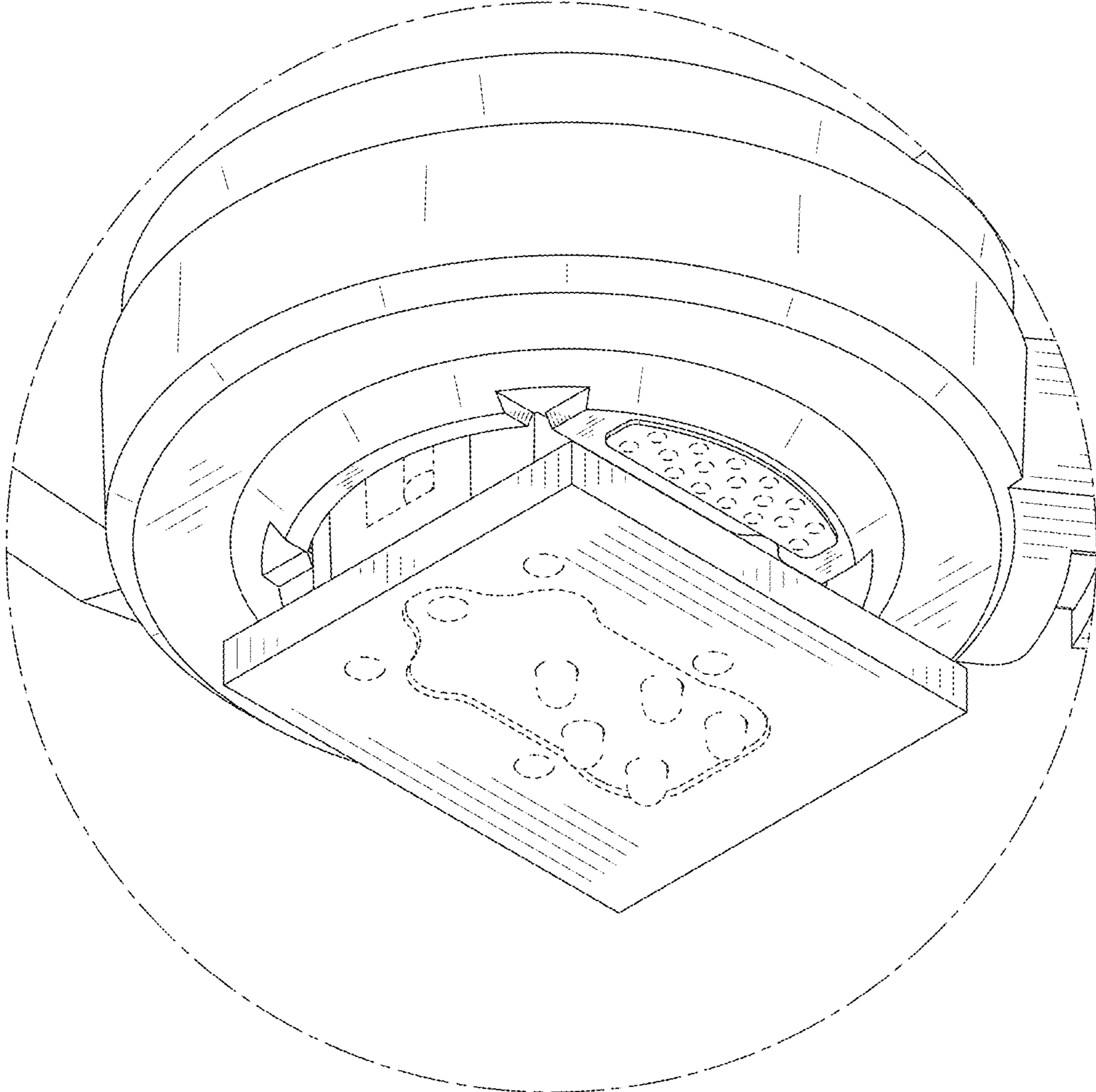


FIG. 12