



US00D970593S

(12) **United States Design Patent**
Muhlenkamp, IV et al.

(10) **Patent No.:** **US D970,593 S**
(45) **Date of Patent:** **** Nov. 22, 2022**

(54) **REMOTE CONTROL**

(71) Applicant: **GoPro, Inc.**, San Mateo, CA (US)

(72) Inventors: **John George Muhlenkamp, IV**,
Brisbane, CA (US); **Scott Alberstein**,
San Francisco, CA (US); **Daniel J.**
Coster, Oakura (NZ); **Bessy Liang**, San
Jose, CA (US)

(73) Assignee: **GoPro, Inc.**, San Mateo, CA (US)

(**) Term: **15 Years**

(21) Appl. No.: **29/817,145**

(22) Filed: **Nov. 29, 2021**

Related U.S. Application Data

(62) Division of application No. 29/746,746, filed on Aug.
17, 2020, now Pat. No. Des. 946,075.

(51) **LOC (13) Cl.** **16-05**

(52) **U.S. Cl.**
USPC **D16/237**; D14/218

(58) **Field of Classification Search**
USPC D14/356, 357, 358, 388, 432, 433, 496,
D14/217, 218, 240, 242, 299, 390, 454,
D14/455; D13/158, 159, 123, 124, 162,
D13/162.1, 168, 173, 184, 199, 110, 169,
D13/170, 171; D16/237
CPC G03B 3/12; G03B 17/56; H01H 9/0235;
H04N 5/232; H04N 21/42224; H04N
21/42225

See application file for complete search history.

(56) **References Cited**

U.S. PATENT DOCUMENTS

D273,786 S * 5/1984 Owerko D13/168
D285,542 S * 9/1986 Tanaka D13/168
D293,088 S 12/1987 Brown
D317,310 S * 6/1991 Schwartz D14/218

D317,593 S 6/1991 Rowen
D333,635 S 3/1993 Issa
D356,746 S 3/1995 Dziersk
D357,639 S 4/1995 Flick
D357,919 S 5/1995 Tsui

(Continued)

OTHER PUBLICATIONS

Suptig Remote WiFi Remote. (online) 13 pgs. { Retrieved 2021-08-251 Available Jun. 4, 2018 https://www.amazon.com/Suptig-Remote-Session-Waterproof-Wireless/dp/B07DJDS77K/ref=psdc_14015071_t3_B092MY557Z.

(Continued)

Primary Examiner — Marie D. Fast Horse

(74) *Attorney, Agent, or Firm* — Young Basile Hanlon & MacFarlane, P.C.

(57) **CLAIM**

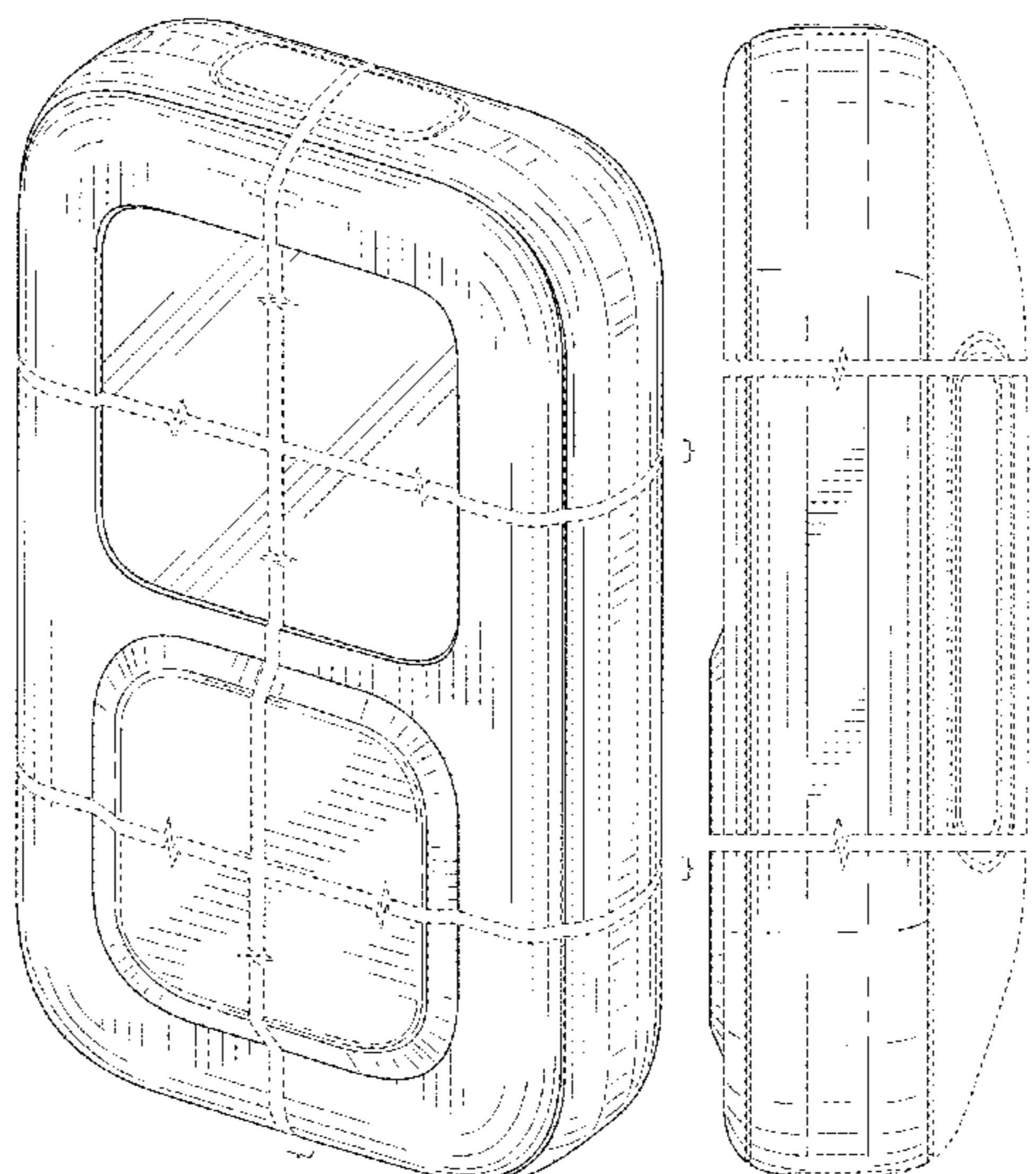
The ornamental design for a remote control, as shown and described.

DESCRIPTION

FIG. 1 is a front, upper, right perspective view of a remote control of our new design;
FIG. 2 is a rear, lower, left perspective view thereof;
FIG. 3 is a front view thereof;
FIG. 4 is a rear view thereof;
FIG. 5 is a right view thereof;
FIG. 6 is a left view thereof;
FIG. 7 is a bottom view thereof; and,
FIG. 8 is a top view thereof.

Broken lines of equal length (e.g., dash-dash) represent unclaimed portions of the remote control and form no part of the claimed design. The remote control is shown with broken line symbolic breaks in its height and width. The appearance of any portion of the article between these broken lines, including the broken lines themselves, forms no part of the claimed design.

1 Claim, 7 Drawing Sheets



(56)

References Cited

U.S. PATENT DOCUMENTS

D358,785 S * 5/1995 Flick D10/104.1
 D366,262 S 1/1996 Inaba
 D366,665 S 1/1996 Morohoshi
 D374,693 S 10/1996 Osborne
 D377,458 S 1/1997 Tsui
 D401,911 S 12/1998 Hwang
 D405,424 S 2/1999 Winkler
 D450,313 S * 11/2001 Koinuma D14/218
 D468,274 S 1/2003 Novak
 D489,748 S 5/2004 McKay
 D494,144 S 8/2004 Guzman
 D503,687 S 4/2005 Hoffman
 7,239,227 B1 7/2007 Gupta
 D556,701 S 12/2007 Nohara
 D558,790 S 1/2008 Yu
 D561,703 S 2/2008 Shimokawa
 D562,259 S * 2/2008 Kosche D13/162
 D562,273 S * 2/2008 Koyama D13/184
 D577,708 S 9/2008 Von Meiss
 D577,721 S 9/2008 O'Neil
 D592,158 S 5/2009 Peterson
 D592,607 S * 5/2009 Felegy, Jr. D13/168
 D596,623 S 7/2009 Laine
 D604,761 S 11/2009 Suzuki
 D609,701 S 2/2010 Hou
 D611,915 S 3/2010 Felegy, Jr.
 D617,746 S 6/2010 Choi
 D628,153 S 11/2010 Fujii
 D635,174 S 3/2011 Stewart
 D638,048 S 5/2011 Kim
 D638,806 S 5/2011 Kim
 D638,819 S 5/2011 Shum
 7,978,119 B2 7/2011 Heigl
 D643,398 S 8/2011 Karsten
 D660,809 S 5/2012 Kern Koskela
 D661,282 S 6/2012 Tatara
 D667,382 S 9/2012 Cosentino
 D669,847 S 10/2012 Jadraque Aznarez
 D678,258 S 3/2013 Seto
 D680,063 S 4/2013 Sasada
 D682,806 S 5/2013 Smith
 D692,939 S 11/2013 Huang
 D693,798 S 11/2013 Chuang
 D701,496 S 3/2014 Namminga
 D703,154 S 4/2014 Clymer

D703,721 S 4/2014 Hayashi
 D705,748 S 5/2014 He
 D708,977 S 7/2014 Corso
 D718,720 S 12/2014 Rader
 D719,534 S 12/2014 Woodman
 D721,660 S 1/2015 Wang
 D726,107 S 4/2015 Mudge
 D726,663 S 4/2015 Clymer
 D731,469 S 6/2015 Turksu
 D733,788 S 7/2015 Baker
 D735,147 S * 7/2015 Willcocks D13/168
 D735,179 S 7/2015 Yang
 D740,285 S 10/2015 Templeton
 D740,286 S 10/2015 Templeton
 D749,666 S 2/2016 Ahdoot
 D754,081 S 4/2016 Woodman
 D766,218 S 9/2016 Yang
 D774,455 S 12/2016 Kim
 D778,265 S 2/2017 Parfitt
 D782,976 S 4/2017 Zhang
 D784,259 S 4/2017 Huang
 D786,674 S 5/2017 Miller
 D800,820 S 10/2017 Bergman
 D802,650 S 11/2017 Hoshi
 D811,351 S 2/2018 O'Connell
 D816,057 S 4/2018 Jue
 D846,530 S 4/2019 Pellattiero
 D862,398 S 10/2019 Schindler
 D901,447 S 11/2020 Debock
 D913,816 S 3/2021 Fu
 D940,083 S * 1/2022 Bi D14/218
 D940,667 S * 1/2022 Bi D14/218
 D946,075 S * 3/2022 Muhlenkamp, IV D16/237
 2009/0173613 A1 7/2009 Geldmacher
 2010/0060467 A1 3/2010 Kofford
 2010/0073191 A1 3/2010 Beverung
 2011/0266122 A1 * 11/2011 Zaharchuk H01H 9/18
 200/308
 2012/0228443 A1 9/2012 Du

OTHER PUBLICATIONS

GoPro Remo (Waterproof Voice Activated Remote), [online] Published date Sep. 19, 2016. Retrieved on Jun. 2, 2017 from <URL: <https://www.amazon.com/GoPro-Waterproof-Activated-Official-Accessory/dp/B01LWW1ZK9>>.

* cited by examiner

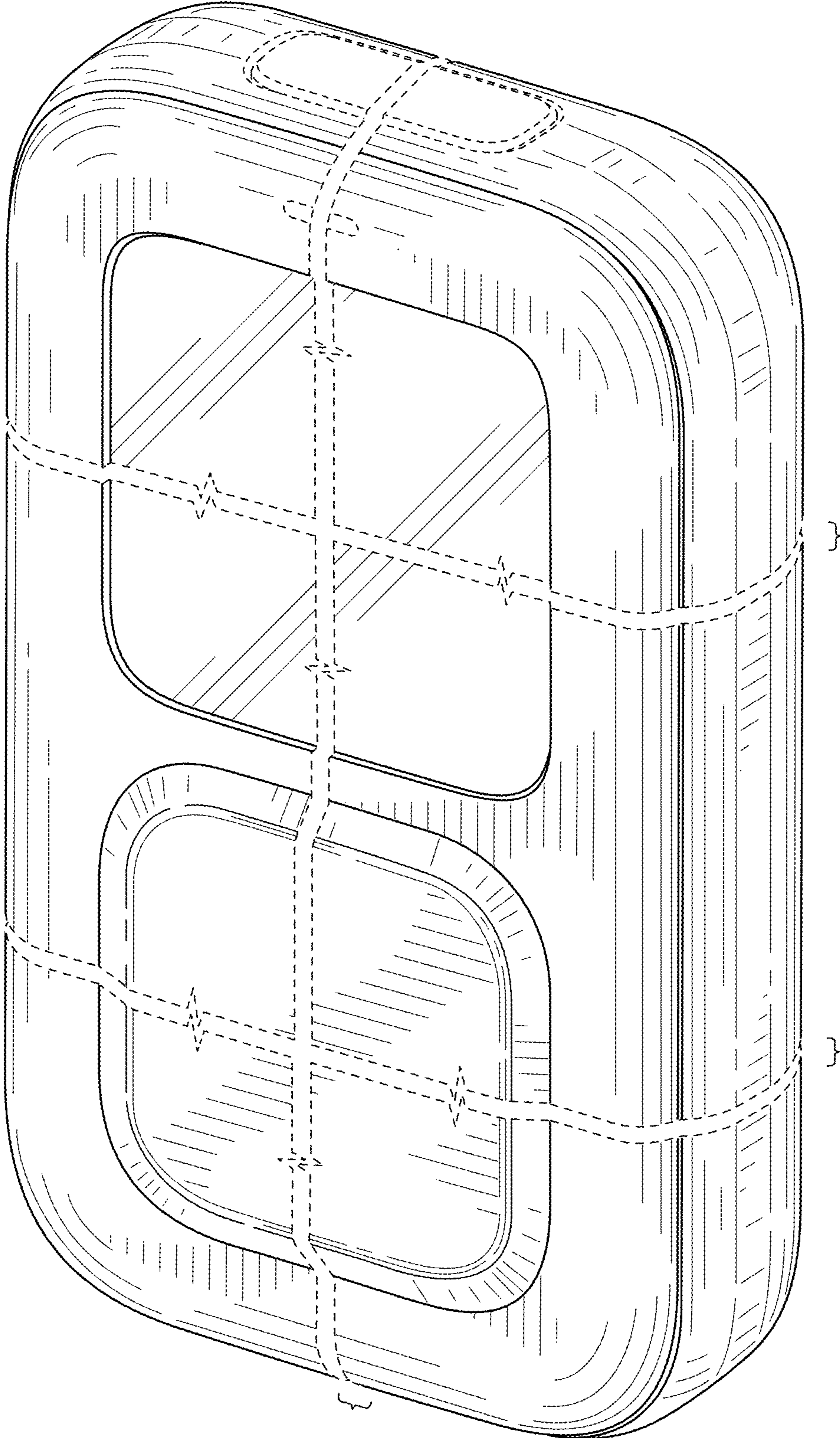


FIG. 1

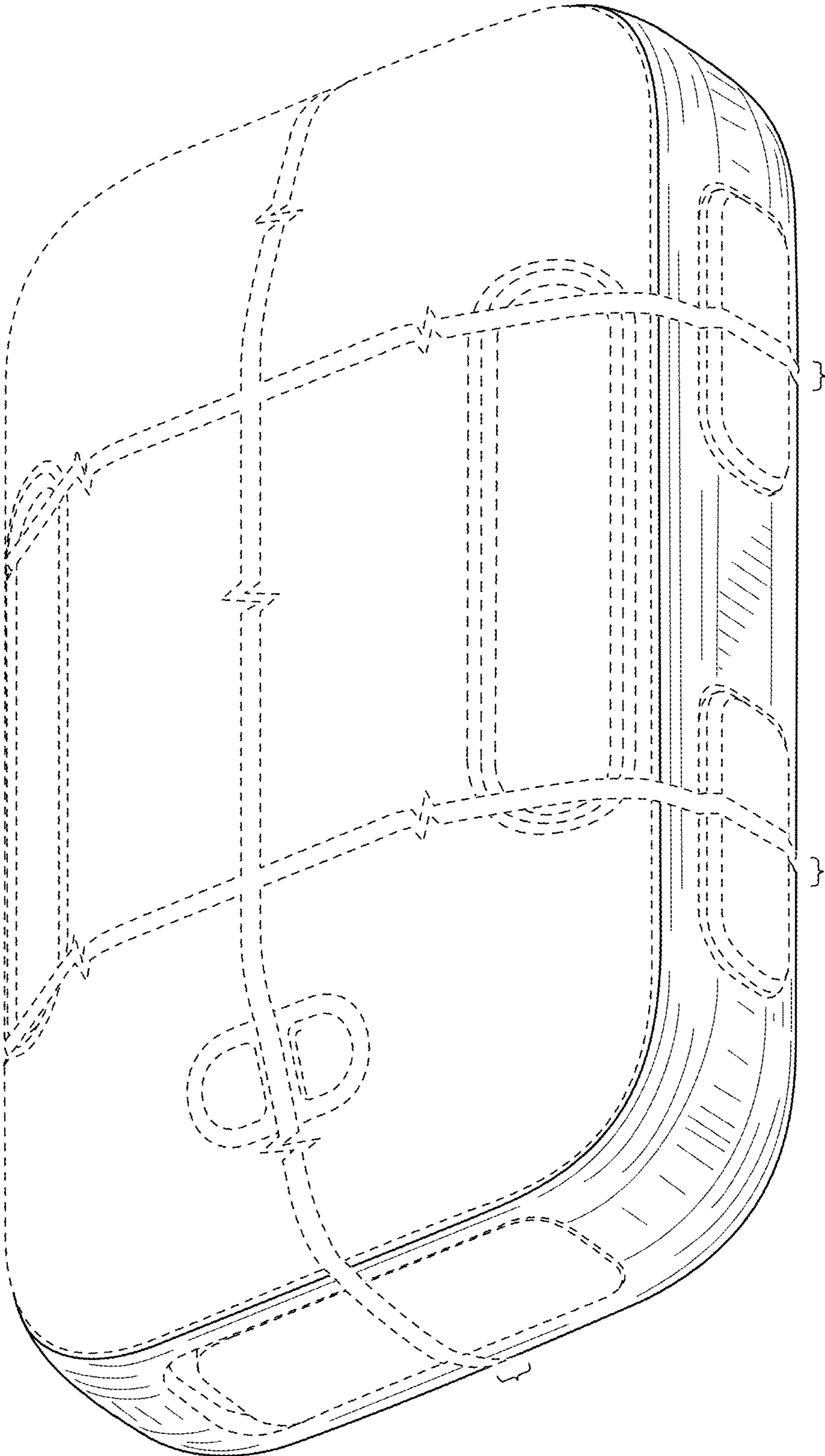


FIG. 2

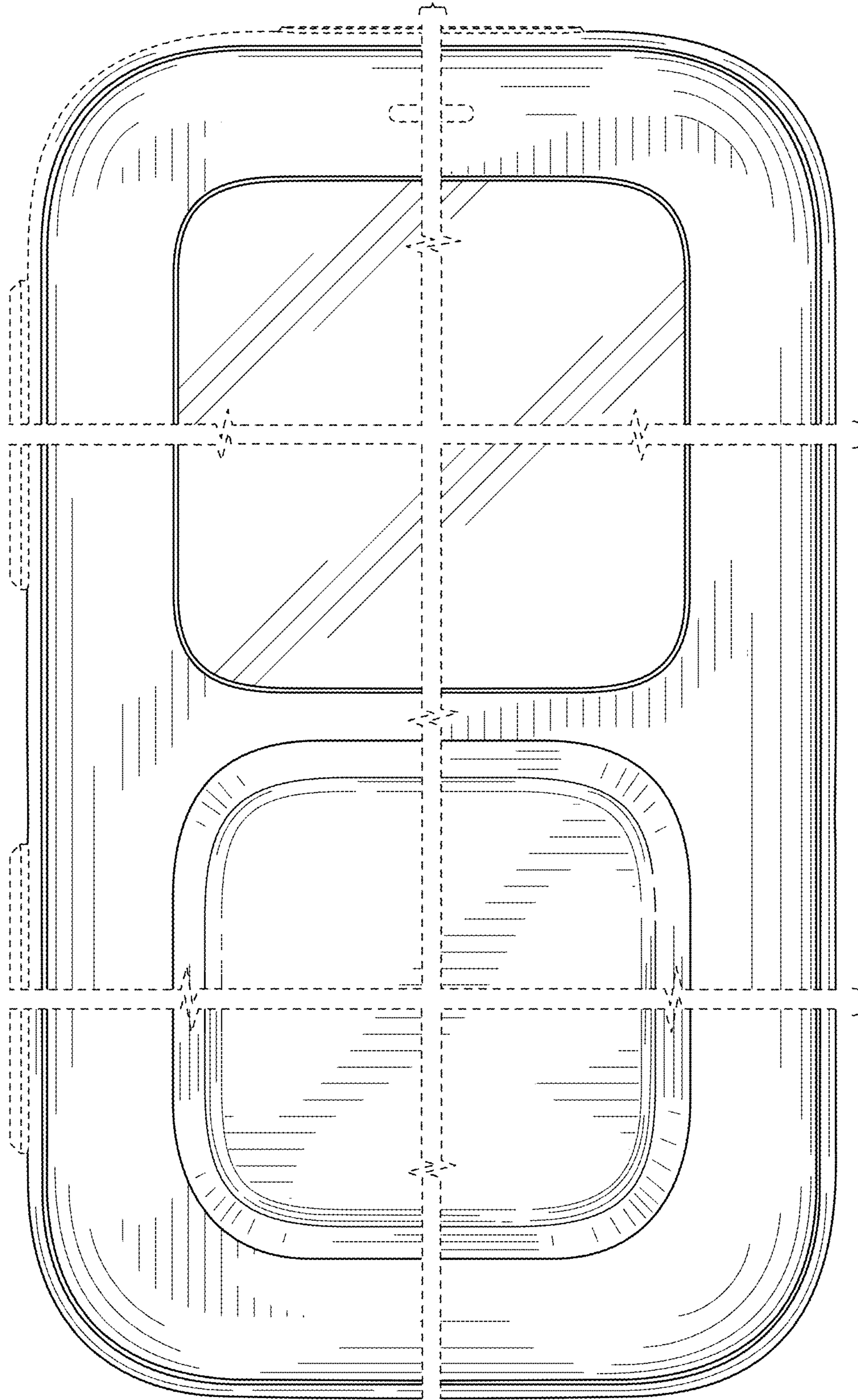


FIG. 3

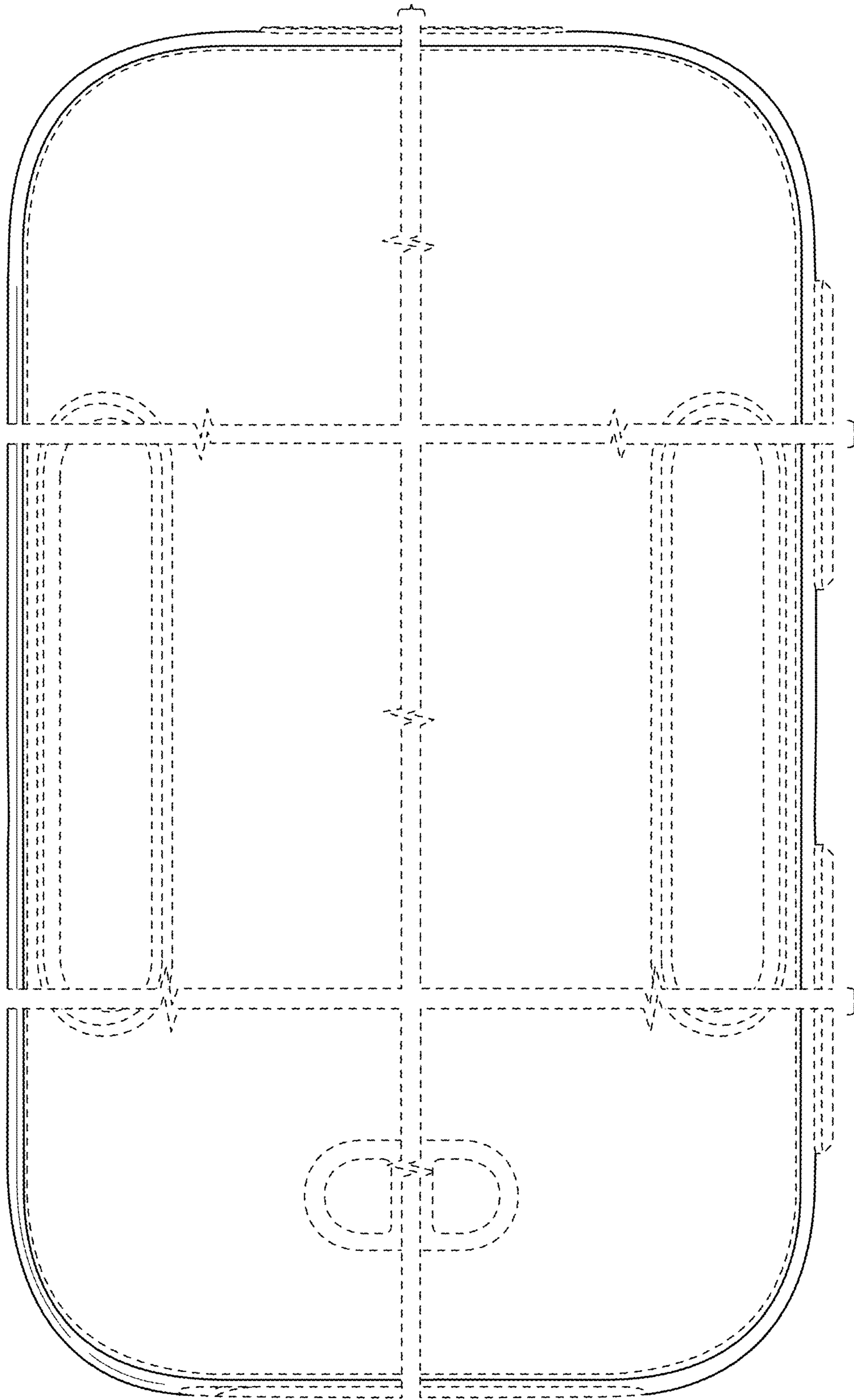


FIG. 4

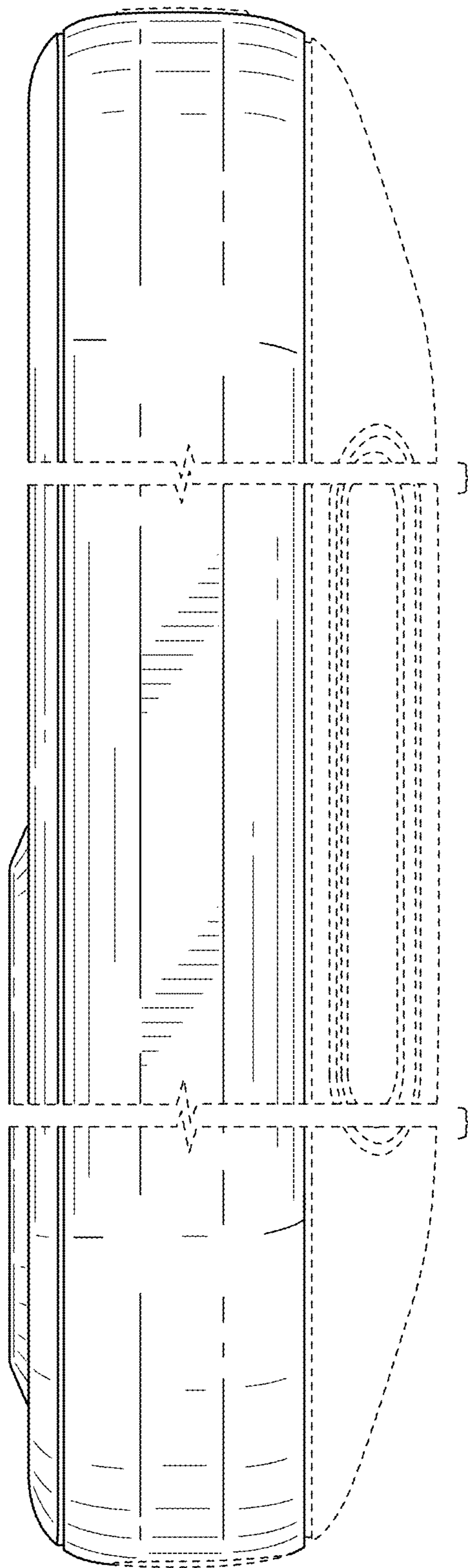


FIG. 5

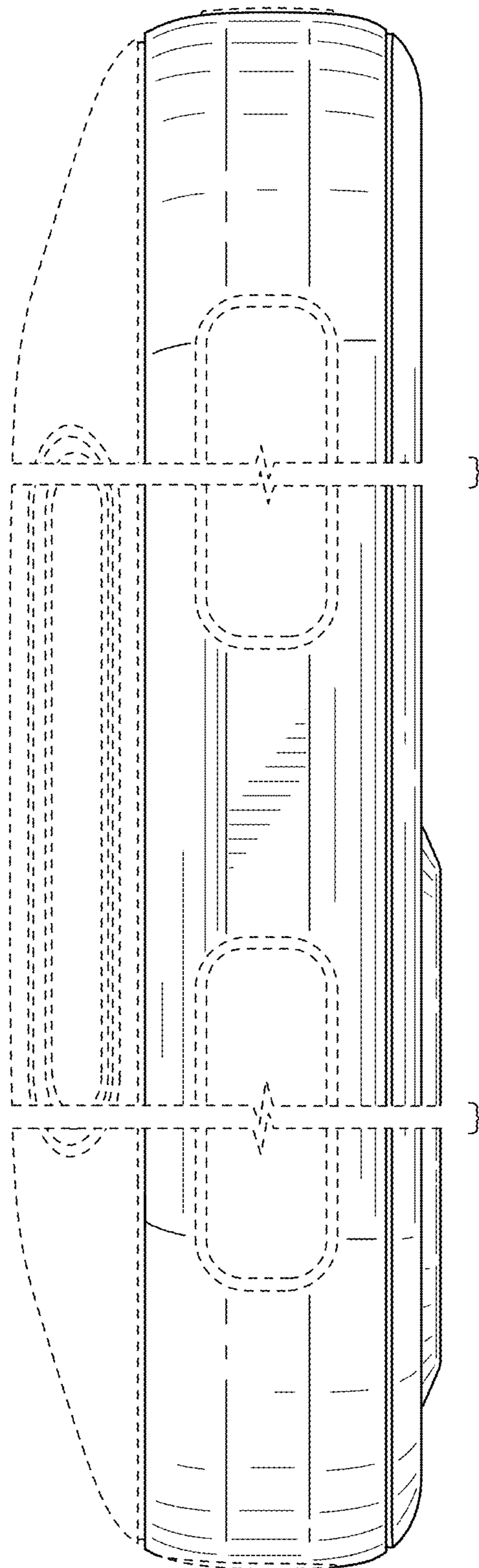


FIG. 6

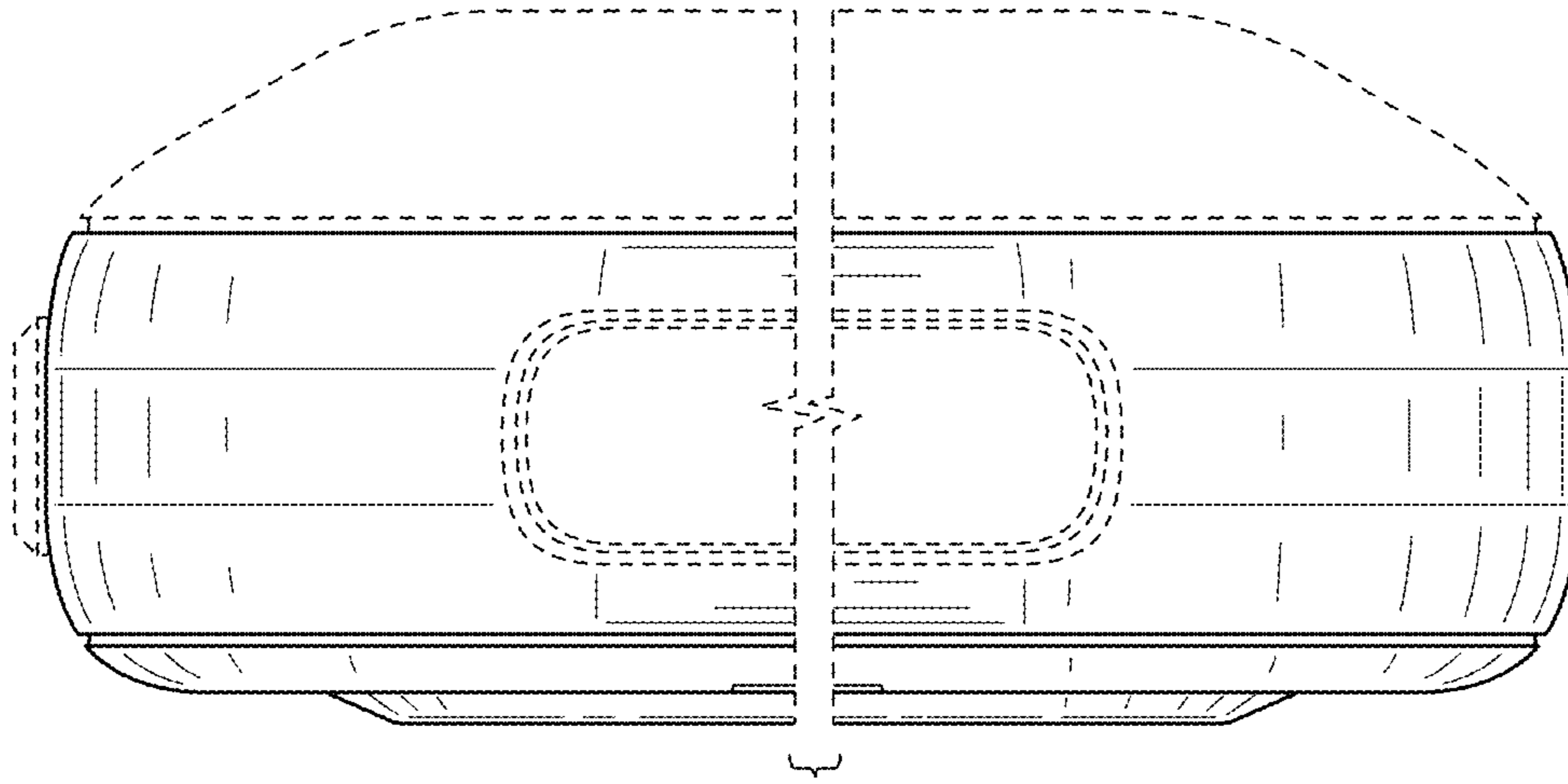


FIG. 7

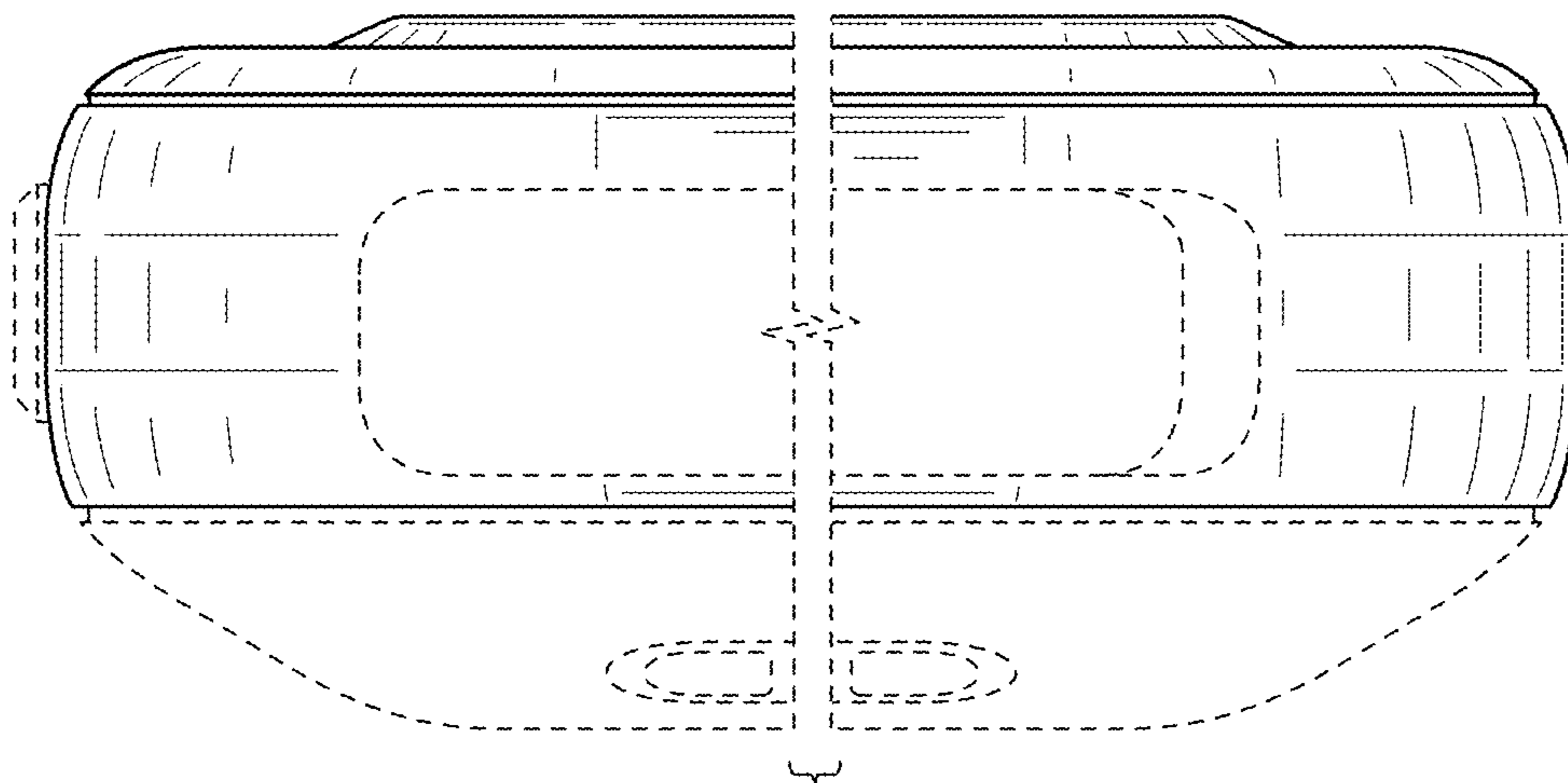


FIG. 8