



US00D970592S

(12) **United States Design Patent**  
**Zhang**

(10) **Patent No.:** **US D970,592 S**

(45) **Date of Patent:** **\*\* Nov. 22, 2022**

(54) **PROJECTOR**

(71) Applicant: **TIANJIN CHUANGKE SHANGPIN TECHNOLOGY CO., LTD.**, Tianjin (CN)

(72) Inventor: **Yin Zhang**, Beijing (CN)

(73) Assignee: **TIANJIN CHUANGKE SHANGPIN TECHNOLOGY CO., LTD.**, Tianjin (CN)

(\*\*) Term: **15 Years**

(21) Appl. No.: **29/804,927**

(22) Filed: **Aug. 24, 2021**

(51) **LOC (13) Cl.** ..... **16-02**

(52) **U.S. Cl.**  
USPC ..... **D16/230**

(58) **Field of Classification Search**  
USPC ..... D16/221, 225, 230–231, 234; D21/514  
CPC ..... G03B 21/00; G03B 21/14; G03B 21/145;  
G03B 21/16; G03B 21/001; G03B  
21/003; G03B 21/12  
See application file for complete search history.

(56) **References Cited**

**U.S. PATENT DOCUMENTS**

D520,551 S 5/2006 Salvatori et al.  
D547,352 S \* 7/2007 Tako ..... D16/230

D548,263 S \* 8/2007 Nakanishi ..... D16/230  
D557,317 S 12/2007 Schoenert et al.  
D637,641 S \* 5/2011 Lim ..... D16/230  
D640,302 S \* 6/2011 Tatara ..... D16/230  
D671,160 S \* 11/2012 Lin ..... D16/230  
D946,643 S \* 3/2022 Wei ..... D16/230

\* cited by examiner

*Primary Examiner* — Wan Laymon

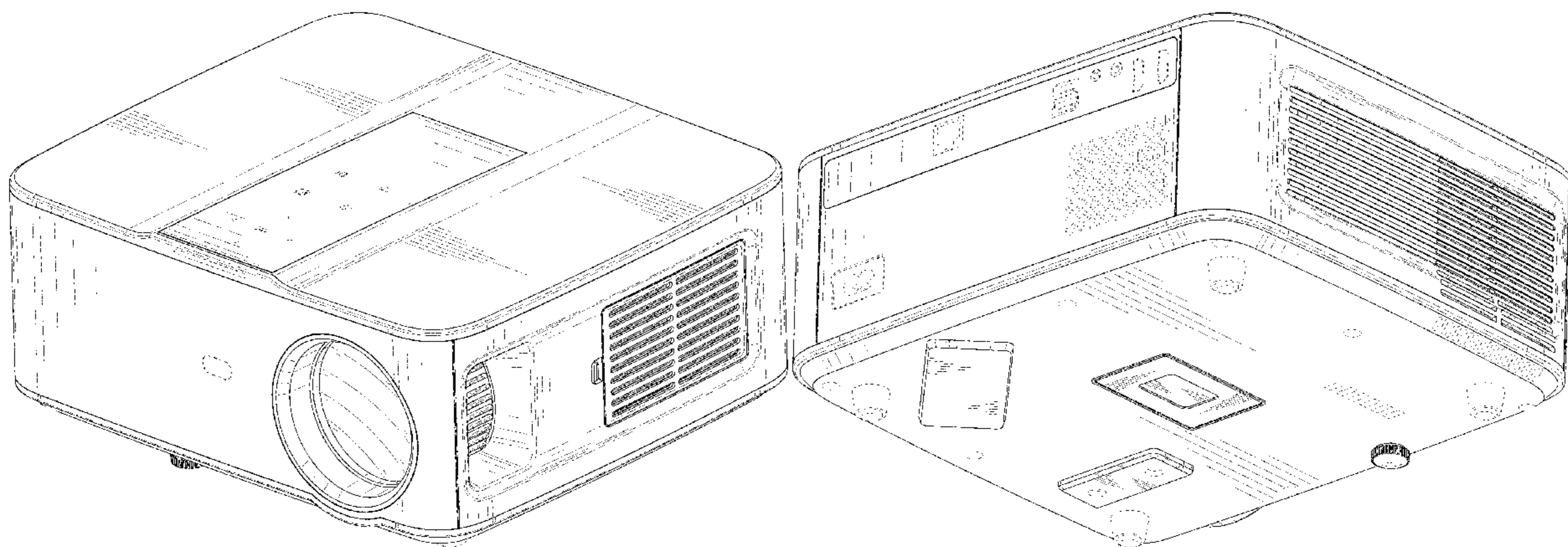
(57) **CLAIM**

The ornamental design for a projector, as shown and described.

**DESCRIPTION**

FIG. 1 is a perspective view of a projector showing my new design;  
FIG. 2 is another perspective view thereof;  
FIG. 3 is a front elevational view thereof;  
FIG. 4 is a rear elevational view thereof;  
FIG. 5 is a left side elevational view thereof;  
FIG. 6 is a right side elevational view thereof;  
FIG. 7 is a top plan view thereof;  
FIG. 8 is a bottom plan view thereof; and,  
FIG. 9 is a perspective view of the projector where the projector is in a configuration of use.  
The broken lines in the drawings depict portions of the projector that form no part of the claimed design.

**1 Claim, 9 Drawing Sheets**



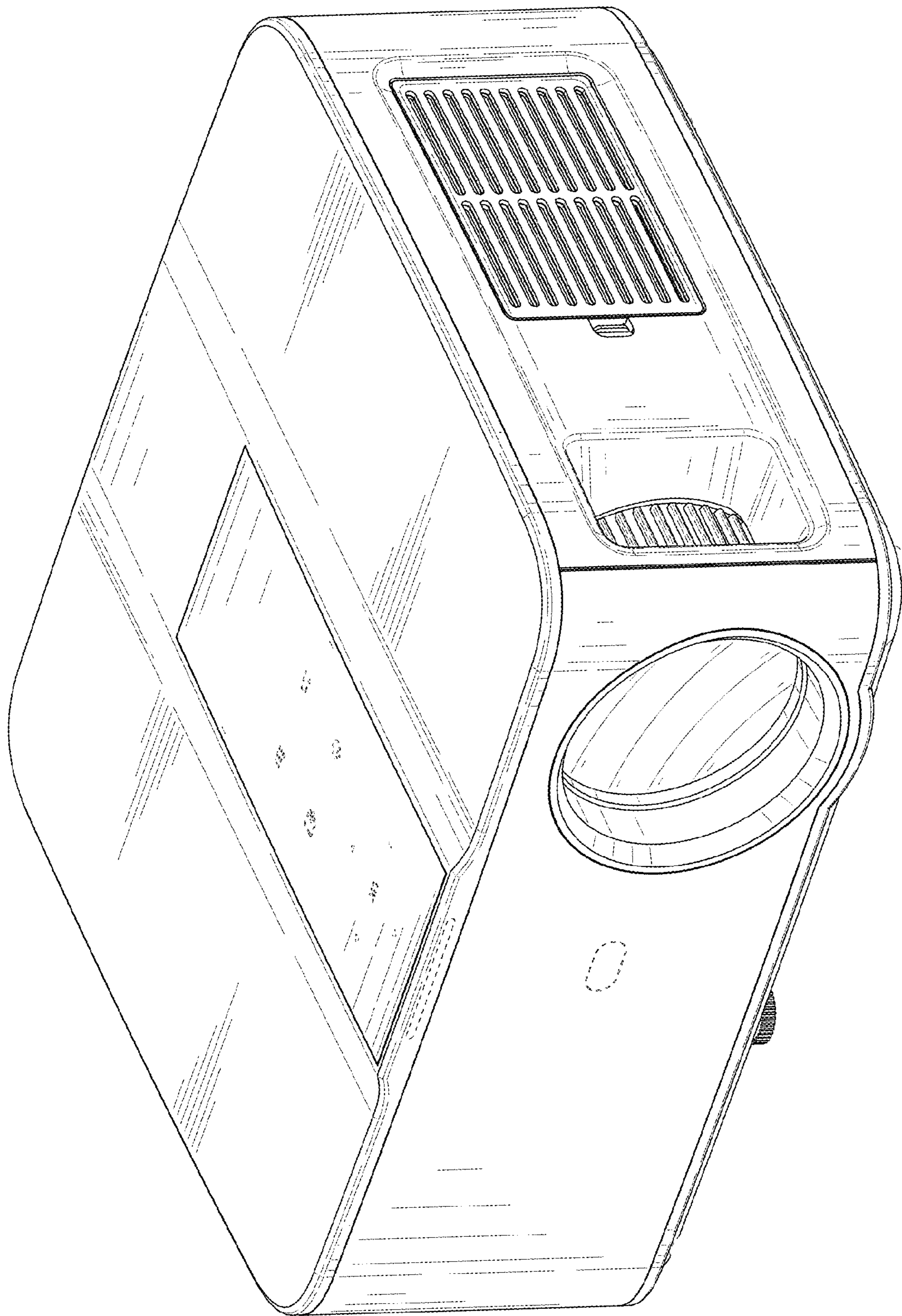


FIG. 1

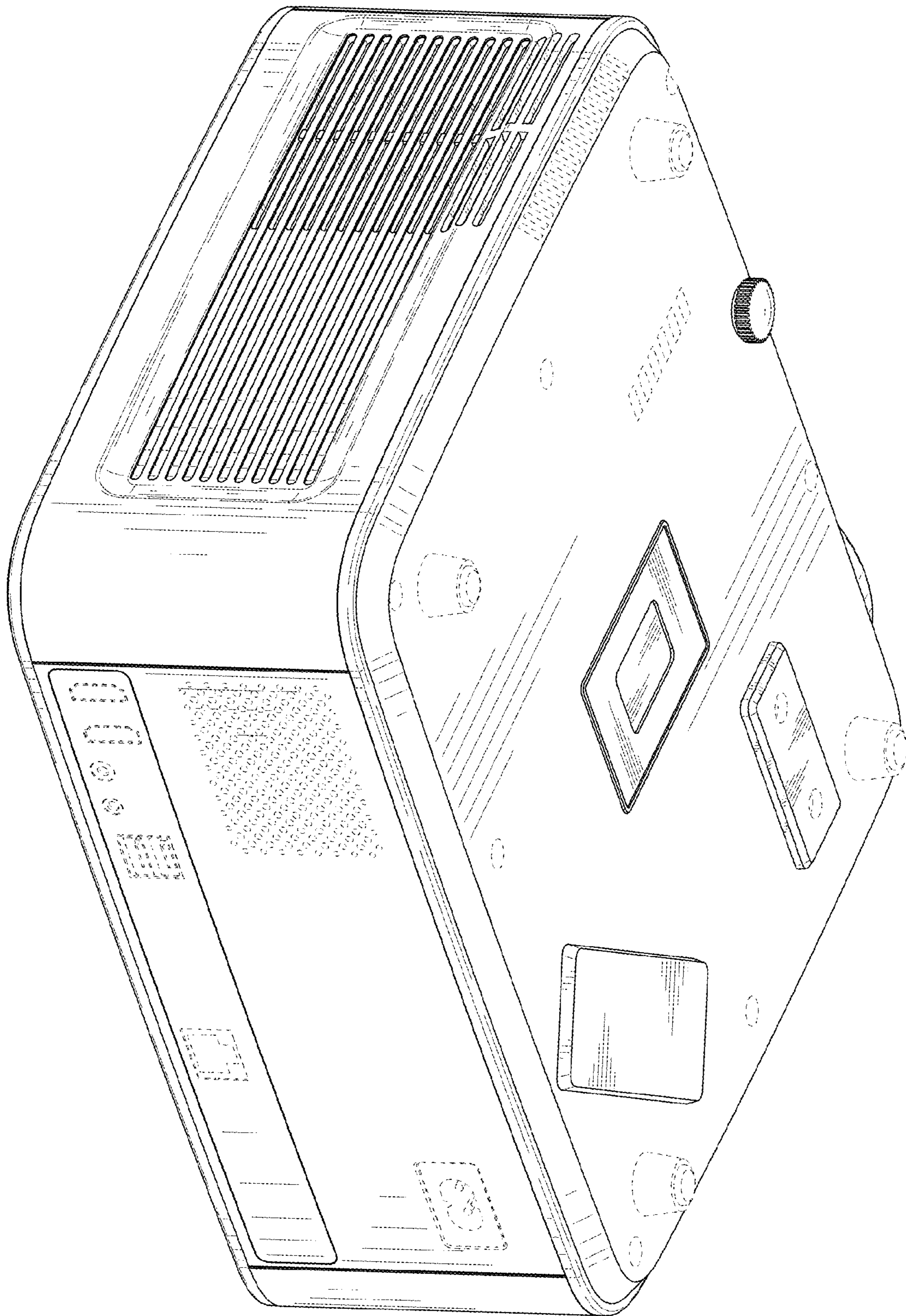


FIG. 2

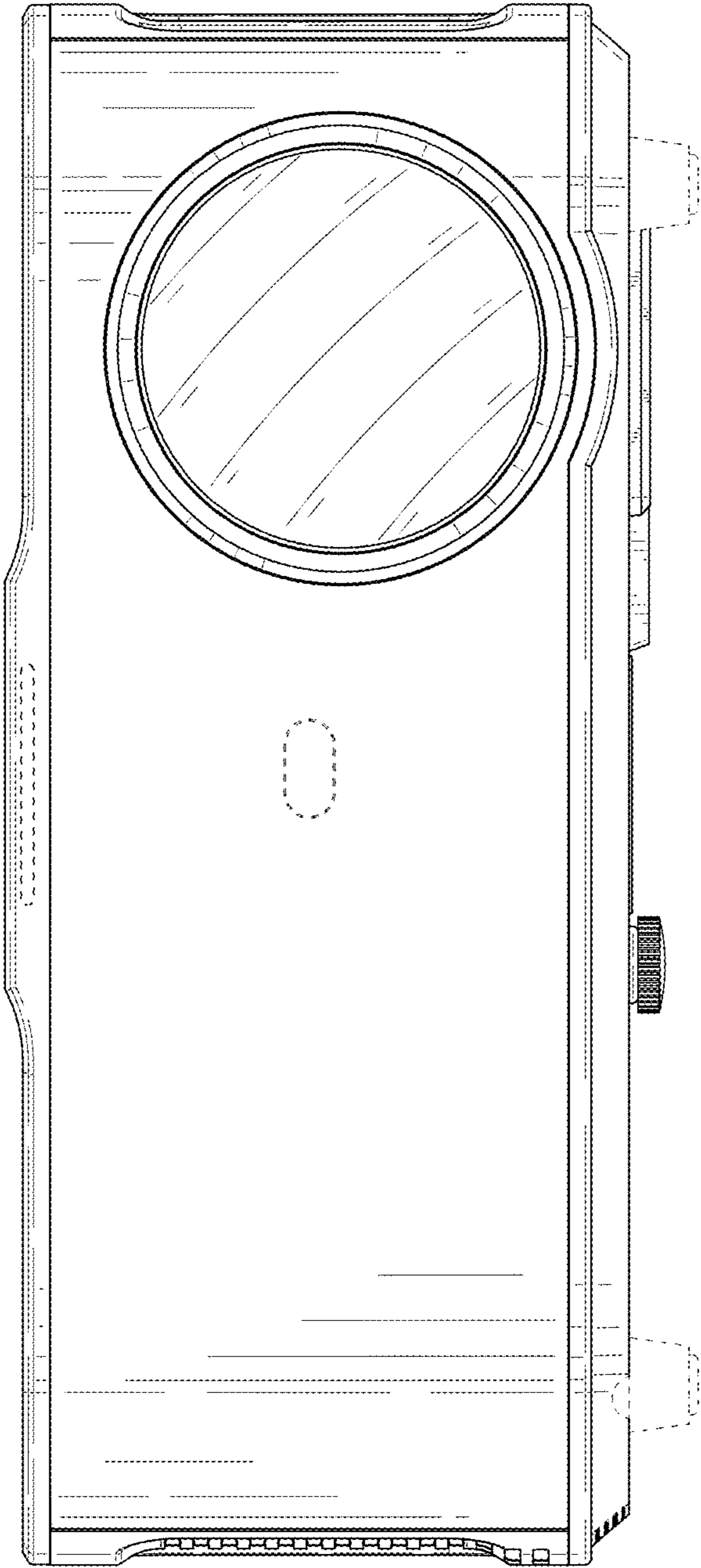


FIG. 3

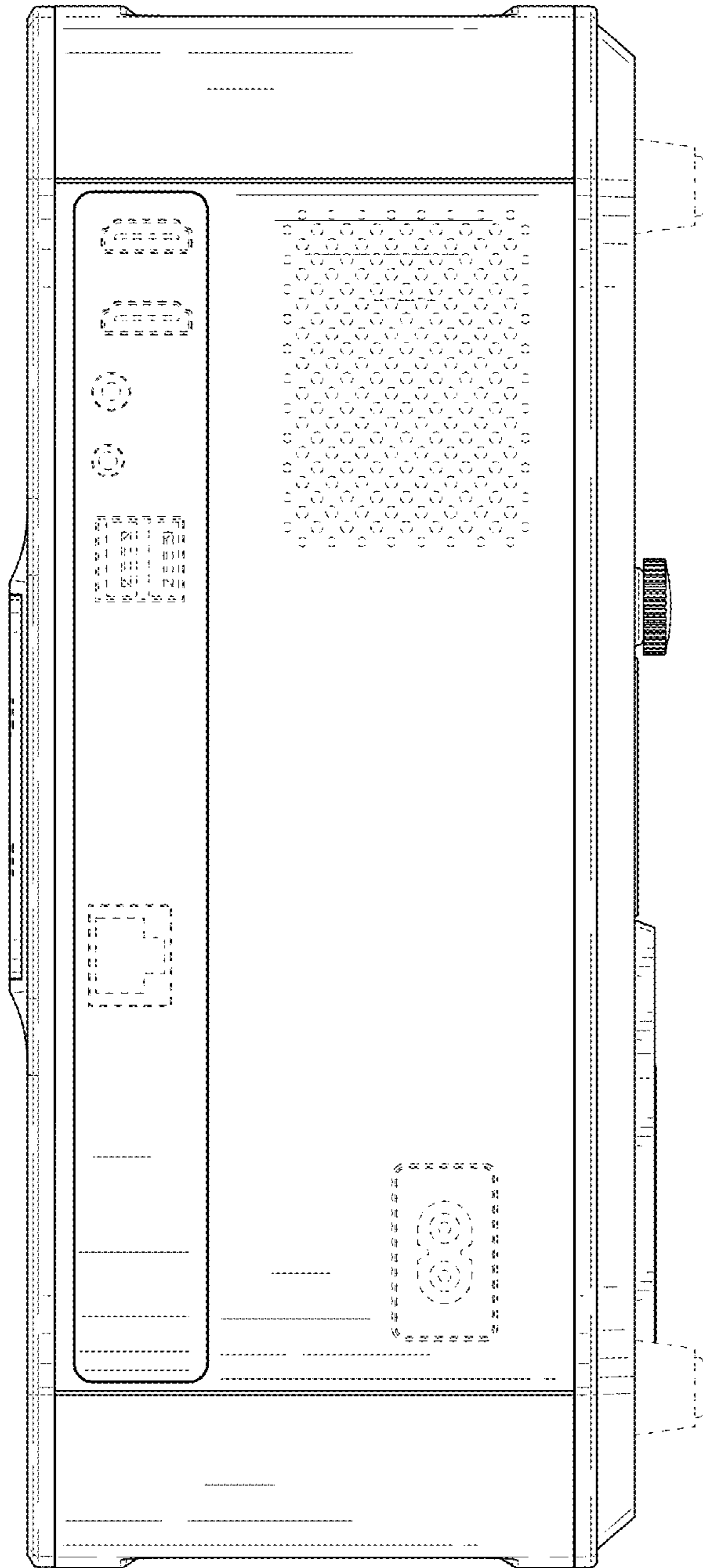


FIG. 4

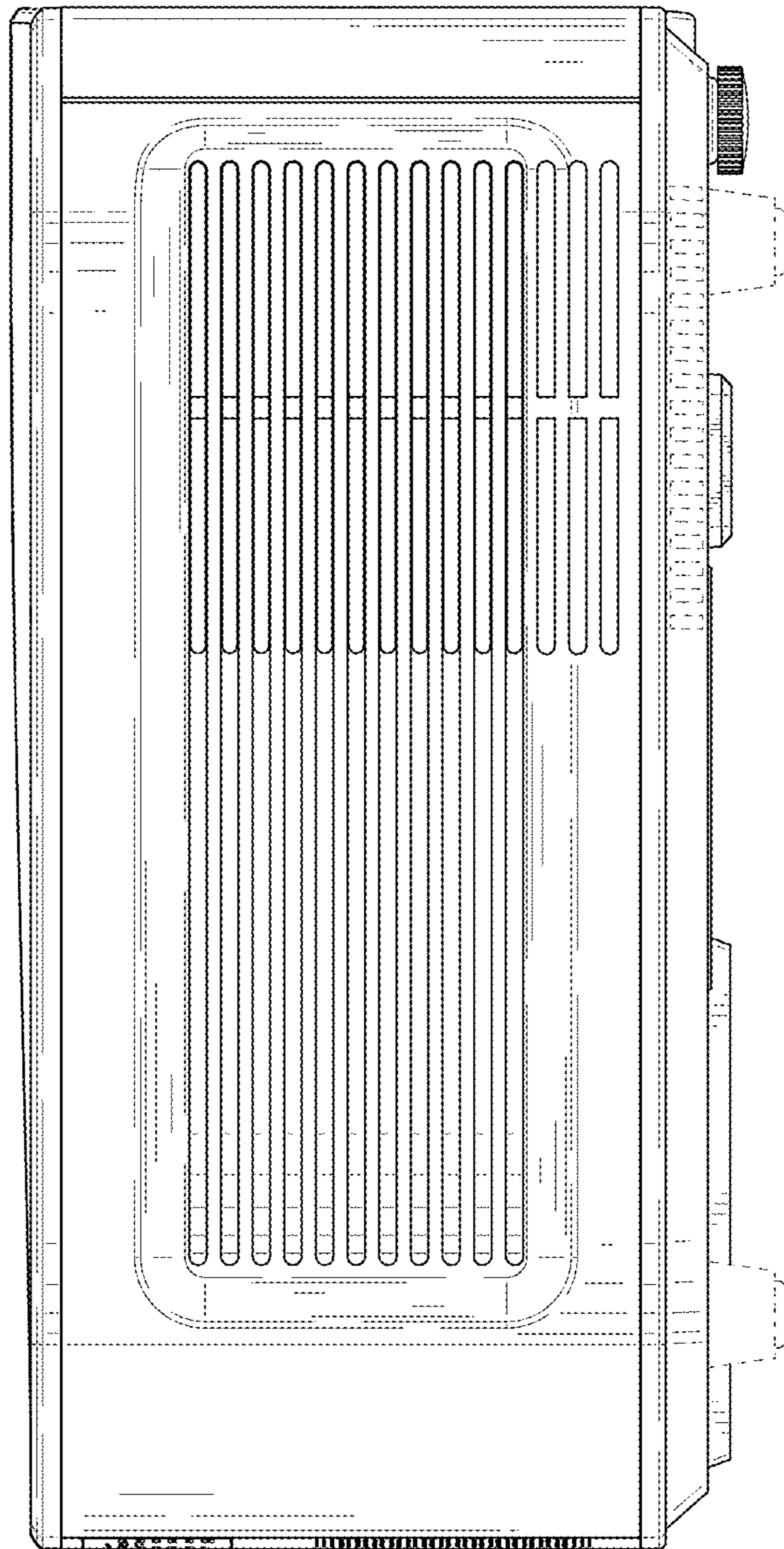


FIG. 5

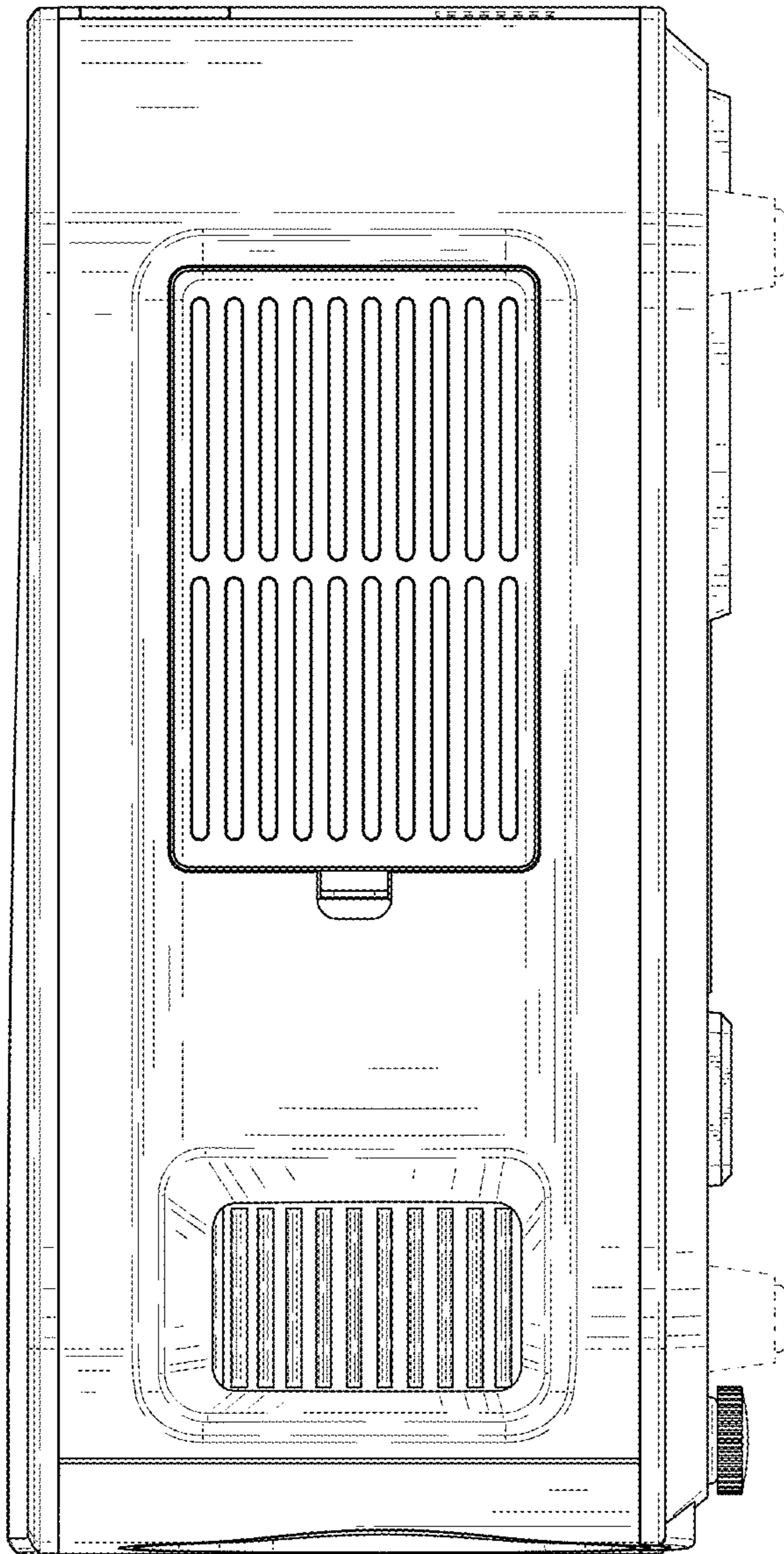


FIG. 6

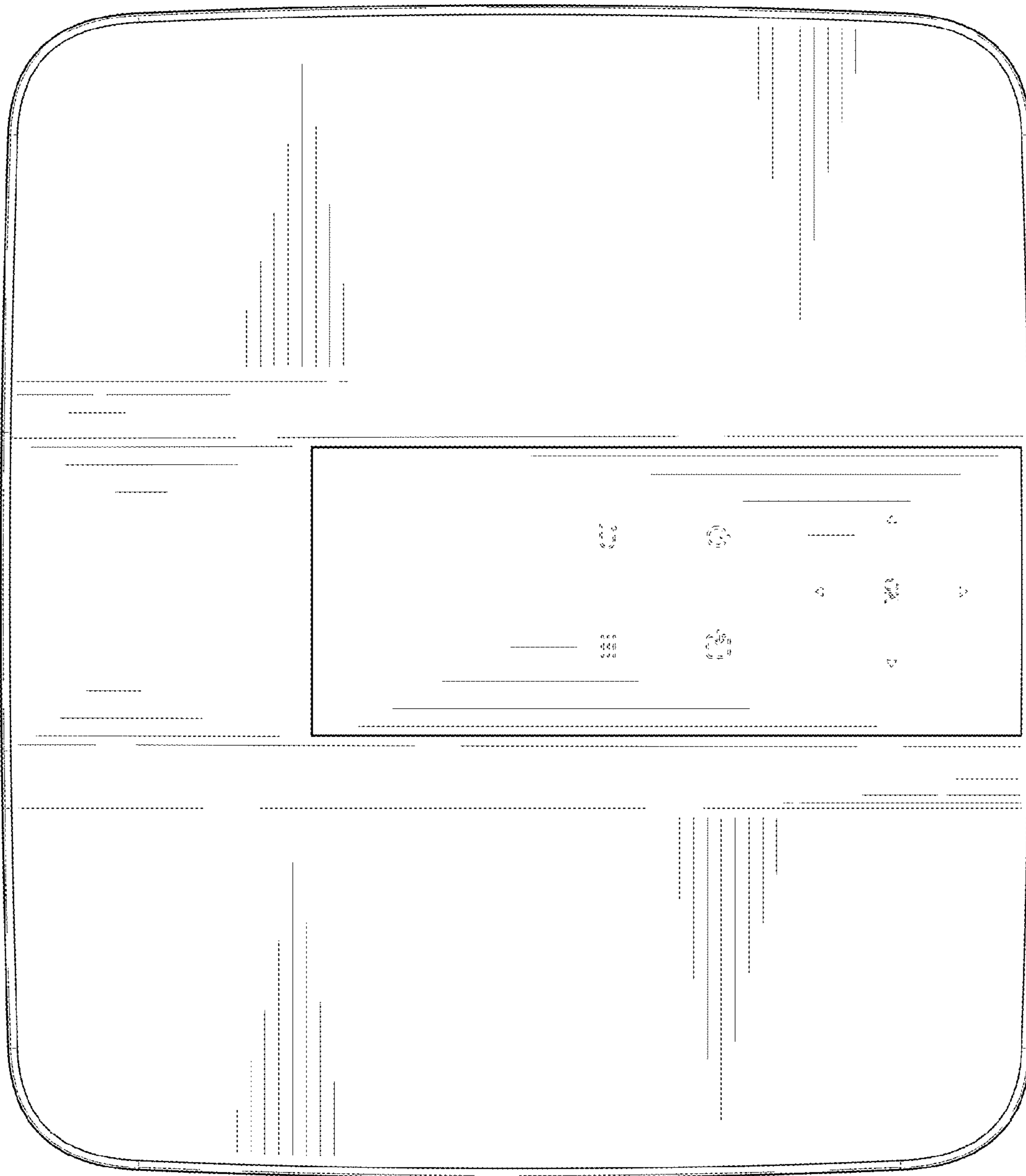


FIG. 7



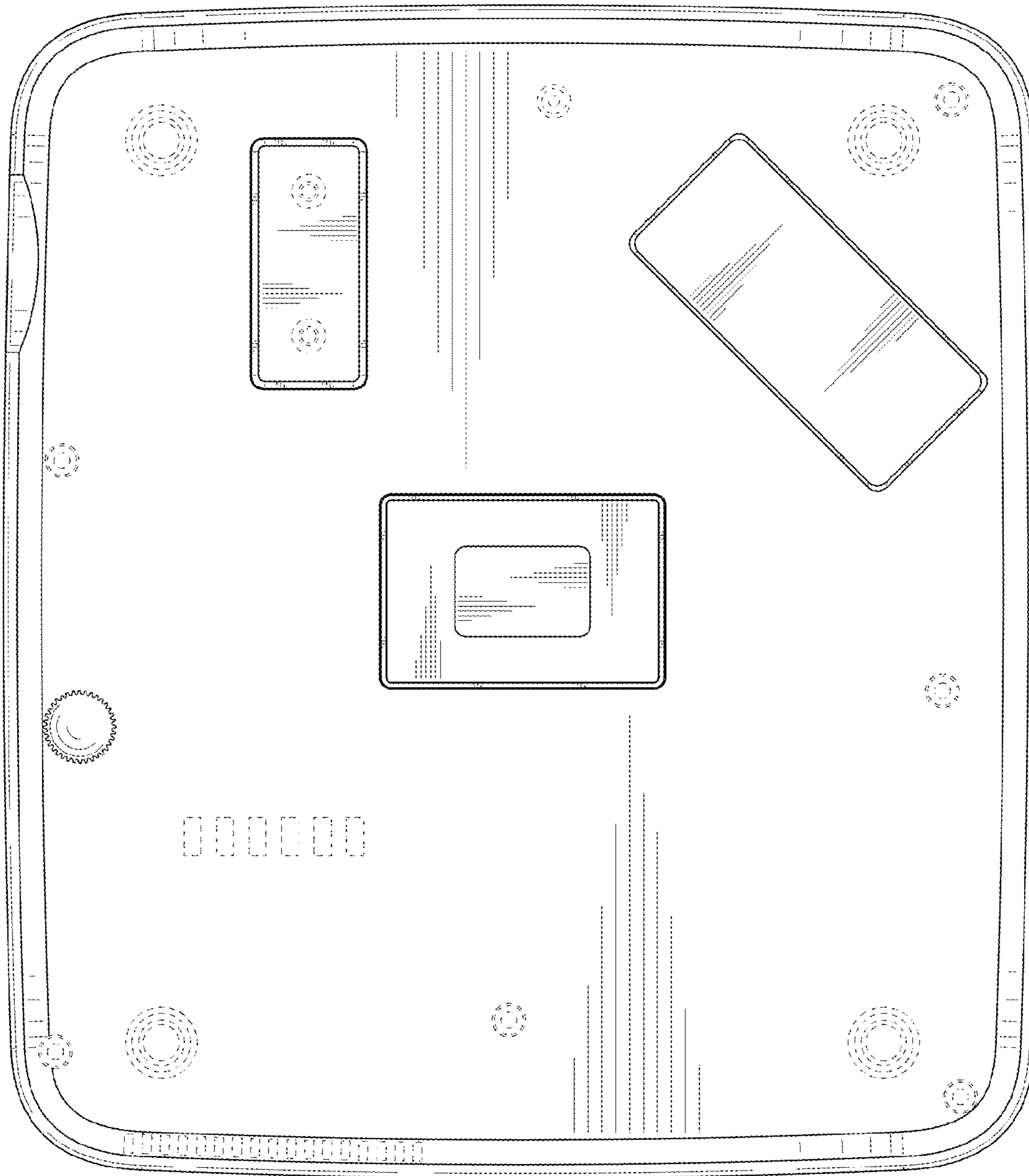


FIG. 8

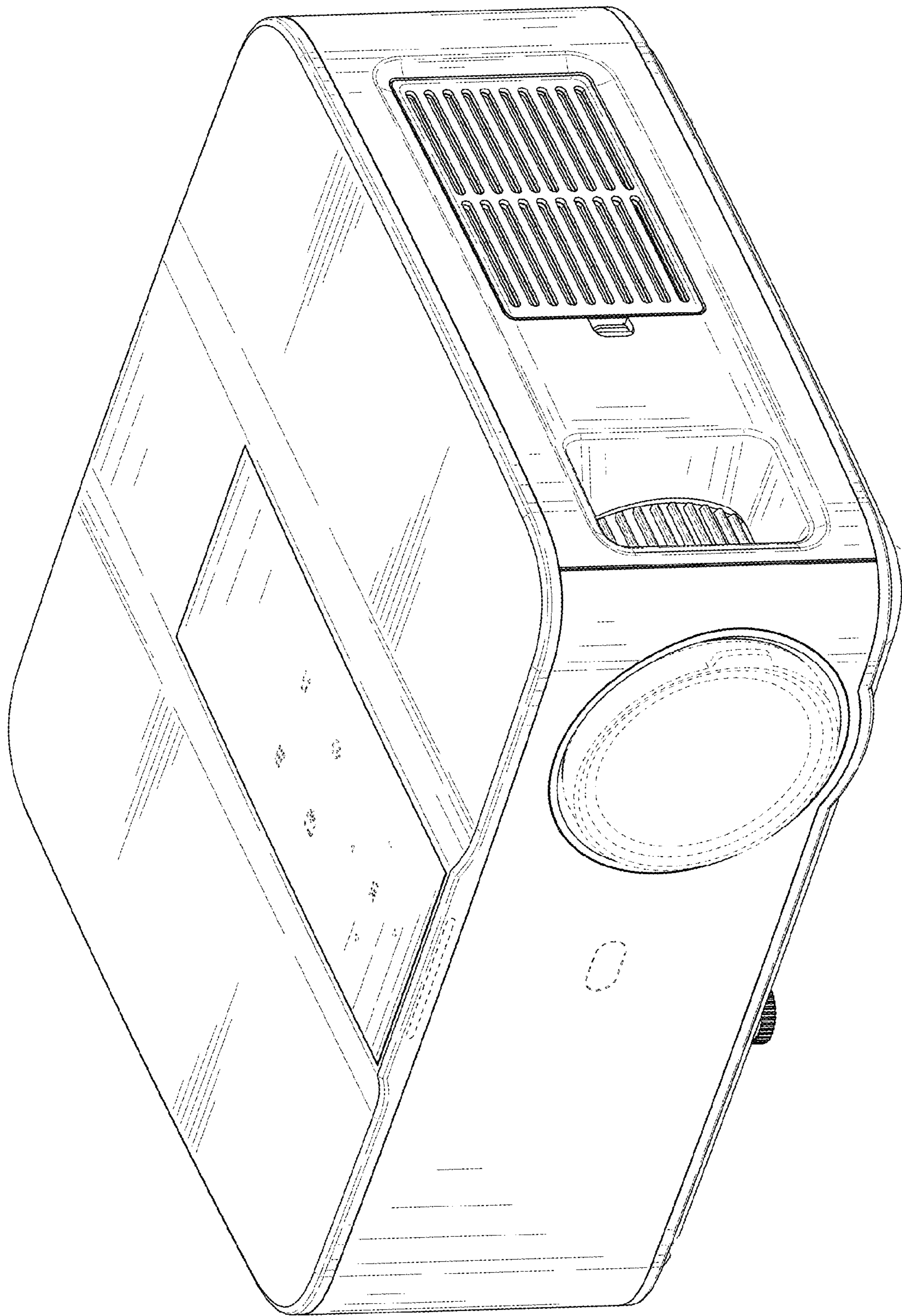


FIG. 9