



US00D970589S

(12) **United States Design Patent**
Imai

(10) **Patent No.:** **US D970,589 S**

(45) **Date of Patent:** **** Nov. 22, 2022**

(54) **DIGITAL CAMERA**

(71) Applicant: **FUJIFILM Corporation**, Tokyo (JP)

(72) Inventor: **Masazumi Imai**, Saitama (JP)

(73) Assignee: **FUJIFILM Corporation**, Tokyo (JP)

(**) Term: **15 Years**

(21) Appl. No.: **29/679,807**

(22) Filed: **Feb. 11, 2019**

(30) **Foreign Application Priority Data**

Aug. 31, 2018 (JP) 2018-019108

(51) **LOC (13) Cl.** **16-05**

(52) **U.S. Cl.**
USPC **D16/219**

(58) **Field of Classification Search**
USPC D16/200, 202–205, 218, 219, 235;
348/373–376; 359/826–828;
396/529–532, 535, 539–541
CPC G03B 17/02; G03B 19/04; G03B 17/56;
G03B 17/04; G03B 15/03; G03B 17/14;
H04N 5/2251; H04N 5/2252; H04N
5/2253; H04N 5/2254; G02B 7/02; G02B
7/04; G02B 7/14

See application file for complete search history.

(56) **References Cited**

U.S. PATENT DOCUMENTS

D282,932 S * 3/1986 Maitani D16/217
D449,327 S * 10/2001 Haga D16/217

D581,440 S * 11/2008 Nakamura D16/217
D609,730 S * 2/2010 Nakamura D16/217
D795,325 S * 8/2017 Germade D16/202
D797,837 S * 9/2017 Osada D16/219
D823,921 S * 7/2018 Imai D16/218
D883,356 S * 5/2020 Ikegame D16/202

* cited by examiner

Primary Examiner — Ramzi Almatrahi

(74) *Attorney, Agent, or Firm* — Studebaker & Brackett
PC

(57) **CLAIM**

The ornamental design for a digital camera, as shown and described.

DESCRIPTION

FIG. 1 is a front view of a digital camera, showing the new design;
FIG. 2 is a rear view thereof;
FIG. 3 is a top view thereof;
FIG. 4 is a bottom view thereof;
FIG. 5 is a left side view thereof;
FIG. 6 is a right side view thereof;
FIG. 7 is a top, front and right side perspective view thereof;
and,
FIG. 8 is a top, rear and left side perspective view thereof.
The broken lines illustrate portions of the digital camera and form no part of the claimed design.

1 Claim, 8 Drawing Sheets

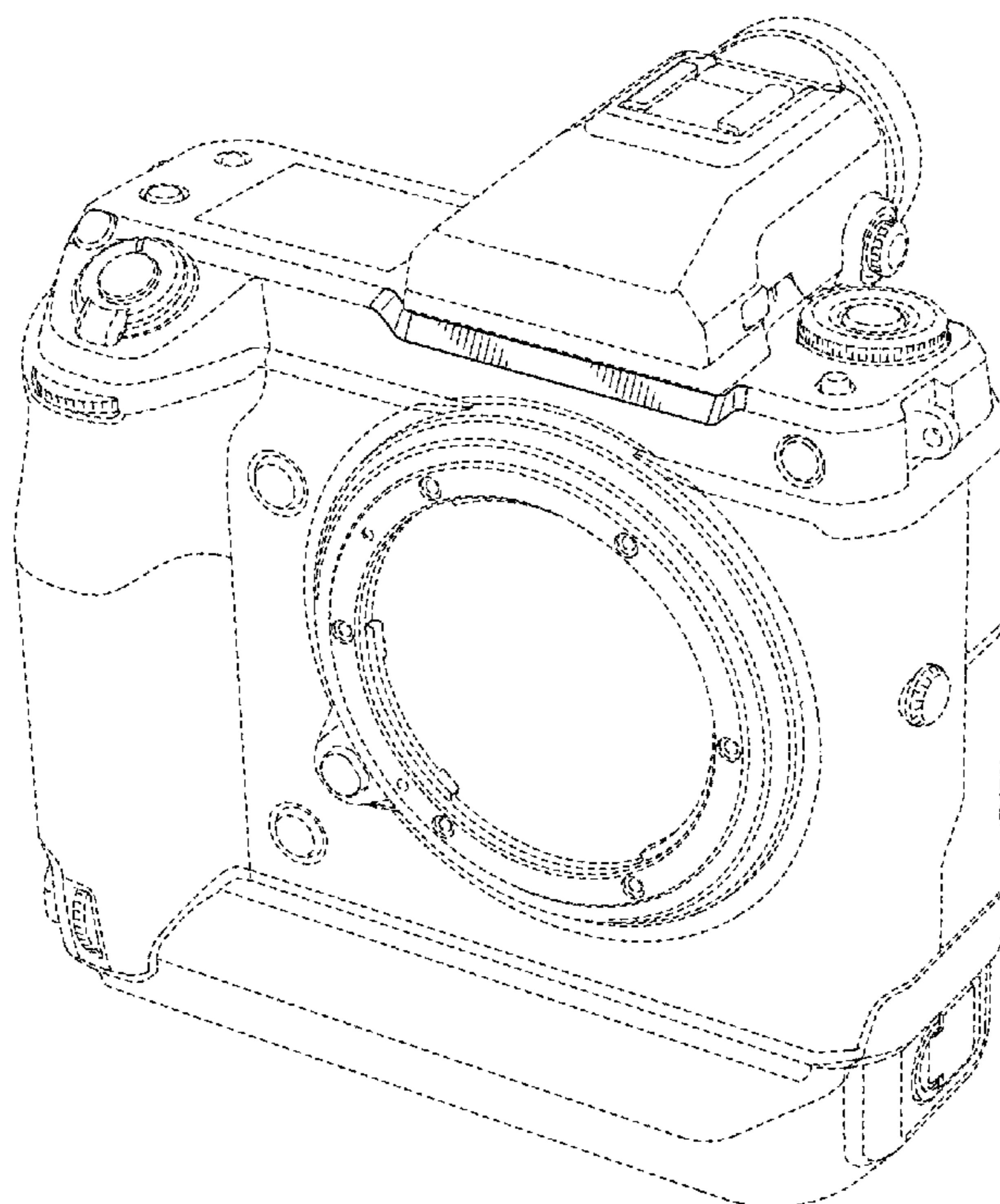


FIG.1

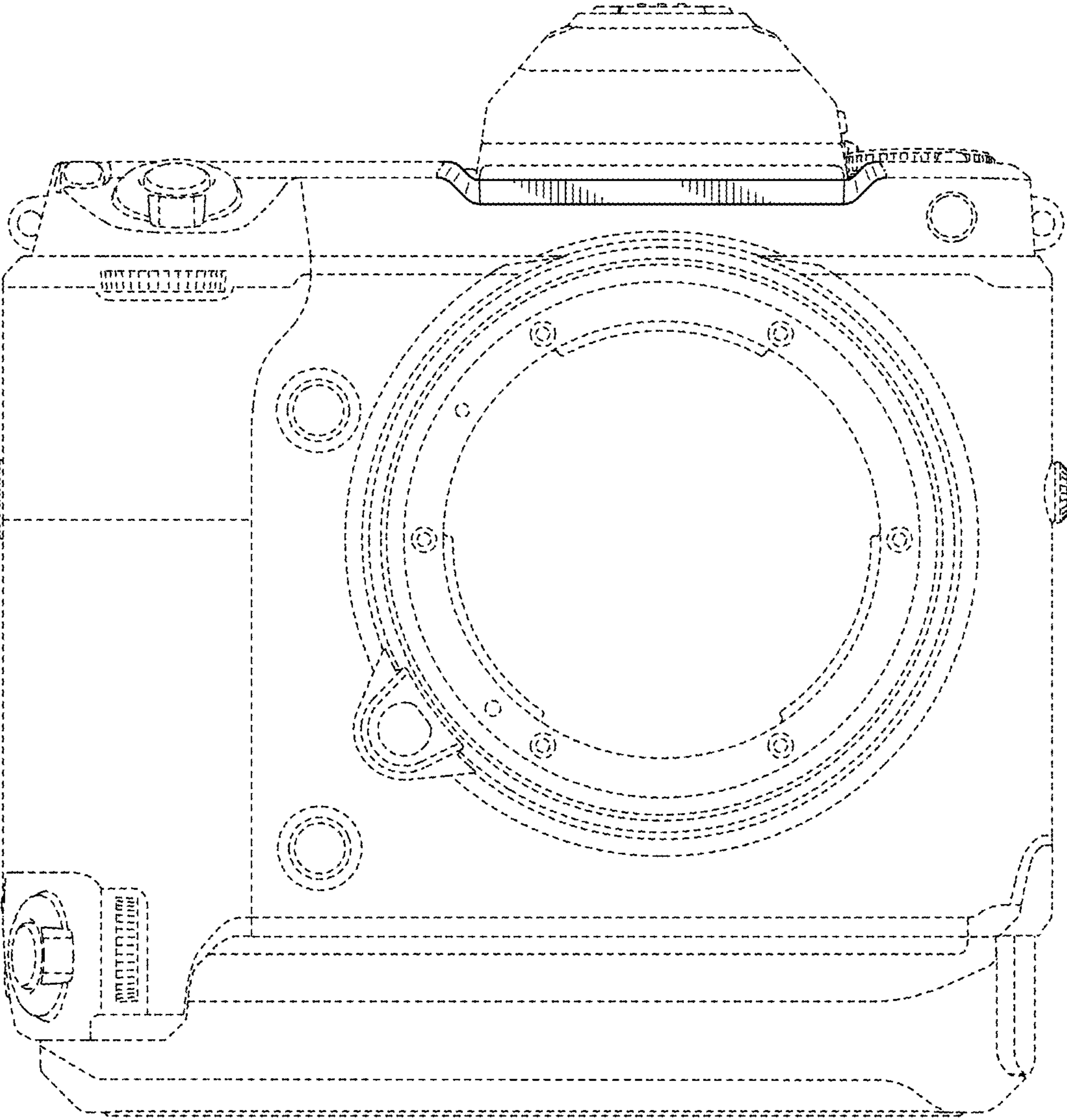


FIG.2

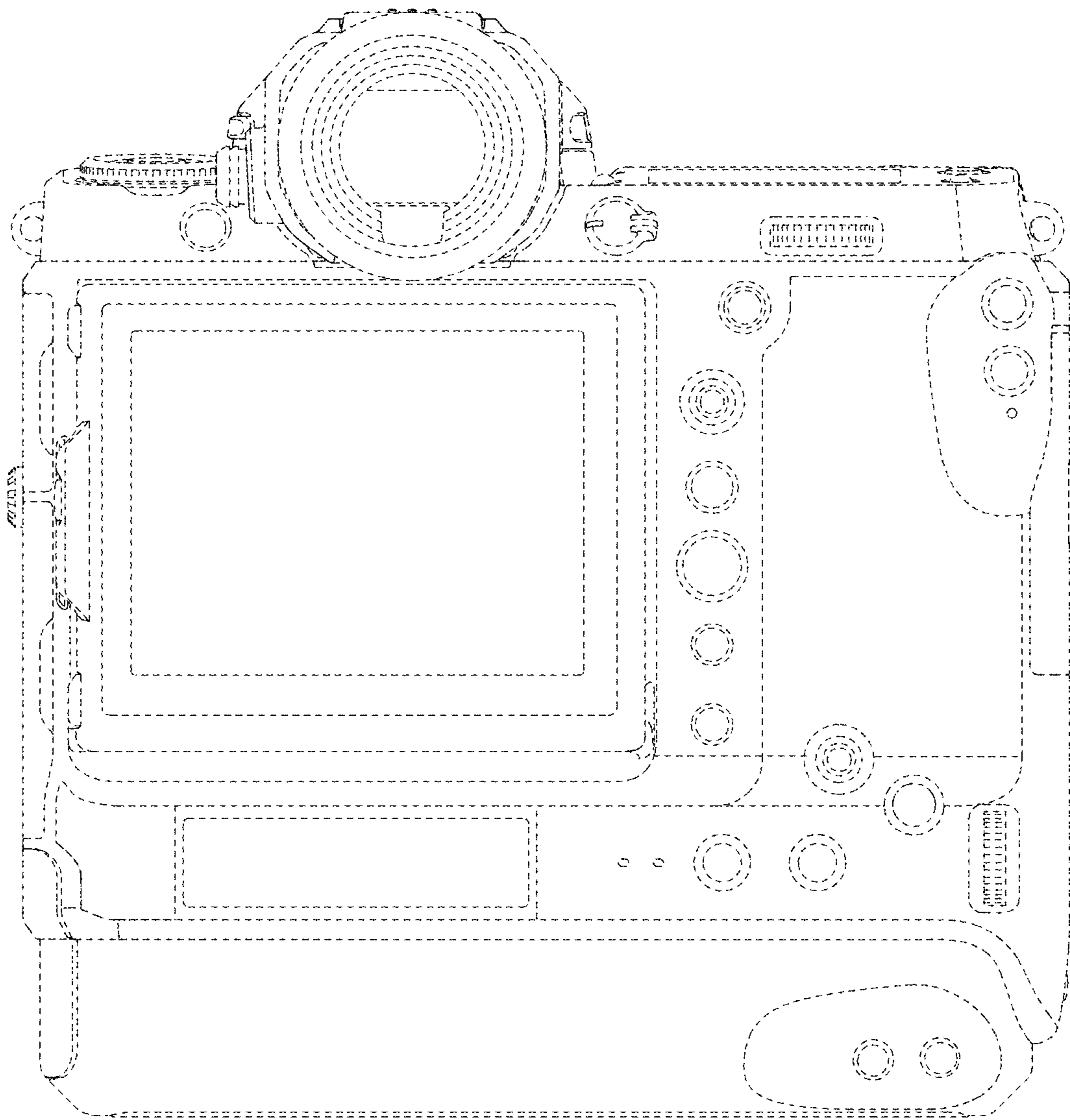


FIG.3

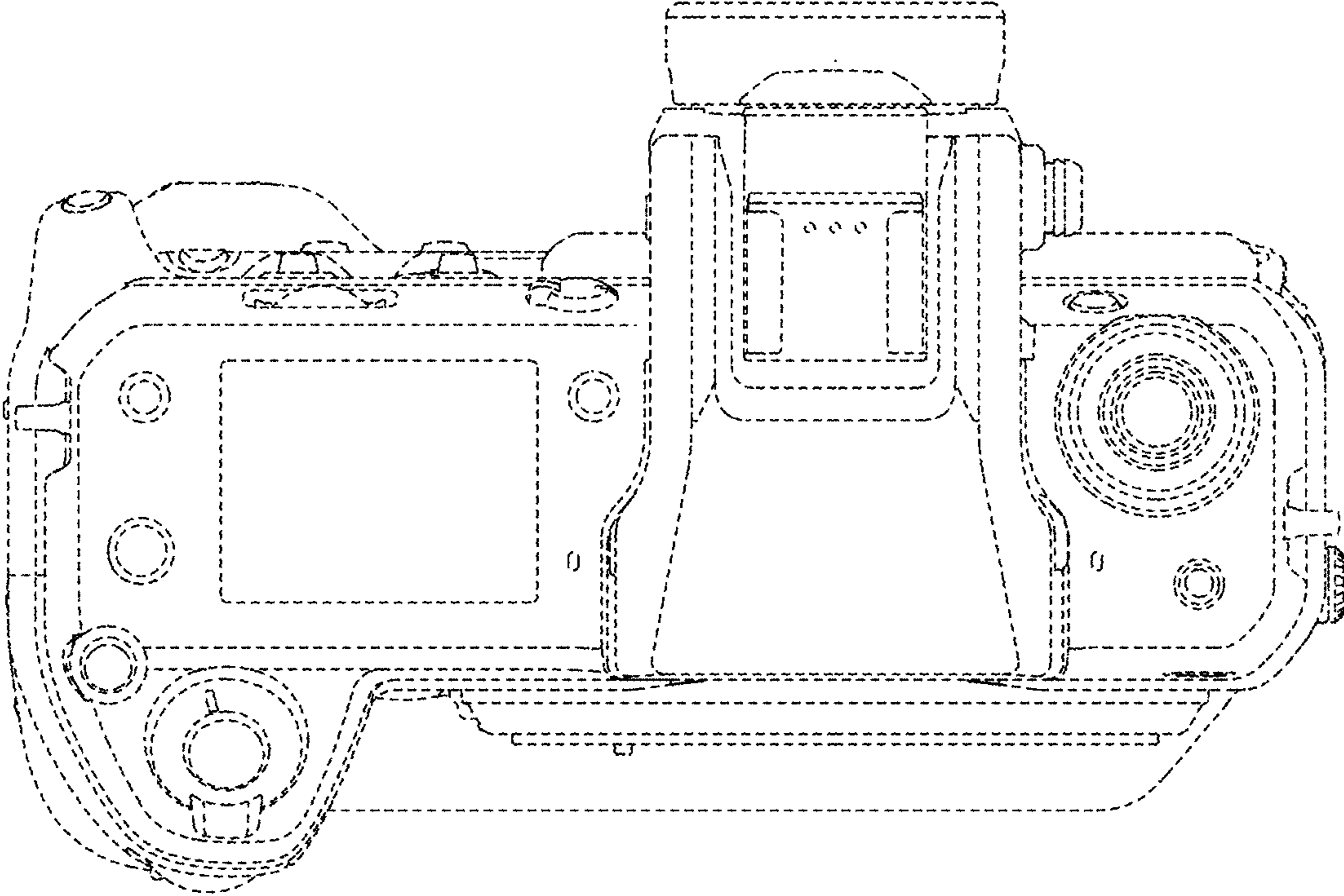


FIG.4

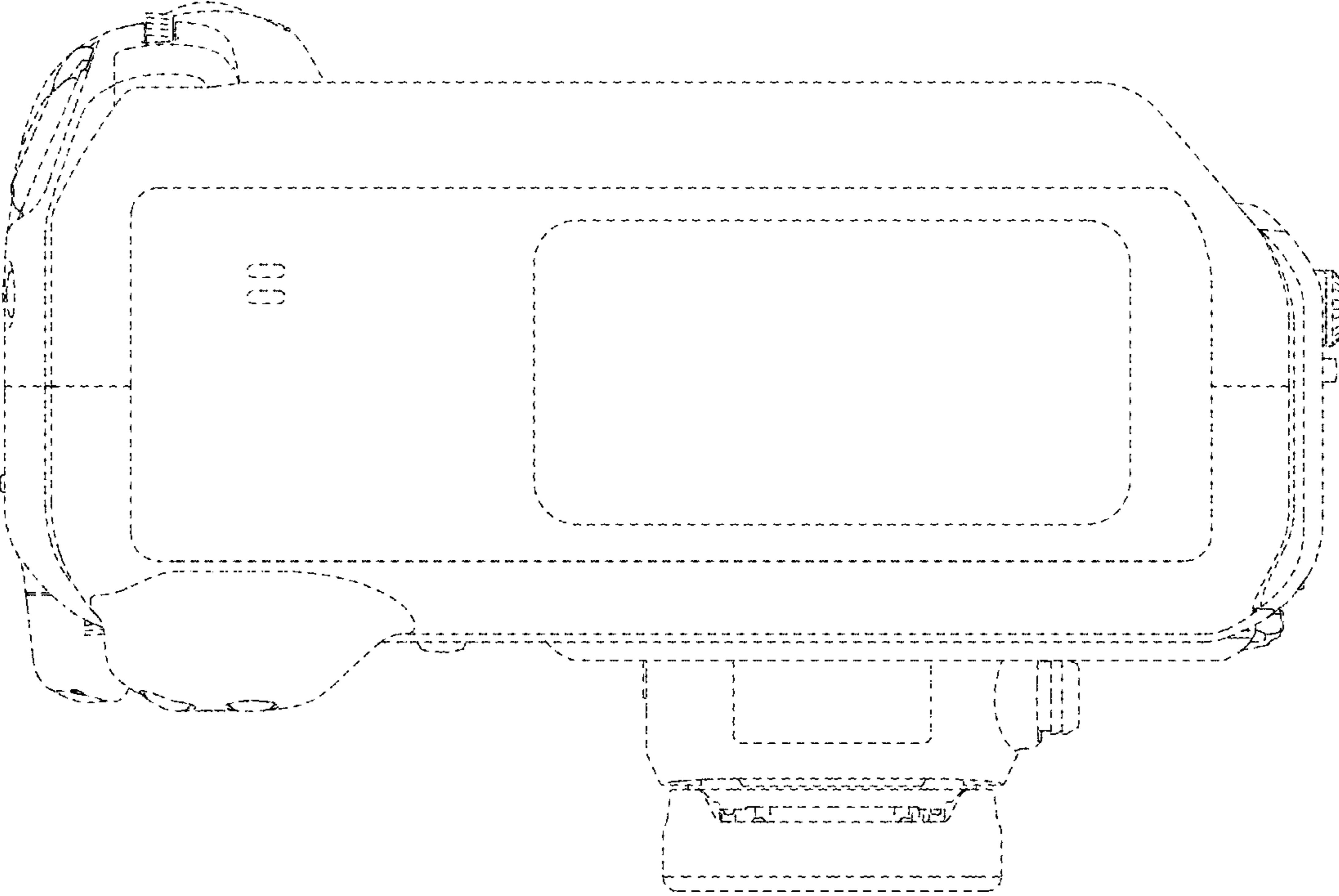


FIG.5

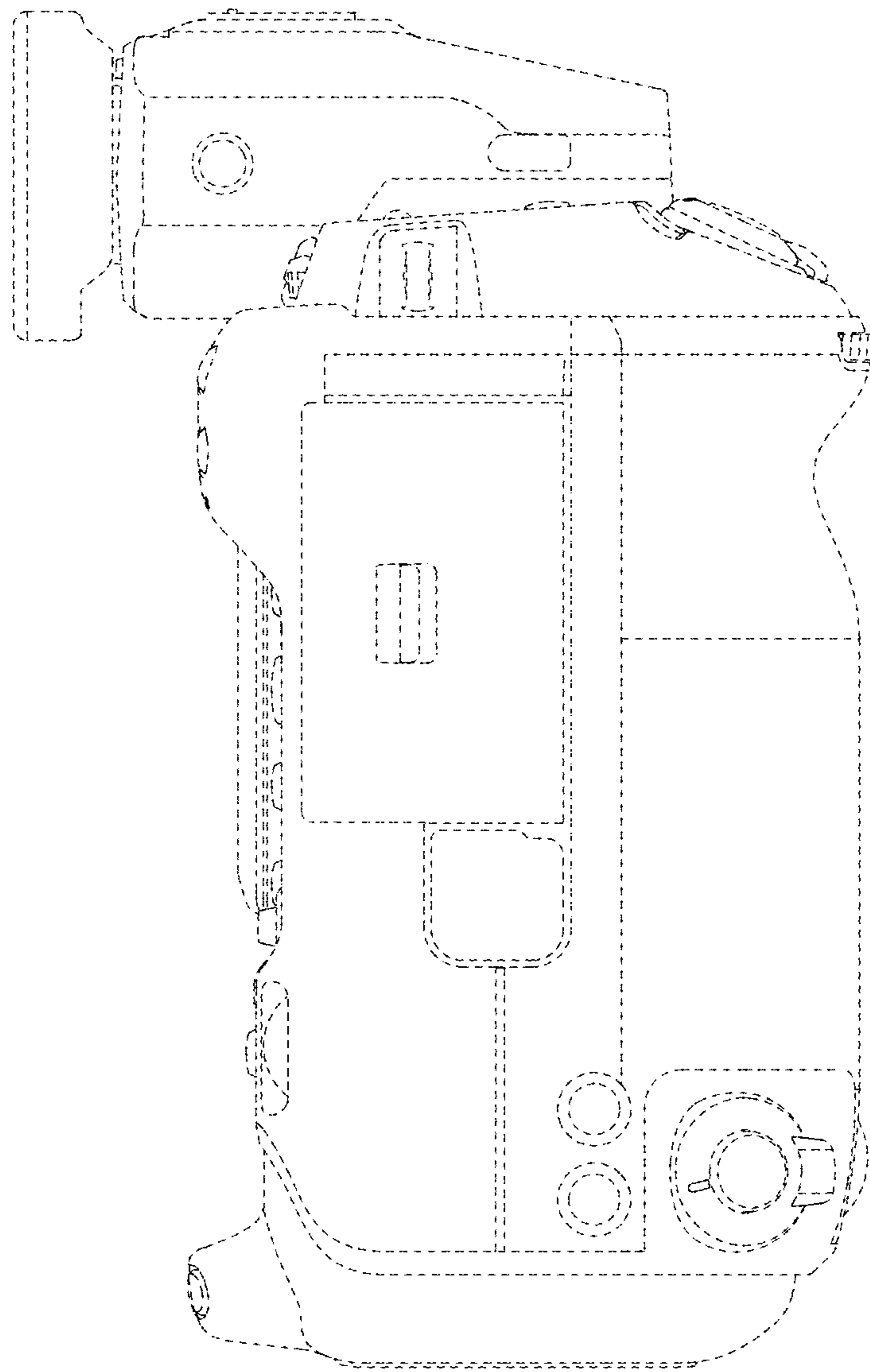


FIG.6

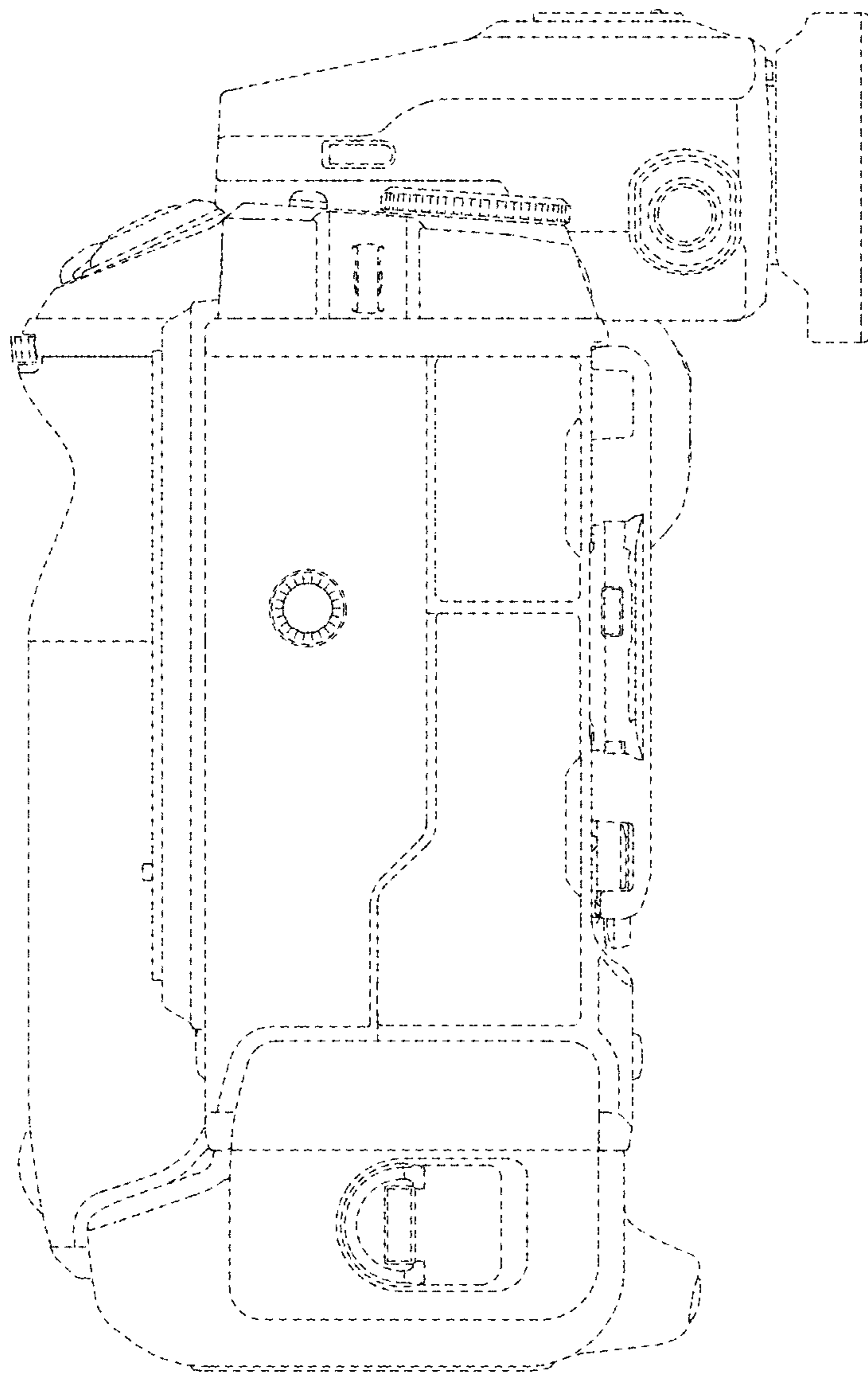


FIG.7

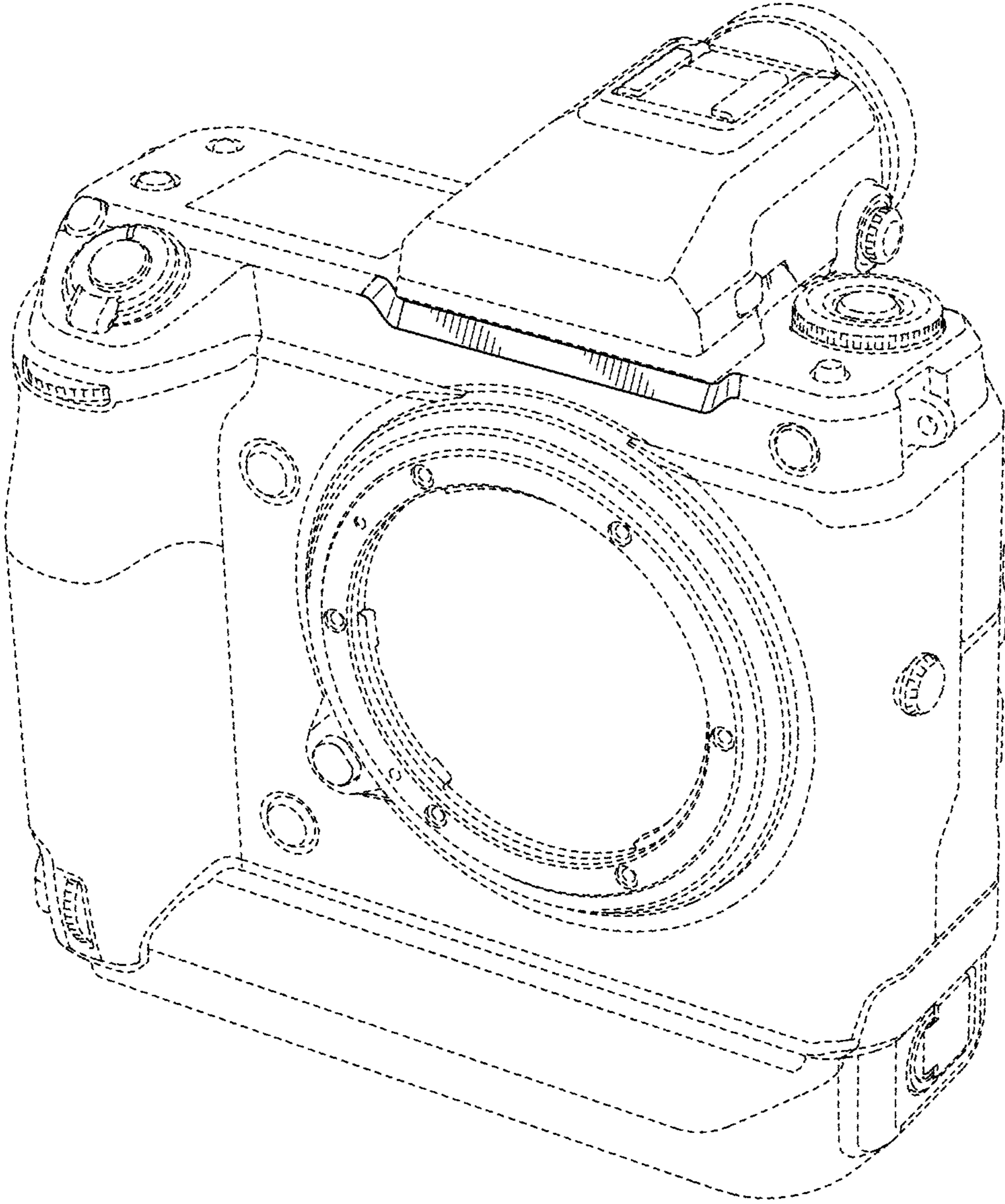


FIG.8

