



US00D970587S

(12) **United States Design Patent** (10) **Patent No.:** **US D970,587 S**
Li (45) **Date of Patent:** **** Nov. 22, 2022**

(54) **CAR VIDEO RECORDER**

(71) Applicant: **Suqiong Li**, Xiantao (CN)

(72) Inventor: **Suqiong Li**, Xiantao (CN)

(**) Term: **15 Years**

(21) Appl. No.: **29/777,733**

(22) Filed: **Apr. 8, 2021**

(51) **LOC (13) Cl.** **16-01**

(52) **U.S. Cl.**
USPC **D16/218**; D16/208

(58) **Field of Classification Search**
USPC D16/200–208, 210, 214, 218, 219, 242;
D10/65, 70, 74, 106.6; 348/373–376;
358/906; 396/419, 427, 428, 535,
396/539–541
CPC G03B 15/03; G03B 17/02; G03B 17/04;
G03B 17/56; G03B 19/04; H04N 5/2251;
H04N 5/2252; H04N 5/2253; H04N
5/2254; H04N 2101/00
See application file for complete search history.

(56) **References Cited**

U.S. PATENT DOCUMENTS

D747,386 S * 1/2016 Li D16/208
D795,940 S * 8/2017 Huang D16/203
D822,748 S * 7/2018 Van Deusen D16/208

D867,427 S * 11/2019 Bai D16/202
D878,448 S * 3/2020 Kapuria D16/208
D879,175 S * 3/2020 Matsumoto D16/202
D885,455 S * 5/2020 Kanemori D16/202
D887,475 S * 6/2020 Hsu D16/208
D897,399 S * 9/2020 Wang D16/218
D898,099 S * 10/2020 Cui D16/218
D909,447 S * 2/2021 Lin D16/202
D925,643 S * 7/2021 Hsu D16/208
D939,604 S * 12/2021 Su D16/202

* cited by examiner

Primary Examiner — Ramzi Almatrahi

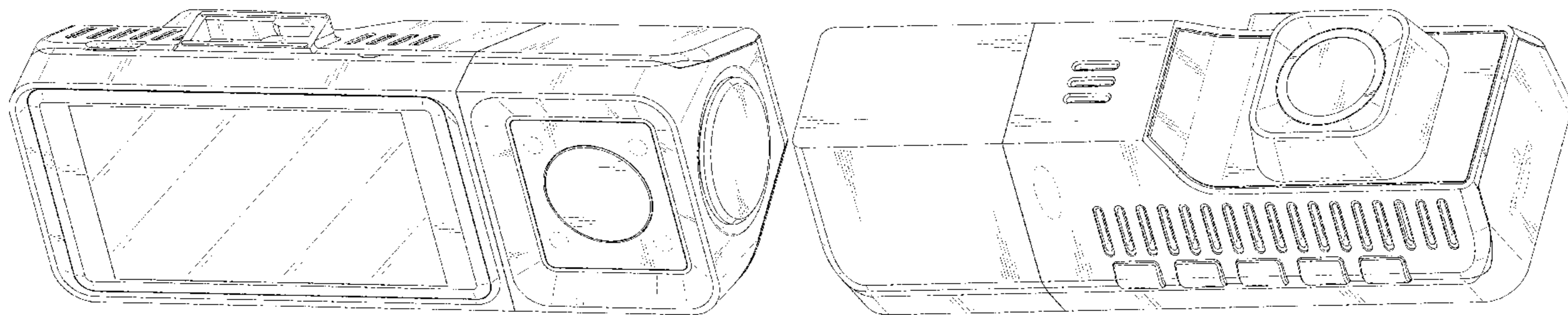
(57) **CLAIM**

The ornamental design for a car video recorder, as shown and described.

DESCRIPTION

FIG. 1 is a top, front and right side perspective view of a car video recorder showing my new design;
FIG. 2 is a bottom, rear and left side perspective view thereof;
FIG. 3 is a front elevational view thereof;
FIG. 4 is a rear elevational view thereof;
FIG. 5 is a left side elevational view thereof;
FIG. 6 is a right side elevational view thereof;
FIG. 7 is a top plan view thereof; and,
FIG. 8 is a bottom plan view thereof.
The broken lines in the drawings depict portions of the car video recorder that form no part of the claimed design.

1 Claim, 8 Drawing Sheets



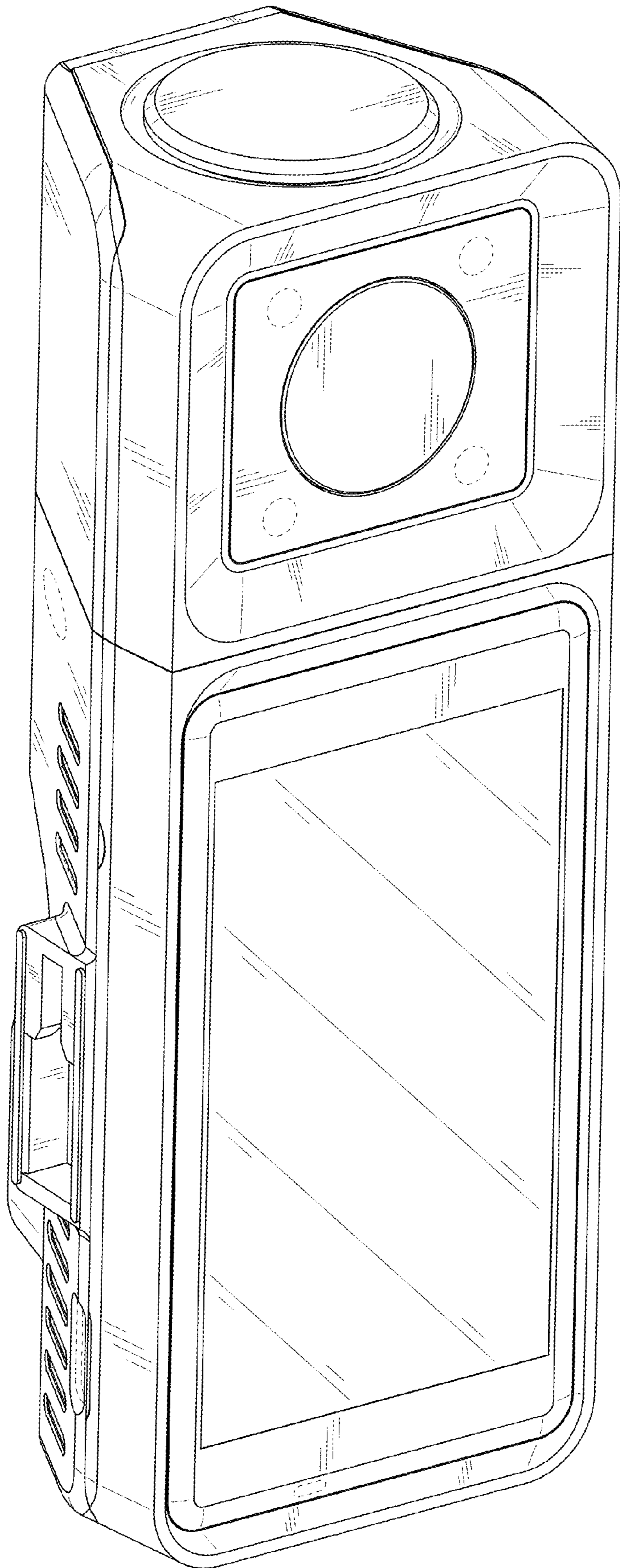


FIG. 1

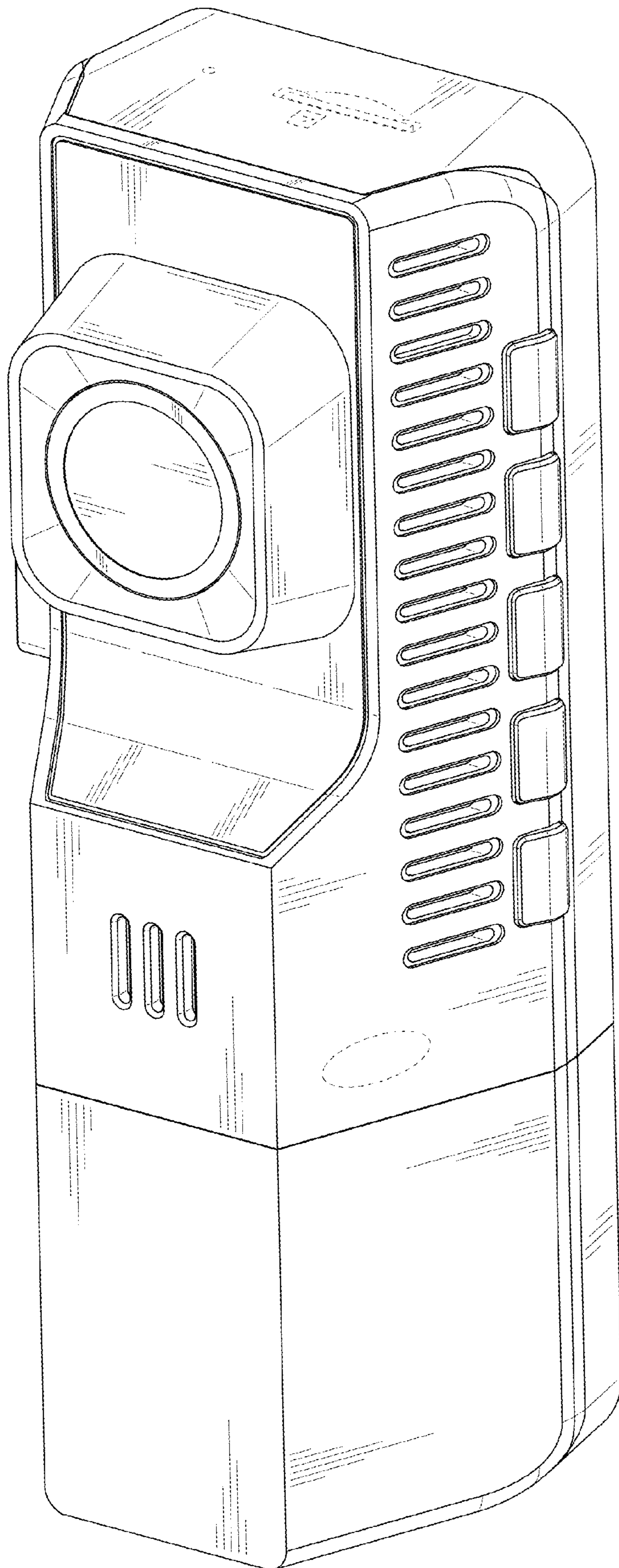


FIG. 2

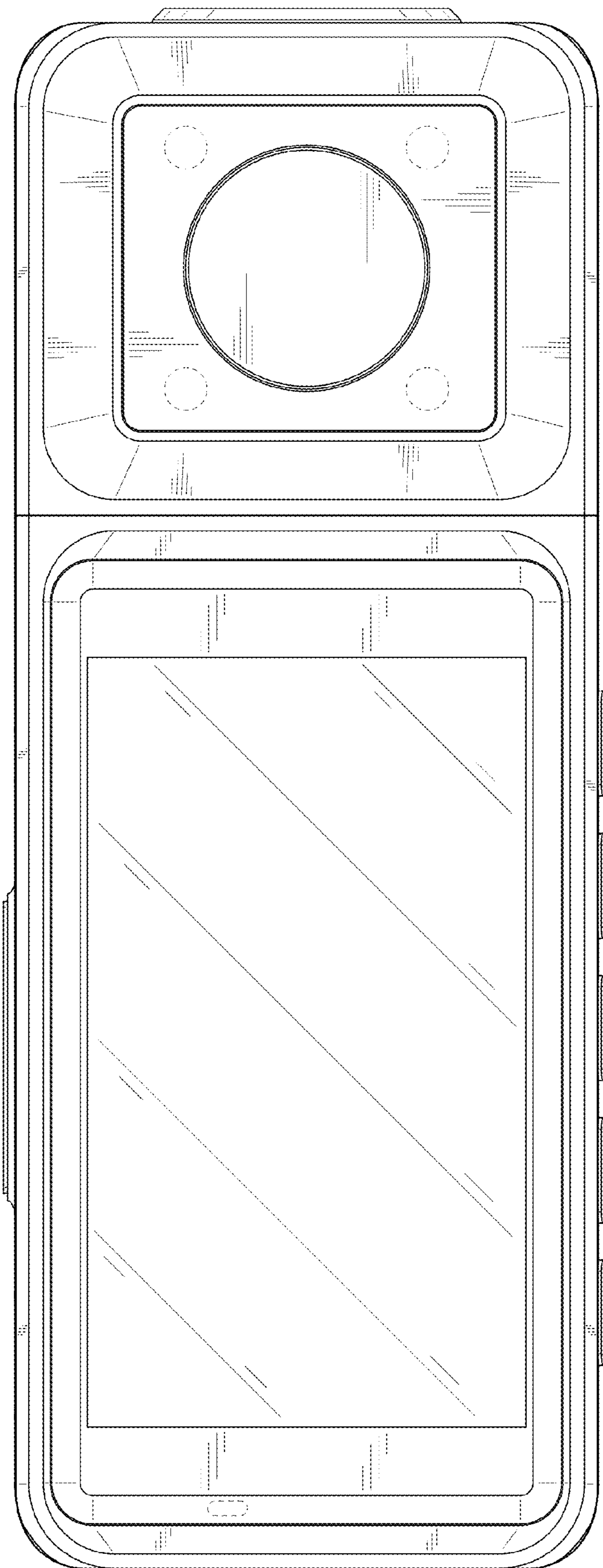


FIG. 3

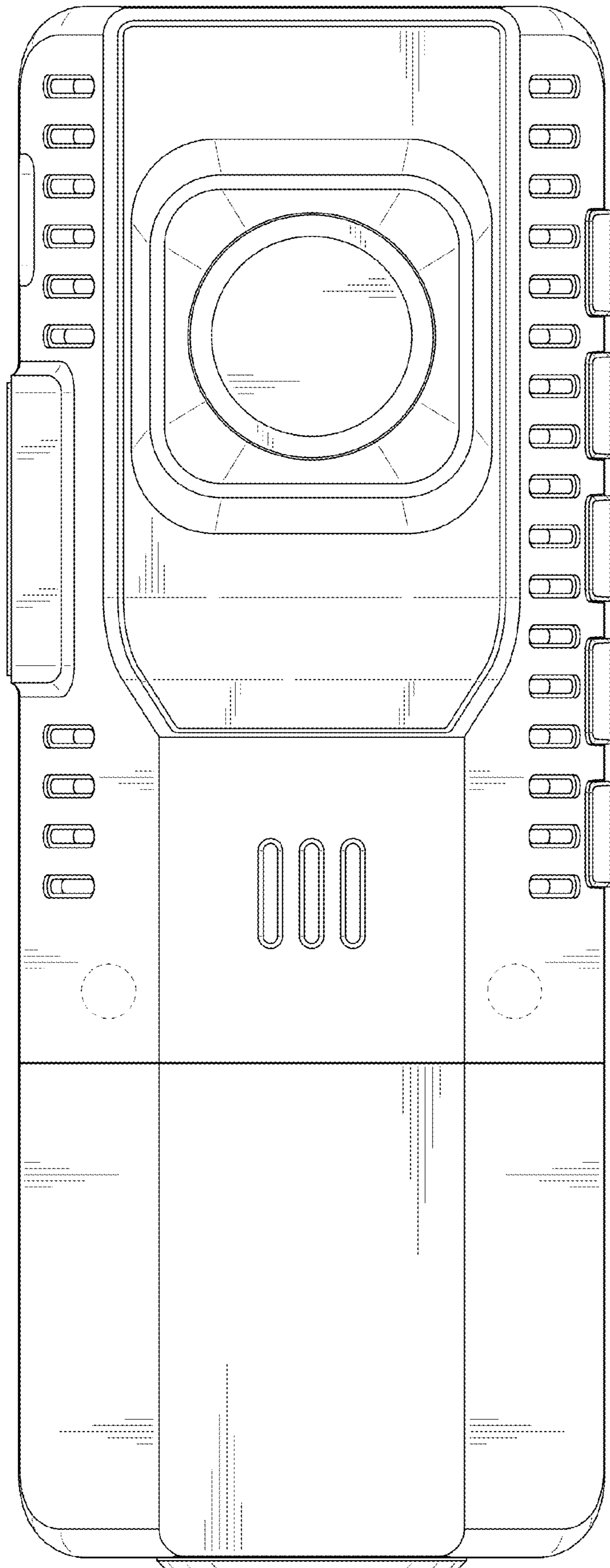


FIG. 4

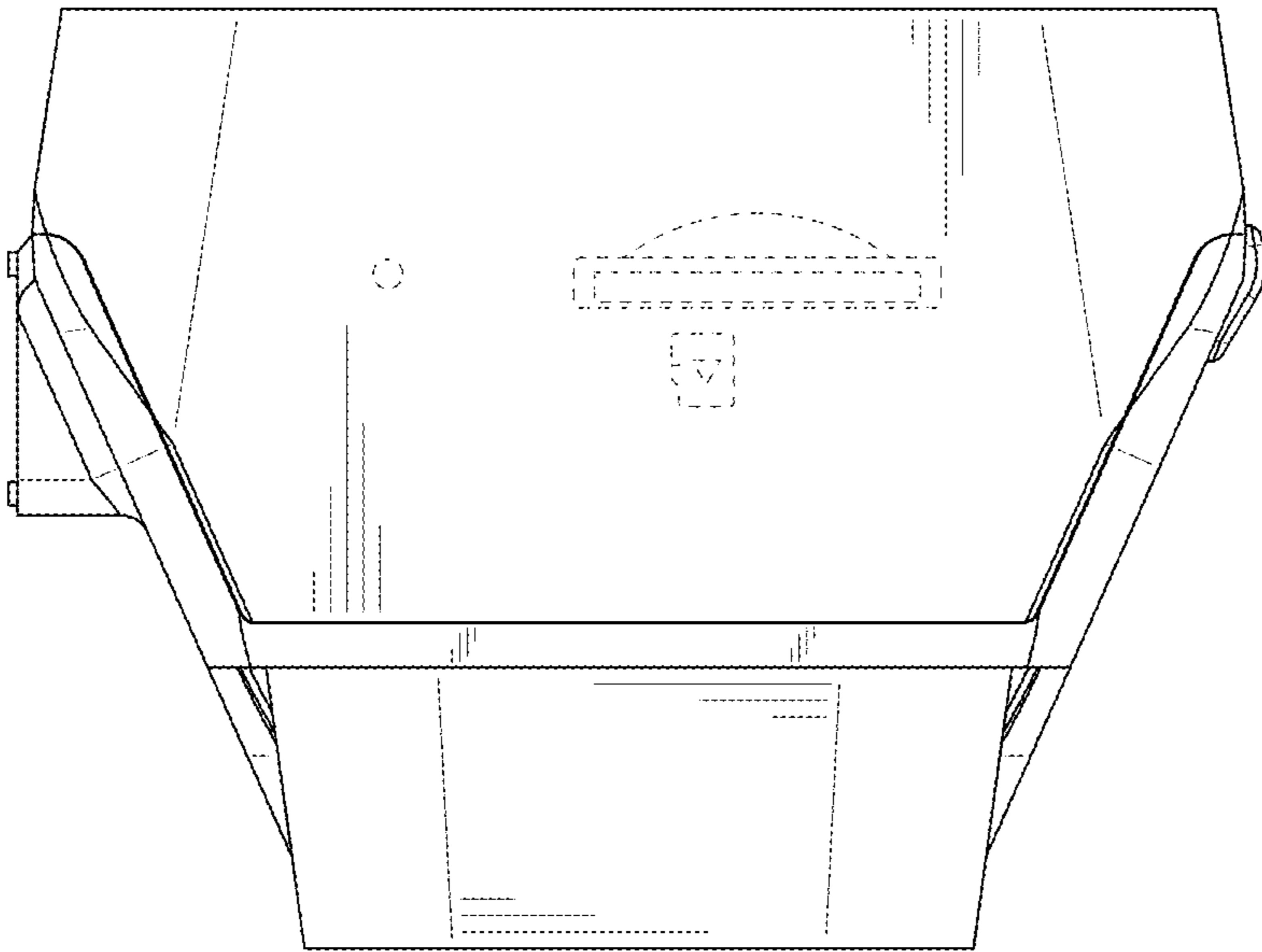


FIG. 5

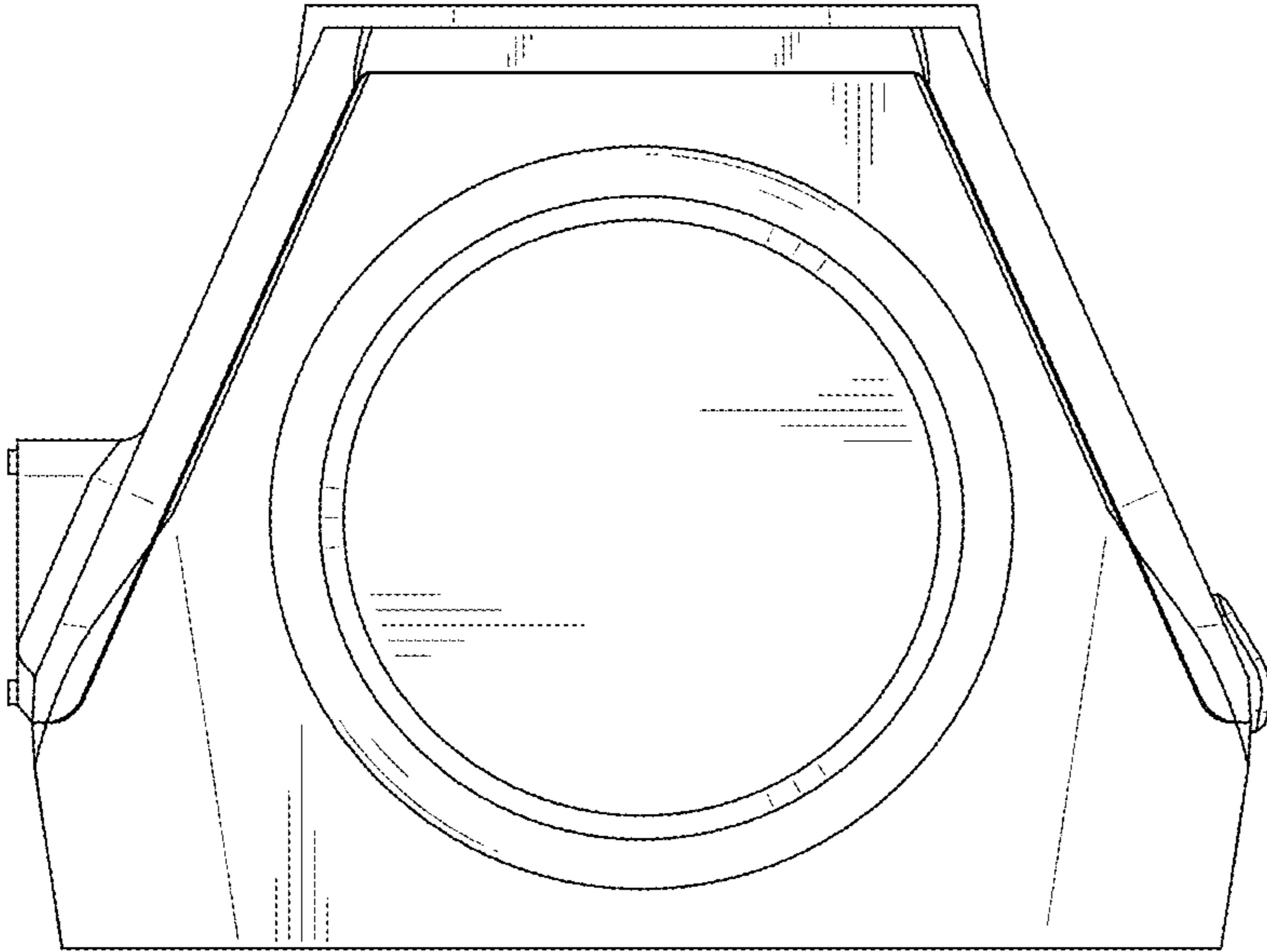


FIG. 6

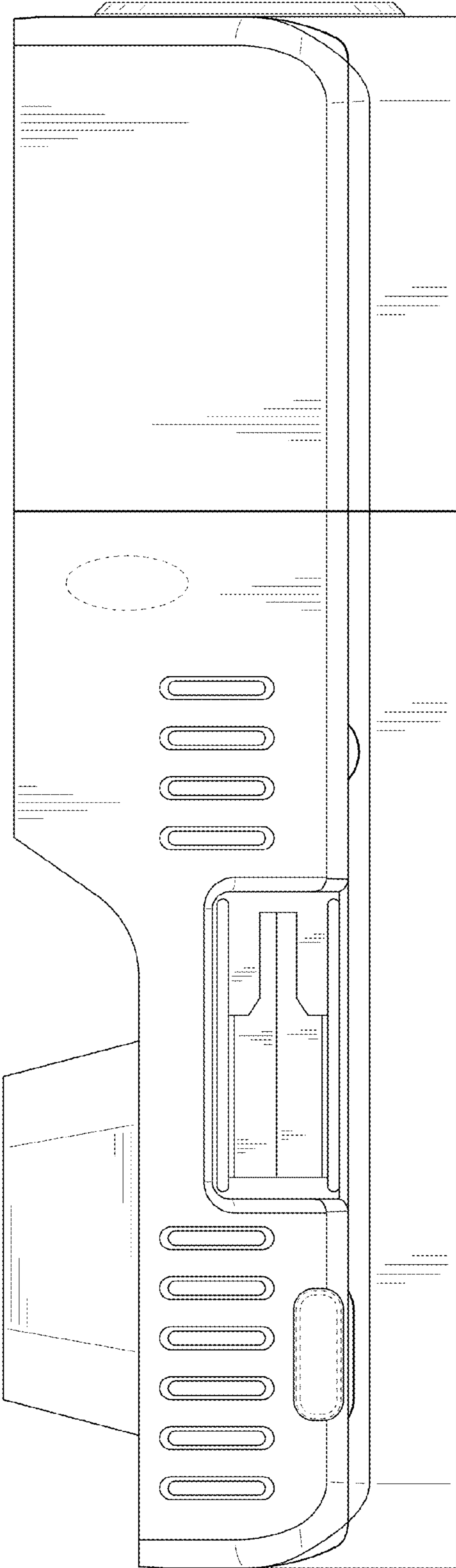


FIG. 7

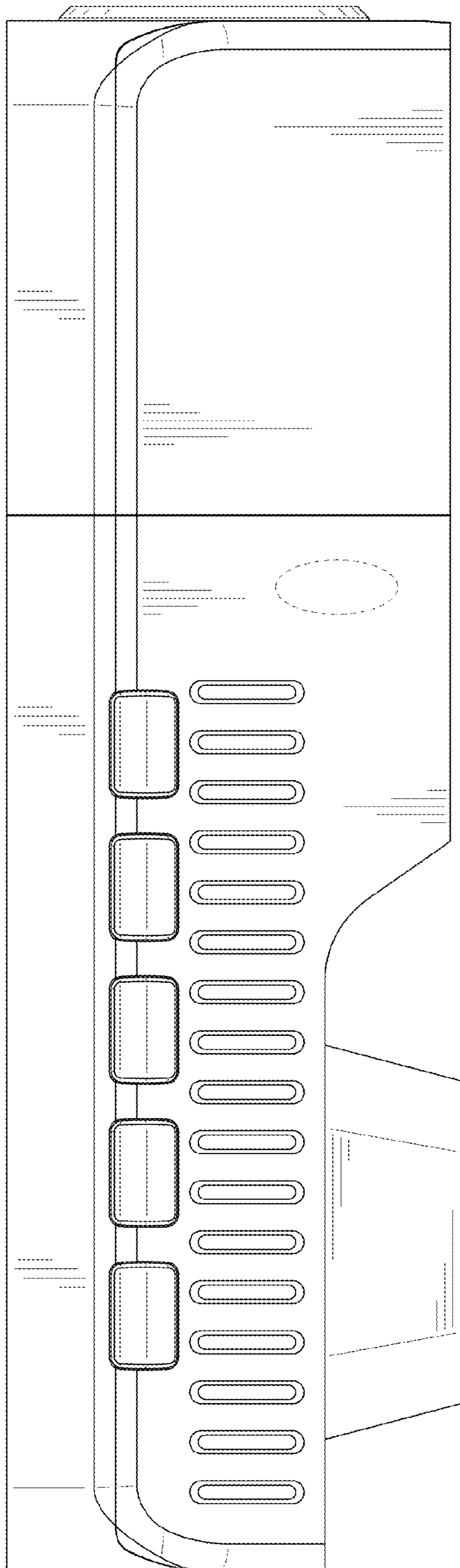


FIG. 8