



US00D970586S

(12) **United States Design Patent** (10) **Patent No.:** **US D970,586 S**  
**Yuan et al.** (45) **Date of Patent:** **\*\* Nov. 22, 2022**

(54) **HANDHELD INFRARED THERMAL IMAGER**

(71) Applicant: **Infiray Technologies Co., Ltd.**, Anhui (CN)

(72) Inventors: **Meizhu Yuan**, Anhui (CN); **Tongbo Sun**, Anhui (CN)

(73) Assignee: **Infiray Technologies Co., Ltd.**, Anhui (CN)

(\*\*) Term: **15 Years**

(21) Appl. No.: **29/733,339**

(22) Filed: **Apr. 30, 2020**

(30) **Foreign Application Priority Data**

Jan. 17, 2020 (EM) ..... 007524244

(51) **LOC (13) Cl.** ..... **16-01**

(52) **U.S. Cl.**  
USPC ..... **D16/206**

(58) **Field of Classification Search**  
USPC ..... D16/200–204, 205–208, 243; D10/46, D10/47, 50, 52, 62, 65, 70, 71, 104.1, D10/106.6, 106.7, 109.1, 109.2, 121; D14/317, 474, 496, 507

CPC .... G03B 17/02; G03B 21/10; G03B 2217/00; G03B 2217/243; H04N 5/2252; H04N 5/2253; H04N 5/2254

See application file for complete search history.

(56) **References Cited**

**U.S. PATENT DOCUMENTS**

D489,386 S \* 5/2004 Lewellen ..... D16/203  
D750,685 S \* 3/2016 Santos ..... D16/208  
D870,182 S \* 12/2019 Lin ..... D16/206  
D953,401 S \* 5/2022 Wang ..... D16/132

**FOREIGN PATENT DOCUMENTS**

CN 307106428 \* 2/2022  
JP D1712880 \* 4/2022

**OTHER PUBLICATIONS**

“Thermal Imaging Scope Finder FH25R&FL25R Series” from Infirayoutdoor.com, first retrieved on Jun. 28, 2022 from the internet <[https://www.infirayoutdoor.com/thermal-imaging-scope-finder-fh25r-fl25rseries\\_p53.html#parentHorizontalTab021](https://www.infirayoutdoor.com/thermal-imaging-scope-finder-fh25r-fl25rseries_p53.html#parentHorizontalTab021)> (Year: 2022).\*  
“IR Spotter Mini Thermal Surveillance Camera” from x20.org, first retrieved on Jun. 28, 2022 from the internet <<https://www.x20.org/product/spotter-thermal-scope/>> (Year: 2022).\*

\* cited by examiner

*Primary Examiner* — Elizabeth J Oswecki

*Assistant Examiner* — Lacey Chey Bowman

(74) *Attorney, Agent, or Firm* — Harness, Dickey & Pierce, P.L.C.

(57) **CLAIM**

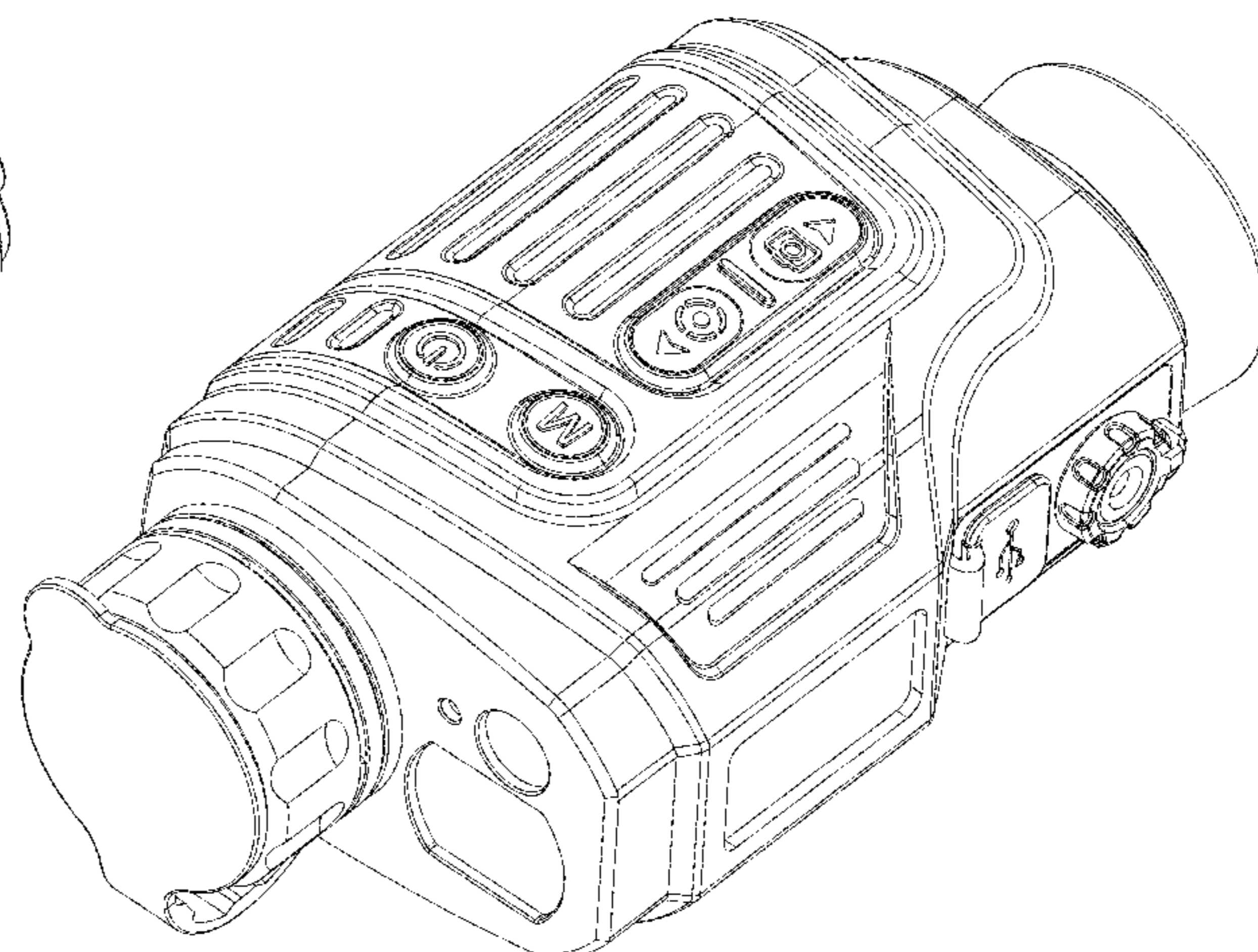
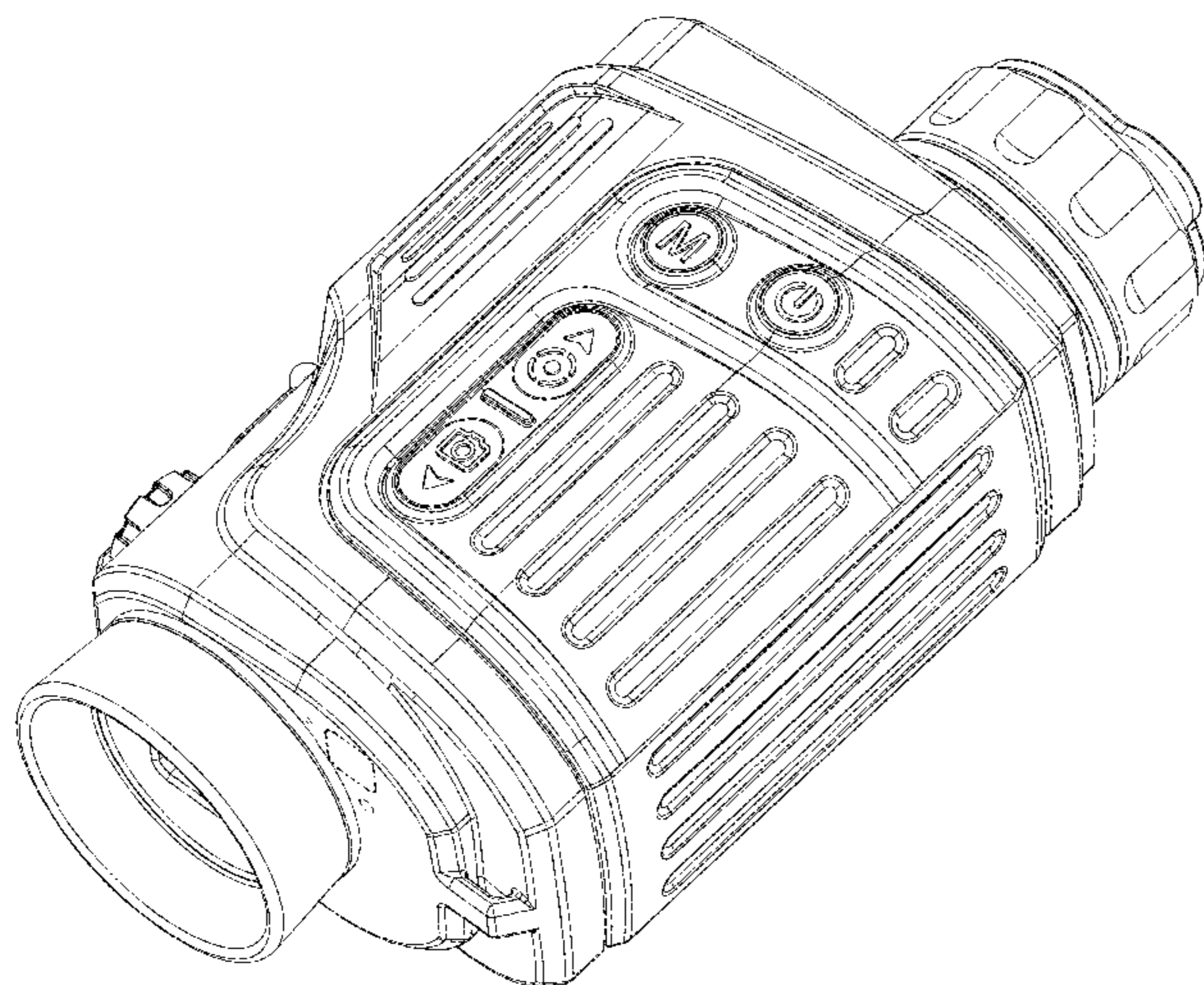
The ornamental design for a handheld infrared thermal imager, as shown and described.

**DESCRIPTION**

FIG. 1 is a front, right, bottom, perspective view of a handheld infrared thermal imager showing our new design; FIG. 2 is a front, left, top perspective view thereof; FIG. 3 is a front view thereof; FIG. 4 is a rear view thereof; FIG. 5 is a left view thereof; FIG. 6 is a right view thereof; FIG. 7 is a top view thereof; and, FIG. 8 is a bottom view thereof.

The broken lines in the drawings depict portions of the product that form no part of the claimed design.

**1 Claim, 8 Drawing Sheets**





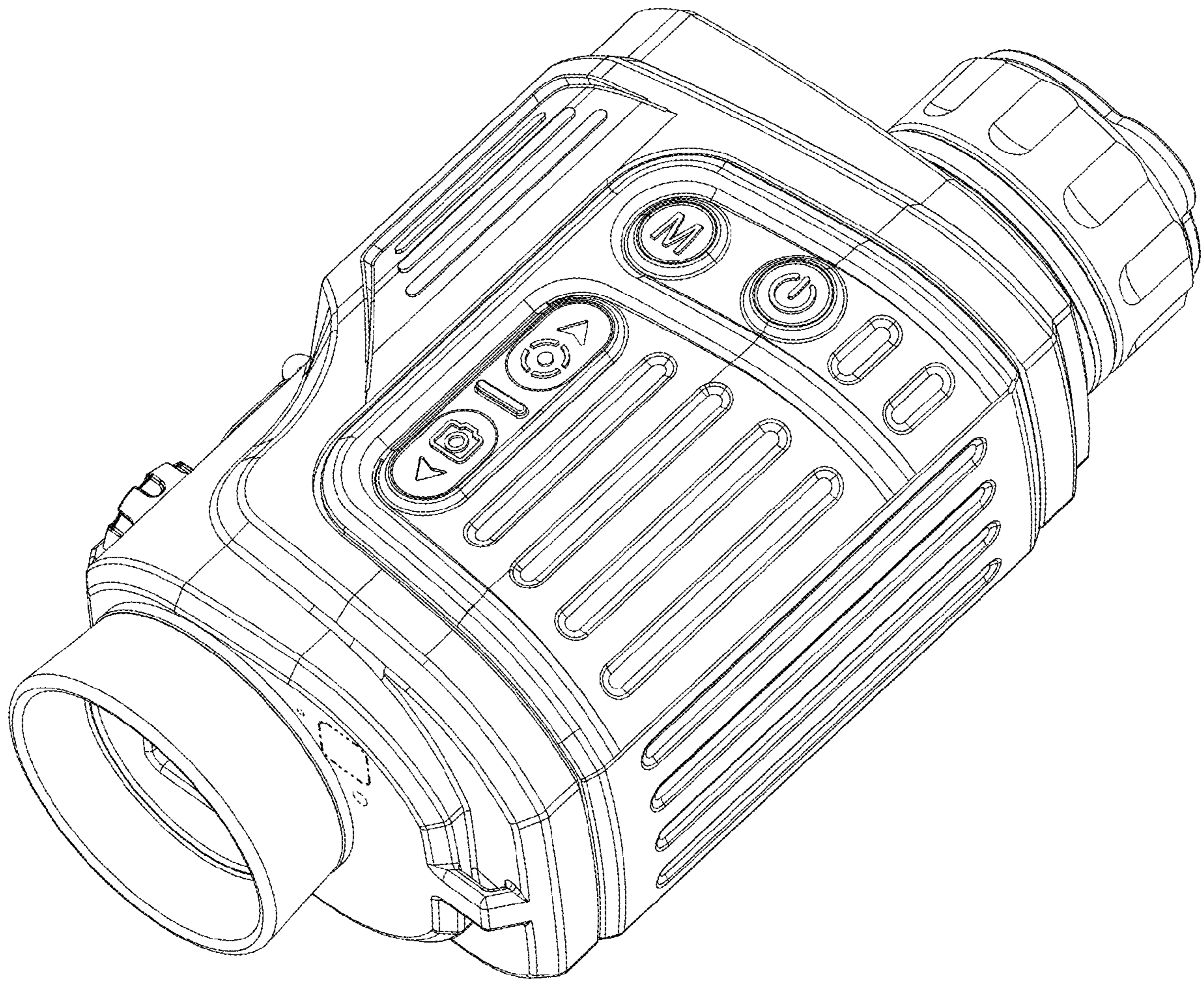


FIG. 1

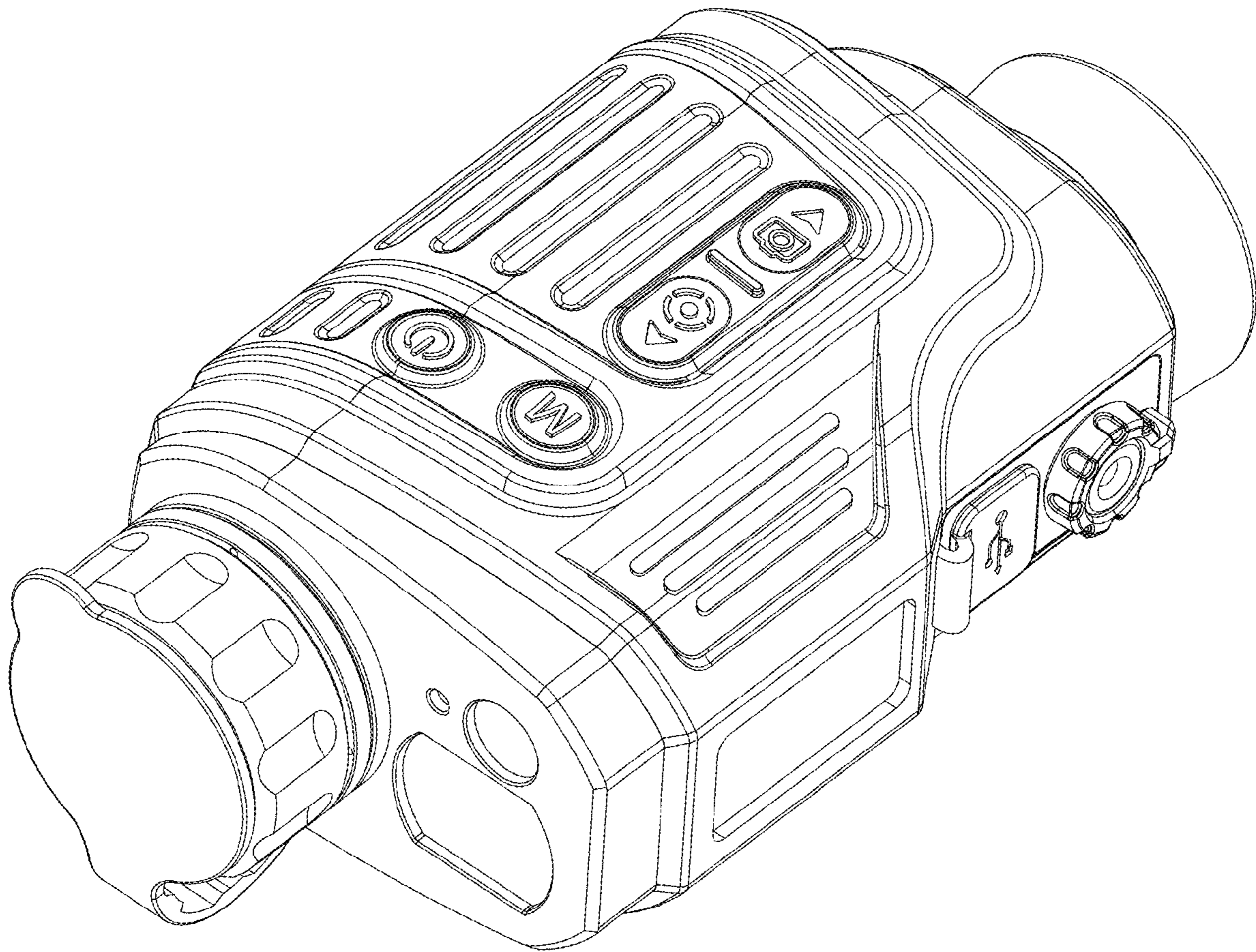


FIG. 2



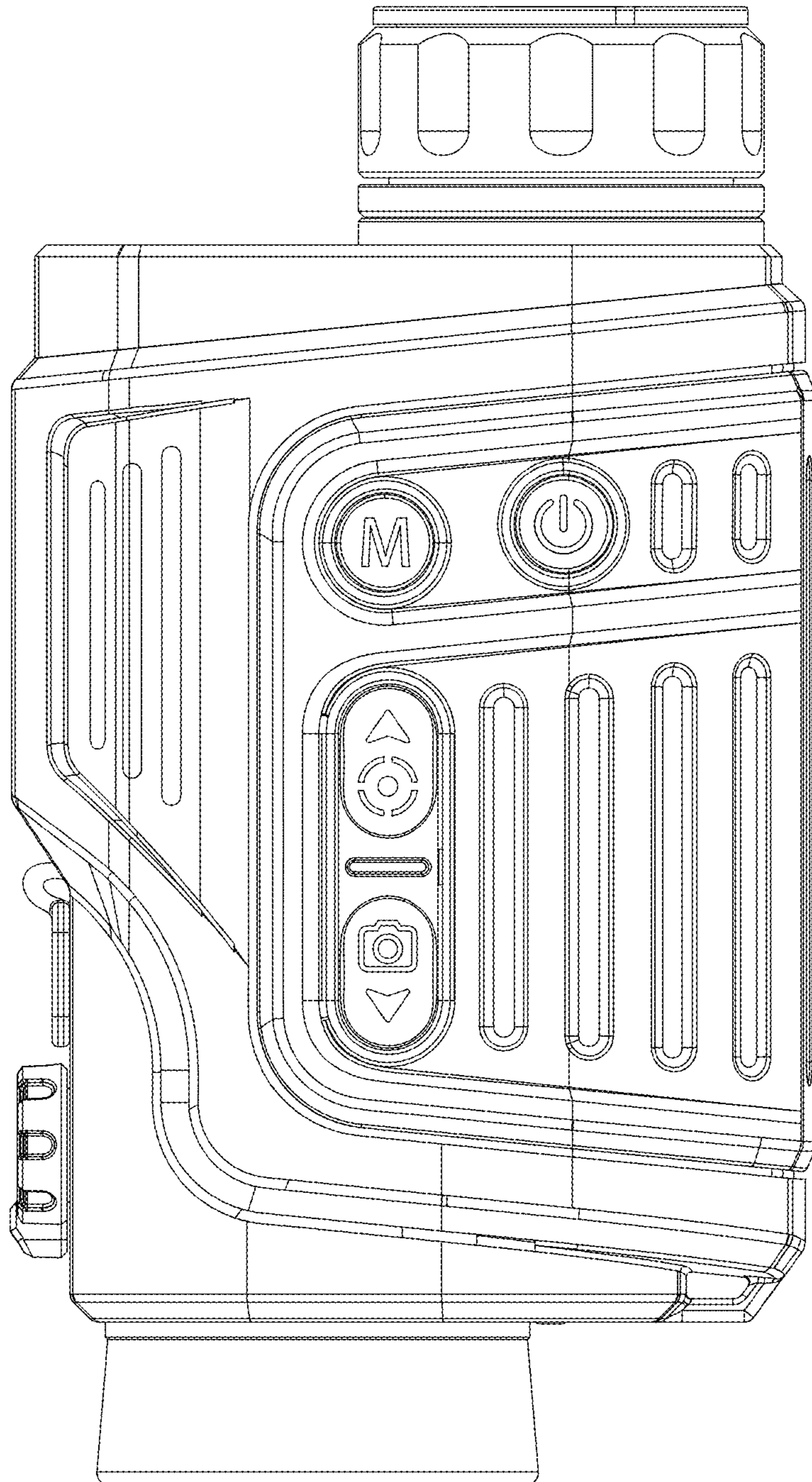


FIG. 3

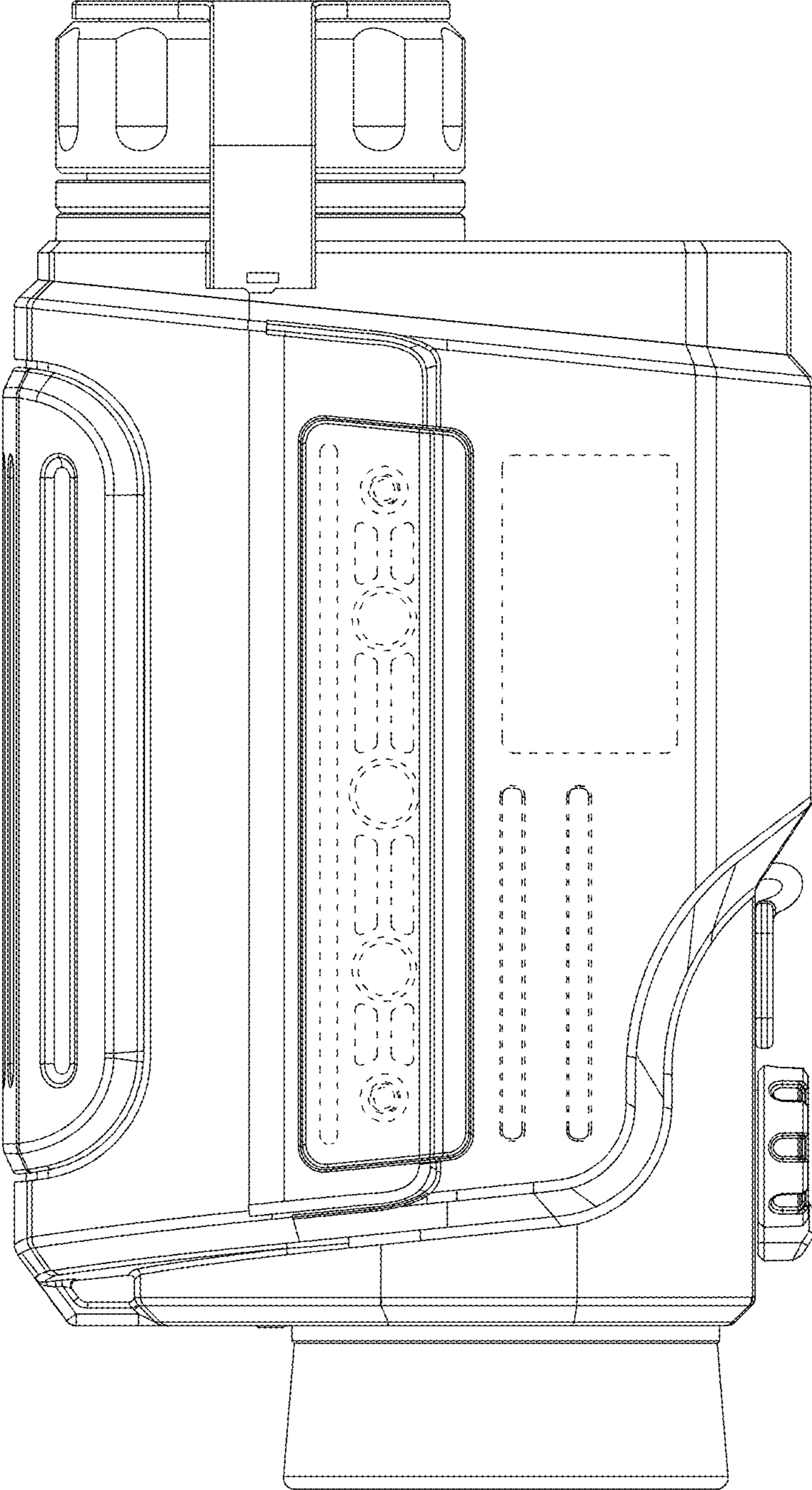


FIG. 4

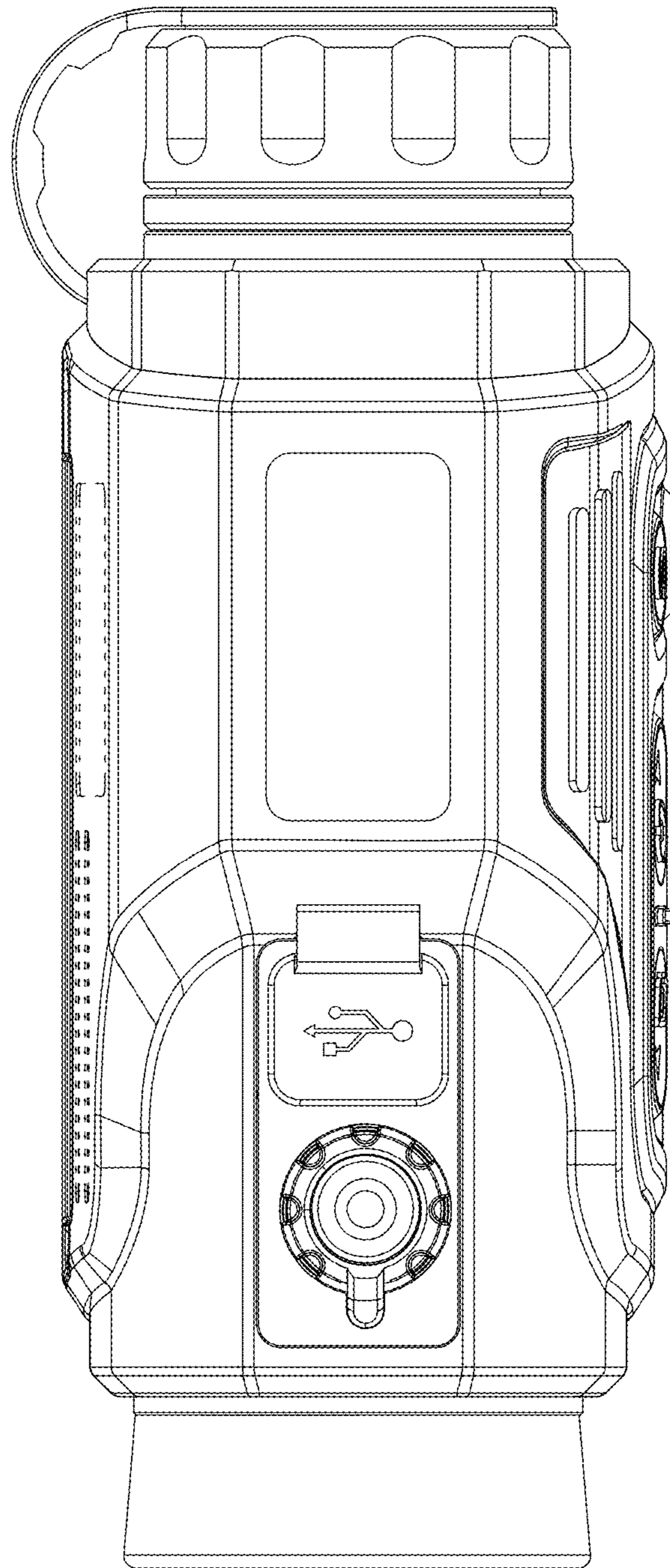


FIG. 5



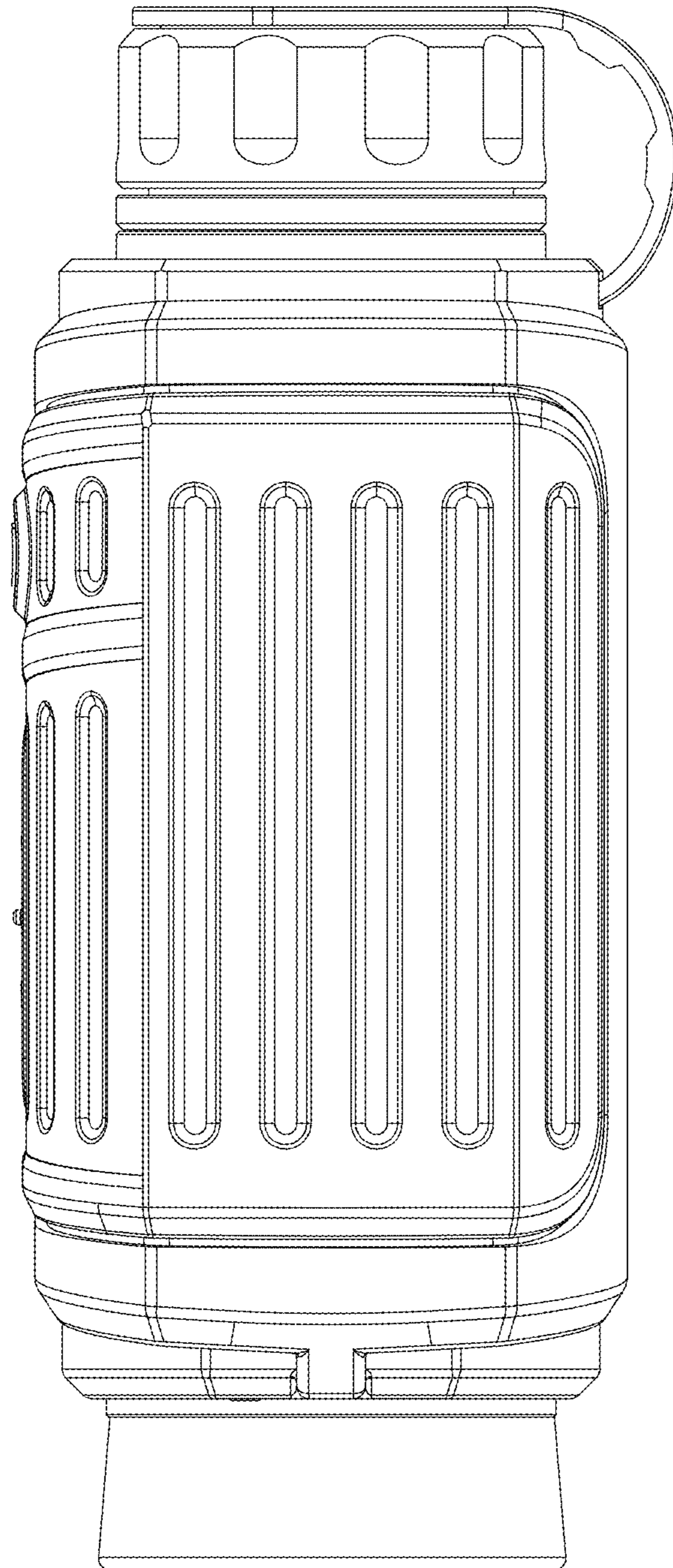


FIG. 6

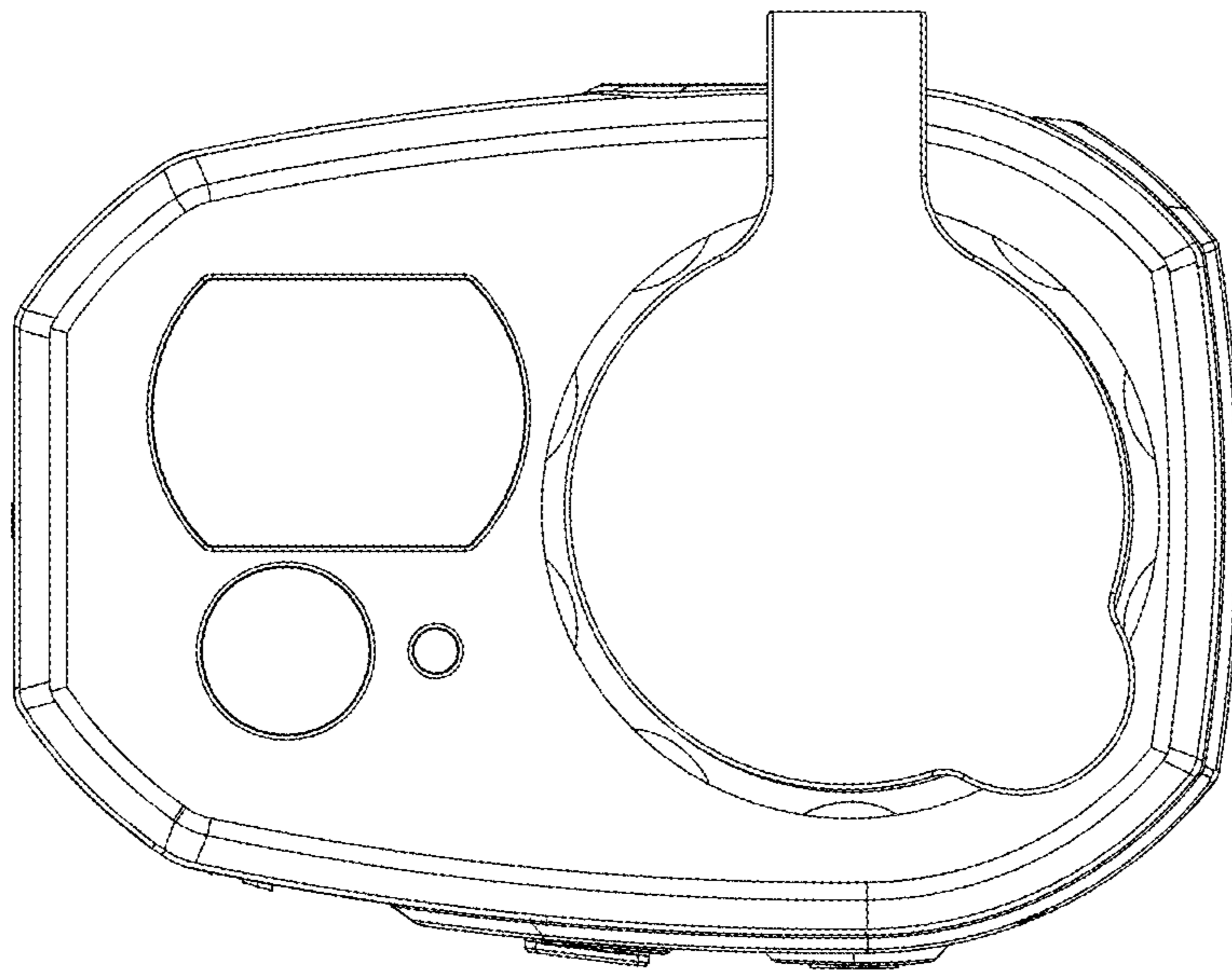


FIG. 7



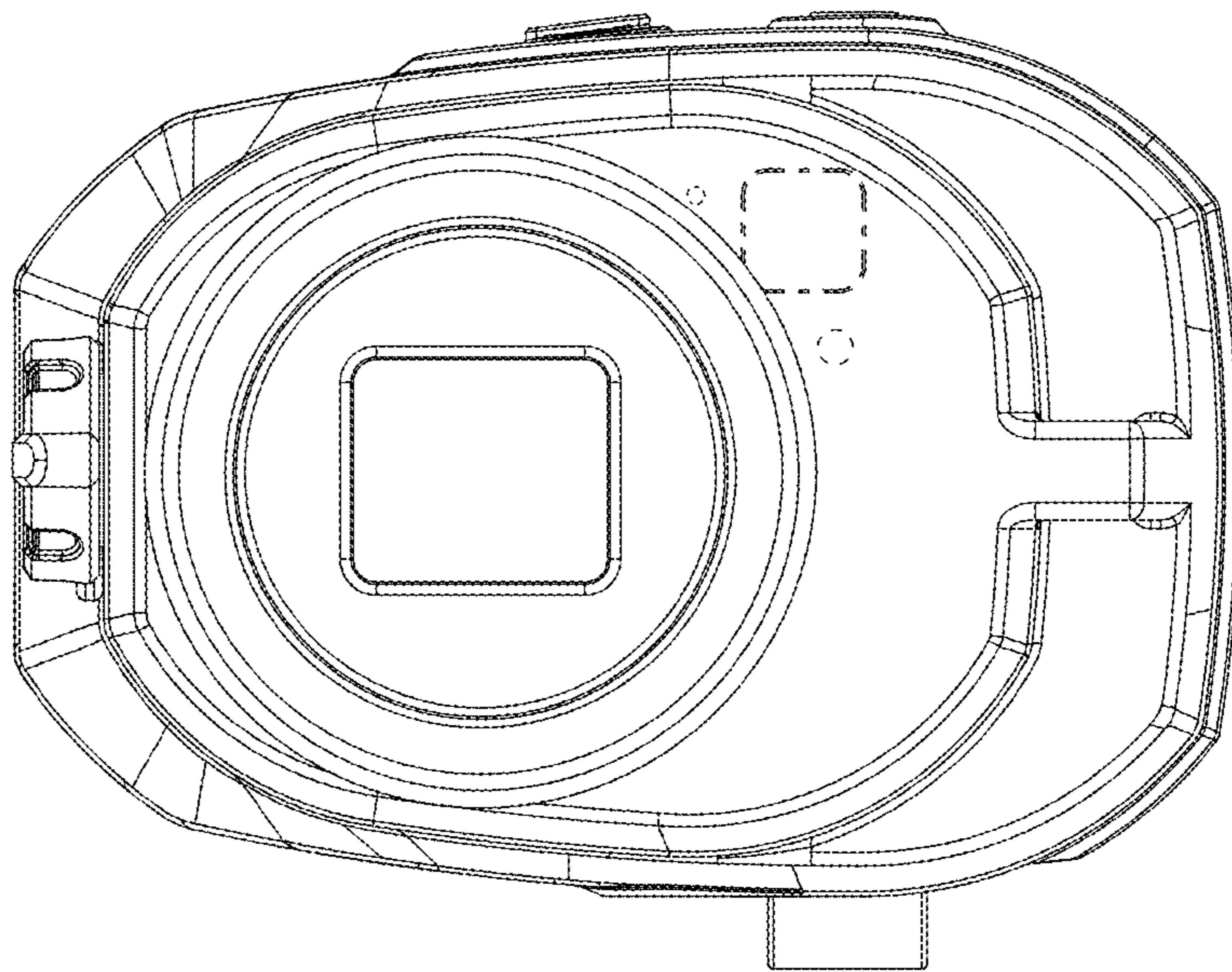


FIG. 8