



US00D970583S

(12) **United States Design Patent**  
**Cui**

(10) **Patent No.:** **US D970,583 S**  
(45) **Date of Patent:** **\*\* Nov. 22, 2022**

(54) **CAMERA**

(71) Applicants: **China-Germany Artificial Intelligence Institute Co., Ltd.**, Zhuhai (CN);  
**ZHUHAI 4DAGE TECHNOLOGY CO., LTD.**, Zhuhai (CN)

(72) Inventor: **Yan Cui**, Zhuhai (CN)

(73) Assignees: **China-Germany Artificial Intelligence Institute Co., Ltd.**, Zhuhai (CN);  
**ZHUHAI 4DAGE TECHNOLOGY CO., LTD.**, Zhuhai (CN)

(\*\*) Term: **15 Years**

(21) Appl. No.: **29/819,973**

(22) Filed: **Dec. 18, 2021**

(30) **Foreign Application Priority Data**

Jun. 21, 2021 (CN) ..... 202130381716.1

(51) **LOC (13) Cl.** ..... **16-01**

(52) **U.S. Cl.**  
USPC ..... **D16/203**

(58) **Field of Classification Search**  
USPC ..... D16/200–203, 208, 213, 217; D10/28,  
D10/46, 104.1, 106.1, 106.2, 106.6,  
(Continued)

(56) **References Cited**

**U.S. PATENT DOCUMENTS**

D540,359 S \* 4/2007 Renkis ..... D16/208  
D550,742 S \* 9/2007 Ishii ..... D16/218  
(Continued)

**FOREIGN PATENT DOCUMENTS**

CN 307108495 \* 2/2022  
CN 307224610 \* 4/2022

**OTHER PUBLICATIONS**

“Vosker—V200—Nation-Wide—Solar Powered 4G-LTE Cellular Outdoor Security Camera” from Uhs-hardware.com, first retrieved

on Jul. 22, 2022 from the internet <[https://www.uhs-hardware.com/products/vosker-v200-USA-nation-wide-solar-powered-4g-lte-cellular-outdoor-security-camera-usa?variant=39637295333443/?utm\\_source=surfaces&utm\\_medium=freelistings&dfw\\_tracker=93526-VOS-V200-US&gclid=EAIaIQobChMIreTbup-N-QIVpsyGCh3mAwTHEAwYAyABEgJKGvD\\_BwE](https://www.uhs-hardware.com/products/vosker-v200-USA-nation-wide-solar-powered-4g-lte-cellular-outdoor-security-camera-usa?variant=39637295333443/?utm_source=surfaces&utm_medium=freelistings&dfw_tracker=93526-VOS-V200-US&gclid=EAIaIQobChMIreTbup-N-QIVpsyGCh3mAwTHEAwYAyABEgJKGvD_BwE)> (Year: 2022).\*

(Continued)

*Primary Examiner* — Elizabeth J Oswecki

*Assistant Examiner* — Lacey Chey Bowman

(74) *Attorney, Agent, or Firm* — ScienBiziP, P.C.

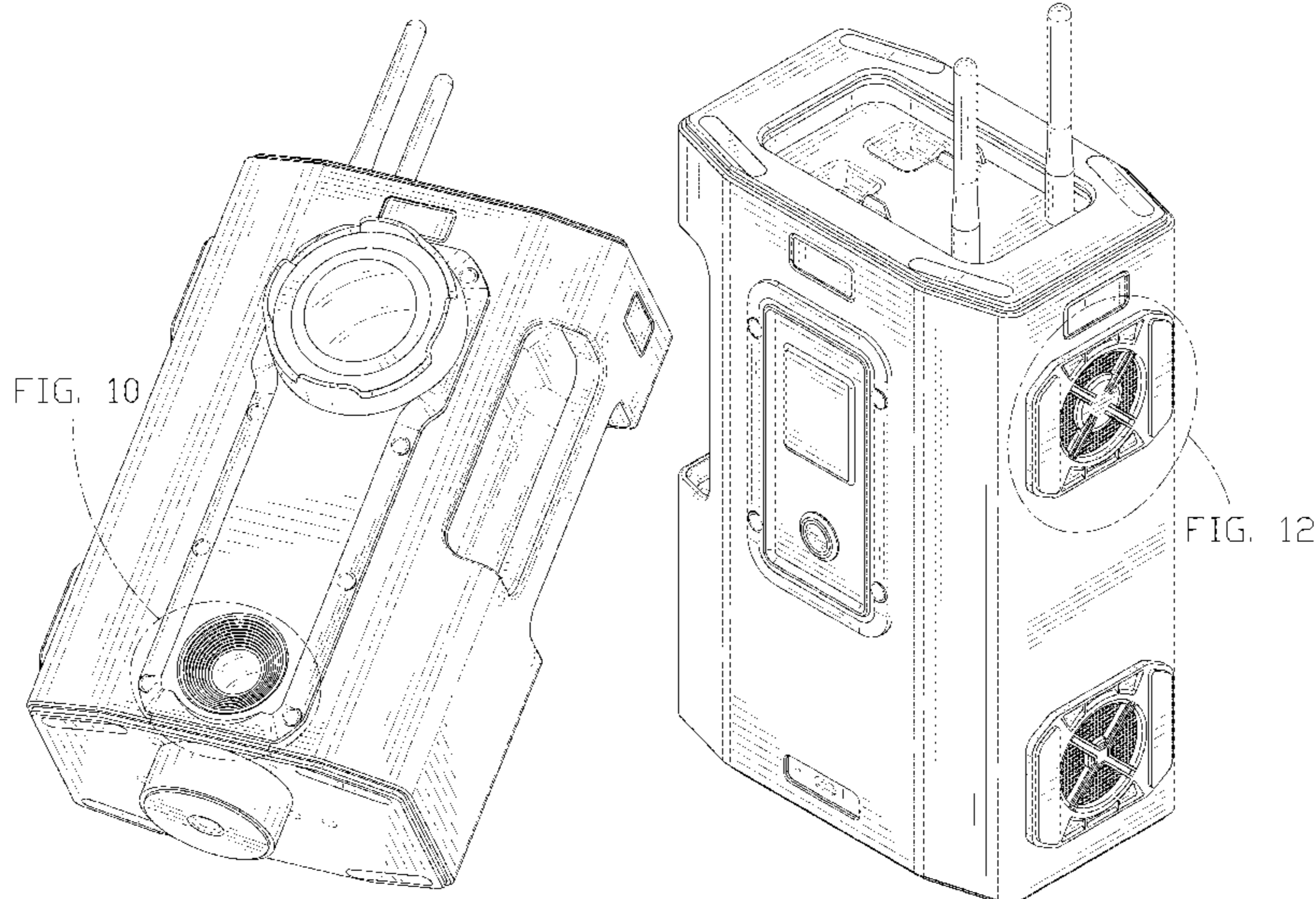
(57) **CLAIM**

The ornamental design for a camera, as shown and described.

**DESCRIPTION**

FIG. 1 is a front, right, and bottom perspective view of a camera, showing my new design;  
FIG. 2 is a front, left, and top perspective view thereof;  
FIG. 3 is a rear, left, and top perspective view thereof;  
FIG. 4 is a front elevation view thereof;  
FIG. 5 is a rear elevation view thereof;  
FIG. 6 is a left side elevation view thereof;  
FIG. 7 is a right side elevation view thereof;  
FIG. 8 is a top plan view thereof;  
FIG. 9 is a bottom plan view thereof;  
FIG. 10 is an enlarged portion view taken from encircled portion labeled, “FIG. 10,” in FIG. 1;  
FIG. 11 is an enlarged portion view taken from encircled portion labeled, “FIG. 11,” in FIG. 2; and,  
FIG. 12 is an enlarged portion view taken from encircled portion labeled, “FIG. 12,” in FIG. 3.  
The dashed-dot lines form the boundary of the enlarged portion views in FIGS. 1-3 and 10-12 and form no part of the claimed design. The even broken lines shown in the drawings are included for the purpose of illustrating portions of the camera that form no part of the claimed design.

**1 Claim, 12 Drawing Sheets**



(58) **Field of Classification Search**

USPC ..... D10/109.2; D14/203.1, 204, 474, 496,  
D14/510  
CPC .... G03B 17/00; G03B 17/02; G03B 2217/00;  
H04N 5/2251; H04N 5/2252  
See application file for complete search history.

(56) **References Cited**

U.S. PATENT DOCUMENTS

D671,584 S	*	11/2012	Ohno	.....	D16/202
D770,553 S	*	11/2016	Schild	.....	D16/202
D802,644 S	*	11/2017	Lee	.....	D16/202
D848,509 S	*	5/2019	Lee	.....	D16/218
D870,185 S		12/2019	Nagaoka et al.		
D887,481 S	*	6/2020	Brickner	.....	D16/218
D937,922 S		12/2021	Petty et al.		
D946,218 S	*	3/2022	Xiao	.....	D10/104.1
D957,501 S	*	7/2022	Jiang	.....	D16/203

OTHER PUBLICATIONS

“Bluetooth WIFI Game & Trail Camera Security Camera 32MP Picture 1296P Video Black Flash Wildlife Cam Night Vision Motion Activated Waterproof | A350W Red” from Blazevideo.com, first retrieved on Jul. 22, 2022 from the internet <[https://www.blazevideo.net/products/bluetooth-wifi-game-trail-camera-security-camera-32mp-picture-1296p-video-black-flash-wildlife-cam-night-vision-motion-activated-waterproof-a350w-red?utm\\_source=Gshopping\\_US&utm\\_medium=cpc&utm\\_campaign=Gshopping&ht\\_ads&gclid=EAiaIQobChMIreTbup-N-QIVpsyGCh3mAwTHEAkYByABEgKhDfD\\_BwE](https://www.blazevideo.net/products/bluetooth-wifi-game-trail-camera-security-camera-32mp-picture-1296p-video-black-flash-wildlife-cam-night-vision-motion-activated-waterproof-a350w-red?utm_source=Gshopping_US&utm_medium=cpc&utm_campaign=Gshopping&ht_ads&gclid=EAiaIQobChMIreTbup-N-QIVpsyGCh3mAwTHEAkYByABEgKhDfD_BwE)>.\*  
“Reconyx HF2XCV Hyperfire 2 Cellular Trail Camera (At&T, OD Green)” from Bhphotovideo.com, first retrieved on Sep. 27, 2022 from the internet <[https://www.bhphotovideo.com/c/product/1579578-REG/reconyx\\_hf2xca\\_hyperfire\\_2\\_cellular.html](https://www.bhphotovideo.com/c/product/1579578-REG/reconyx_hf2xca_hyperfire_2_cellular.html)> (Year: 2022).\*

\* cited by examiner

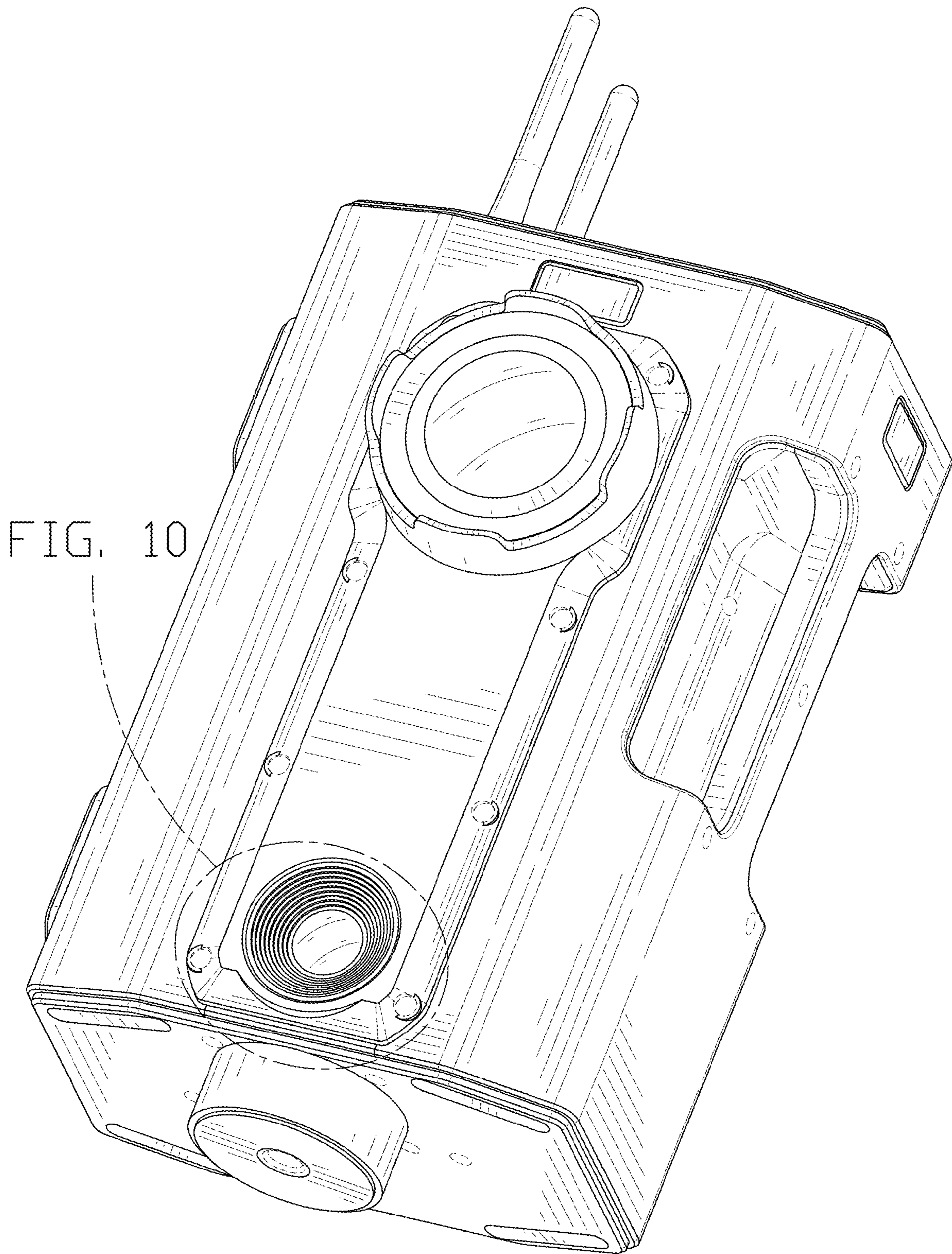


FIG. 10

FIG. 1

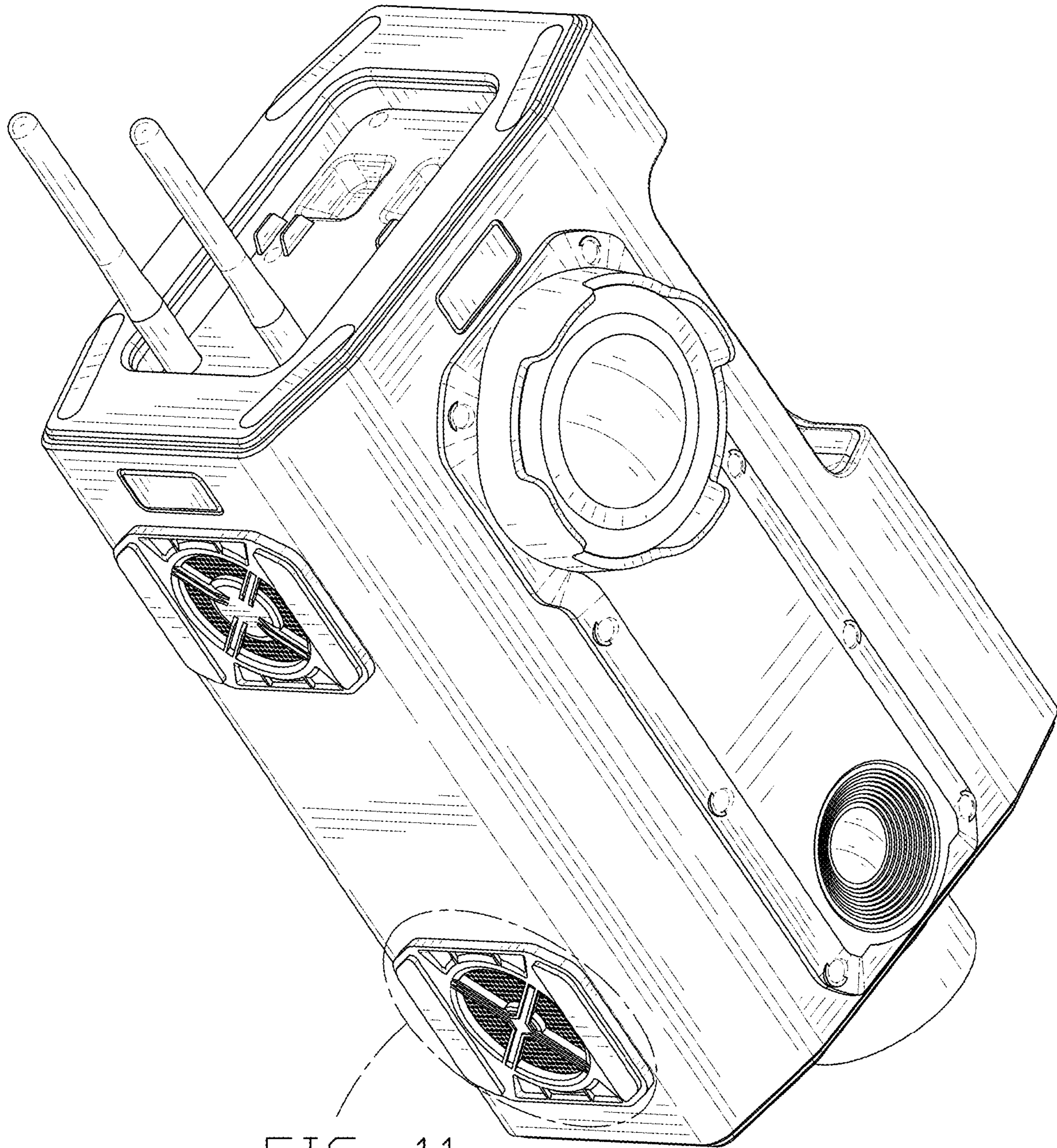


FIG. 11

FIG. 2

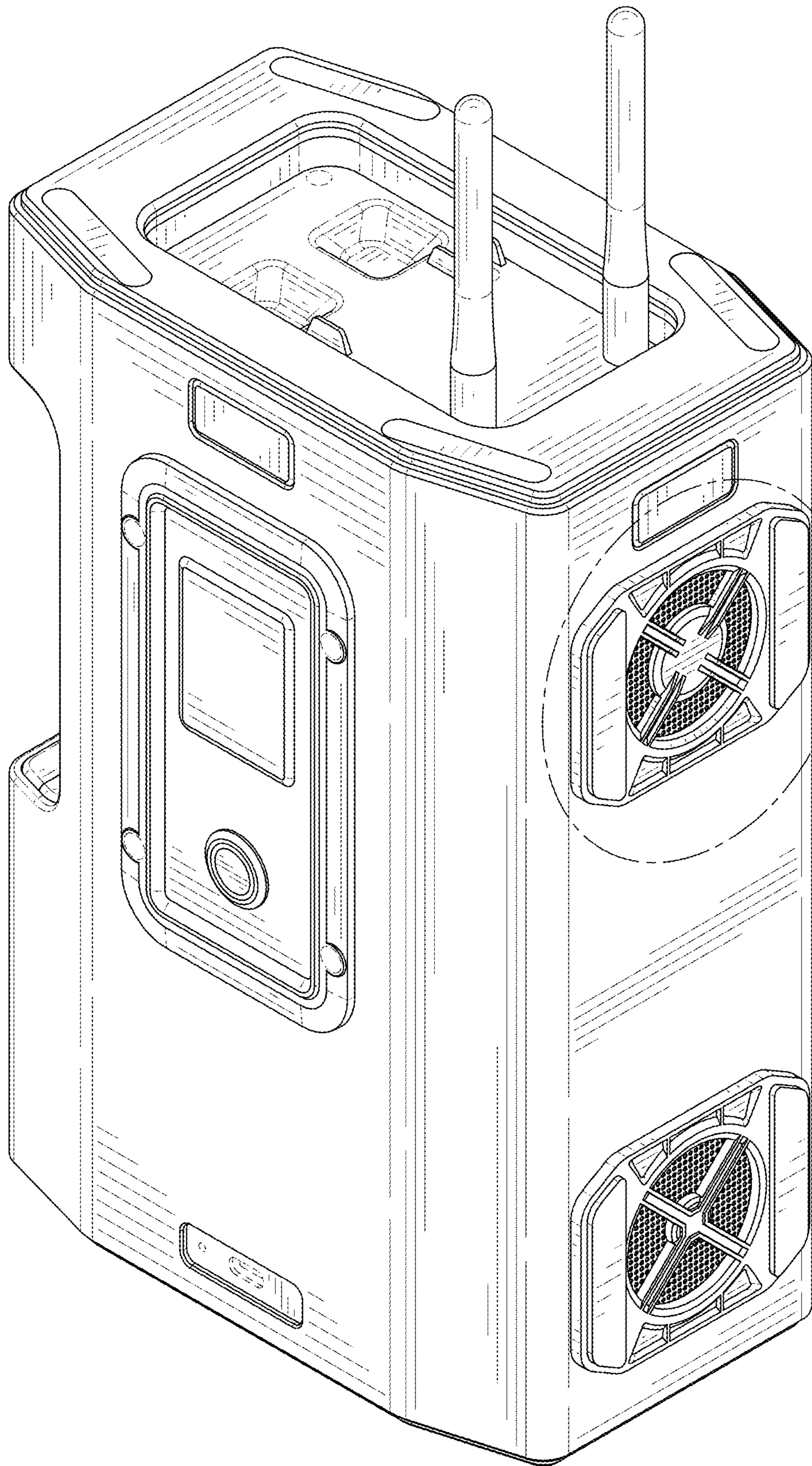


FIG. 12

FIG. 3

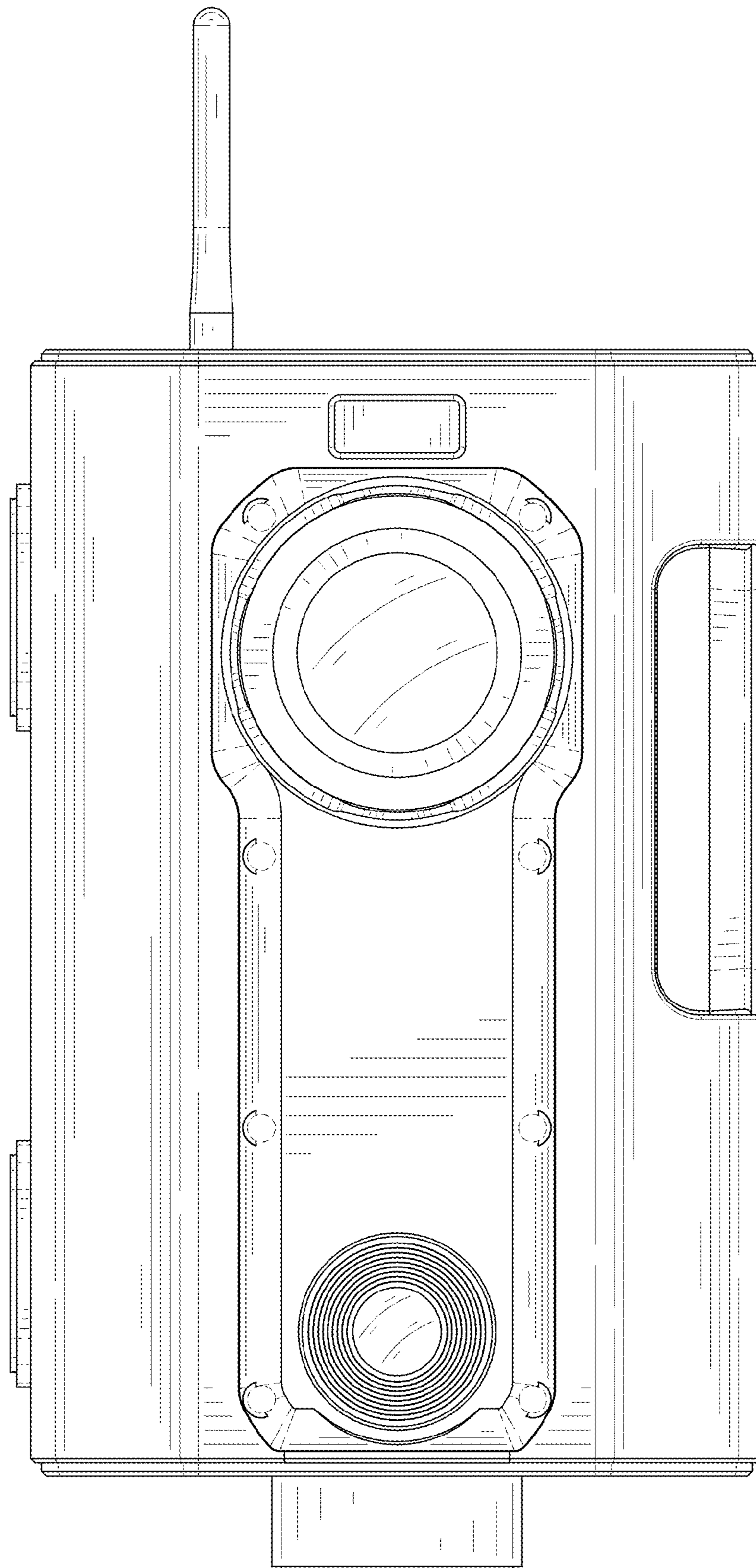


FIG. 4

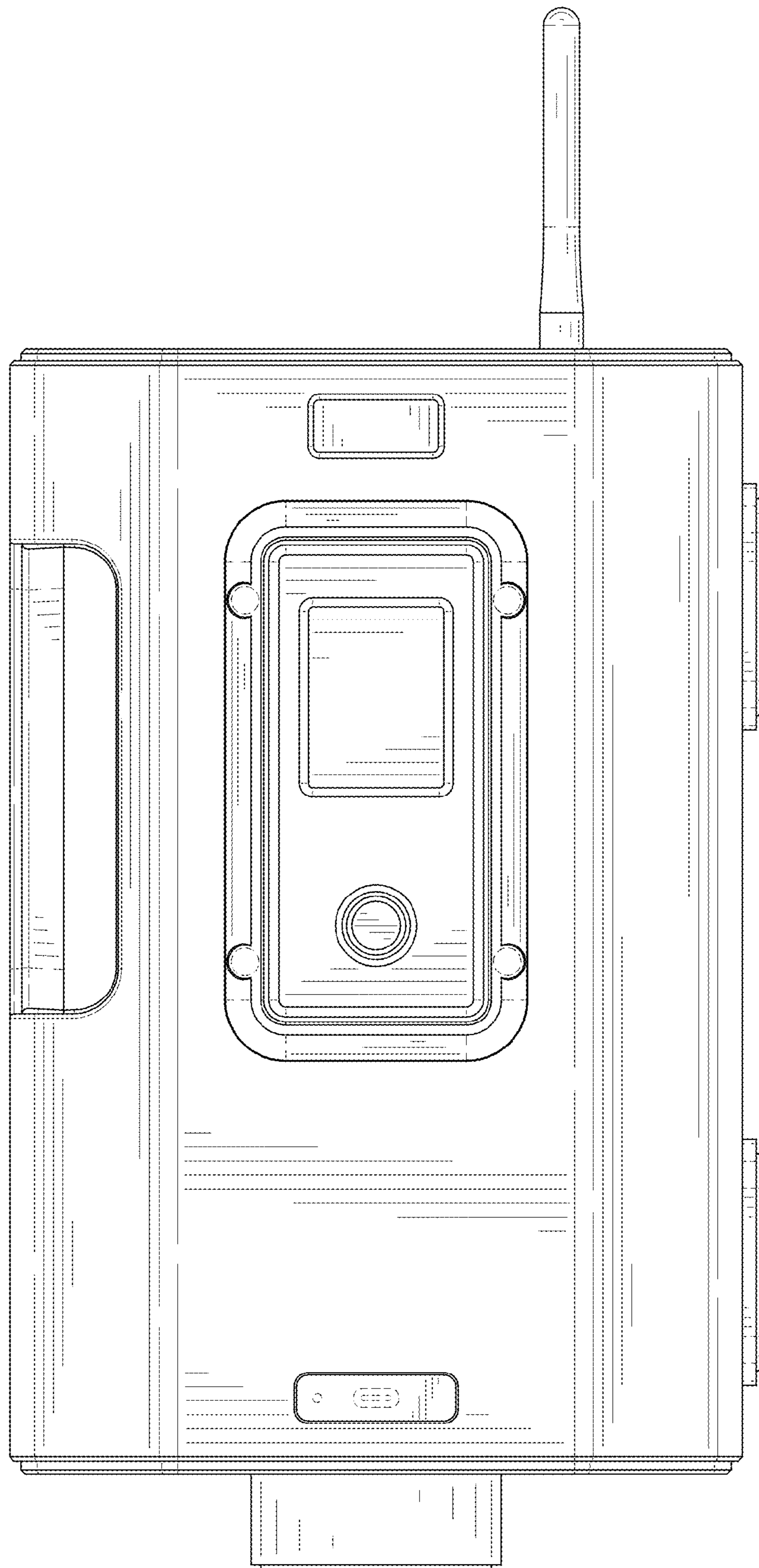


FIG. 5

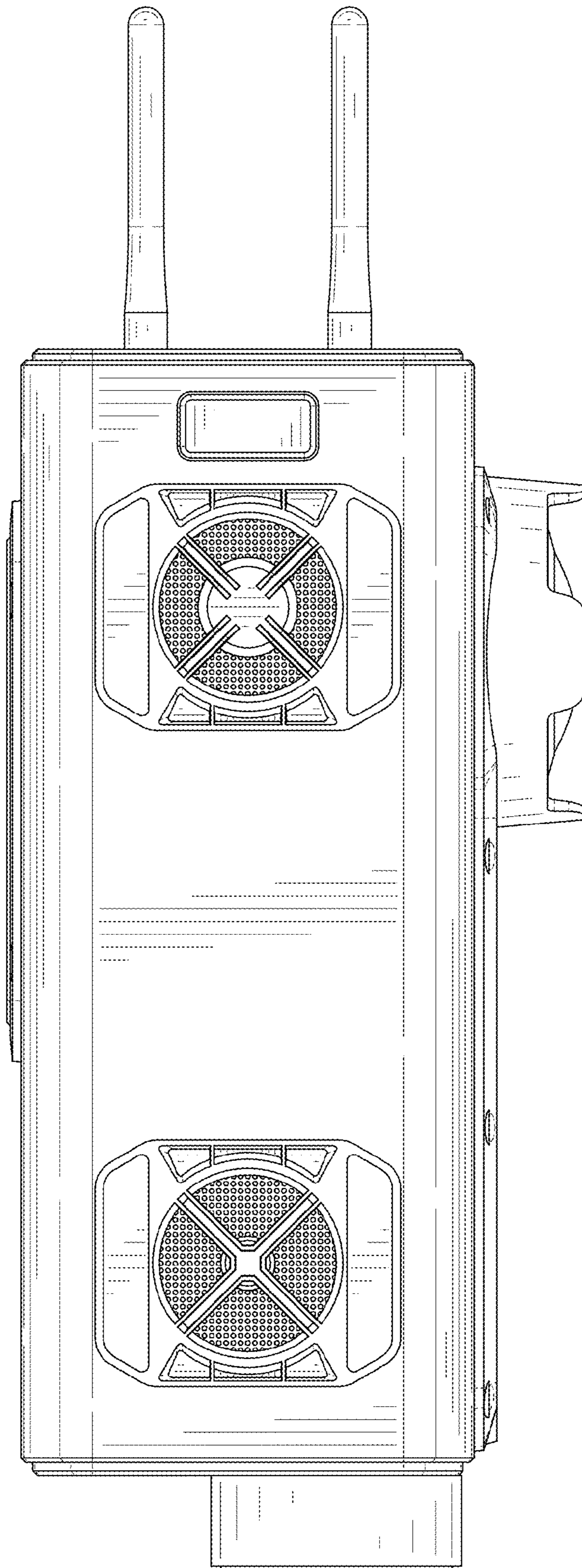


FIG. 6



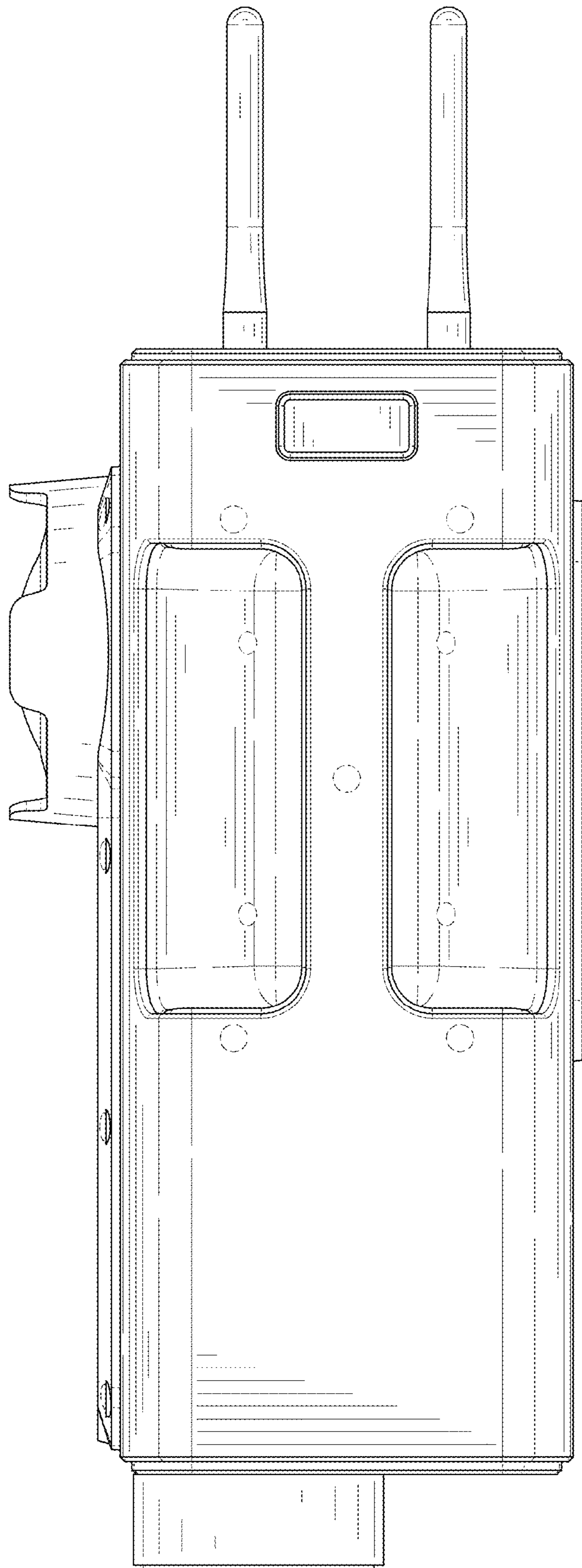


FIG. 7

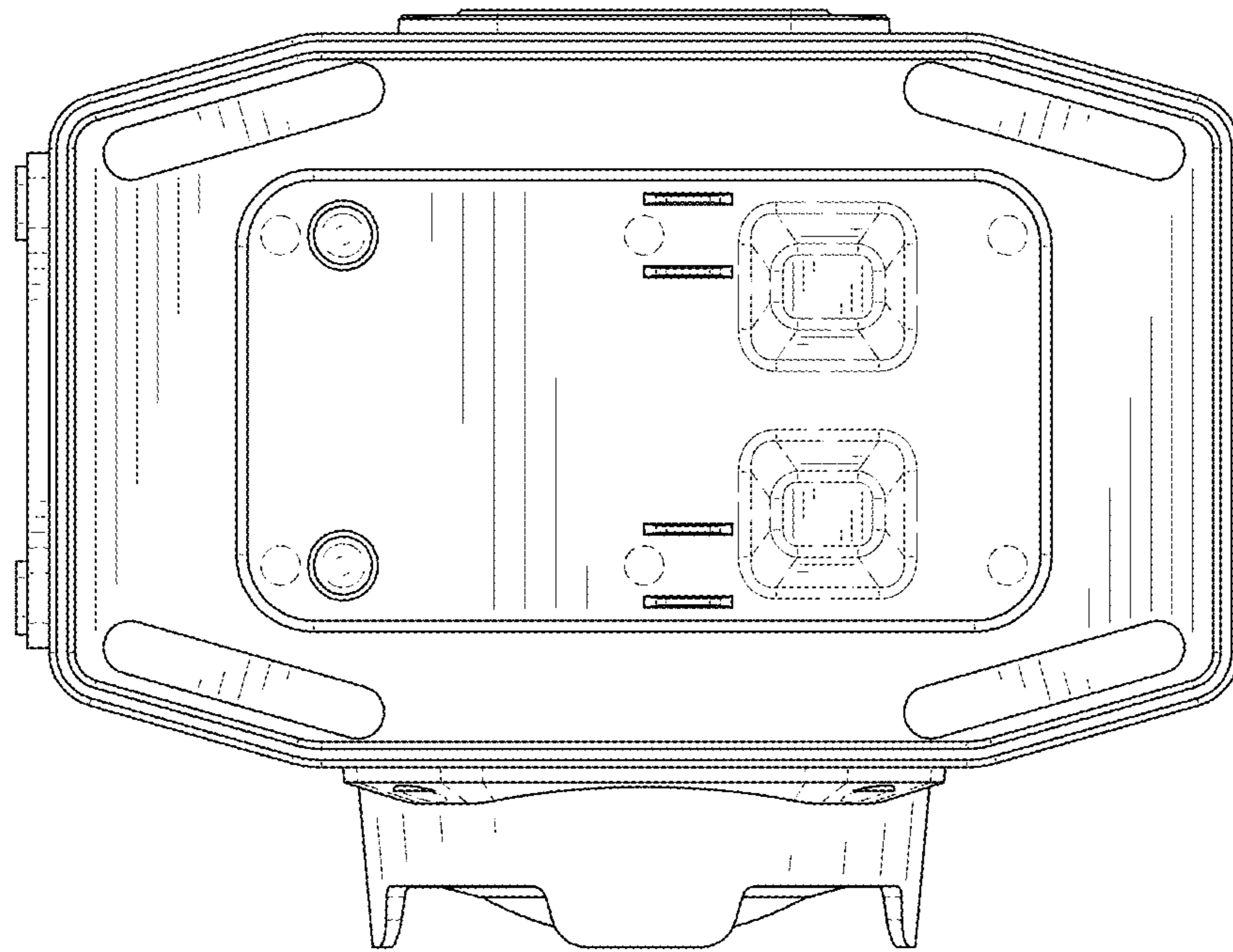


FIG. 8

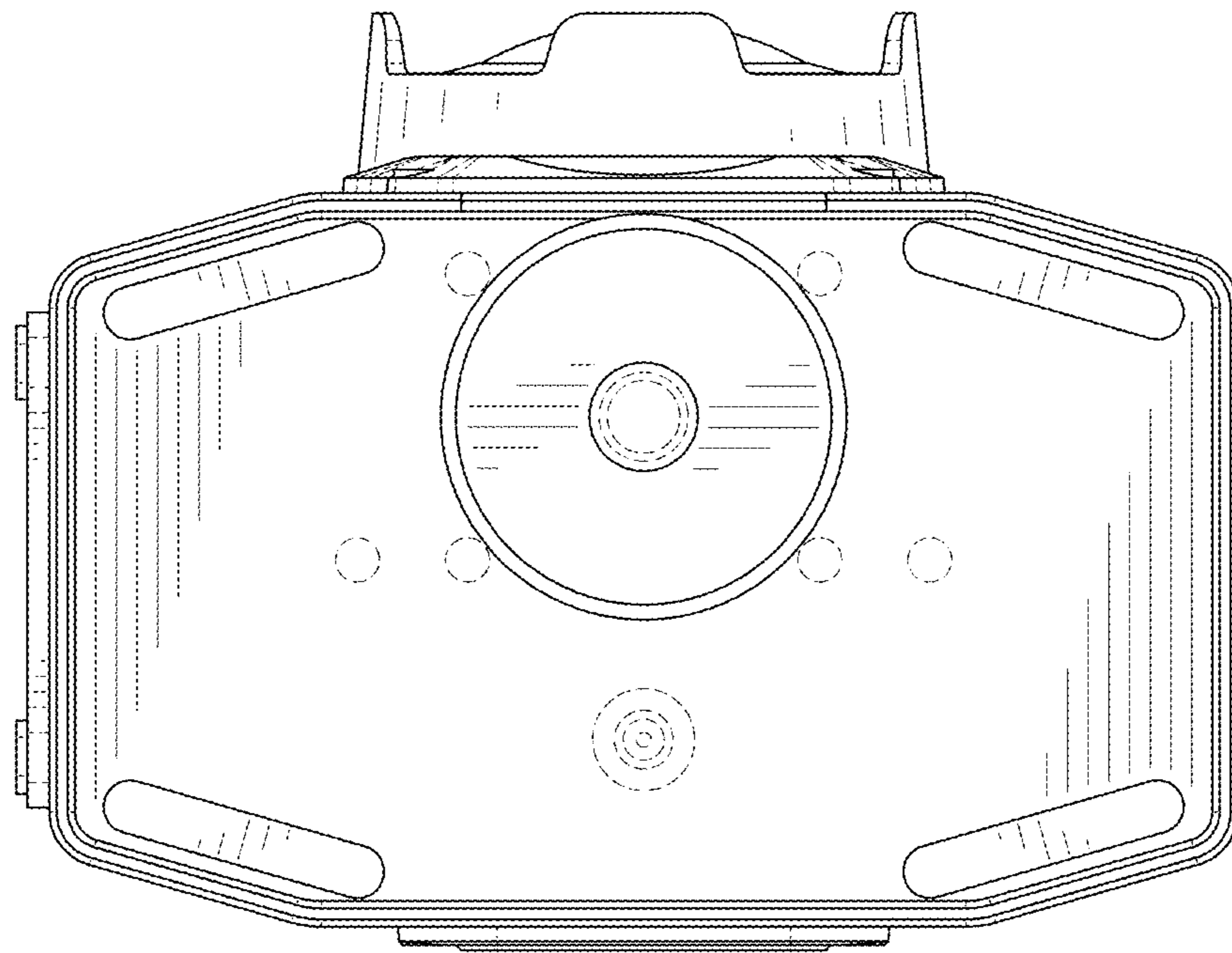


FIG. 9

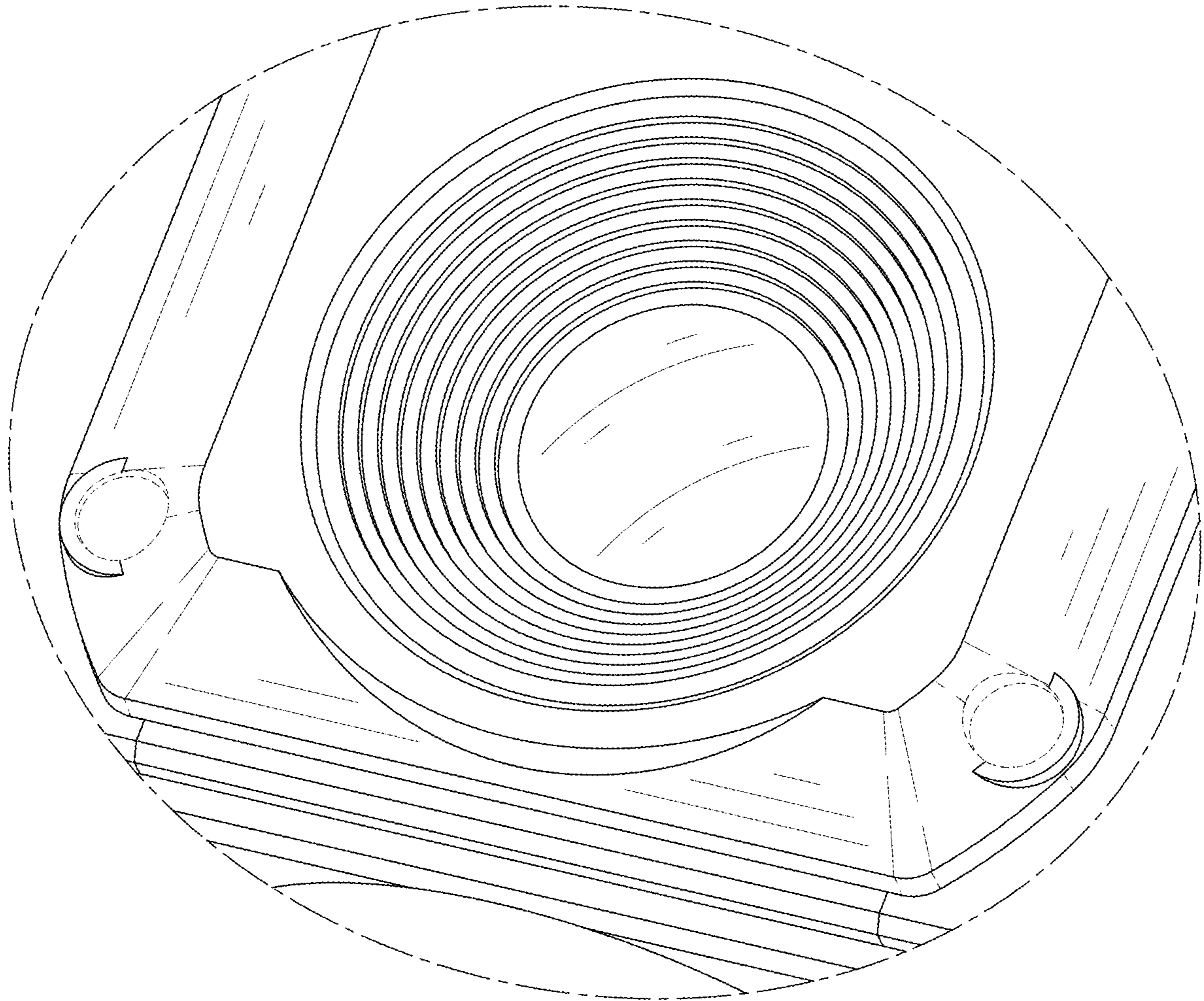


FIG. 10

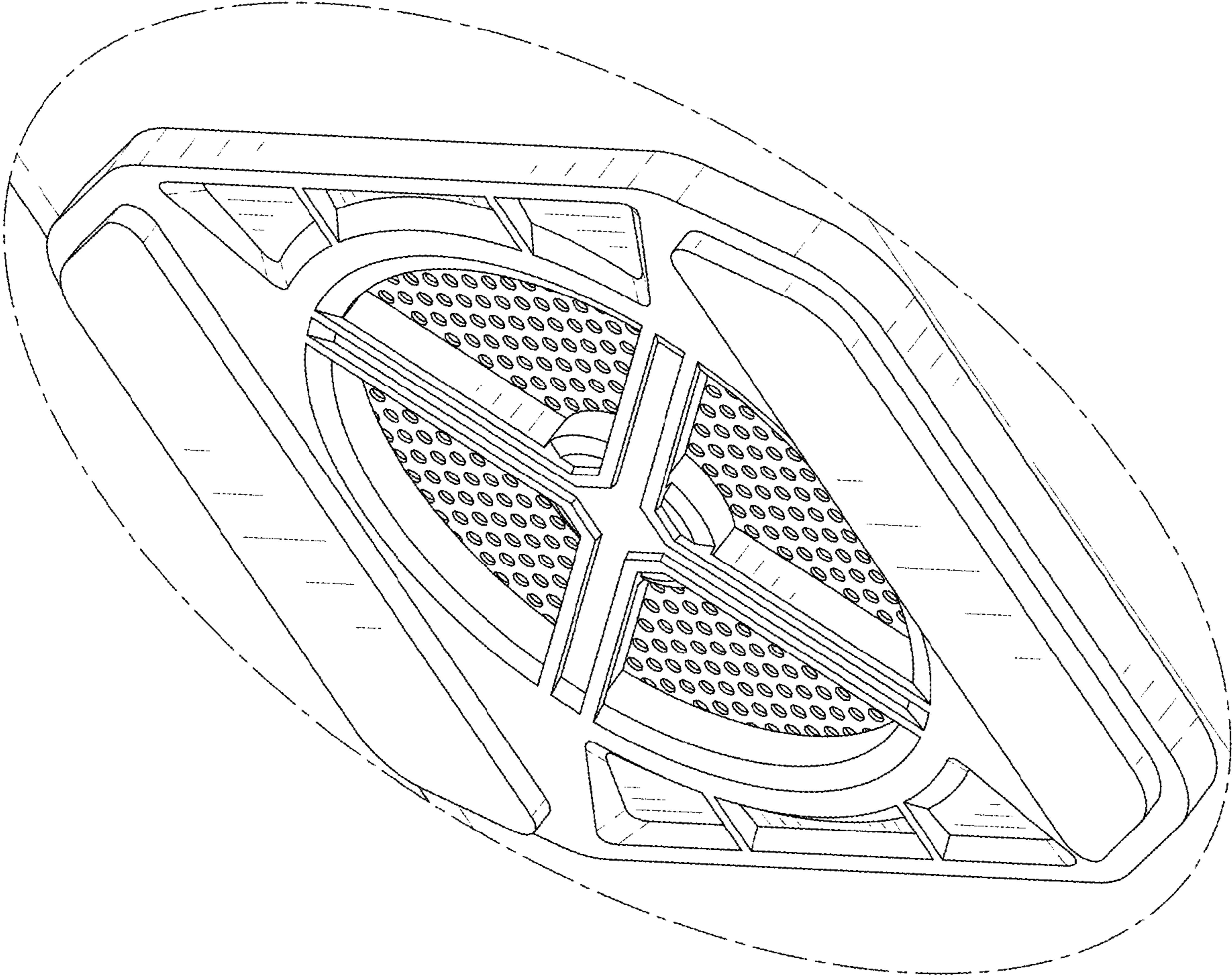


FIG. 11

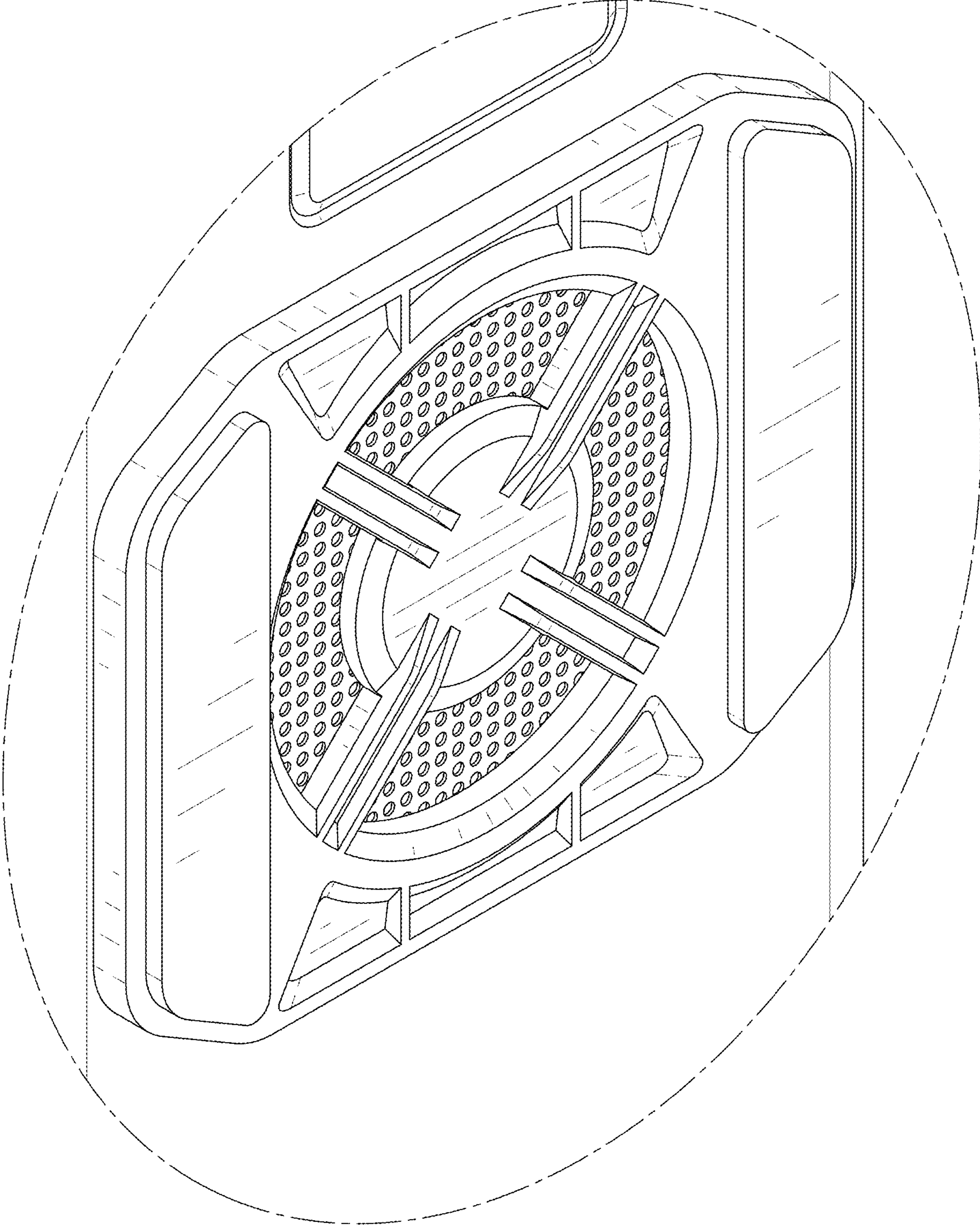


FIG. 12