



US00D970582S

(12) **United States Design Patent** (10) **Patent No.:** **US D970,582 S**
Thorne et al. (45) **Date of Patent:** **** Nov. 22, 2022**

(54) **CAMERA HOUSING**

FOREIGN PATENT DOCUMENTS

(71) Applicant: **SimpliSafe, Inc.**, Boston, MA (US)
(72) Inventors: **Scott Joseph Thorne**, Cambridge, MA (US); **Dirk Ahlgrim**, Boston, MA (US); **Rebecca Petersen**, Medford, MA (US)

CN 302960664 * 10/2014
EM 003853688-0003 * 4/2017
GB 6128820 * 4/2021

(Continued)

(73) Assignee: **SimpliSafe, Inc.**, Boston, MA (US)

OTHER PUBLICATIONS

(**) Term: **15 Years**

Lowes eufy Security Camera, earliest pictured review Feb. 11, 2022, [online], [site visited Jul. 7, 2022]. Available from Internet, <URL: https://www.lowes.com/pd/eufy-Security-Battery-Spotlight-2K/5012910911 > (Year: 2022).*

(21) Appl. No.: **29/735,017**

(Continued)

(22) Filed: **May 18, 2020**

(51) **LOC (13) Cl.** **16-01**

Primary Examiner — Sanjeev Paul

(52) **U.S. Cl.**

Assistant Examiner — Breana Copeland

USPC **D16/203**

(74) *Attorney, Agent, or Firm* — Wolf, Greenfield & Sacks, P.C.

(58) **Field of Classification Search**

USPC D16/200, 202, 203, 214, 219;
D10/106.2, 106.511, 8.1, 229.2, 109.1;
D14/203.1, 204, 317, 209.1, 474, 496
CPC .. H04N 2101/00; H04N 1/00005; H04N 7/18;
G03B 17/02; G03B 19/04; G03B 17/56
See application file for complete search history.

(57) **CLAIM**

The ornamental design for a camera housing, as shown and described.

DESCRIPTION

(56) **References Cited**

U.S. PATENT DOCUMENTS

D349,714 S 8/1994 Hasegawa
D500,511 S 1/2005 Sybilrad
D624,577 S 9/2010 Kujawski et al.
D659,871 S 5/2012 Lee et al.
D784,434 S * 4/2017 Benedetti D16/202
D797,176 S 9/2017 Lin et al.
D814,544 S * 4/2018 Moon D16/203
D825,637 S * 8/2018 Moon D16/203
D832,329 S * 10/2018 Li D16/203
D843,431 S * 3/2019 Jacob D16/203
D923,684 S * 6/2021 Grant D16/242
D924,301 S * 7/2021 Tseng D16/203

(Continued)

FIG. 1 is a lower, front, left perspective view of a camera housing;

FIG. 2 is a lower, rear, left perspective thereof;

FIG. 3 is a front view thereof;

FIG. 4 is a rear view thereof;

FIG. 5 is a left side view thereof;

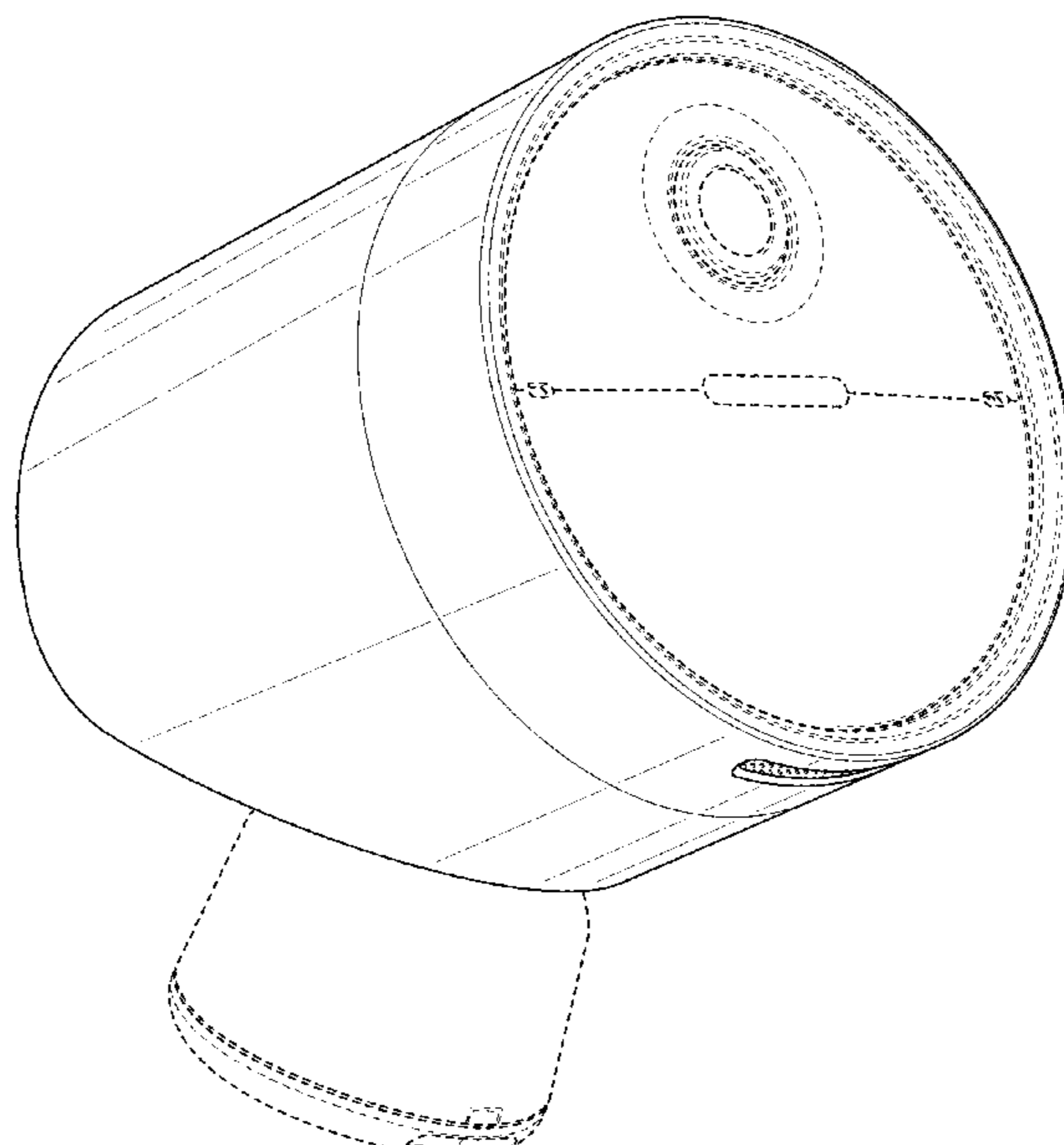
FIG. 6 is a right side view thereof;

FIG. 7 is a top view thereof; and,

FIG. 8 is a bottom view thereof.

Features shown in dashed lines in the drawings are included for the purpose of illustrating unclaimed portions of the camera housing and form no part of the claimed design.

1 Claim, 8 Drawing Sheets



(56)

References Cited

U.S. PATENT DOCUMENTS

D947,271 S * 3/2022 Chen D16/218
2021/0356104 A1 * 11/2021 Thorne F21V 23/06

FOREIGN PATENT DOCUMENTS

GB 6128821 * 4/2021
KR 301034502.0000 * 11/2019

OTHER PUBLICATIONS

Amazon Google Nest Outdoor Camera, earliest pictured review Dec. 1, 2017, [online], [site visited Jul. 7, 2022]. Available from Internet, <URL: <https://a.co/d/fJyPTQ6>> (Year: 2017).*

5MP Super HD Thermal Sensing Bullet IP Security Camera, earliest date available 2020, [online], [site visited Jul. 7, 2022]. Available from Internet, <URL <https://us.swann.com/swnhd-865msb/>> (Year: 2020).*

Google Image Search: Outdoor Mounted Camera, [online], [site visited Jul. 7, 2022]. Available from Internet, <URL: https://www.google.com/search?q=wireless+outdoor+security+cameras&source=lnms&tbm=isch&sa=X&ved=2ahUKEwiN14yeief4AhVsEFkFHQJQD5UQ_AUoA3oECAEQBQ&biw=1920&bih=937&dpr=1> (Year: 2022).*

* cited by examiner

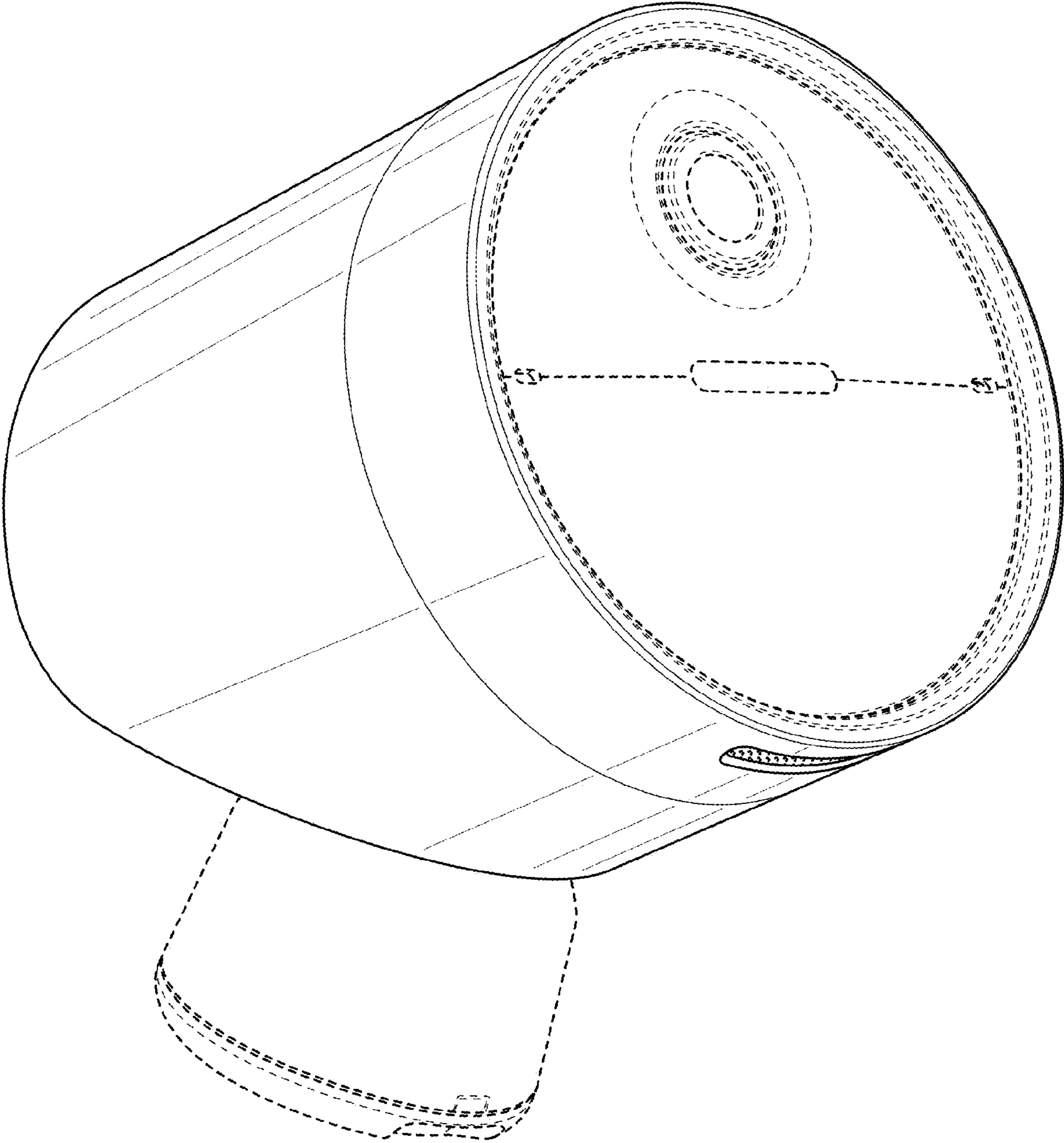


FIG. 1

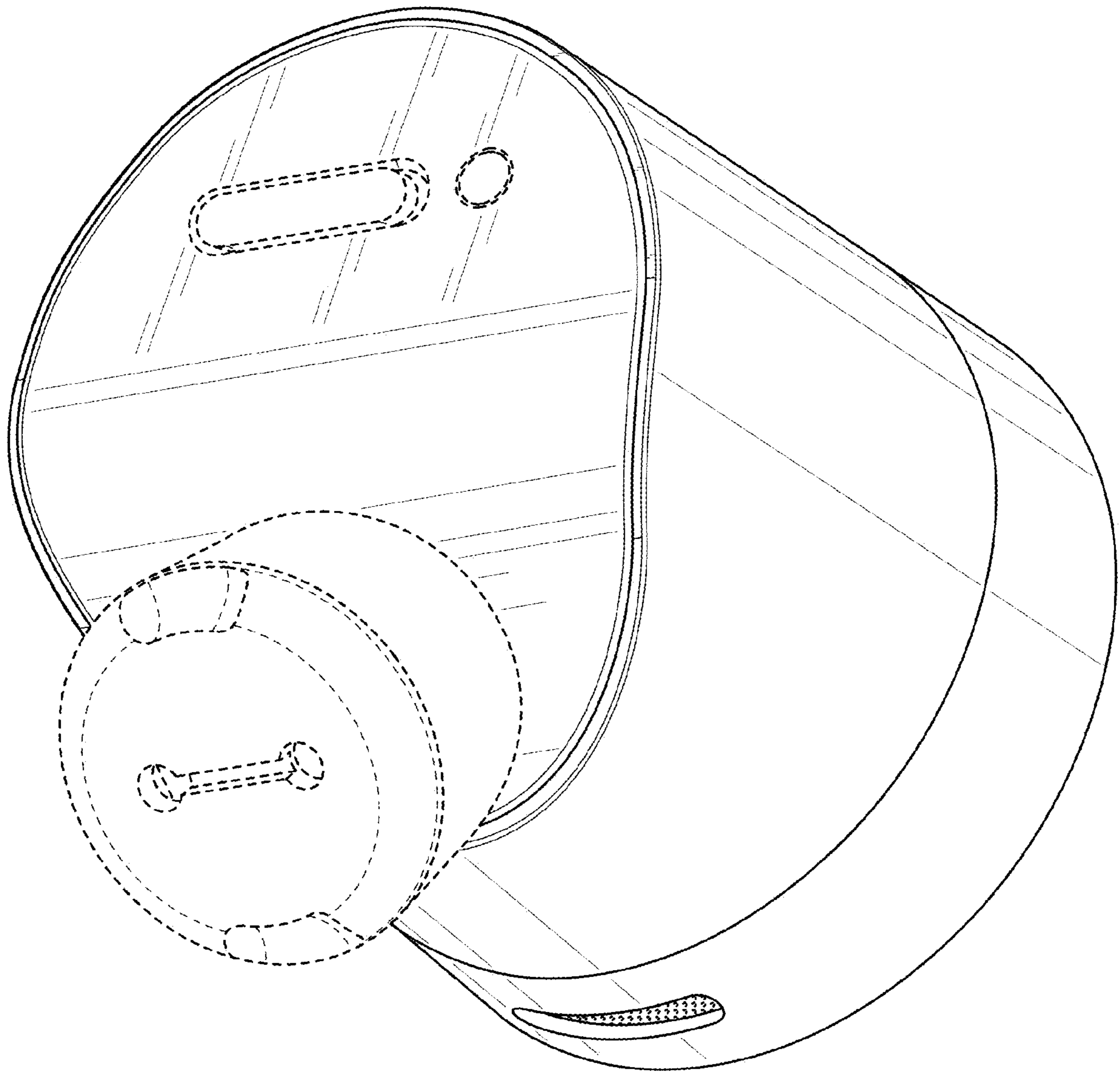


FIG. 2

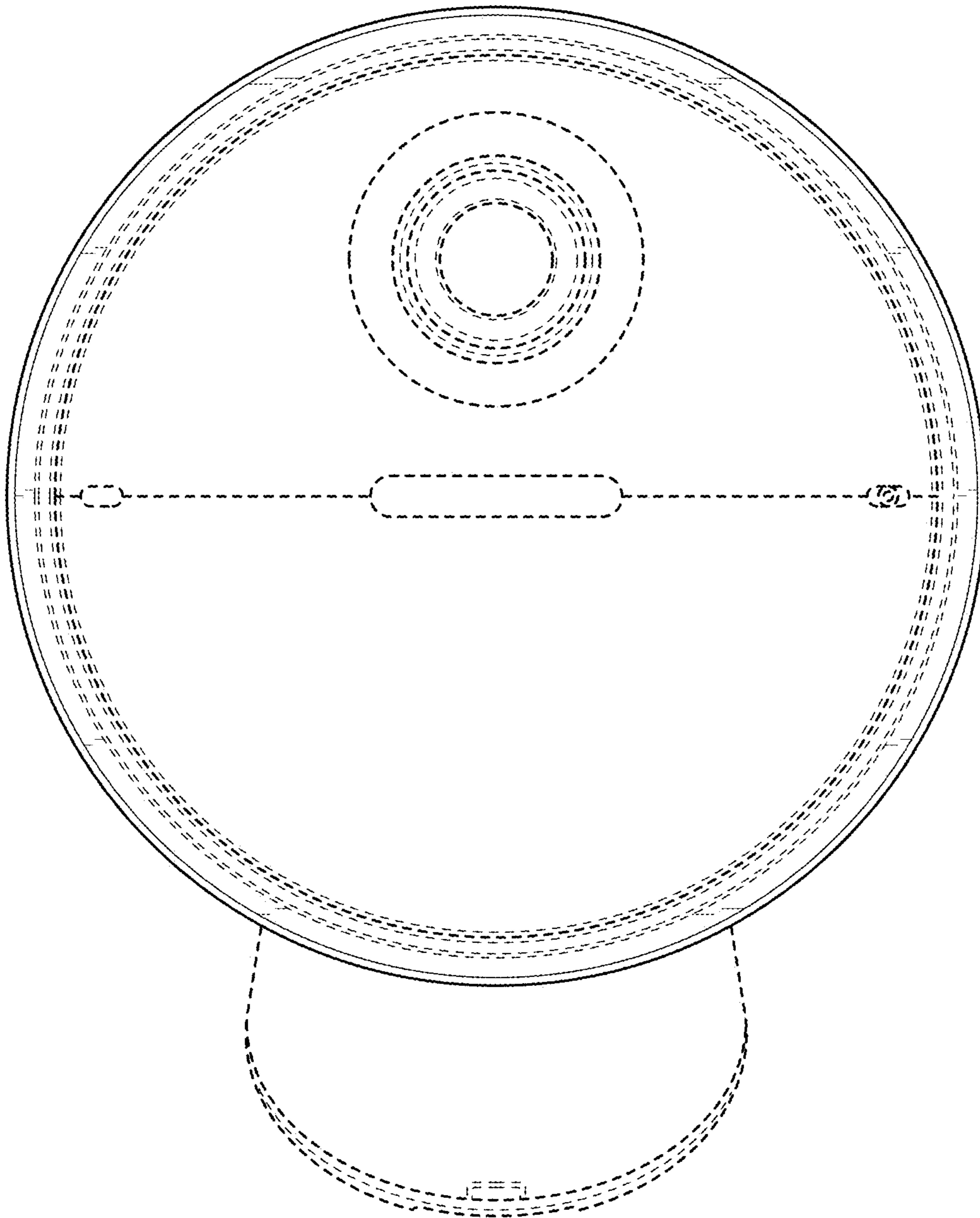


FIG. 3

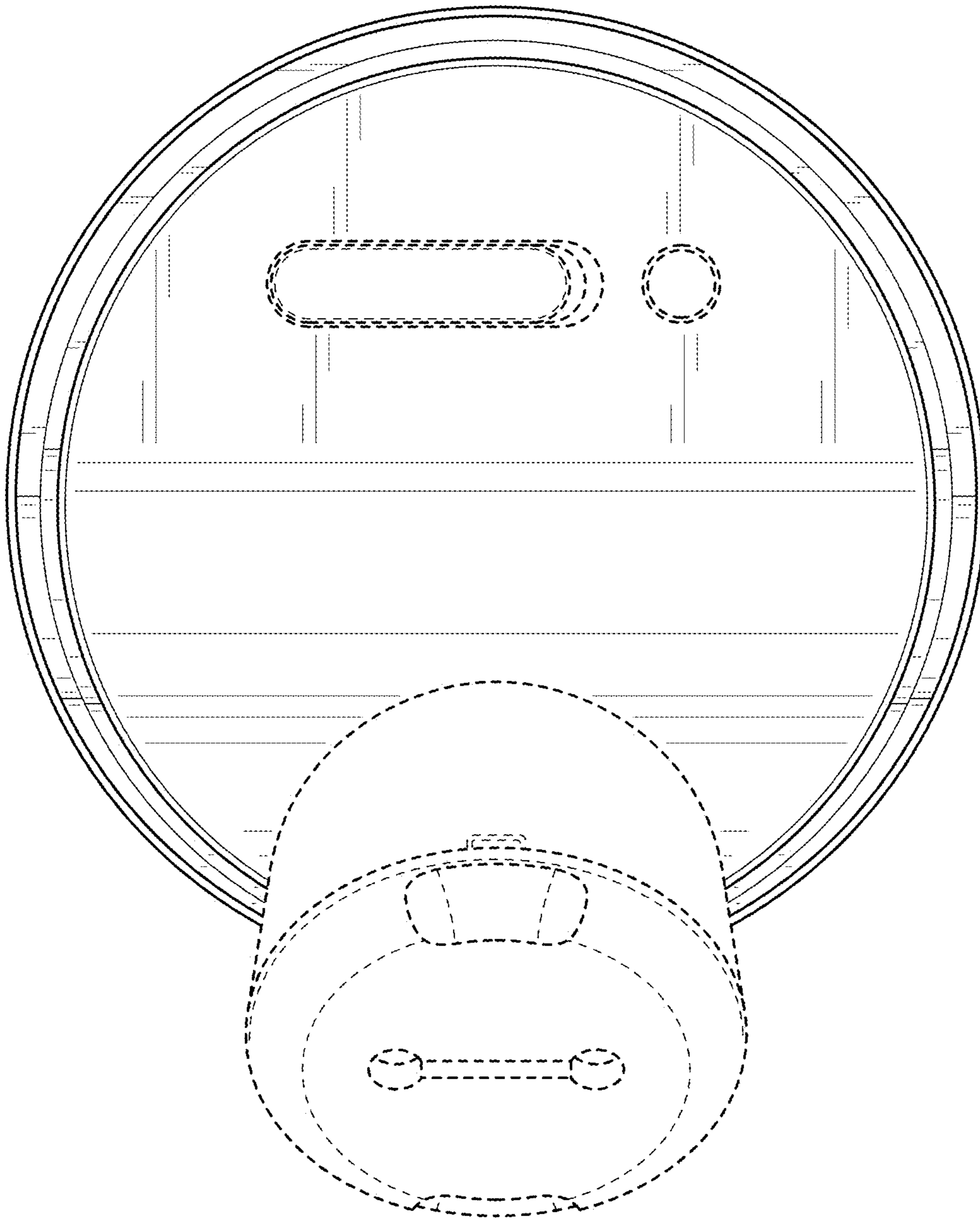


FIG. 4

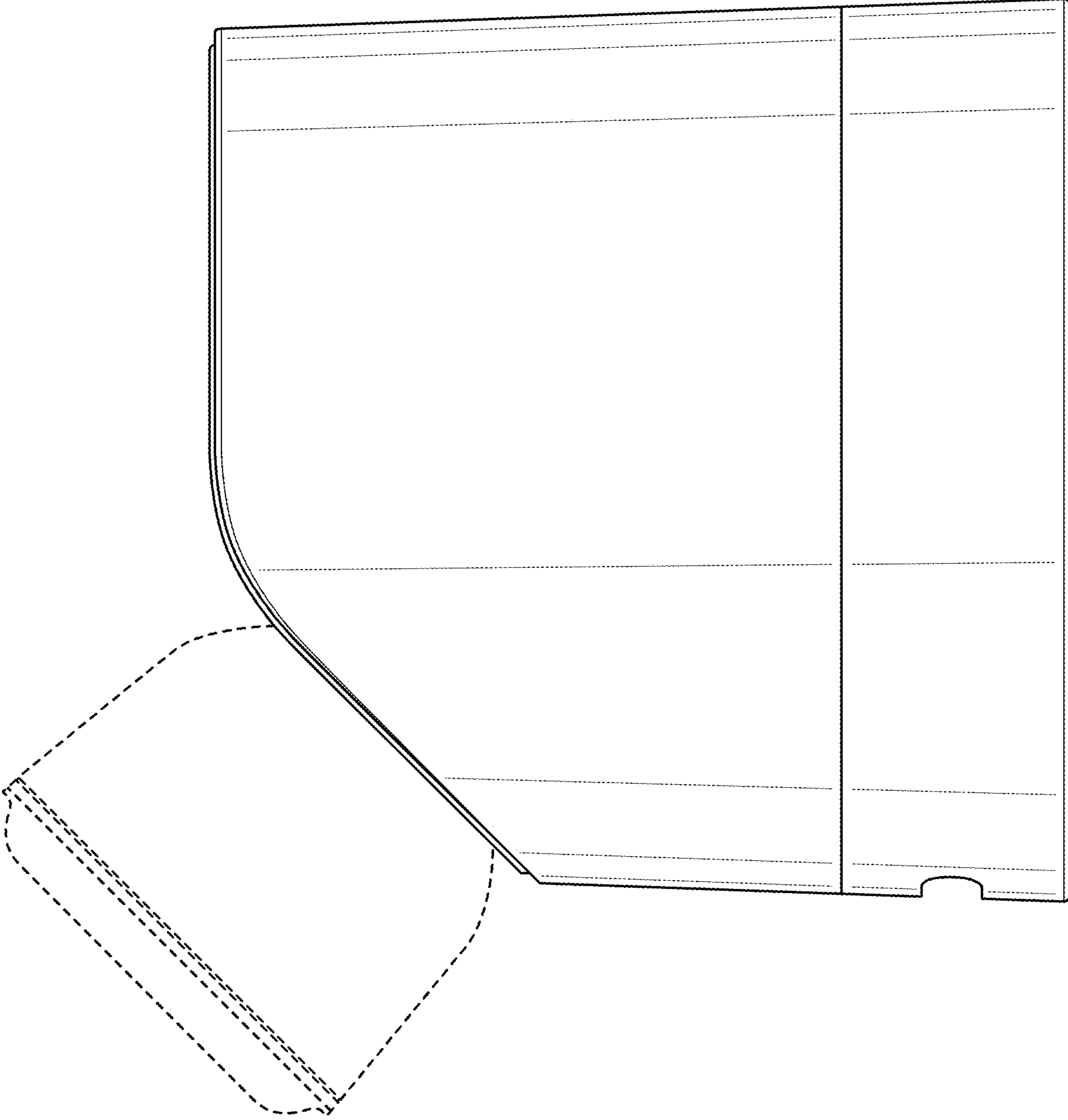


FIG. 5

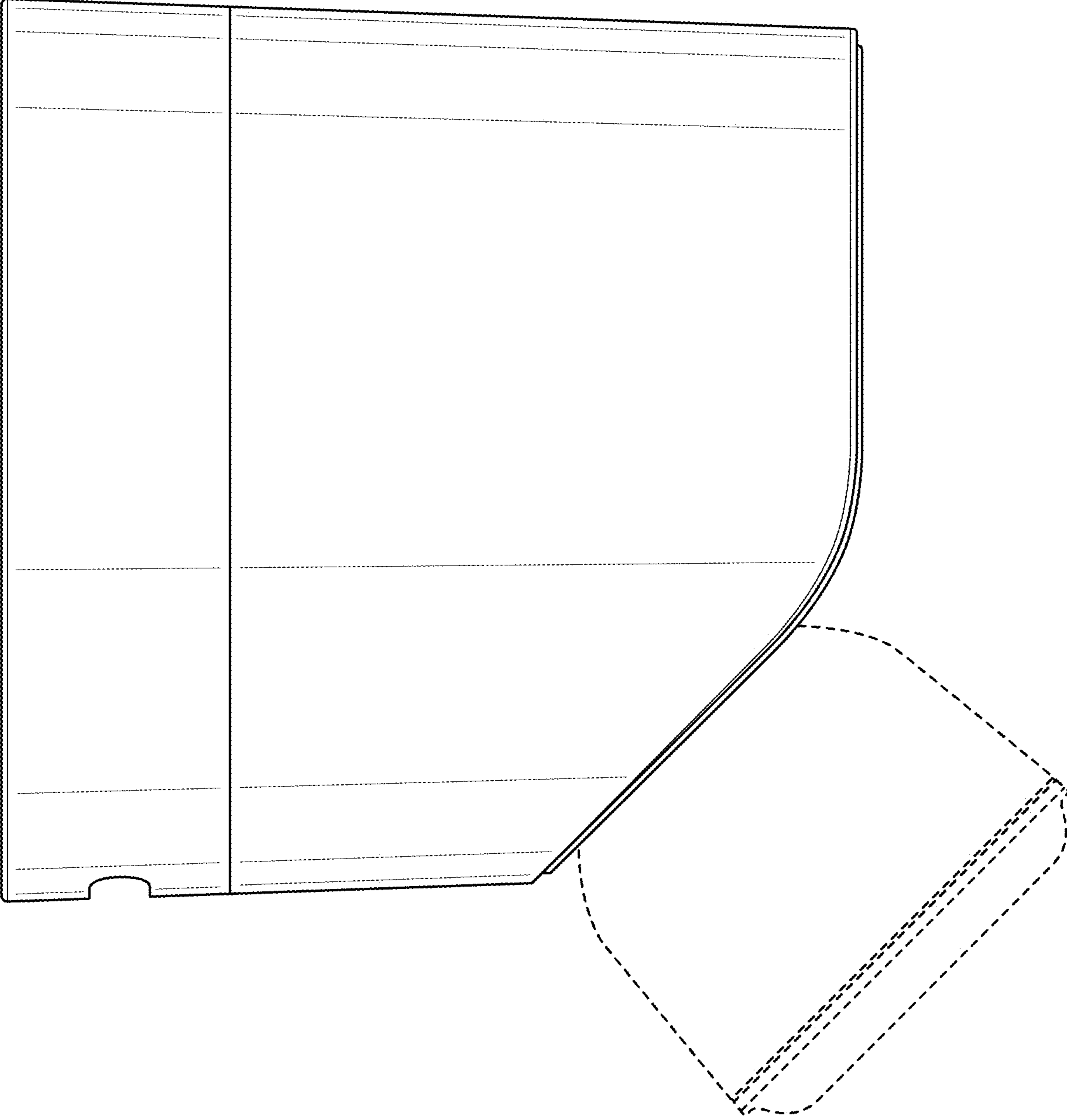


FIG. 6

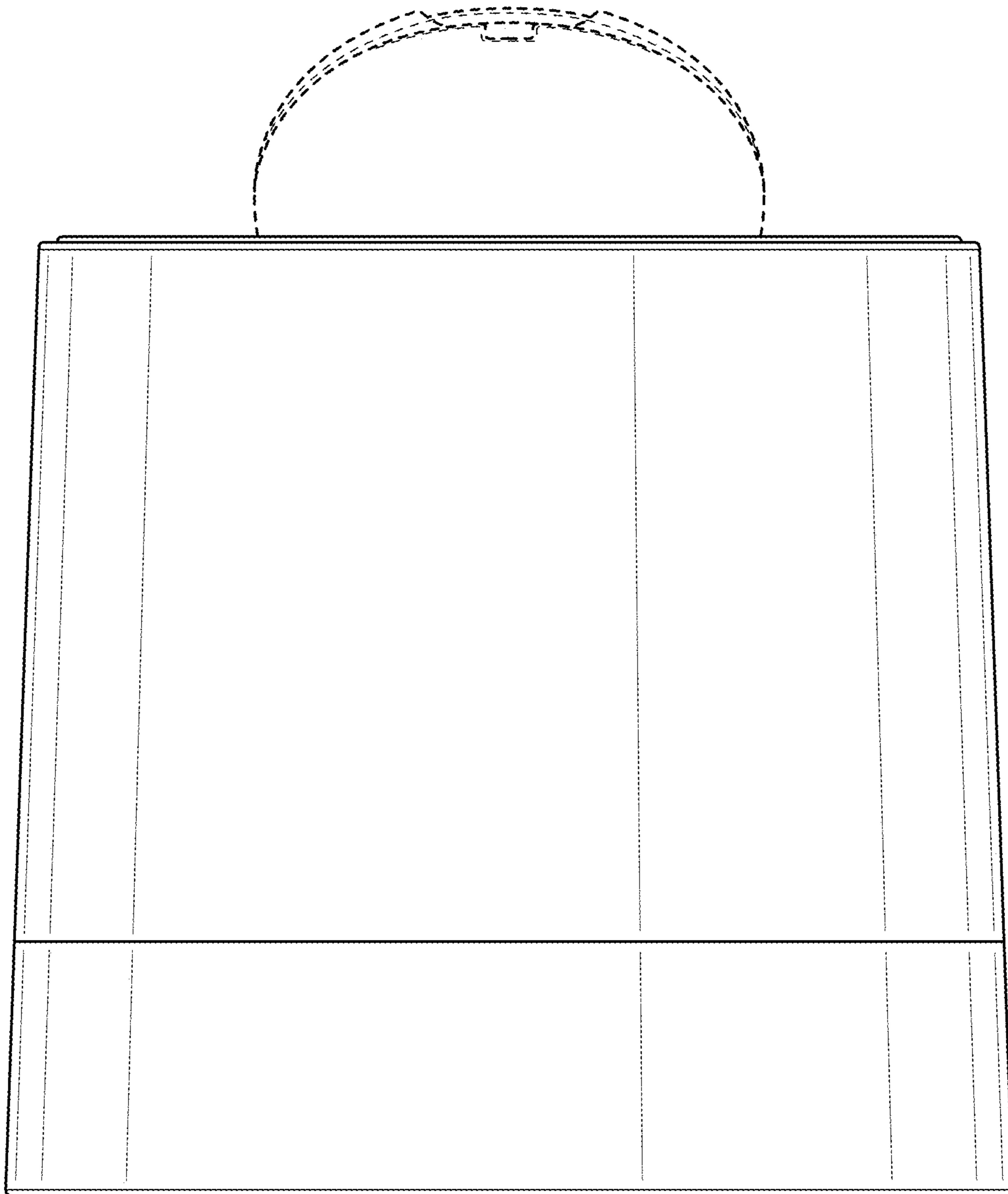


FIG. 7

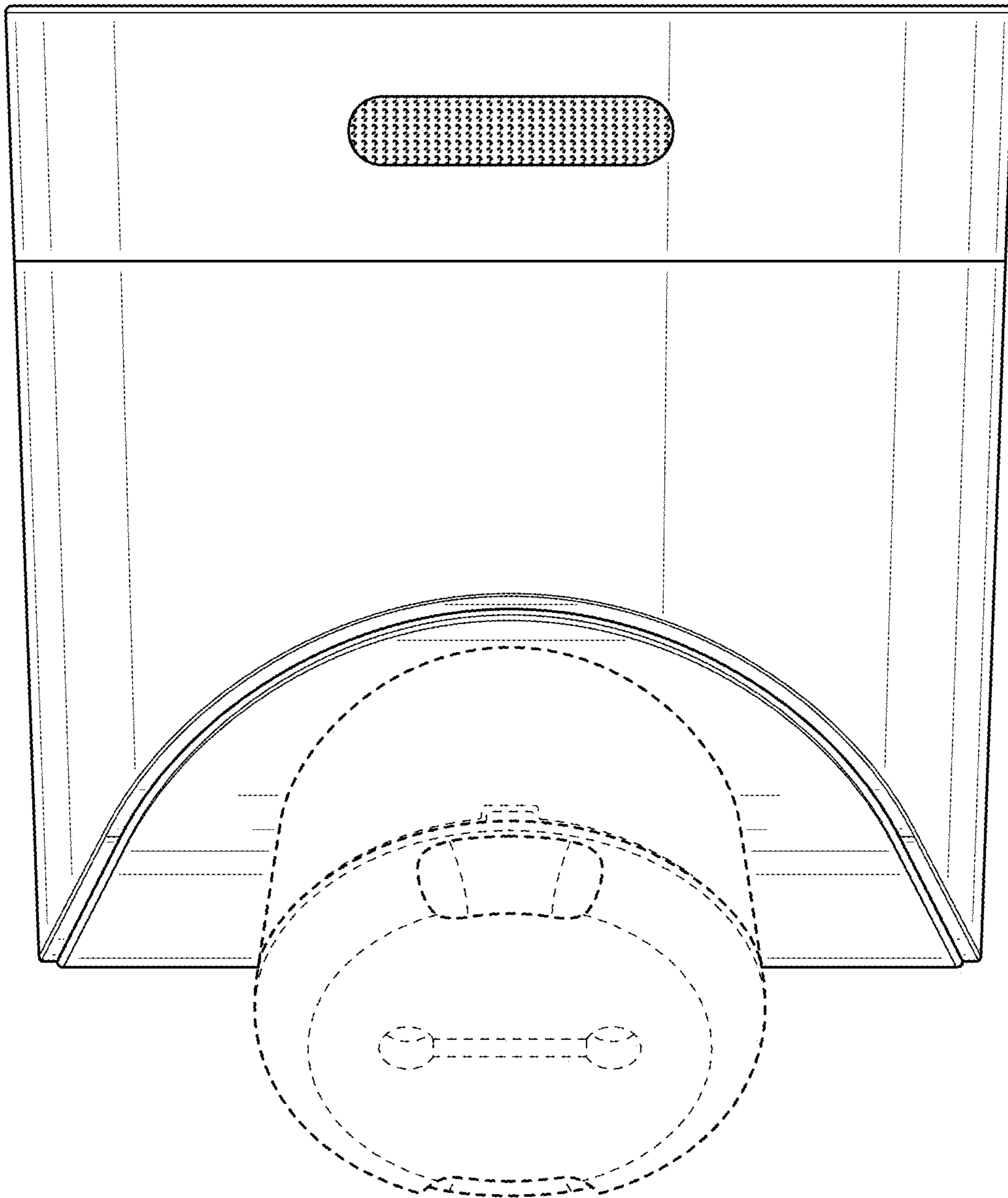


FIG. 8