



US00D970581S

(12) **United States Design Patent**
Luo

(10) **Patent No.:** **US D970,581 S**

(45) **Date of Patent:** **** Nov. 22, 2022**

(54) **CAMERA FOR VEHICLE**

(71) Applicant: **Shenzhen Baoshijie Technology Co., Ltd., Shenzhen (CN)**

(72) Inventor: **Mingcai Luo, Shenzhen (CN)**

(73) Assignee: **Shenzhen Baoshijie Technology Co., Ltd., Shenzhen (CN)**

(**) Term: **15 Years**

(21) Appl. No.: **29/832,519**

(22) Filed: **Mar. 28, 2022**

(51) **LOC (13) Cl.** **16-01**

(52) **U.S. Cl.**
USPC **D16/202**

(58) **Field of Classification Search**
USPC D16/200–203, 208–214; D10/46, 50, 52,
D10/104.1, 106.6; D14/125, 203.1,
D14/203.8, 209.1, 204, 317, 474, 496,
D14/506, 510
CPC G03B 17/00; G03B 17/02; G03B 2217/00;
H04N 5/2251; H04N 5/2252; H04N
5/225

See application file for complete search history.

(56) **References Cited**

U.S. PATENT DOCUMENTS

D505,146 S *	5/2005	Ou	D16/202
D644,259 S *	8/2011	Barley	D16/203
D753,750 S *	4/2016	Coward	D16/202
D760,311 S *	6/2016	Cho	D16/218
D819,107 S *	5/2018	Lu	D16/203
D858,620 S *	9/2019	Fidler	D16/242
D865,835 S *	11/2019	Fidler	D16/202
D898,798 S *	10/2020	Xiong	D16/202
D904,487 S	12/2020	Xiong	
D905,781 S *	12/2020	Liu	D16/218
D907,098 S	1/2021	Xiong	
D909,451 S *	2/2021	Hamlin	D16/208

D914,791 S *	3/2021	Sickler	D16/208
D922,470 S *	6/2021	Wang	D16/208
D948,593 S *	4/2022	Luo	D16/208
2017/0057423 A1 *	3/2017	Wang	H04N 5/2251

FOREIGN PATENT DOCUMENTS

CN	304073764	*	3/2017
CN	304483236	*	1/2018
CN	304747544	*	7/2018

OTHER PUBLICATIONS

“ZEROXCLUB Digital Wireless Backup Camera System Kit, IP69 Waterproof Wireless Rear View Camera + 7" LCD Wireless Reverse Monitor for RV/Truck/Trailer/Bus/Camper/5th Wheel (W01-7 inch)” from Amazon.com, first available Jul. 9, 2018 from the internet <<https://www.amazon.com/dp/B0773HXB23?tag=cnet-buy-button-20&ascsubtag=f40c8ad618e04f9289ee74d70e3de5c5%7C067300ee-f125-4e3b-b4be-5fc63d3befef%7Cdtp&th=1>> (Year: 2018).*

(Continued)

Primary Examiner — Elizabeth J Oswecki

Assistant Examiner — Lacey Chey Bowman

(74) *Attorney, Agent, or Firm* — True Shepherd, LLC;
Andrew Cheng

(57) **CLAIM**

The ornamental design for a camera for vehicle, as shown and described.

DESCRIPTION

FIG. 1 is a front, right and top perspective view of a camera for vehicle, showing my design.

FIG. 2 is a rear, left and bottom perspective view thereof.

FIG. 3 is a front elevation view thereof.

FIG. 4 is a rear elevation view thereof.

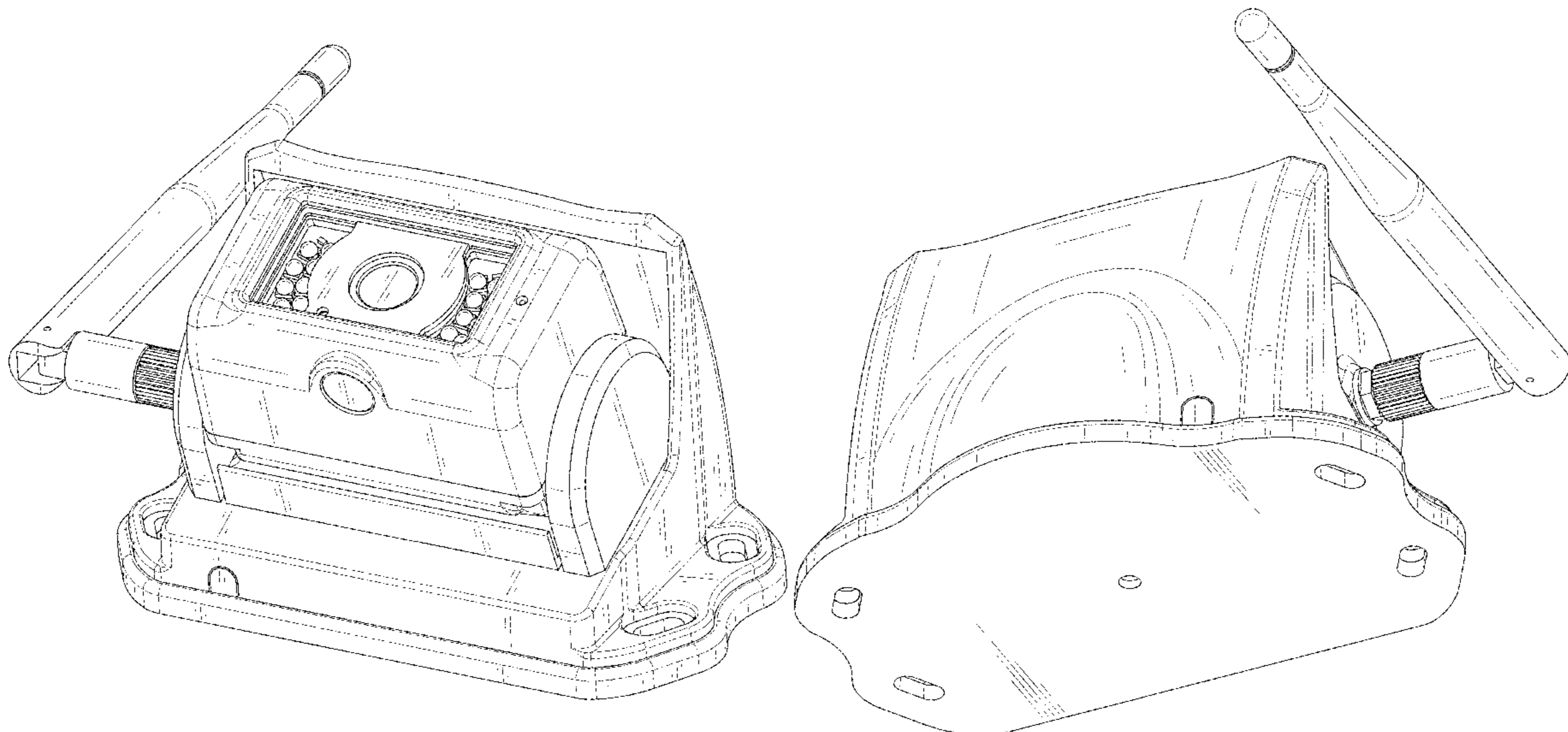
FIG. 5 is a left side elevation view thereof.

FIG. 6 is a right side elevation view thereof.

FIG. 7 is a top plan view thereof; and,

FIG. 8 is a bottom plan view thereof.

1 Claim, 8 Drawing Sheets



(56)

References Cited

OTHER PUBLICATIONS

“Magnetic Wireless Backup Camera—LASTBUS Rechargeable Magnetic WiFi Backup Camera for Easy Hitching Gooseneck Horse Boat Travel Trailer Fifth Wheels RV Camper for iPhone iPad Android, Easy to Install” from Amazon.com, first available Dec. 3, 2020 from the internet <<https://www.amazon.com/dp/B08PKLXW6C?tag=caraudionow-20&linkCode=ogi&th=1&psc=1>> (Year: 2020).*

* cited by examiner

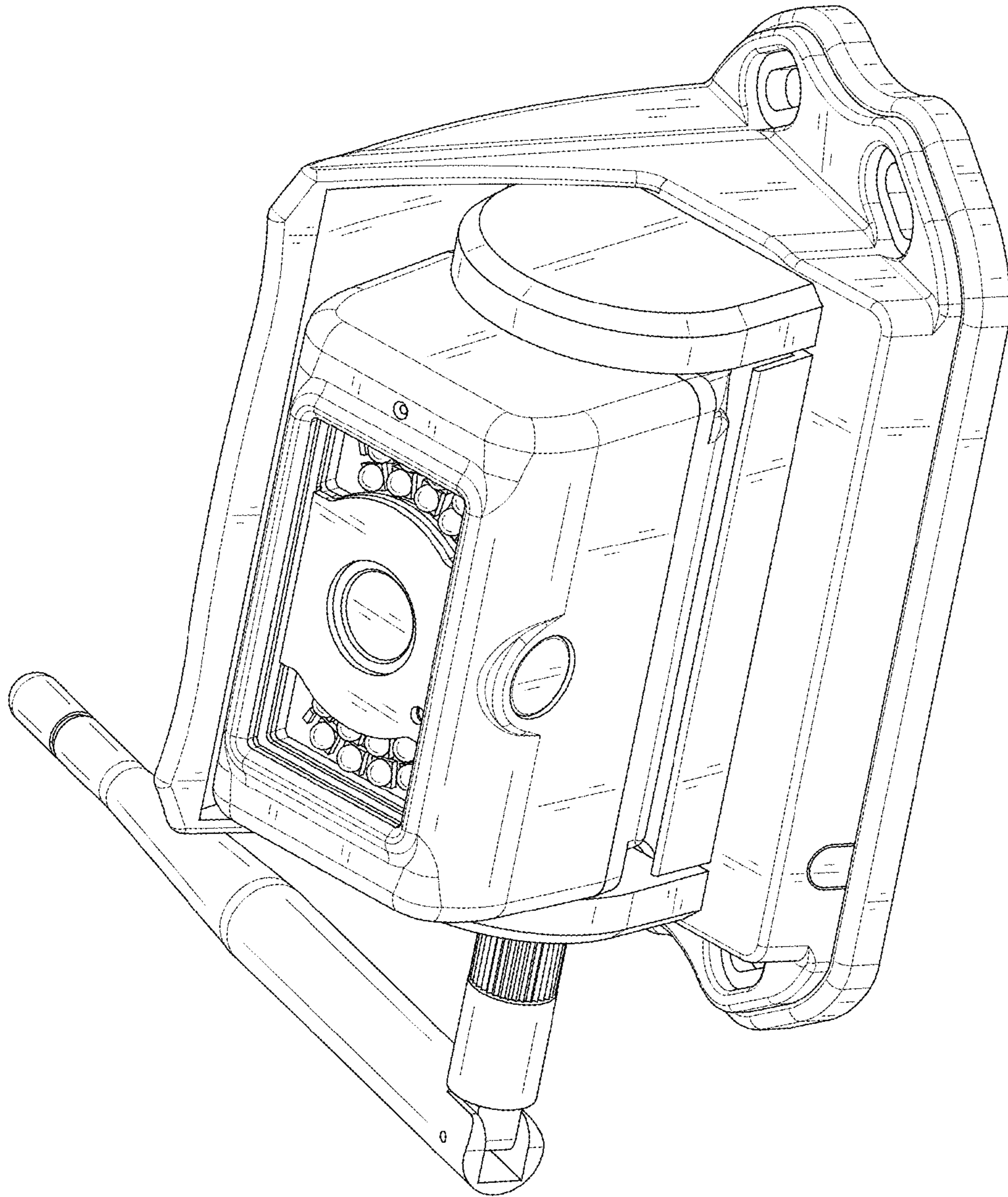


FIG. 1

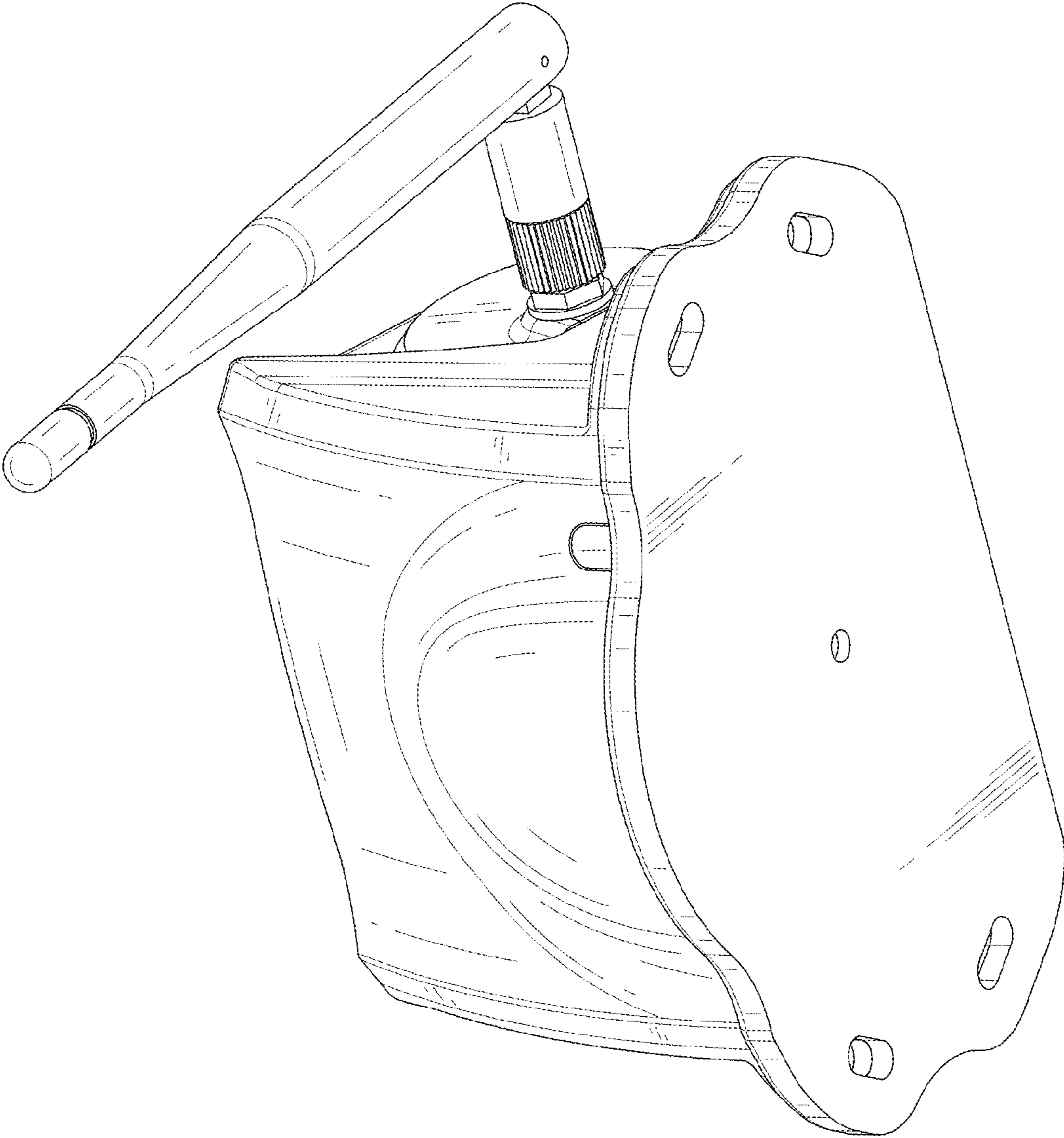


FIG.2

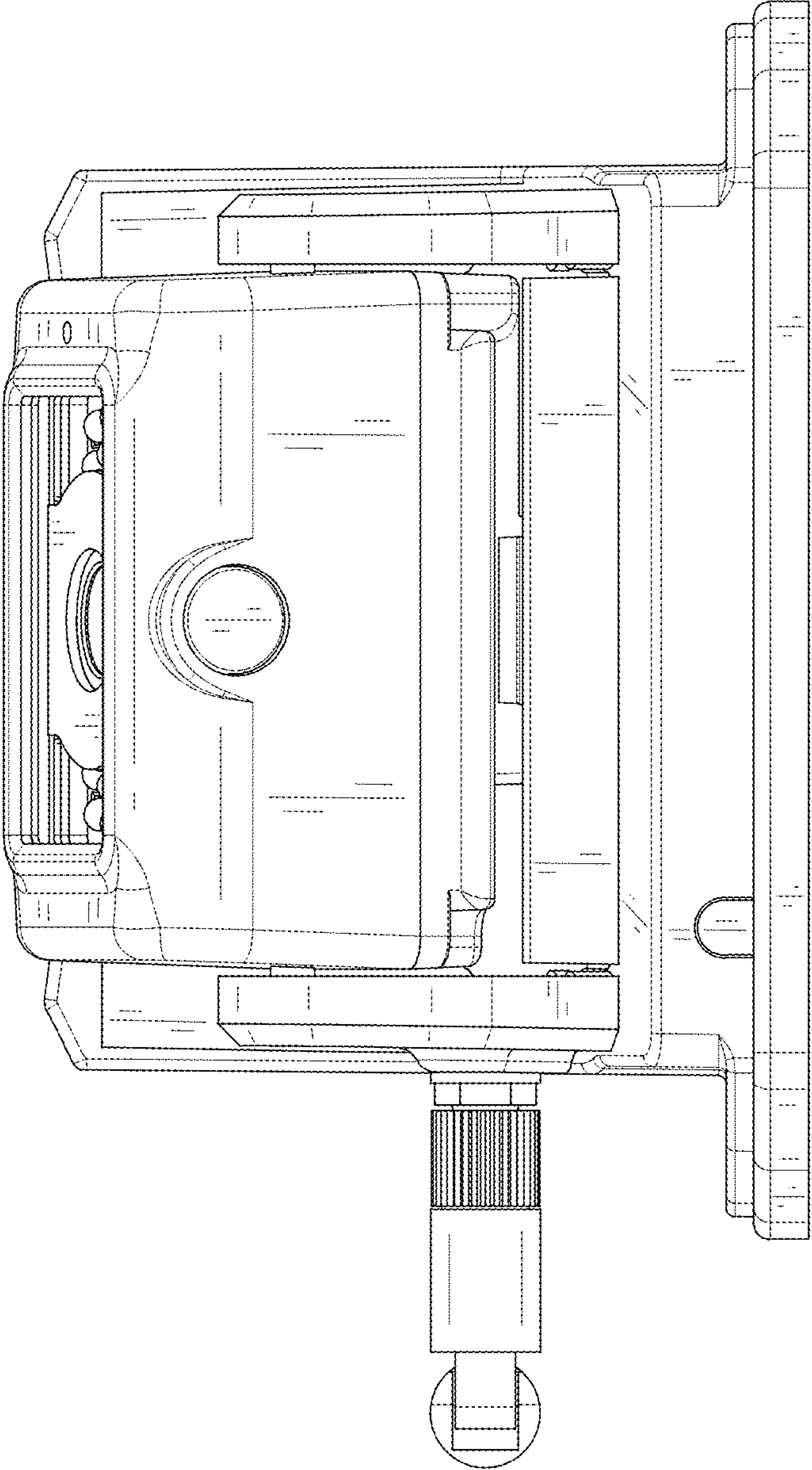


FIG. 3

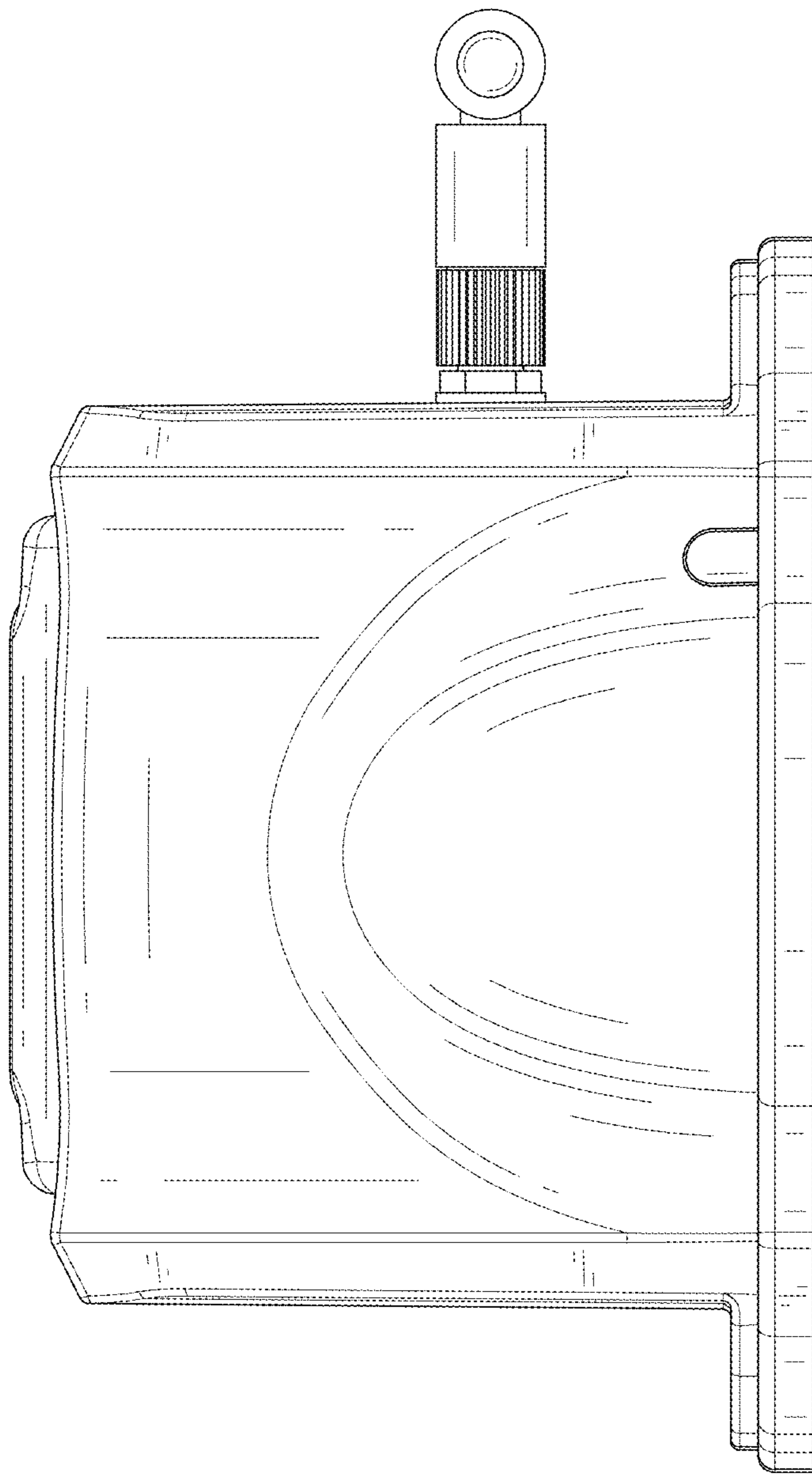


FIG. 4

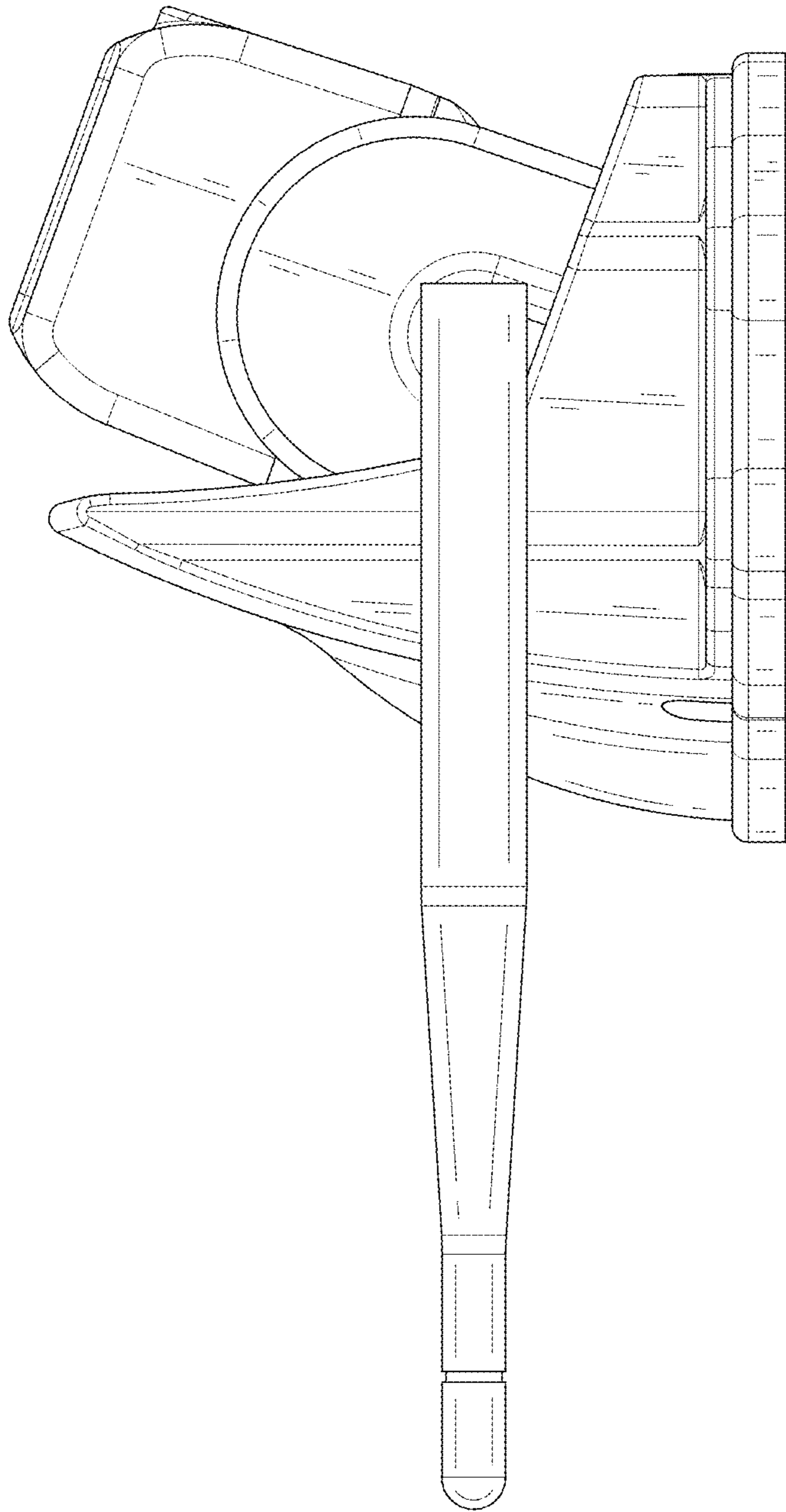


FIG. 5

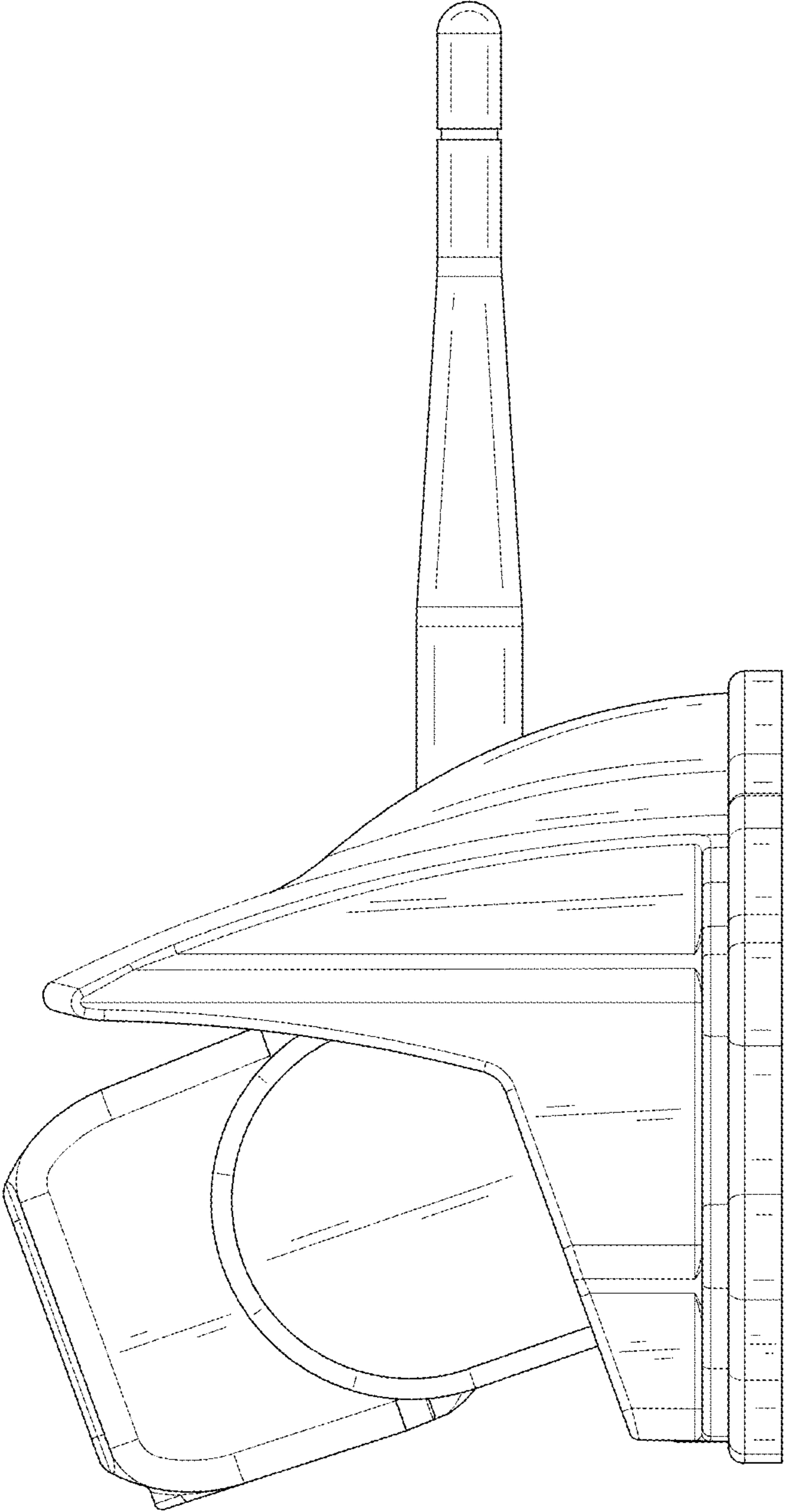


FIG. 6

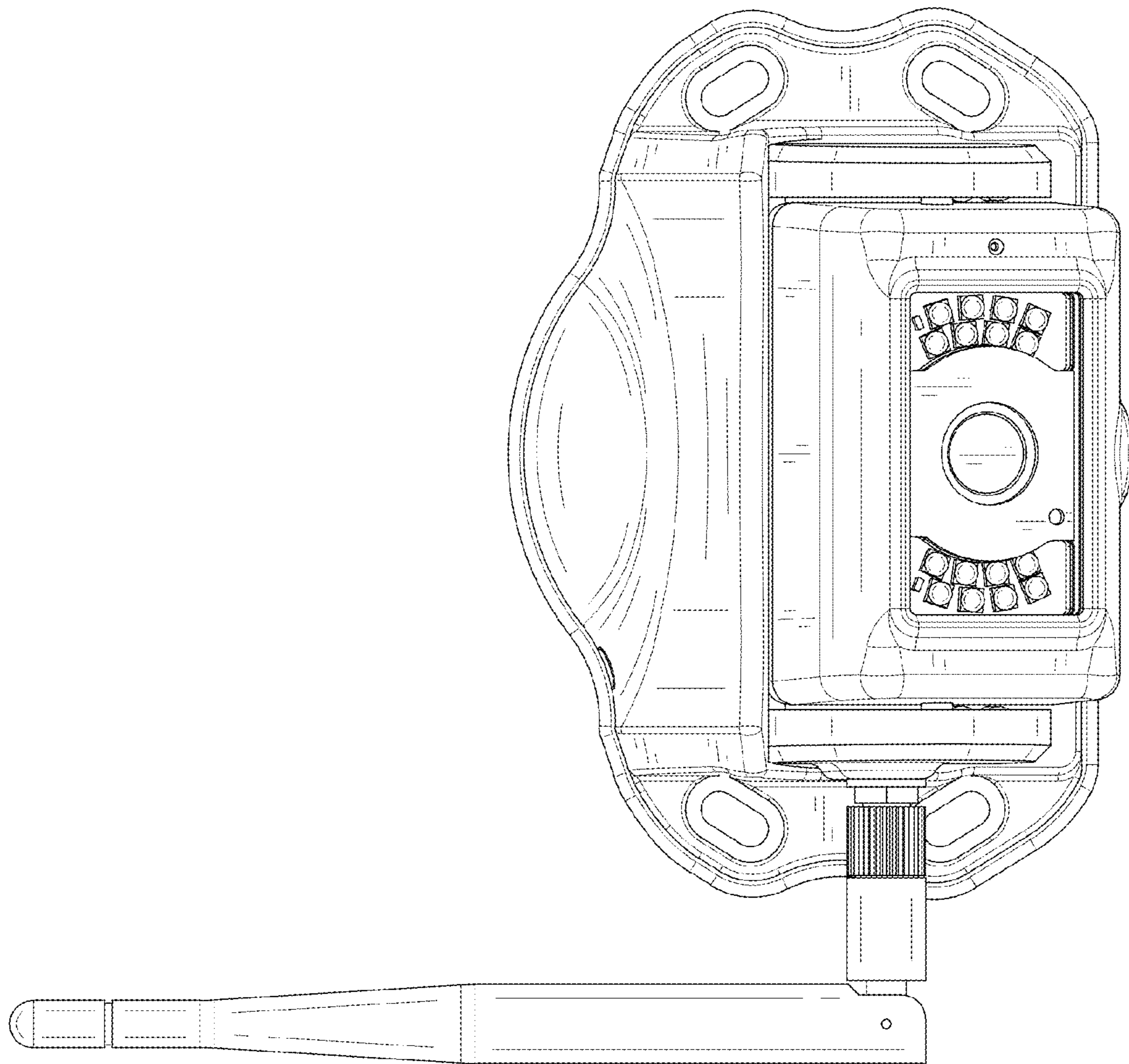


FIG.7

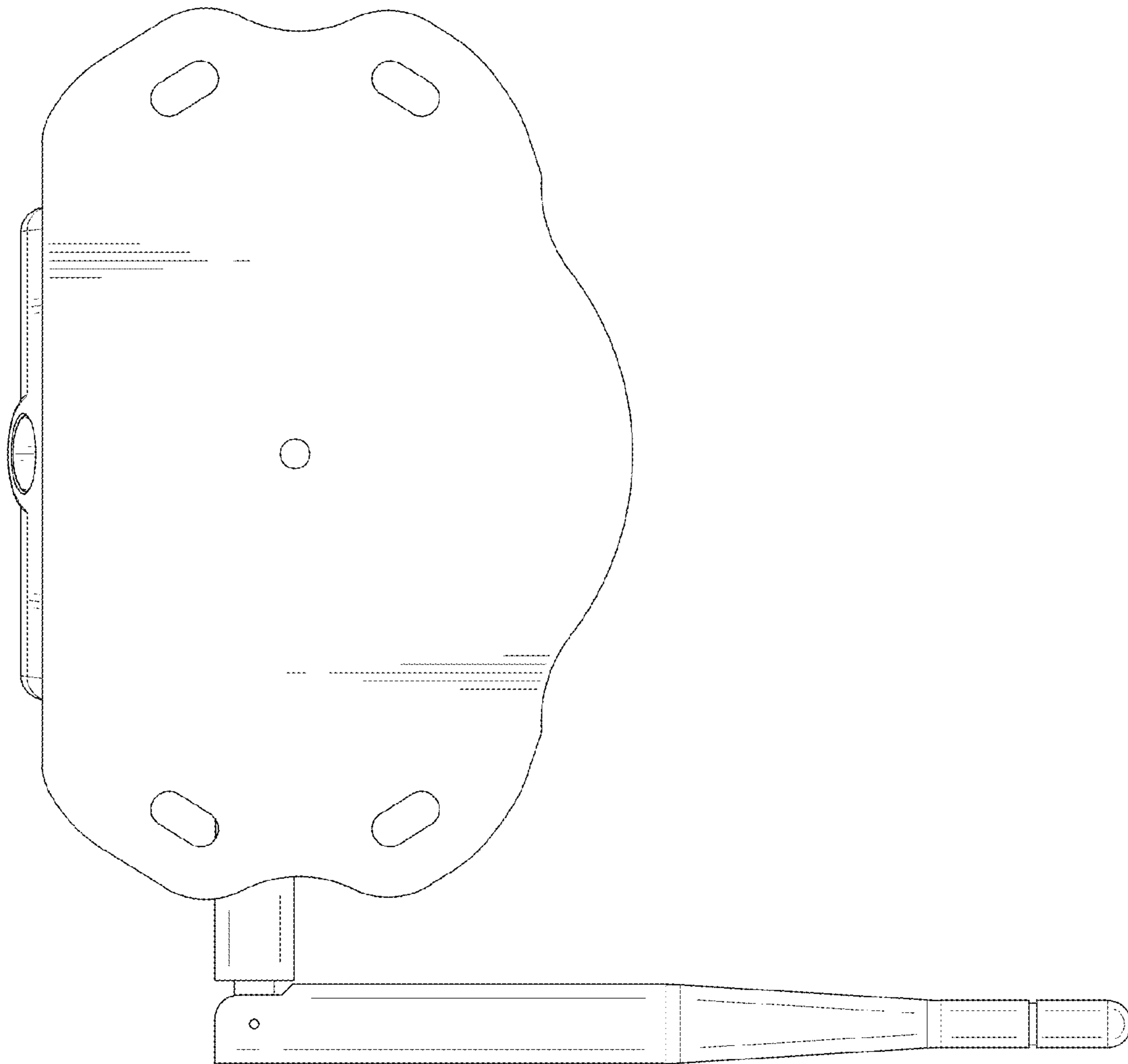


FIG. 8