



US00D970579S

(12) **United States Design Patent**  
**Chu**

(10) **Patent No.:** **US D970,579 S**

(45) **Date of Patent:** **\*\* Nov. 22, 2022**

(54) **CONTAINER WITH LENS FOR OBSERVING CONTENTS THEREIN**

(71) Applicant: **CHU'S CO., LTD.**, Taipei (TW)

(72) Inventor: **Han-Hsuan Chu**, Taipei (TW)

(73) Assignee: **CHU'S CO., LTD.**, Taipei (TW)

(\*\*) Term: **15 Years**

(21) Appl. No.: **29/767,673**

(22) Filed: **Jan. 25, 2021**

(51) **LOC (13) Cl.** ..... **16-06**

(52) **U.S. Cl.**  
USPC ..... **D16/135**

(58) **Field of Classification Search**  
USPC ..... D16/130, 131, 132, 133, 135, 136, 200,  
D16/202, 203, 219, 230  
CPC .. F41G 1/38; G02B 7/00; G02B 25/00; G02B  
25/02  
See application file for complete search history.

(56) **References Cited**

**U.S. PATENT DOCUMENTS**

D192,043 S \* 1/1962 Bordinat ..... D26/123  
D494,610 S \* 8/2004 Allen ..... D16/135  
D622,899 S \* 8/2010 Chen ..... D26/124

D803,287 S \* 11/2017 Whetsel ..... D16/135  
D839,943 S \* 2/2019 Geller ..... D16/131  
D840,457 S \* 2/2019 Geller ..... D16/131  
D840,458 S \* 2/2019 Geller ..... D16/131  
D898,094 S \* 10/2020 Kwon ..... D16/135  
2020/0386980 A1\* 12/2020 Hoeltzel ..... G02B 7/182  
2022/0066192 A1\* 3/2022 Xiong ..... F41G 1/38

\* cited by examiner

*Primary Examiner* — Richard Kearney

*Assistant Examiner* — Benjamin M Weeks

(74) *Attorney, Agent, or Firm* — Muncy, Geissler, Olds & Lowe, P.C.

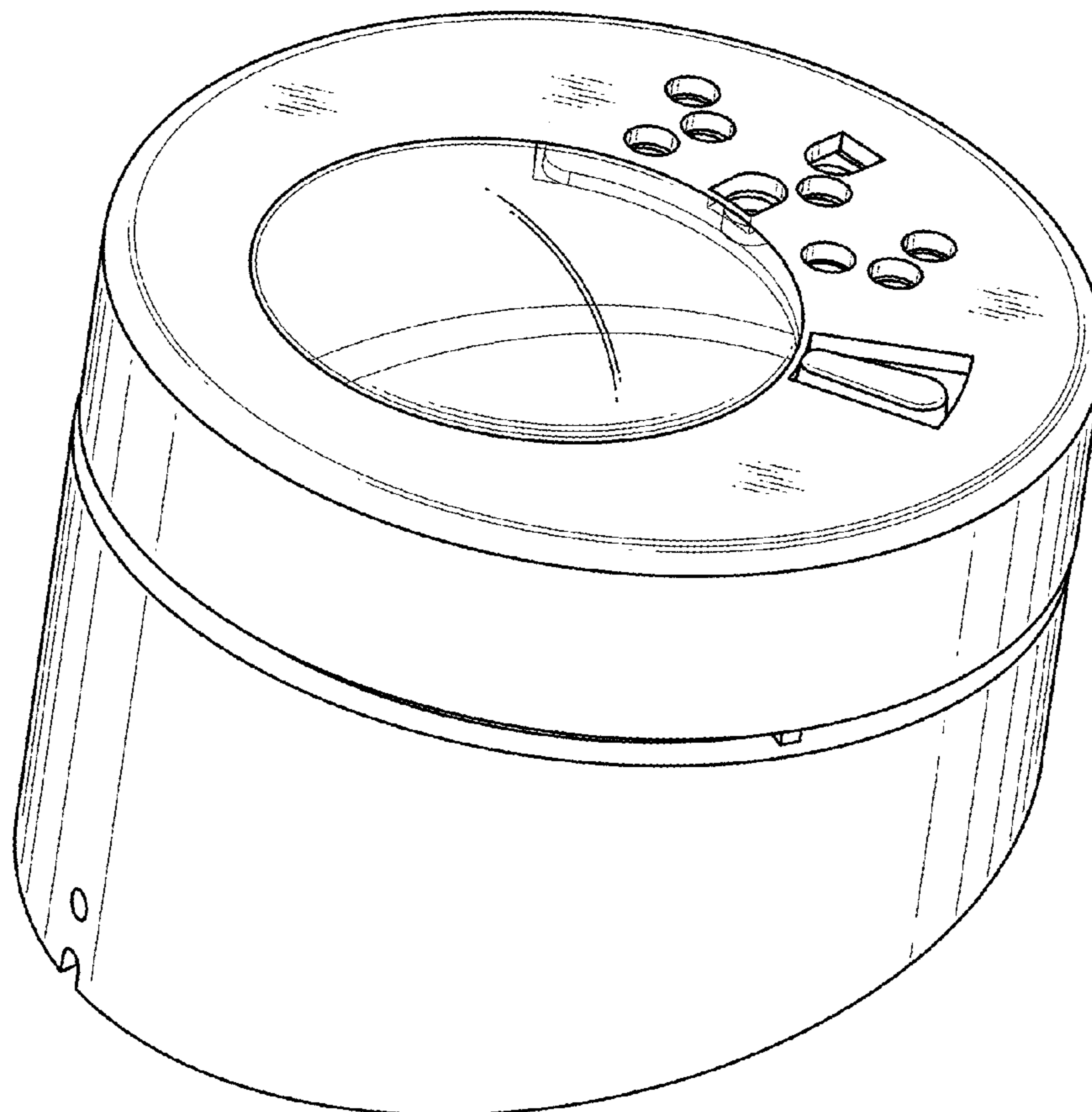
(57) **CLAIM**

The design for the container with lens for observing contents therein, as shown and described.

**DESCRIPTION**

FIG. 1 is a front perspective view of a container with lens for observing contents therein showing my new design; FIG. 2 is a front view thereof; FIG. 3 is a rear view thereof; FIG. 4 is a left side view thereof; FIG. 5 is a right side view thereof; FIG. 6 is a top plan view thereof; and, FIG. 7 is a bottom plan view thereof. The broken lines shown in the drawings illustrate portions of the article and form no part of the claimed design.

**1 Claim, 7 Drawing Sheets**



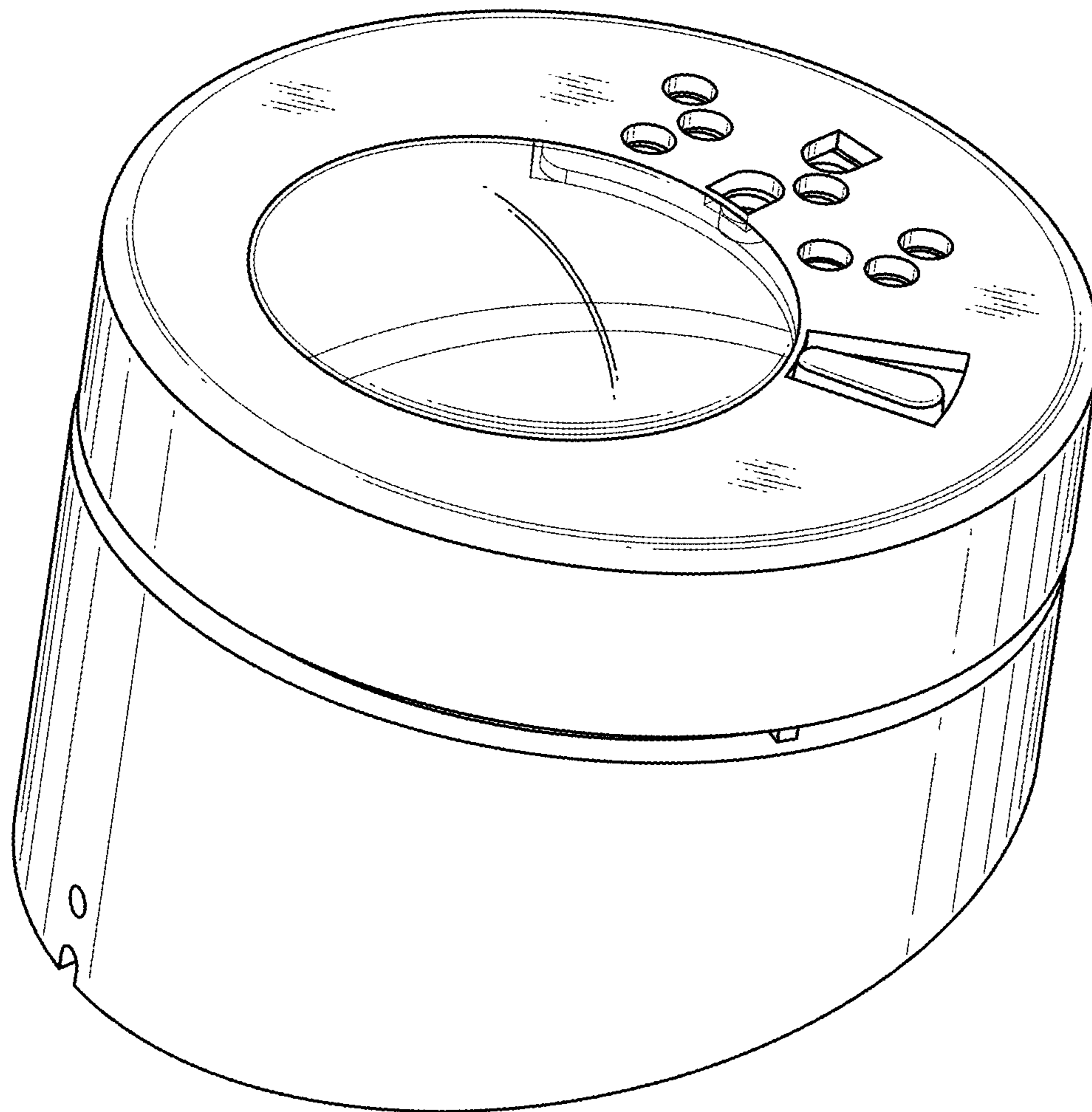


FIG. 1

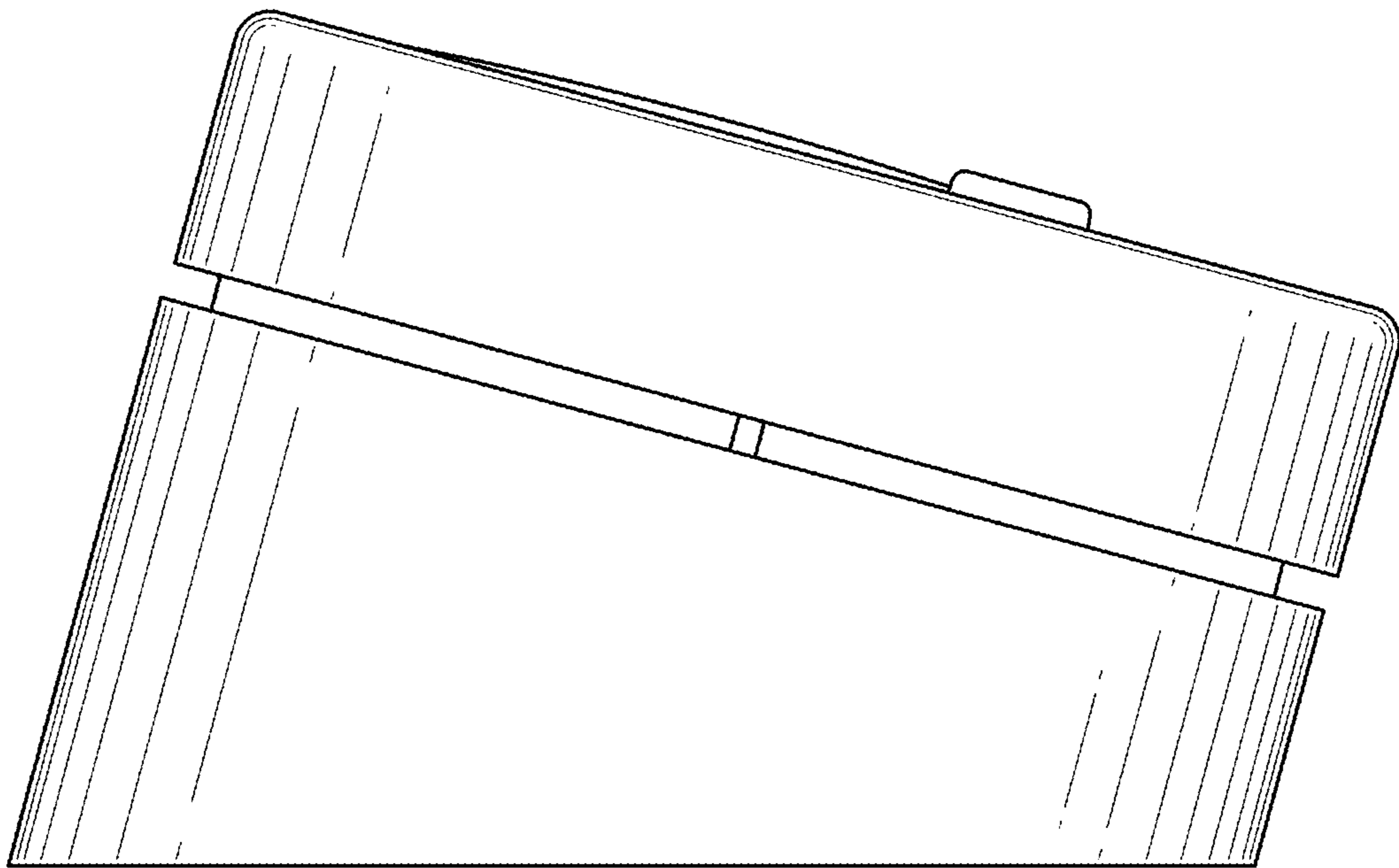


FIG. 2

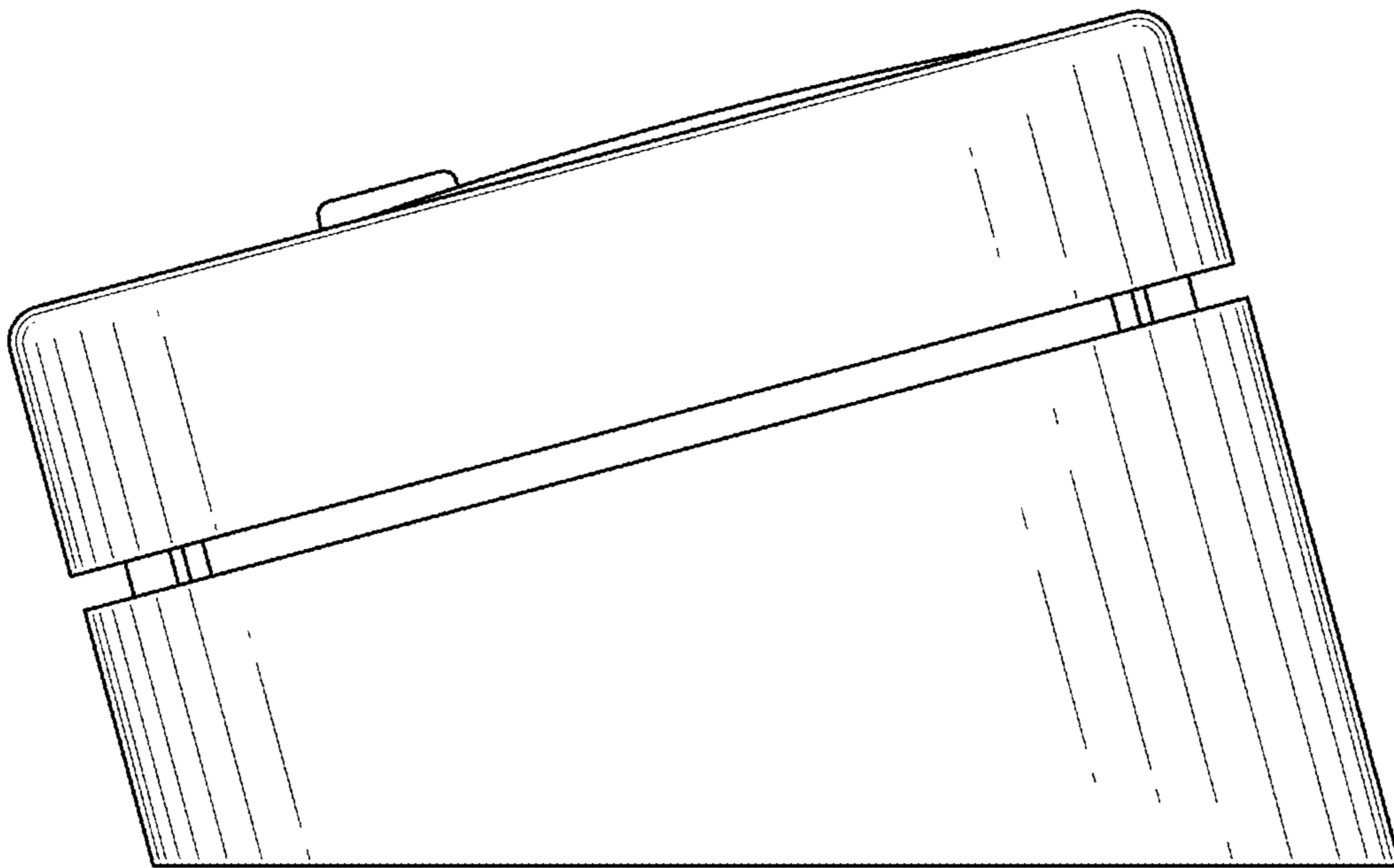


FIG. 3

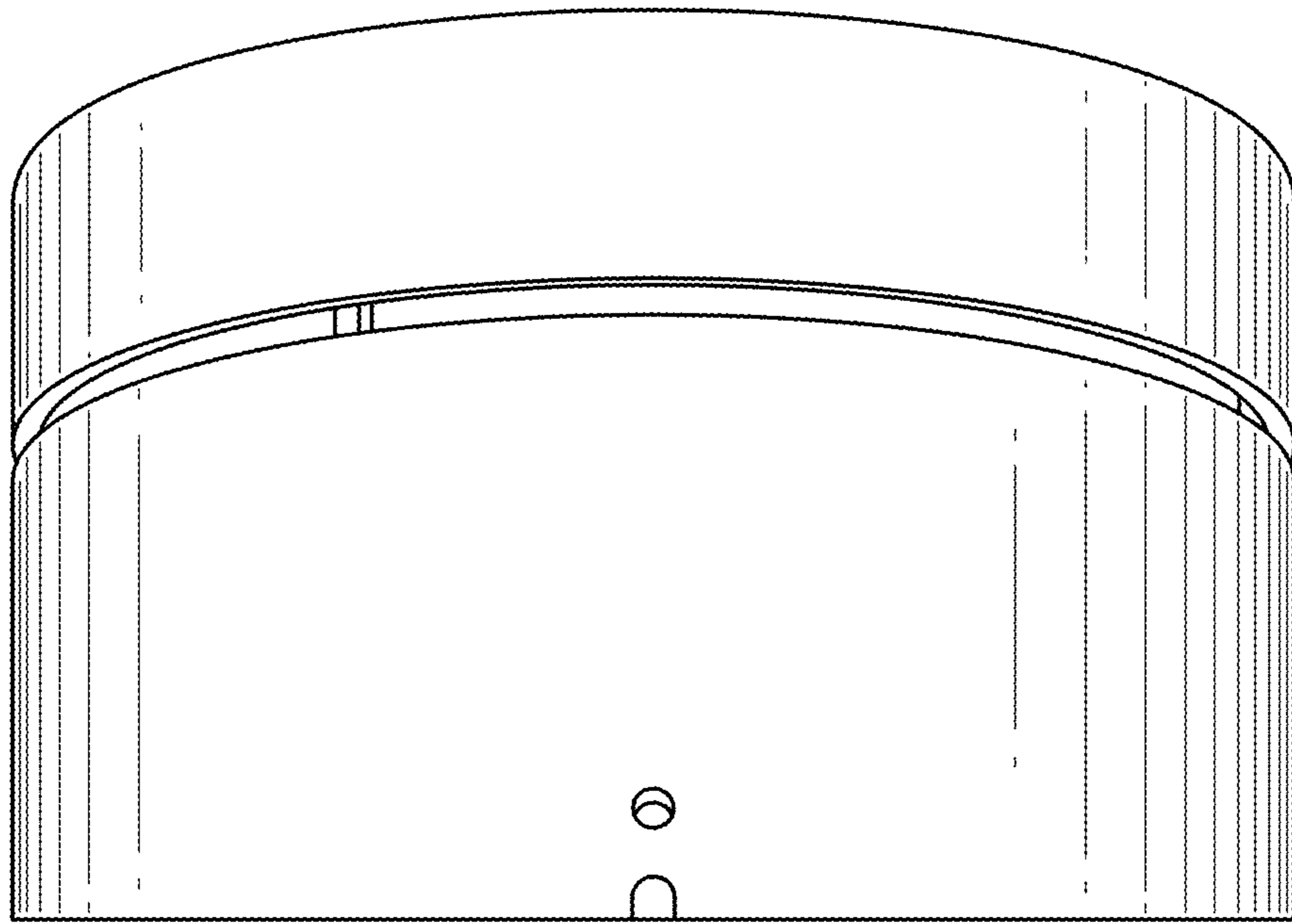


FIG. 4

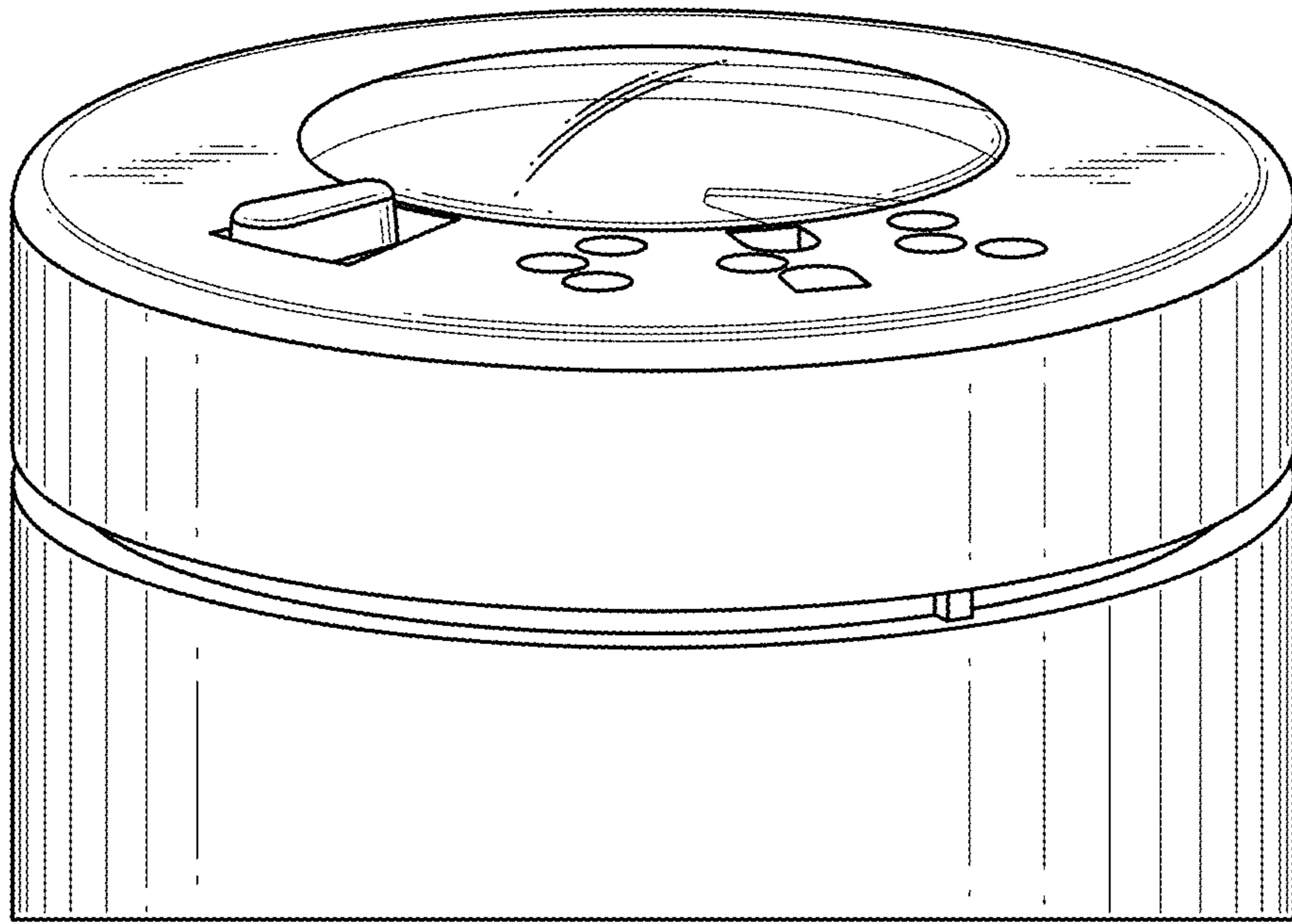


FIG. 5



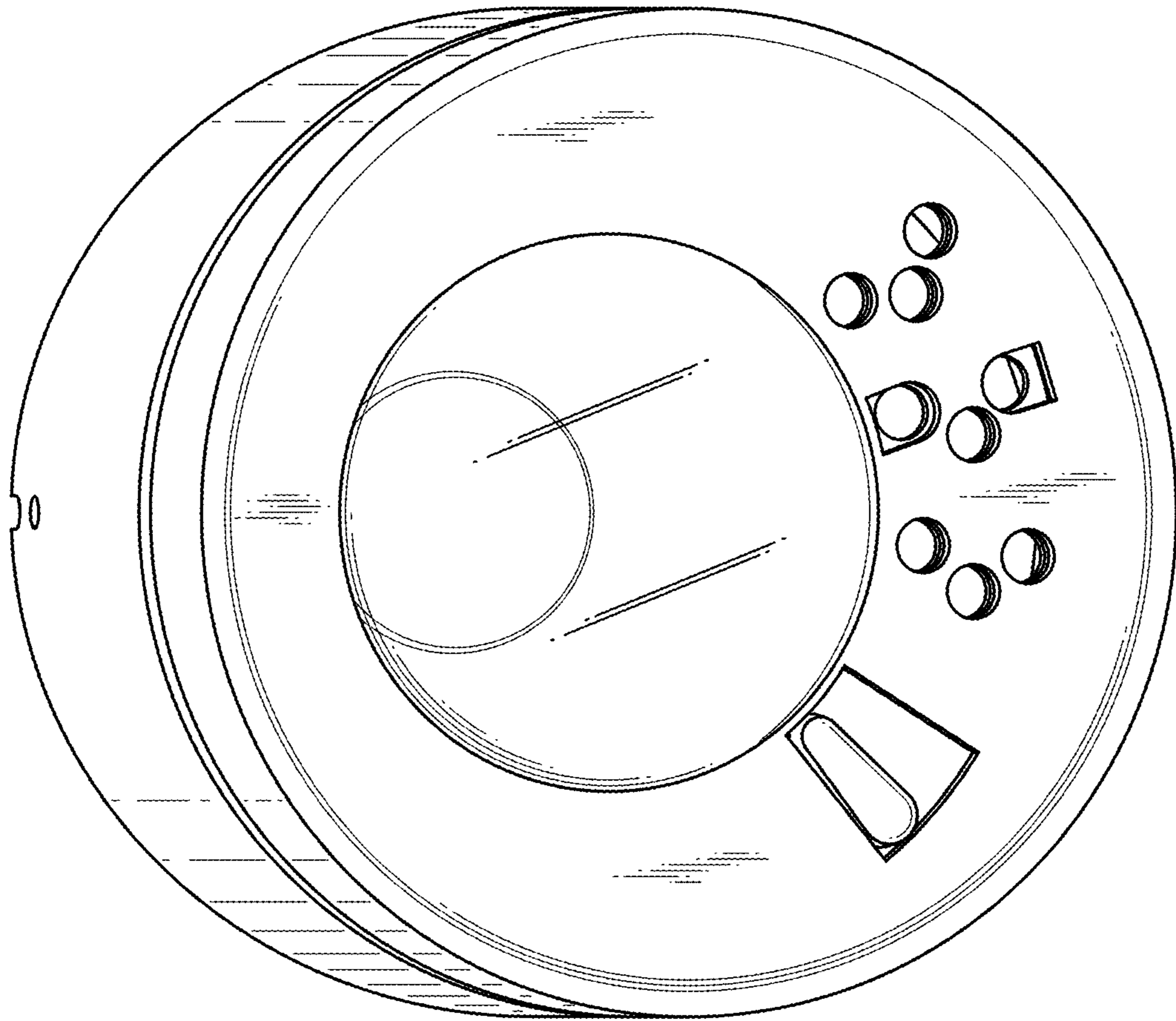


FIG. 6

