



US00D970577S

(12) **United States Design Patent** (10) **Patent No.:** **US D970,577 S**
Urruth Kemmerich (45) **Date of Patent:** **** Nov. 22, 2022**

(54) **UV-LIGHT DISINFECTION ROBOT BASE**

FOREIGN PATENT DOCUMENTS

(71) Applicant: **Blue Ocean Robotics ApS**, Odense (DK)

WO WO-2015116876 A1 * 8/2015 A61L 2/10
WO WO-2021185868 A1 * 9/2021

(72) Inventor: **Gustavo Urruth Kemmerich**, Odense (DK)

Primary Examiner — Patricia A Palasik
(74) *Attorney, Agent, or Firm* — Donald J. Lecher; Butzel Long

(73) Assignee: **Blue Ocean Robotics ApS**, Odense (DK)

(57) **CLAIM**
The ornamental design for a UV-light disinfection robot base, as shown and described.

(**) Term: **15 Years**

DESCRIPTION

(21) Appl. No.: **29/841,077**

FIG. 1 shows a top left-side front perspective view of the UV-light disinfection robot base of our new design, disclaiming a lighting tower assembly and a top optical assembly of a UV-light disinfection robot mounted on a distal end thereof;

(22) Filed: **Jun. 2, 2022**

Related U.S. Application Data

(62) Division of application No. 29/736,418, filed on May 29, 2020.

FIG. 2 shows a front elevation view thereof;
FIG. 3 shows a right-side elevation view thereof;
FIG. 4 shows a rear elevation view thereof;
FIG. 5 shows a left-side elevation view thereof;
FIG. 6 shows a top plan view thereof;

(51) **LOC (13) Cl.** **D15-99**

(52) **U.S. Cl.**
USPC **D15/199**; D34/34

(58) **Field of Classification Search**
USPC D15/199; D21/578-583, 621, 622;
D32/21; D34/34

CPC B25J 5/007; B25J 11/008; B60B 19/006;
B62D 57/024; Y10S 901/01

See application file for complete search history.

FIG. 7 shows a top right-side rear perspective view thereof;
FIG. 8 shows a bottom left-side front perspective view of the UV-light disinfection robot base, opposite that of FIG. 7, disclaiming the lighting tower assembly and the top optical assembly mounted on the distal end thereof, wherein a central region of a lower portion of the undercarriage of the UV-light disinfection robot base defined by a dash-dot-dash line is disclaimed; and,

(56) **References Cited**

U.S. PATENT DOCUMENTS

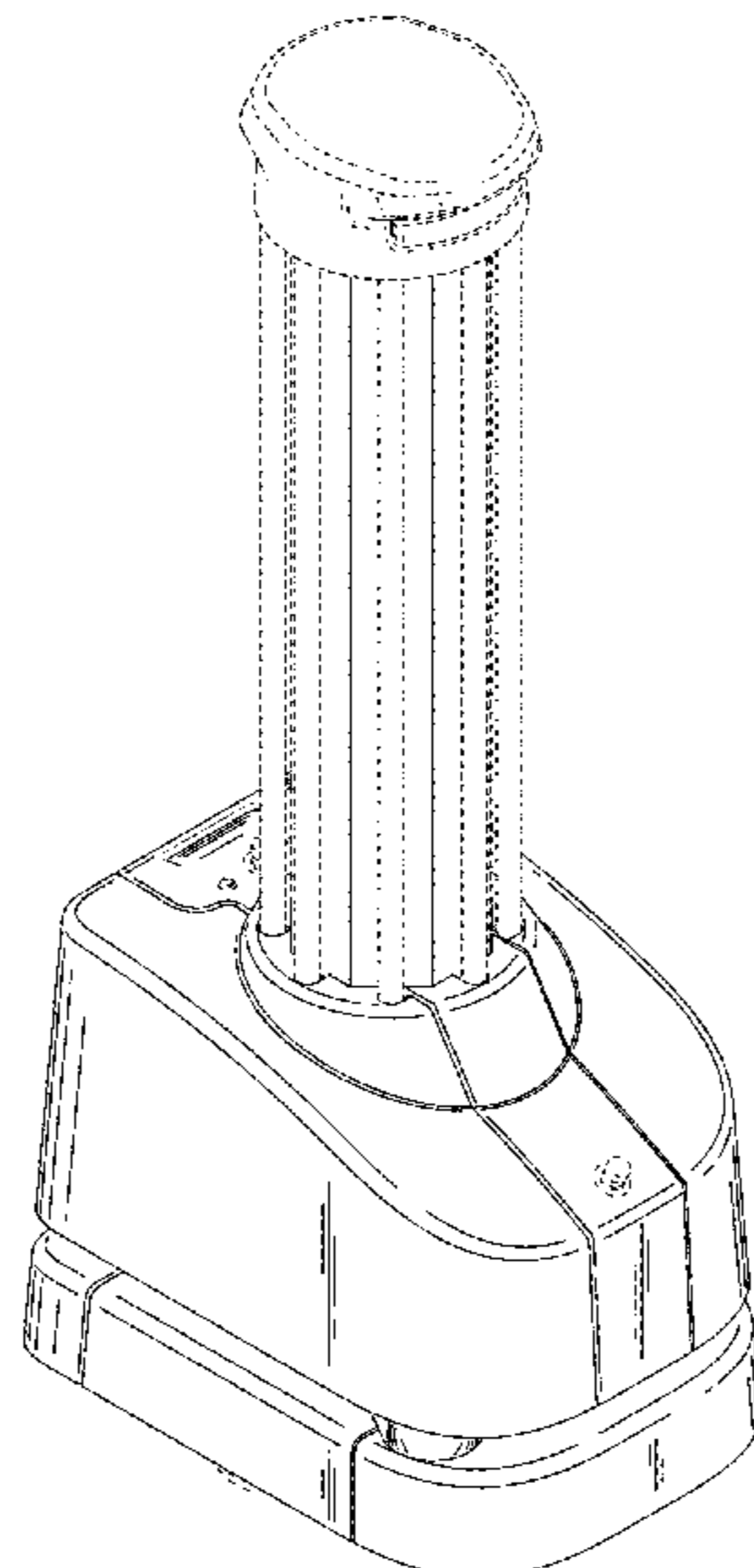
D549,756 S * 8/2007 Park D15/199
D675,656 S * 2/2013 Sutherland D15/199
D722,632 S * 2/2015 Stone D12/1
D766,644 S * 9/2016 Huang D15/199
9,776,327 B2 * 10/2017 Pinter B25J 9/1676

FIG. 9 shows a bottom right-side rear perspective view of the UV-light disinfection robot base opposite that of FIG. 1, the embodiment disclaiming the lighting tower assembly and the top optical assembly mounted on the distal end thereof, wherein a central region of a lower portion of the undercarriage of the UV-light disinfection robot base defined by a dash-dot-dash line is disclaimed.

The broken or evenly-dashed lines are included to show structure of the robot that form no part of the claimed design.

(Continued)

1 Claim, 9 Drawing Sheets



(56)

References Cited

U.S. PATENT DOCUMENTS

D810,167	S *	2/2018	Yang	D15/199
D811,458	S *	2/2018	Wang	D15/199
D817,375	S *	5/2018	Deyle	D15/199
D841,067	S *	2/2019	Camporesi	D15/199
D849,813	S *	5/2019	Sutherland	D21/578
D855,673	S *	8/2019	Sutherland	D15/199
D859,485	S *	9/2019	Sutherland	D15/199
D872,788	S *	1/2020	Sutherland	D15/199
D877,786	S *	3/2020	Gayne	D15/199
D881,249	S *	4/2020	Kim	D15/199
D894,987	S *	9/2020	Li	D15/199
D912,115	S *	3/2021	Rembisz	D15/199
D913,349	S *	3/2021	Yao	D15/199
D915,486	S *	4/2021	Gidwell	D15/199
D917,591	S *	4/2021	Xiao	D15/199
D918,978	S *	5/2021	Li	D15/199
D920,411	S *	5/2021	Zheng	D15/199
2009/0035181	A1 *	2/2009	Chung	G01N 35/04 422/68.1
2014/0074287	A1 *	3/2014	LaFary	G05B 19/4061 700/253
2015/0073589	A1 *	3/2015	Khodl	B25J 5/007 700/218
2017/0337506	A1 *	11/2017	Wise	G05B 19/418
2021/0170583	A1 *	6/2021	Edsinger	B25J 9/162
2021/0353808	A1 *	11/2021	Hung	A61L 2/10

* cited by examiner

FIG. 1

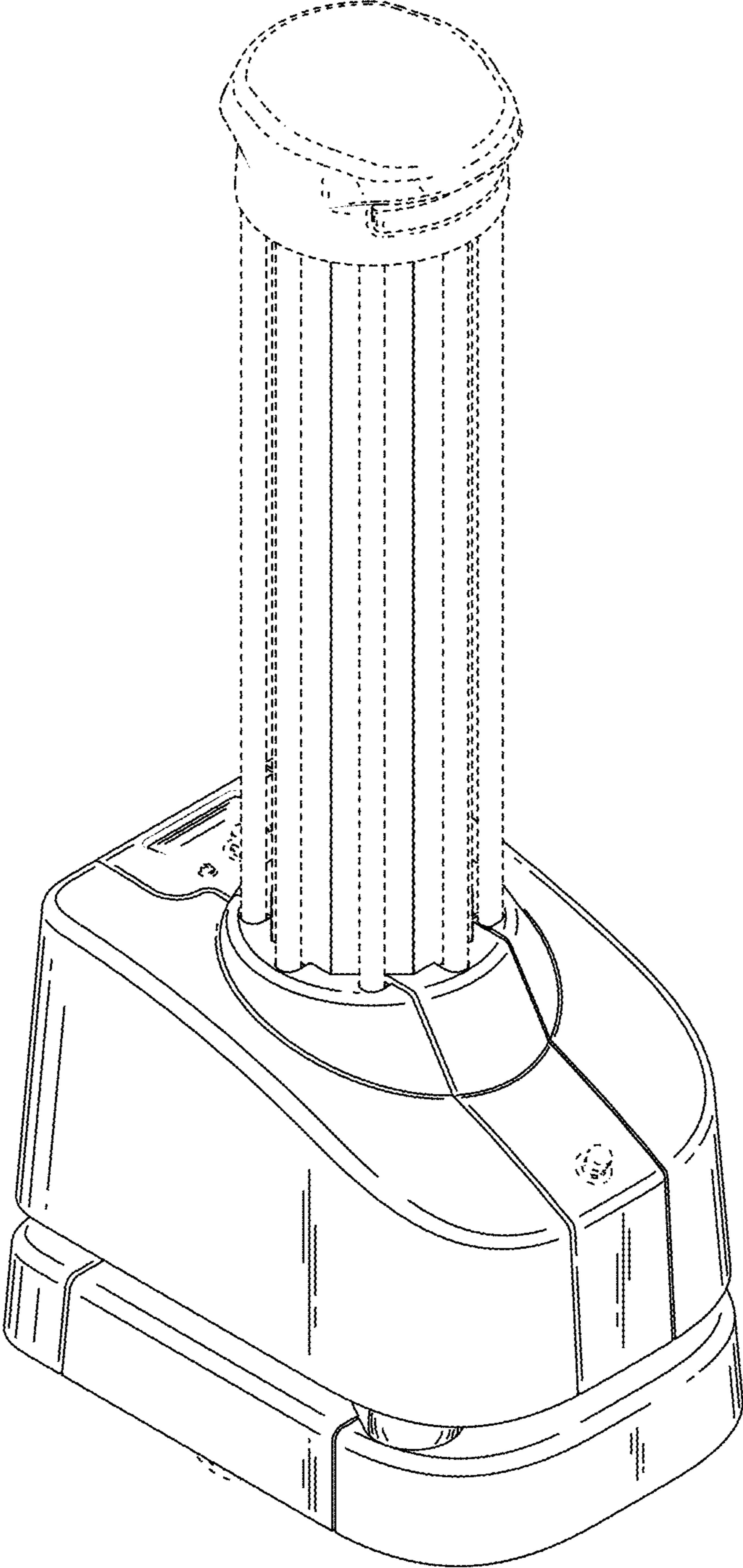


FIG. 2

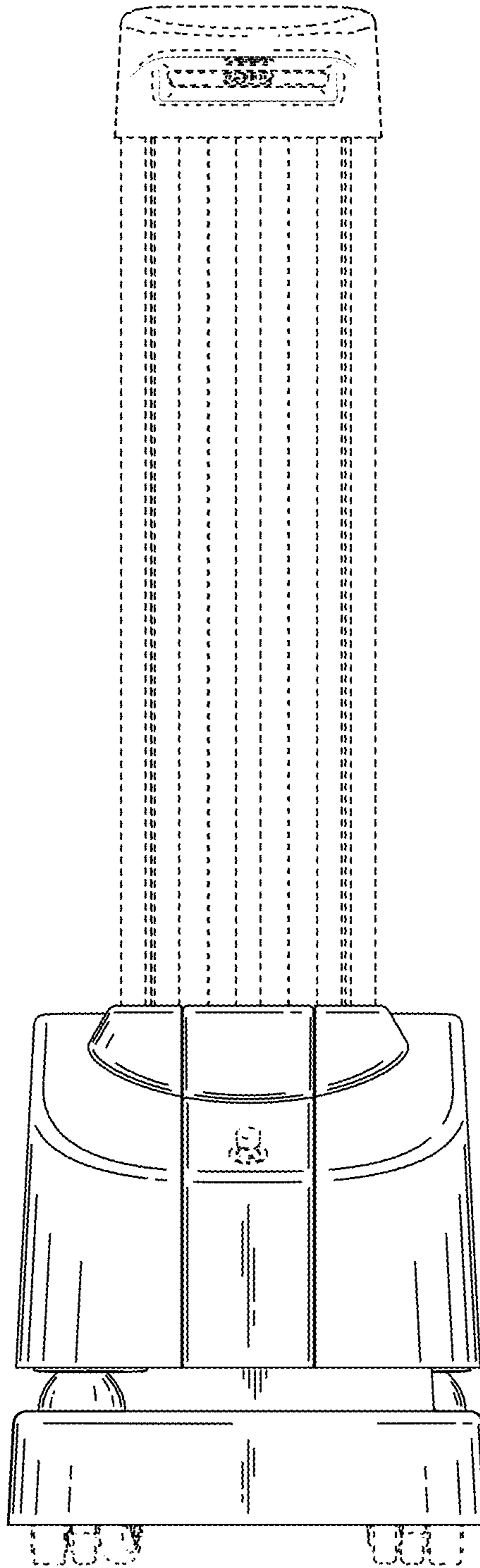


FIG. 3

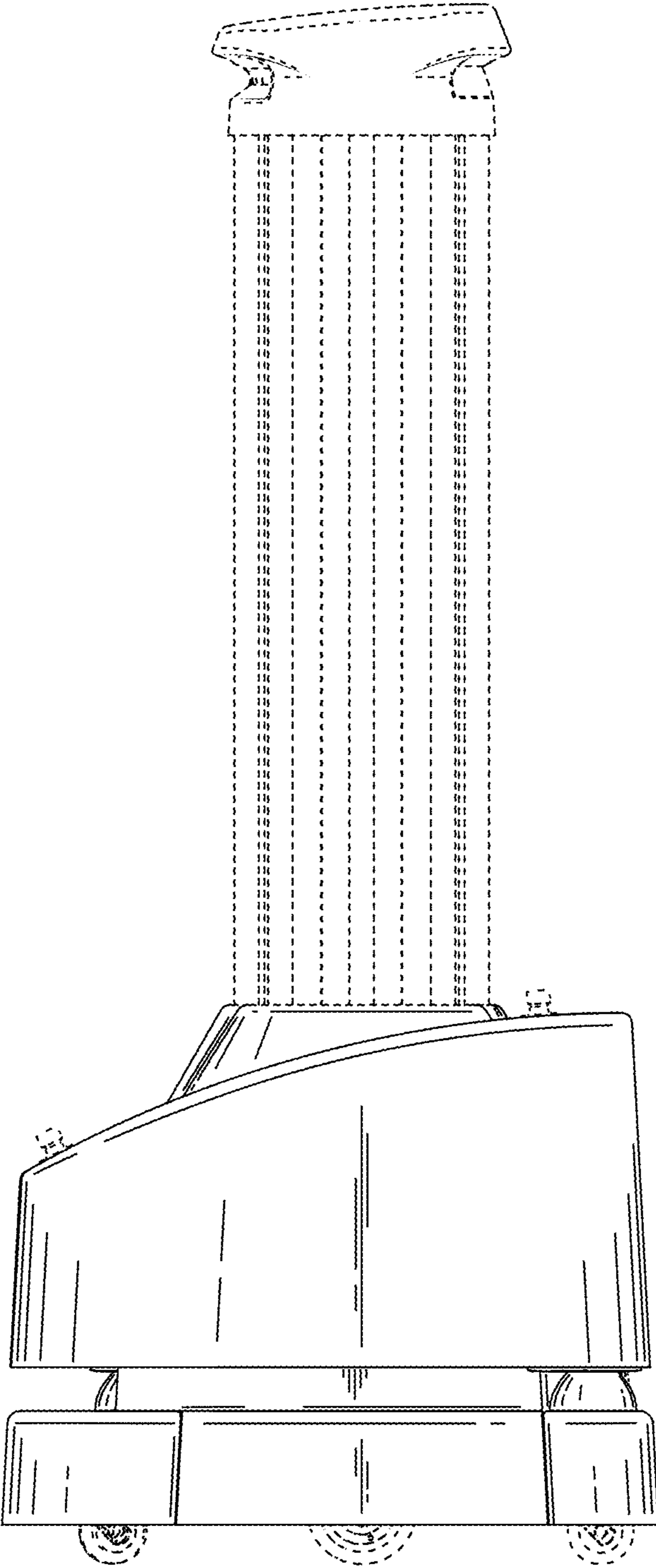


FIG. 4

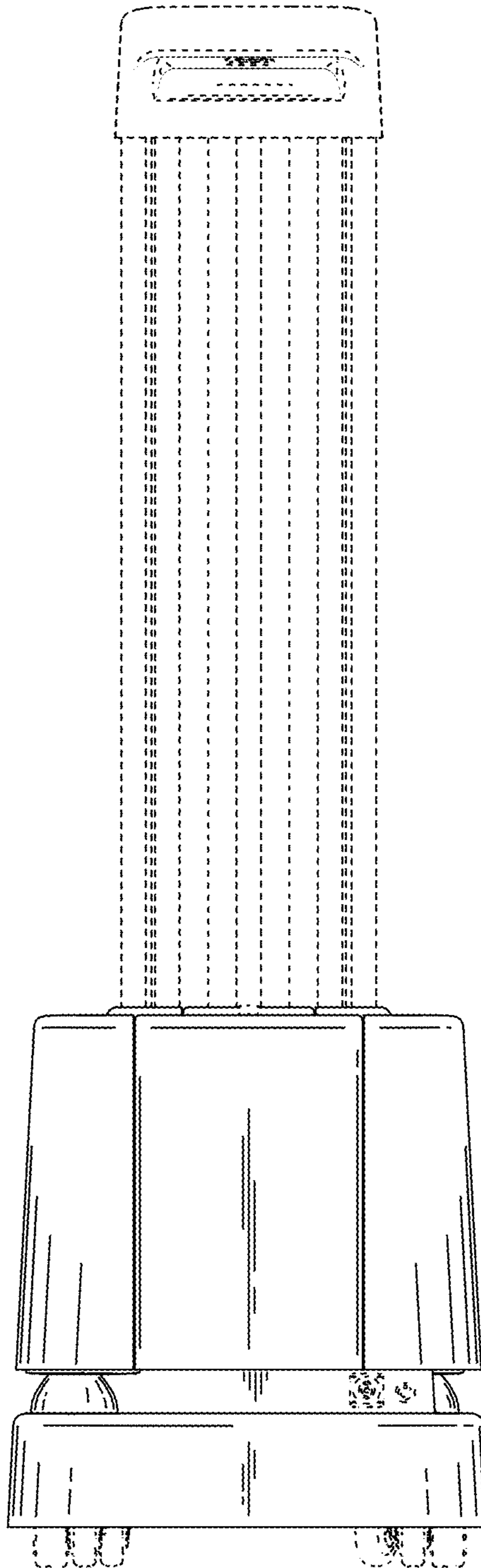


FIG. 5

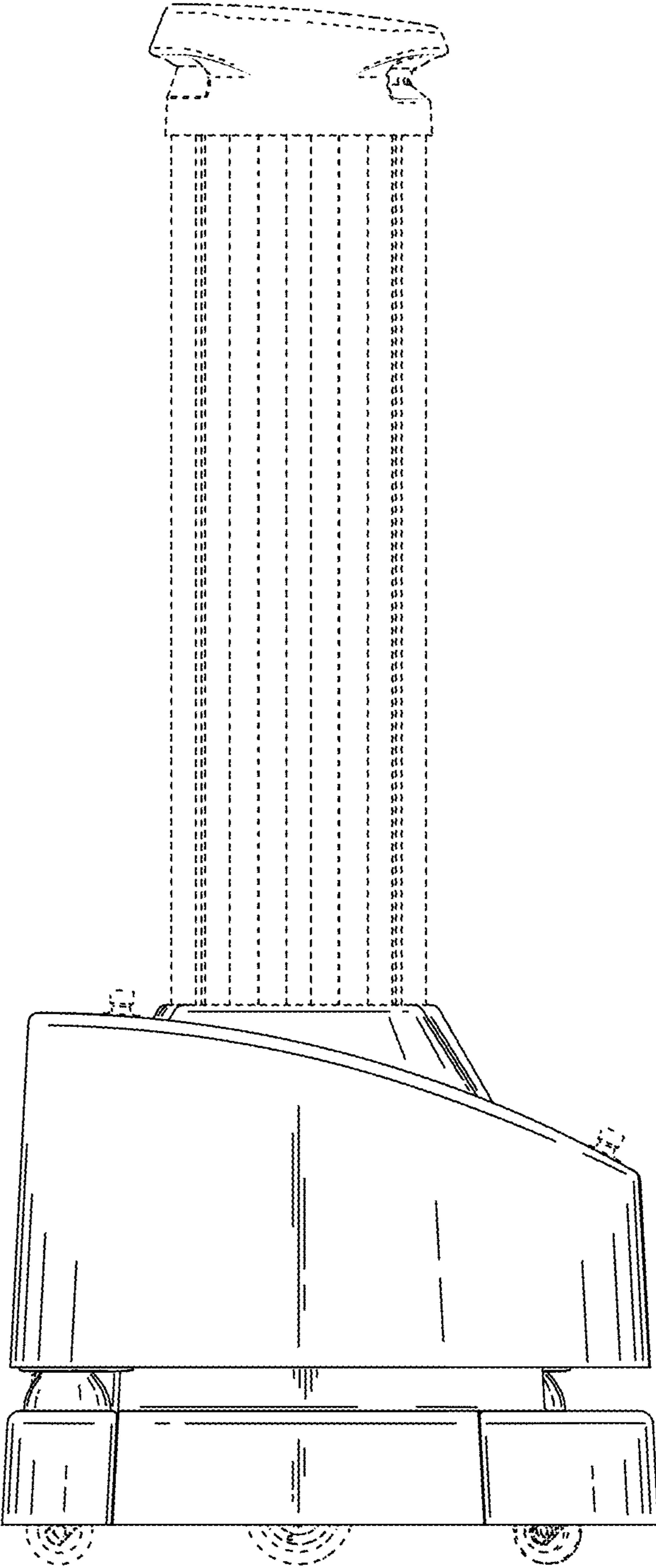


FIG. 6

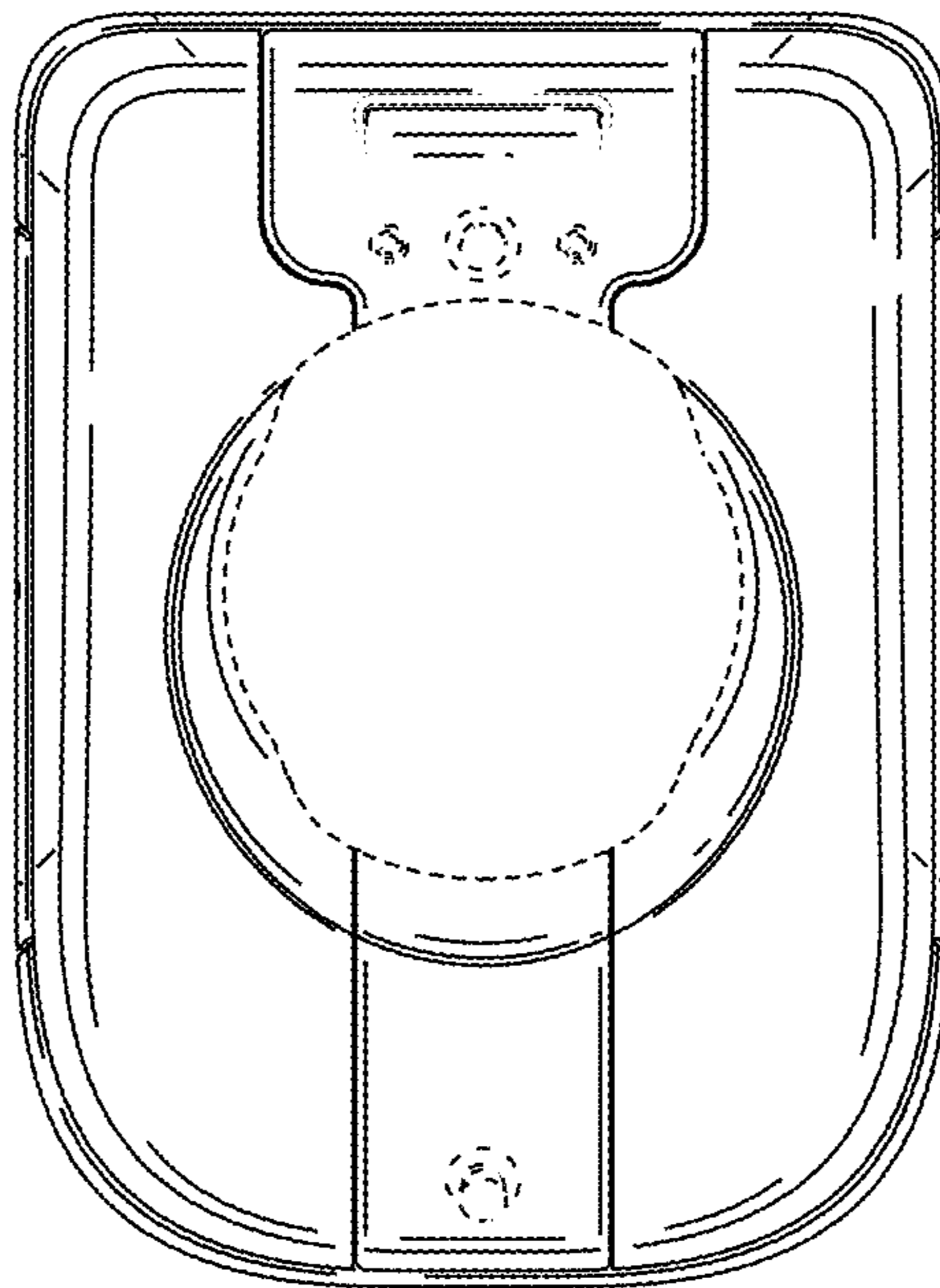


FIG. 7

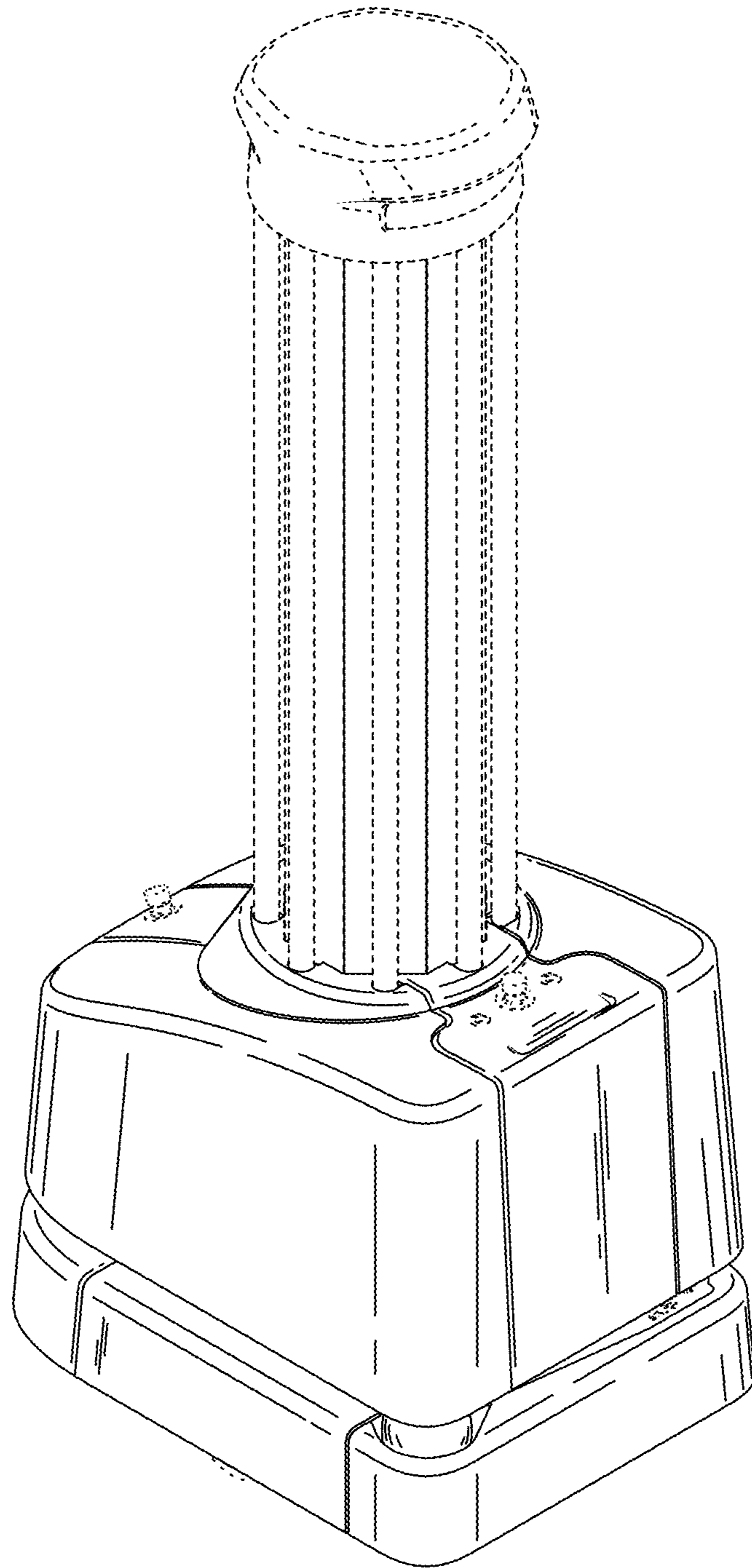


FIG. 8

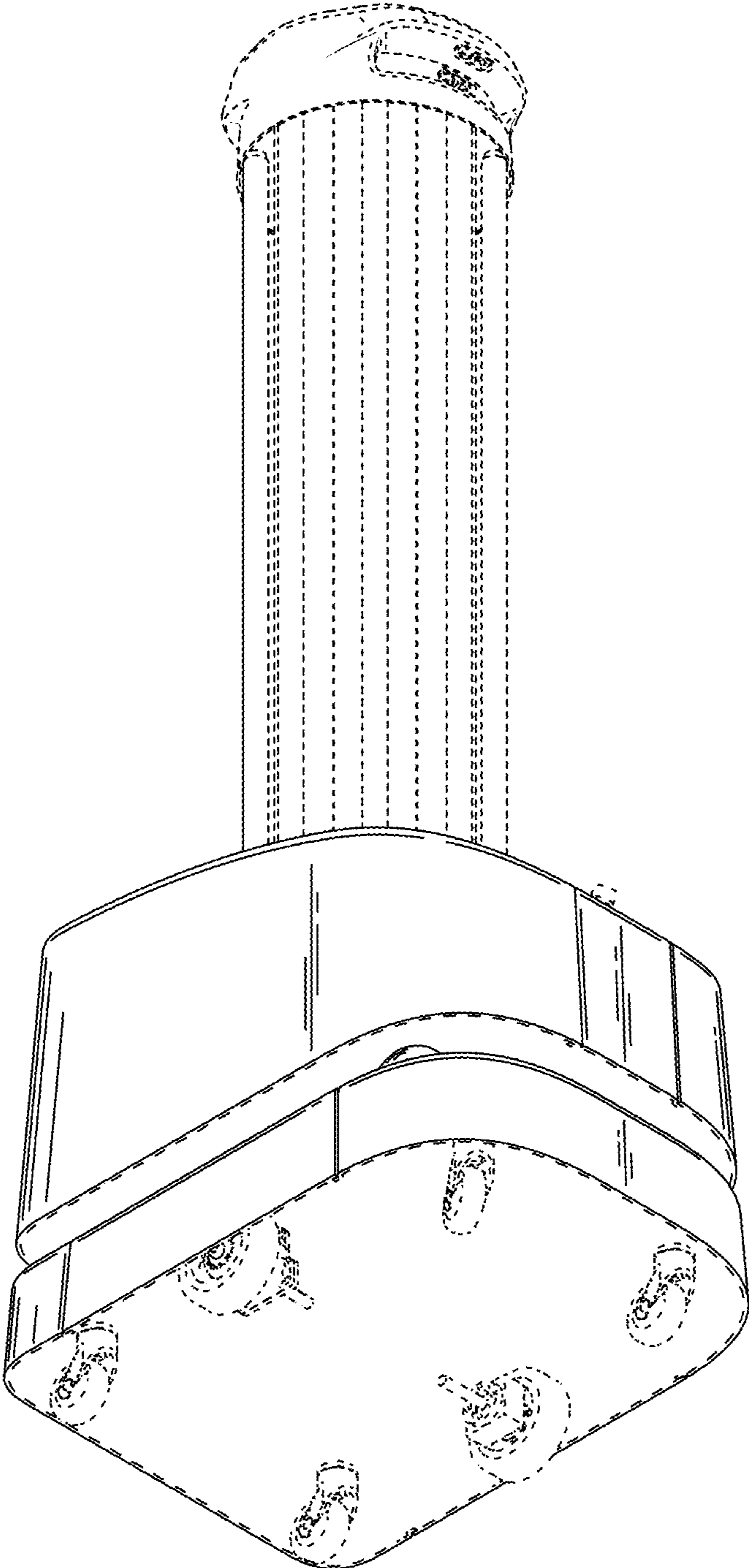


FIG. 9

