



US00D970574S

(12) **United States Design Patent**  
**Chen**

(10) **Patent No.:** **US D970,574 S**

(45) **Date of Patent:** **\*\* Nov. 22, 2022**

- (54) **WATCH BOX**
- (71) Applicant: **Qiaohong Chen**, Nan'an (CN)
- (72) Inventor: **Qiaohong Chen**, Nan'an (CN)
- (\*\*) Term: **15 Years**
- (21) Appl. No.: **29/798,033**
- (22) Filed: **Jul. 5, 2021**
- (51) **LOC (13) Cl.** ..... **15-99**
- (52) **U.S. Cl.**  
USPC ..... **D15/199**
- (58) **Field of Classification Search**  
USPC ..... D3/273-294, 298; D9/414, 418, 420,  
D9/421, 423, 431-432; D15/199  
CPC ... G04B 5/00; G04B 5/04; G04D 7/00; G04D  
7/009  
See application file for complete search history.

8,714,813 B2 *	5/2014	Liao	.....	H02J 50/10 320/108
D707,118 S *	6/2014	Au	.....	D9/418
D722,633 S *	2/2015	Au	.....	D15/199
D931,924 S *	9/2021	Huang	.....	D15/199
D932,532 S *	10/2021	Huang	.....	D15/199
D939,005 S *	12/2021	Huang	.....	D15/199
2005/0254352 A1 *	11/2005	Wolf, V	.....	G04D 7/009 368/206
2007/0223319 A1 *	9/2007	Hill	.....	G04D 7/009 368/206
2010/0165798 A1 *	7/2010	Huang	.....	G04D 7/009 368/206

\* cited by examiner

*Primary Examiner* — Patricia A Palasik

(57) **CLAIM**

The ornamental design for a watch box, as shown and described.

**DESCRIPTION**

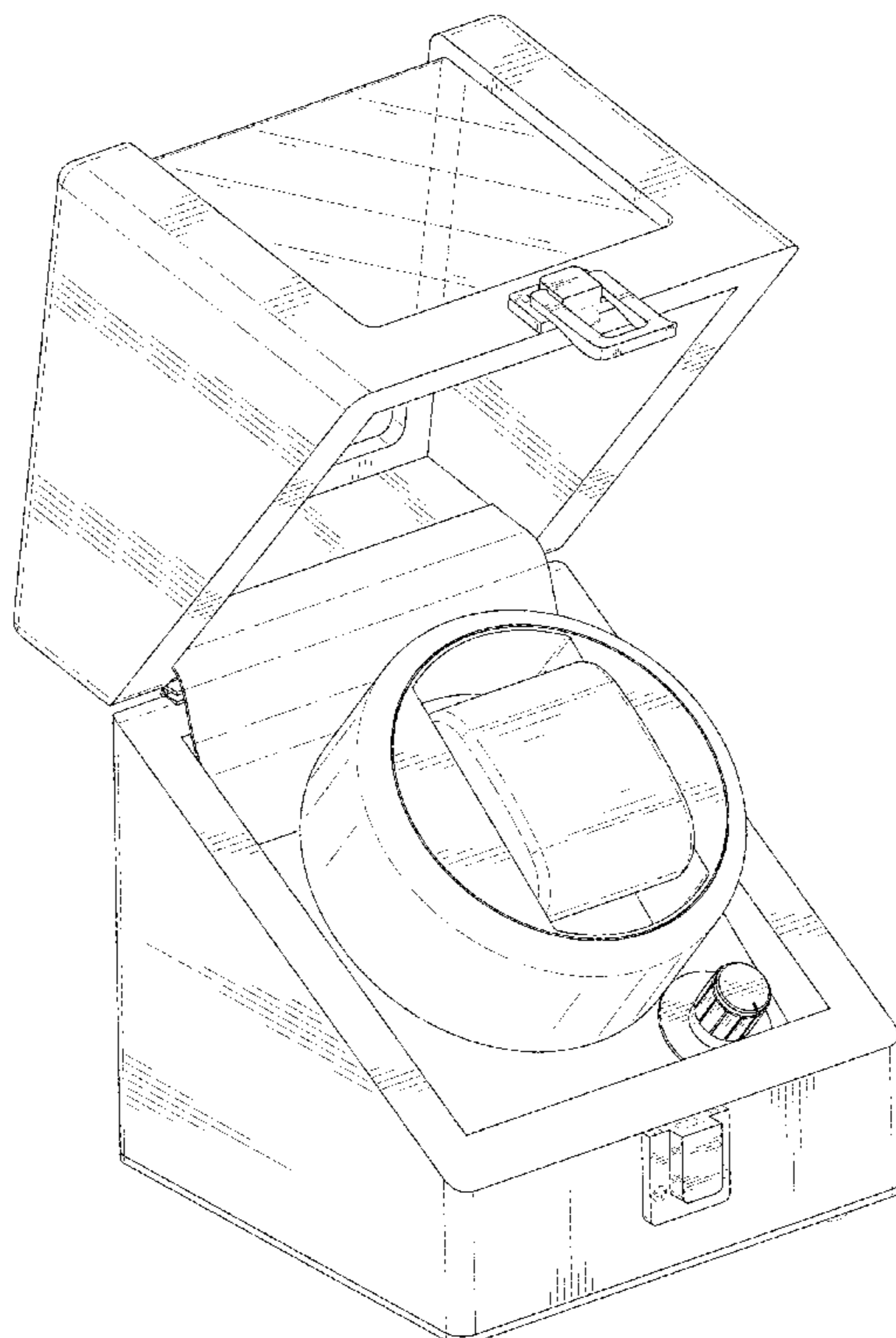
FIG. 1 is a perspective view of a watch box showing my new design;  
 FIG. 2 is another perspective view thereof;  
 FIG. 3 is a front elevational view thereof;  
 FIG. 4 is a rear elevational view thereof;  
 FIG. 5 is a left side elevational view thereof;  
 FIG. 6 is a right side elevational view thereof;  
 FIG. 7 is a top plan view thereof;  
 FIG. 8 is a bottom plan view thereof; and,  
 FIG. 9 is a perspective view of the watch box where the watch box is in a configuration of use.  
 The broken lines in the drawings depict portions of the watch box that form no part of the claimed design.

**1 Claim, 9 Drawing Sheets**

(56) **References Cited**

**U.S. PATENT DOCUMENTS**

5,988,871 A *	11/1999	Bonnet	.....	G04B 3/006 81/7.5
D452,256 S *	12/2001	Wolf	.....	D15/199
D513,568 S *	1/2006	Au	.....	G04D 7/009 D3/294
D556,227 S *	11/2007	Au	.....	D15/199
7,575,367 B2 *	8/2009	Wolf, V	.....	G04D 7/009 81/7.5
D607,028 S *	12/2009	Subilia	.....	D15/199
7,927,009 B2 *	4/2011	Huang	.....	G04D 7/009 439/701
D658,696 S *	5/2012	Au	.....	D15/199



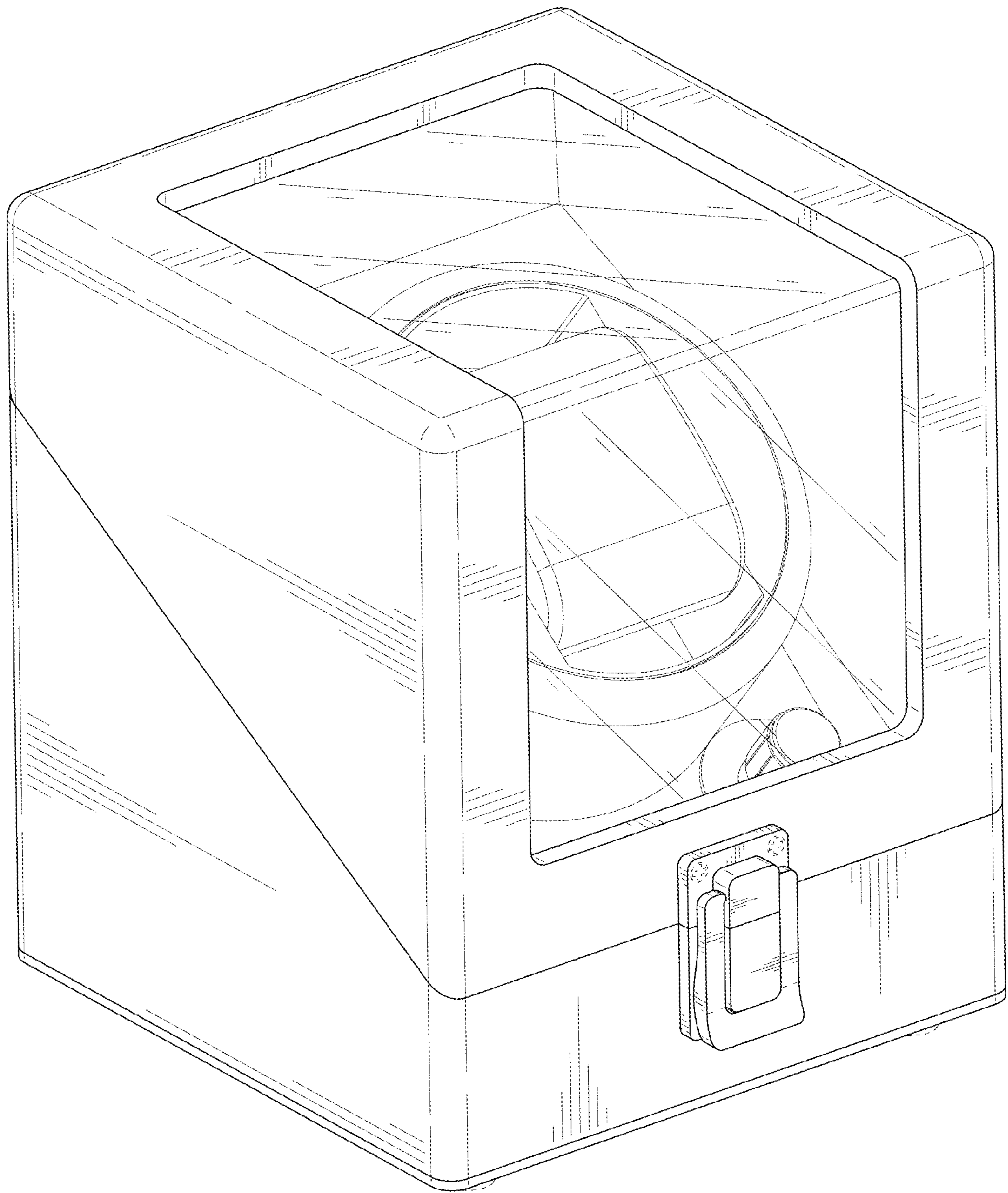


FIG. 1

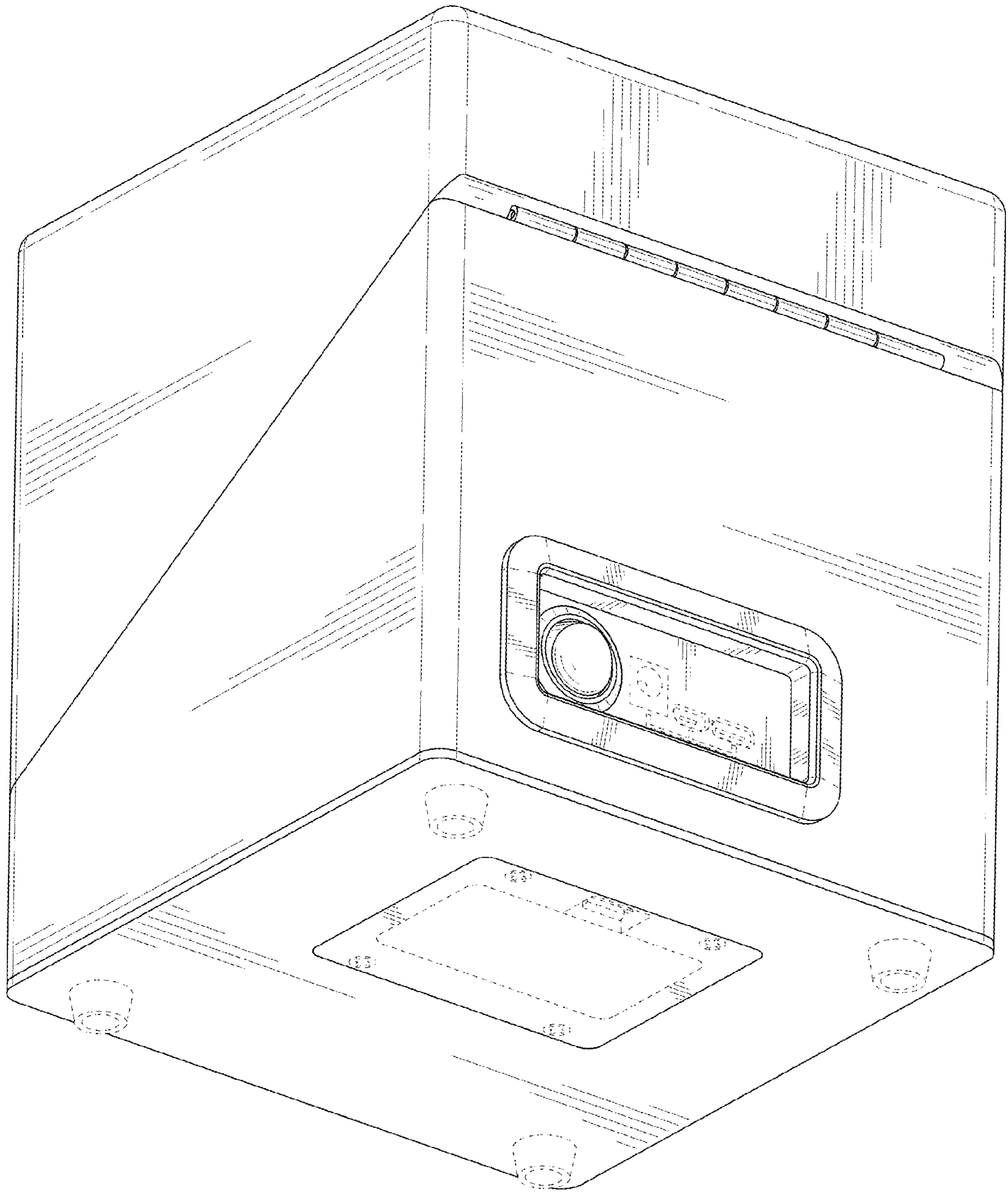


FIG. 2

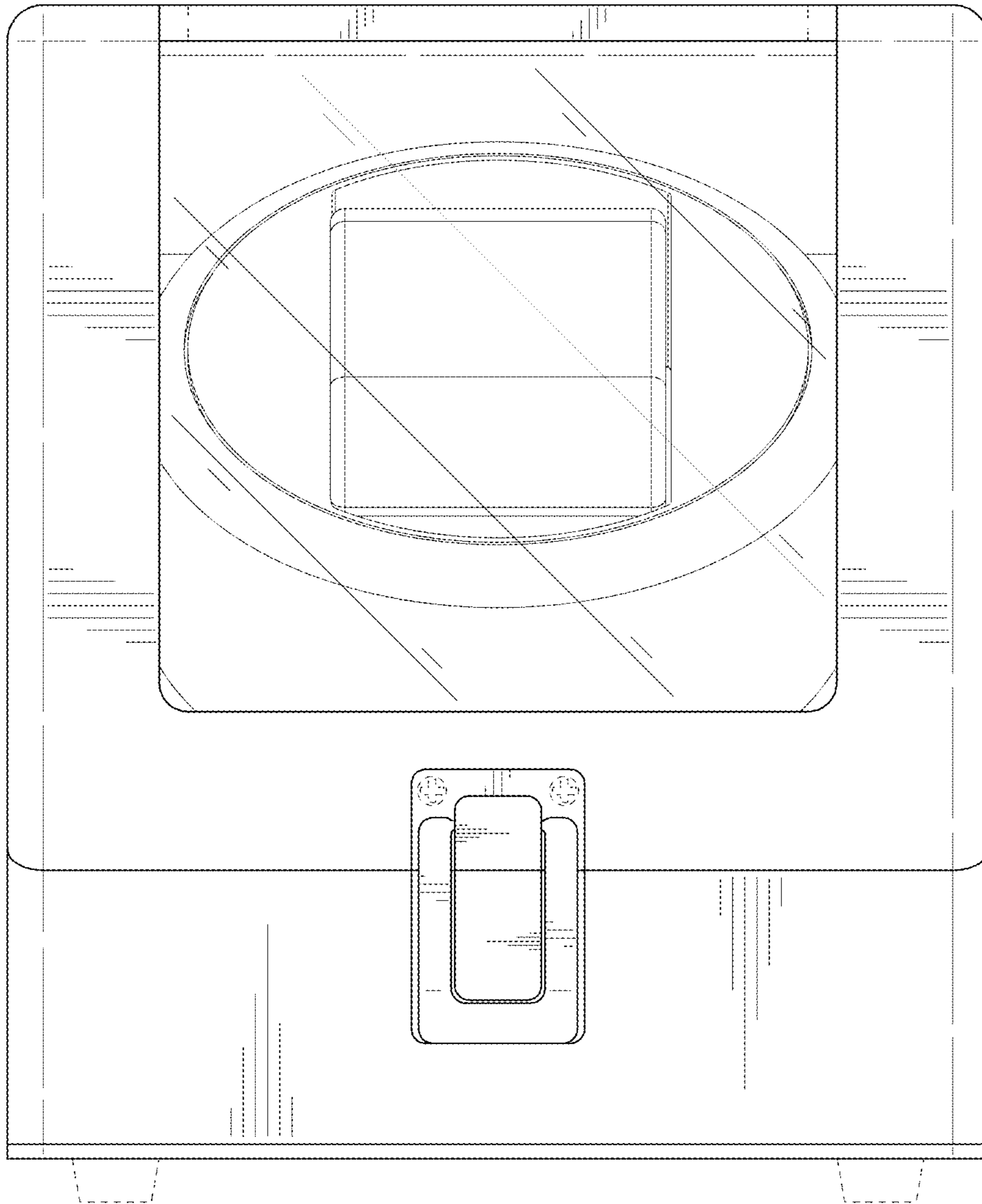


FIG. 3

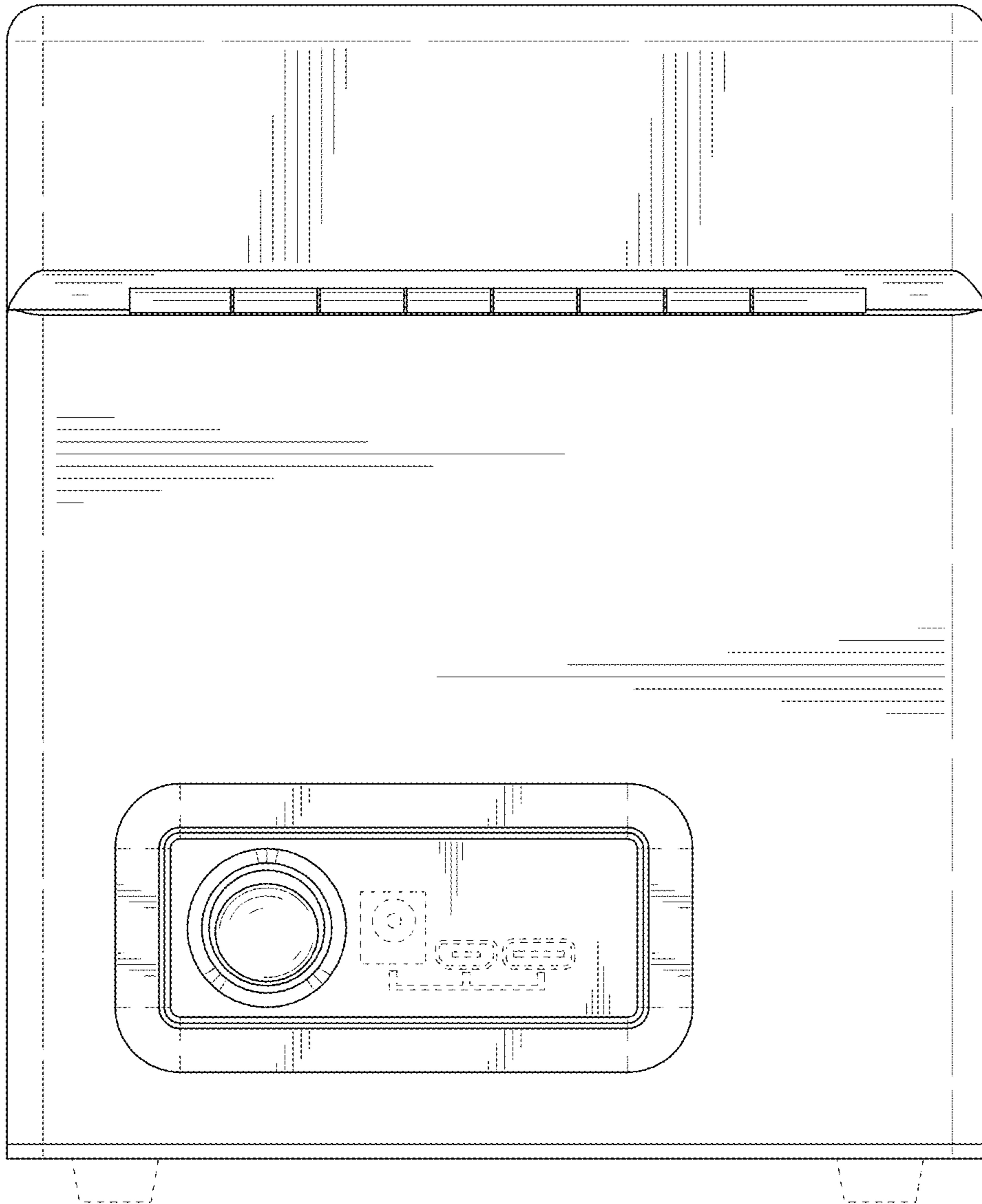


FIG. 4

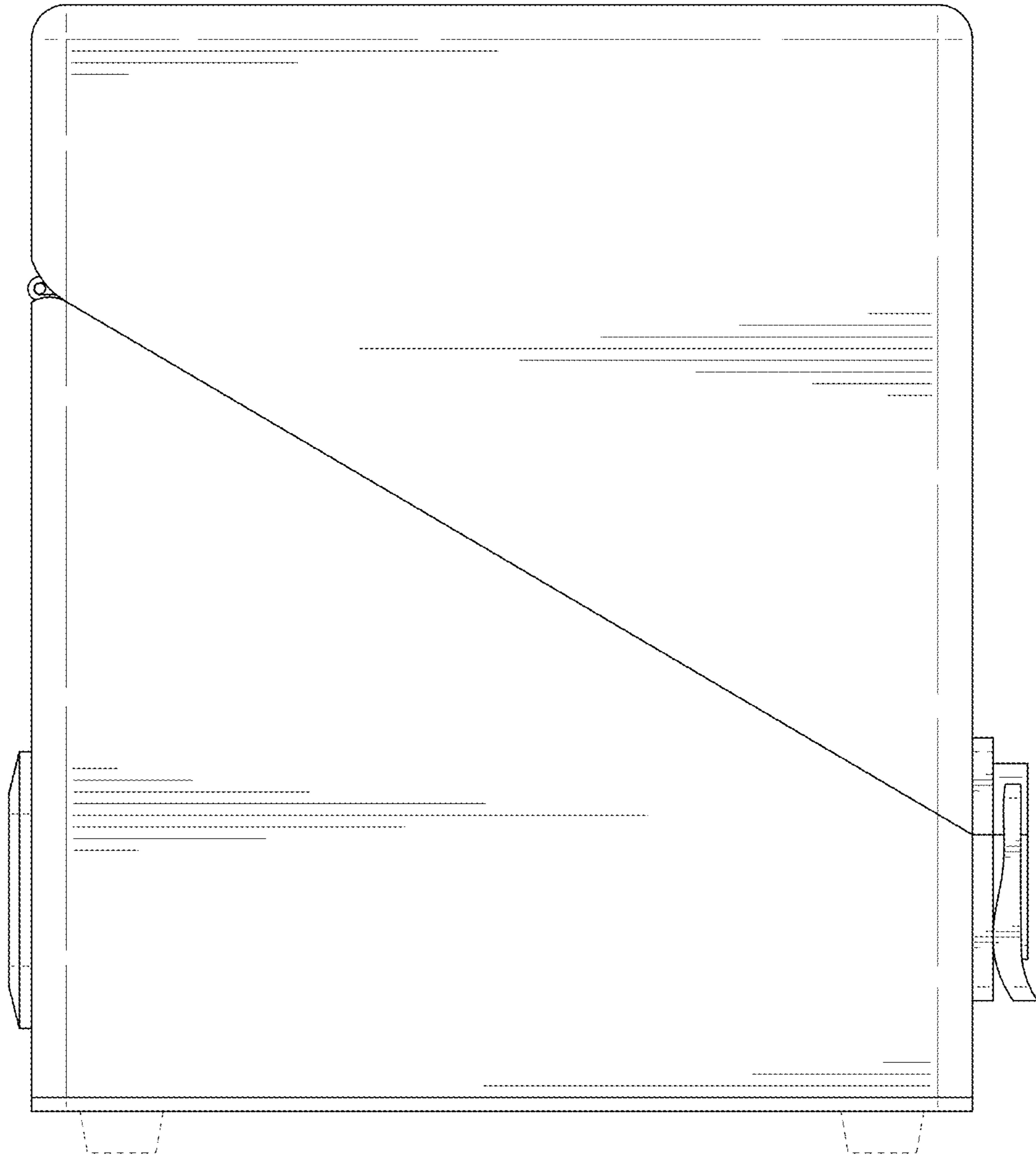


FIG. 5

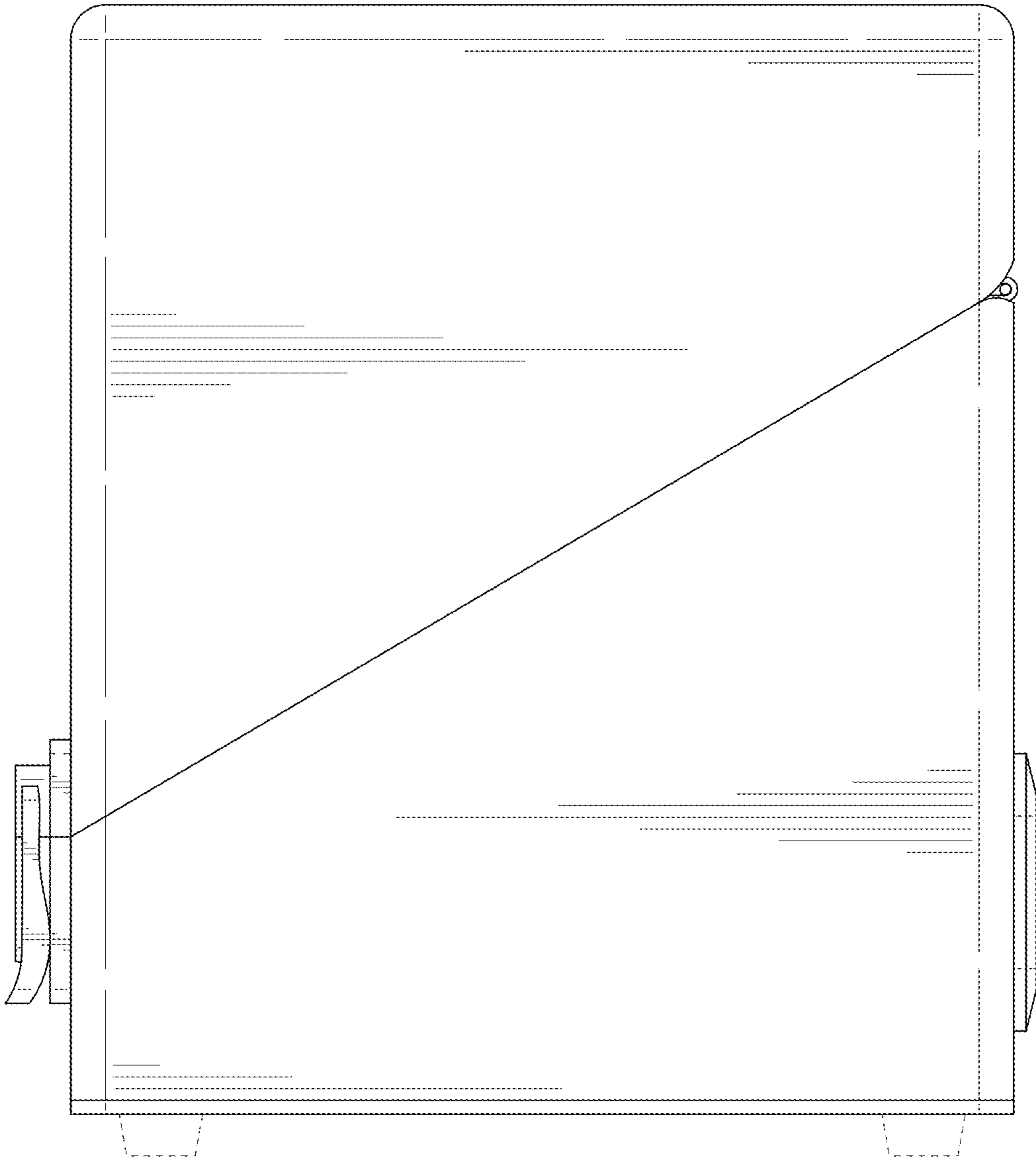


FIG. 6

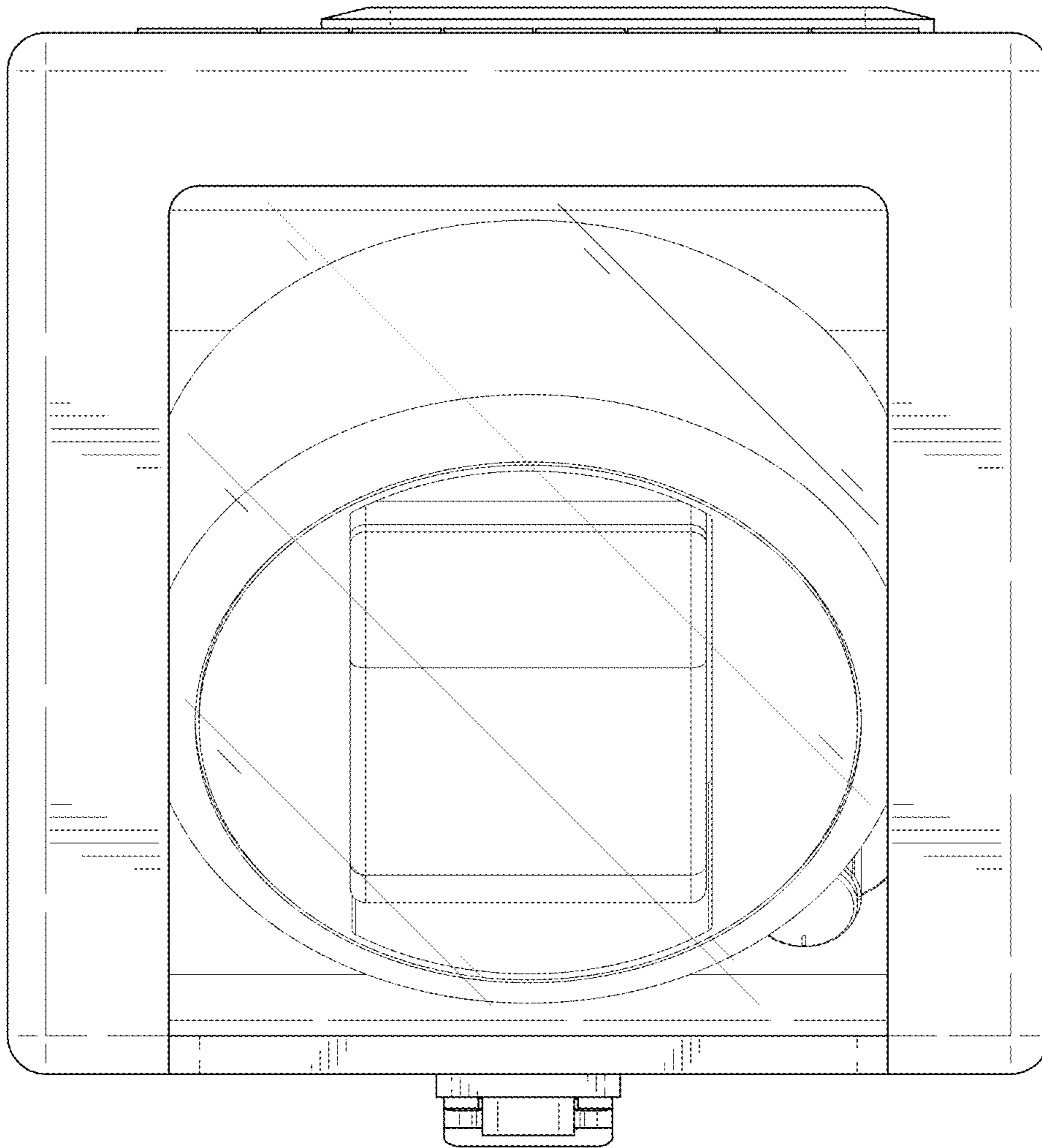


FIG. 7



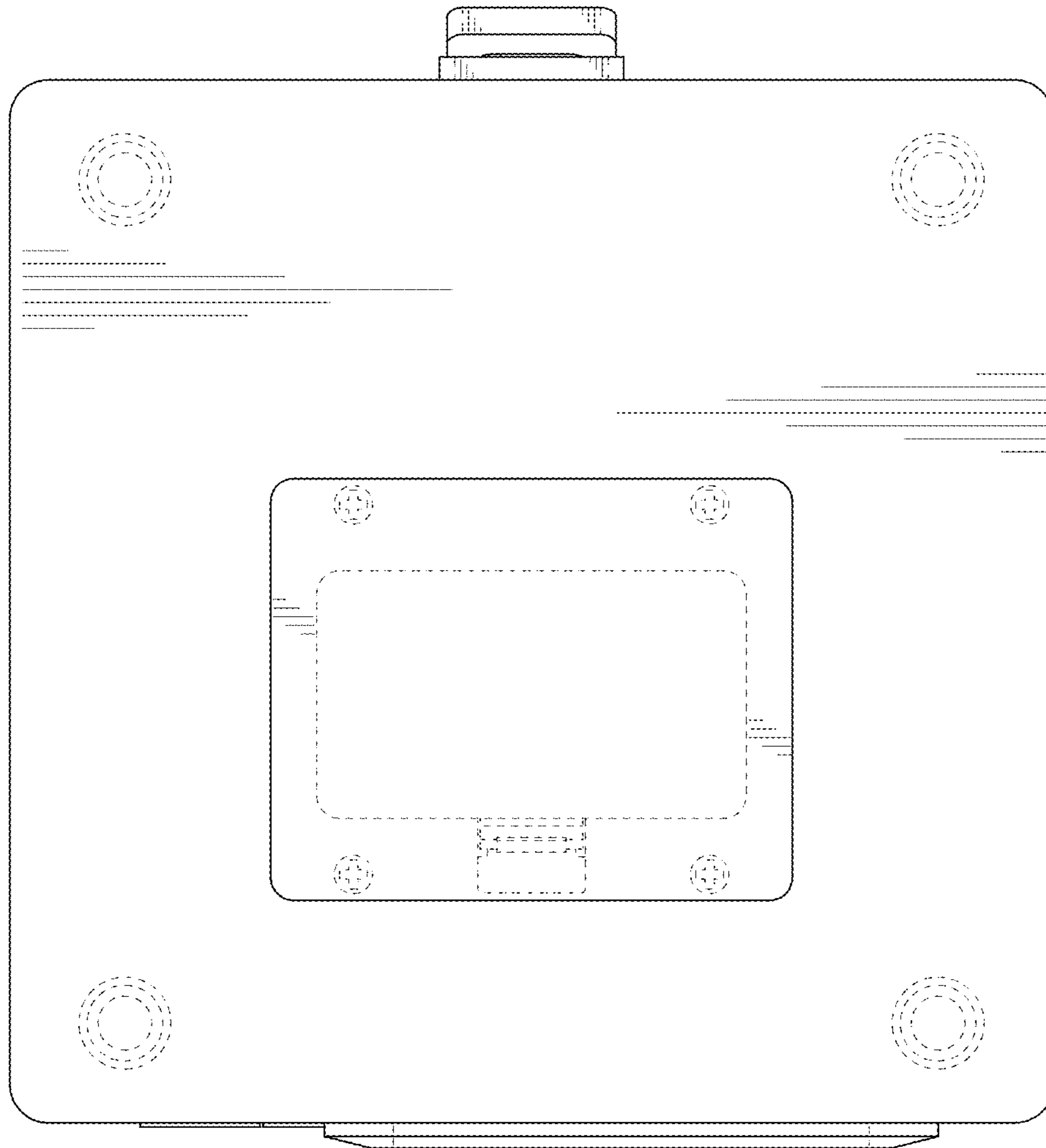


FIG. 8

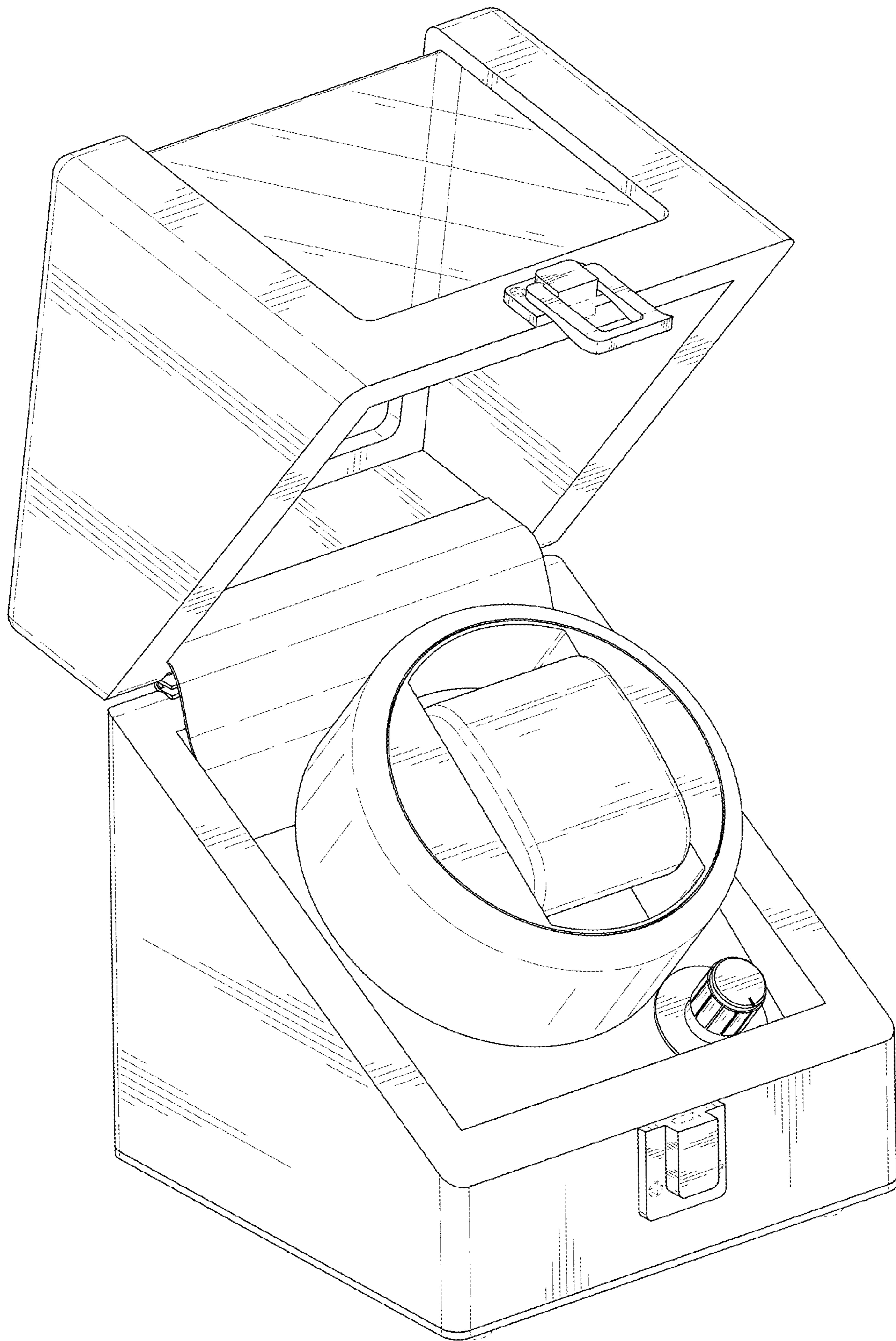


FIG. 9