



US00D970573S

(12) **United States Design Patent** (10) **Patent No.:** **US D970,573 S**
Li (45) **Date of Patent:** **** Nov. 22, 2022**

(54) **SECURITY ROBOT**
(71) Applicants: **Guangzhou Shiyuan Electronic Technology Co., Ltd.**, Guangdong (CN); **Guangzhou Shirui Electronics Co., Ltd.**, Guangdong (CN)
(72) Inventor: **Zongjie Li**, Guangdong (CN)
(73) Assignees: **Guangzhou Shiyuan Electronic Technology Co., Ltd.**, Guangzhou (CN); **Guangzhou Shirui Electronics Co., Ltd.**, Guangzhou (CN)
(**) Term: **15 Years**

D829,250 S * 9/2018 Zilbershtein D15/199
D837,855 S * 1/2019 Chen B25J 11/008
D15/199
D841,067 S * 2/2019 Camporesi D15/199
D841,711 S * 2/2019 Liu D15/199
D849,813 S * 5/2019 Sutherland D21/578
D855,673 S * 8/2019 Sutherland D15/199
D859,485 S * 9/2019 Sutherland D15/199
D870,788 S * 12/2019 Kim A63H 11/00
D15/199
D872,788 S * 1/2020 Sutherland D15/199
D888,790 S * 6/2020 Yao D15/199
D893,570 S * 8/2020 Zheng D15/199
D894,987 S * 9/2020 Li D15/199
D895,709 S * 9/2020 Okada D15/199
D897,385 S * 9/2020 Zhang D15/199
D912,115 S * 3/2021 Rembisz D15/199

(Continued)

(21) Appl. No.: **29/785,752**
(22) Filed: **May 27, 2021**
(30) **Foreign Application Priority Data**
Nov. 27, 2020 (CN) 202030724276.0
(51) **LOC (13) Cl.** **15-99**
(52) **U.S. Cl.**
USPC **D15/199**
(58) **Field of Classification Search**
USPC D15/199; D21/578-583, 621, 622;
D32/21; D34/34
CPC B25J 5/007; B25J 11/00; B25J 11/008;
B62D 57/024; G06N 3/008; Y10S 901/01
See application file for complete search history.

Primary Examiner — Patricia A Palasik

(57) **CLAIM**

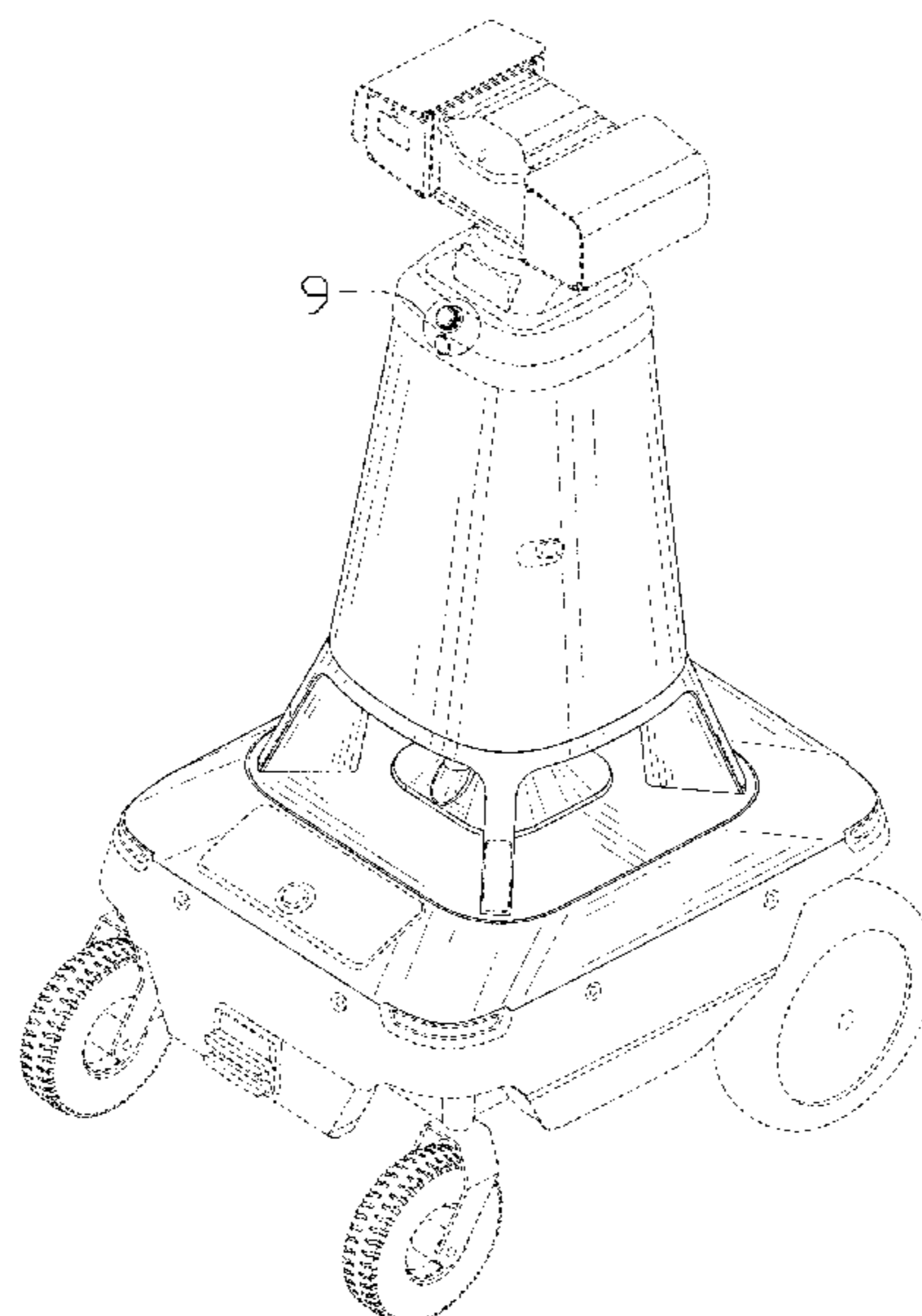
The ornamental design for a security robot, as shown and described.

DESCRIPTION

FIG. 1 is a top, front and right side perspective view of a security robot showing my new design;
FIG. 2 is a top, rear and right side perspective view thereof;
FIG. 3 is a front elevational view thereof;
FIG. 4 is a rear elevational view thereof;
FIG. 5 is a left side view thereof;
FIG. 6 is a right side view thereof;
FIG. 7 is a top plan view thereof;
FIG. 8 is a bottom plan view thereof; and,
FIG. 9 is an enlarged view of portion 9 in FIG. 1.
The broken lines in the drawings illustrate portions of the security robot which form no part of the claimed design.
Shading and cross-hatching are not features of the design, but are utilized to illustrate the surface contours of the security robot in the drawings.

(56) **References Cited**
U.S. PATENT DOCUMENTS
D712,447 S * 9/2014 He D15/199
D819,712 S * 6/2018 Gee D15/199
D822,124 S * 7/2018 Bei D21/533
D822,736 S * 7/2018 Kato D15/199
D826,302 S * 8/2018 Tsukamoto D15/199

1 Claim, 9 Drawing Sheets



(56)

References Cited

U.S. PATENT DOCUMENTS

D913,349	S	*	3/2021	Yao	D15/199
D914,779	S	*	3/2021	Poluboiarinov	D15/199
D916,940	S	*	4/2021	Wang	D15/199
D920,410	S	*	5/2021	Chen	D15/199
D920,411	S	*	5/2021	Zheng	D15/199
D921,080	S	*	6/2021	Chen	D15/199
D921,083	S	*	6/2021	Hernandez	D15/199
D922,464	S	*	6/2021	Xin	D15/199
D928,211	S	*	8/2021	Boucard	D15/199
D931,921	S	*	9/2021	Haddadin	D15/199
D934,933	S	*	11/2021	Cho	D15/199
D937,920	S	*	12/2021	Gidwell	D15/199
D942,519	S	*	2/2022	Ye	D15/199
2011/0135189	A1	*	6/2011	Lee	G05D 1/0295 901/1

* cited by examiner

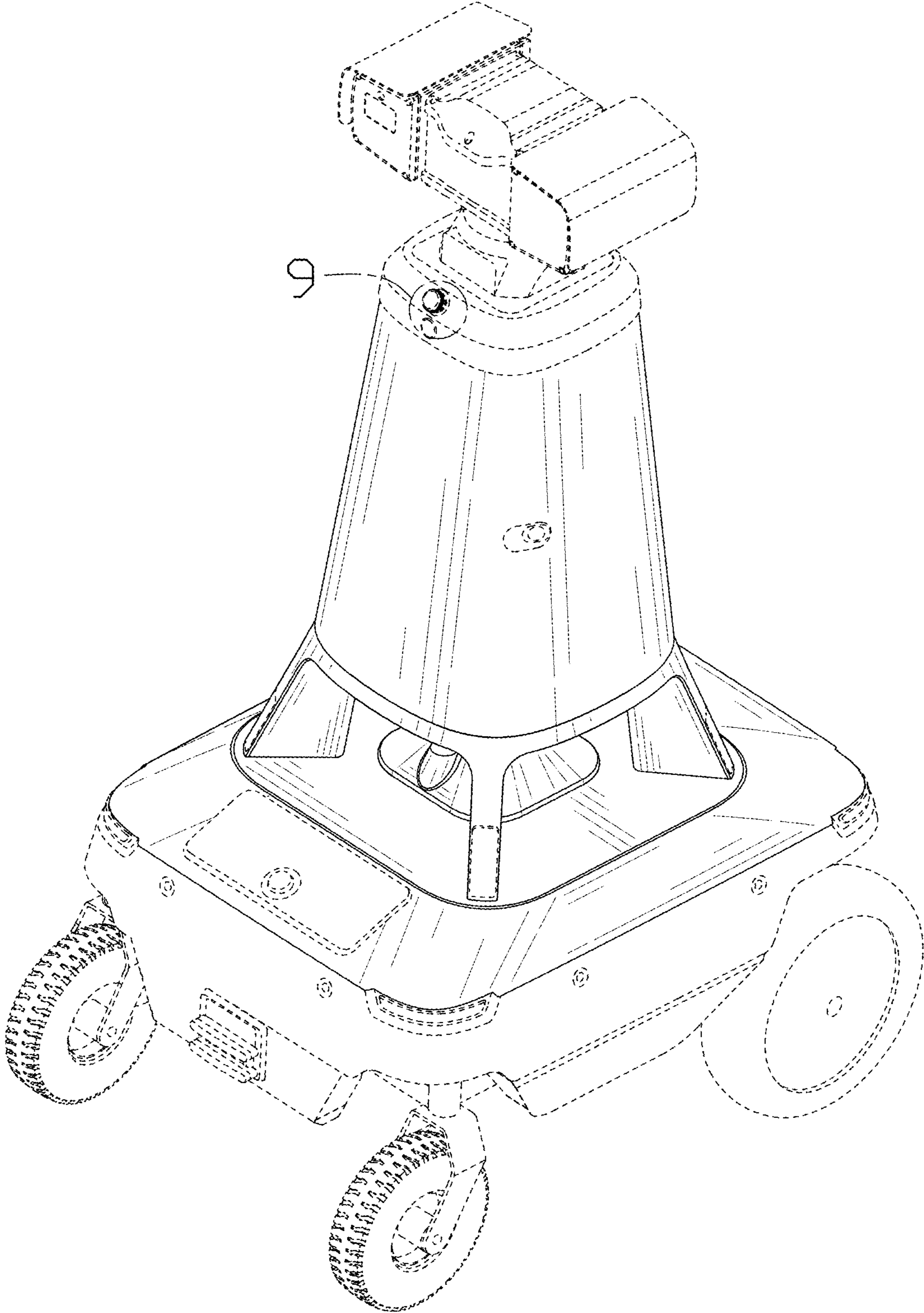


FIG. 1

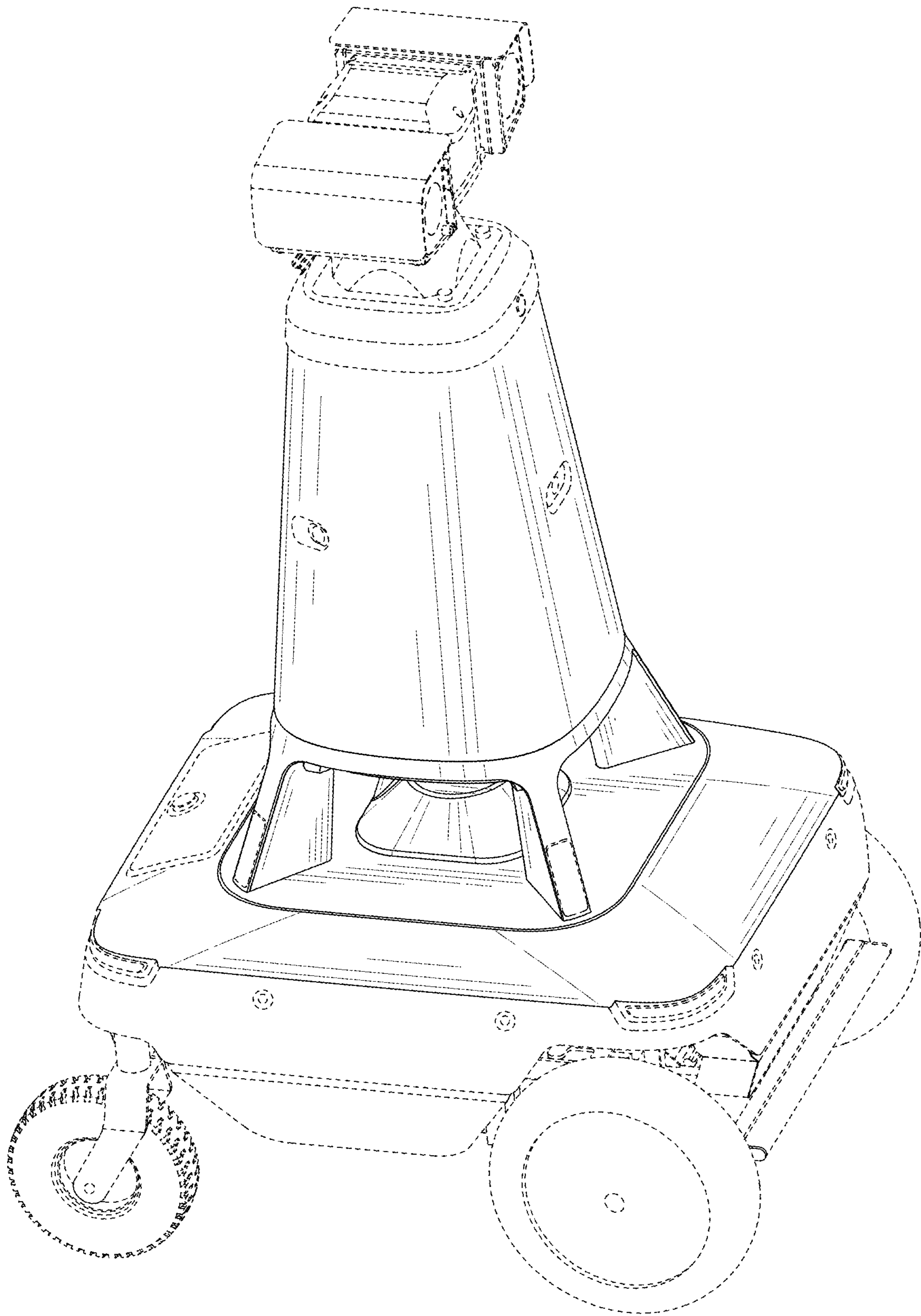


FIG. 2

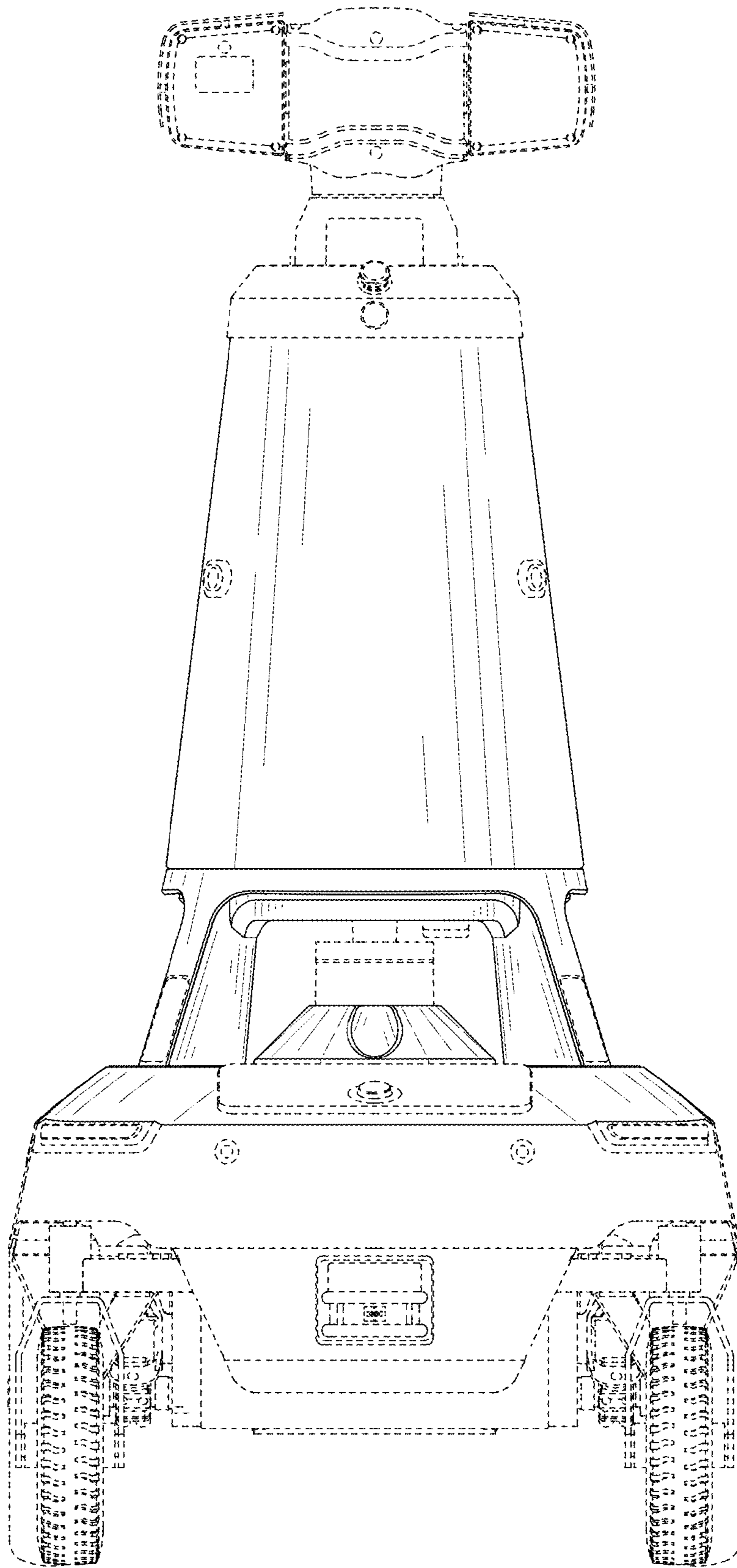


FIG. 3

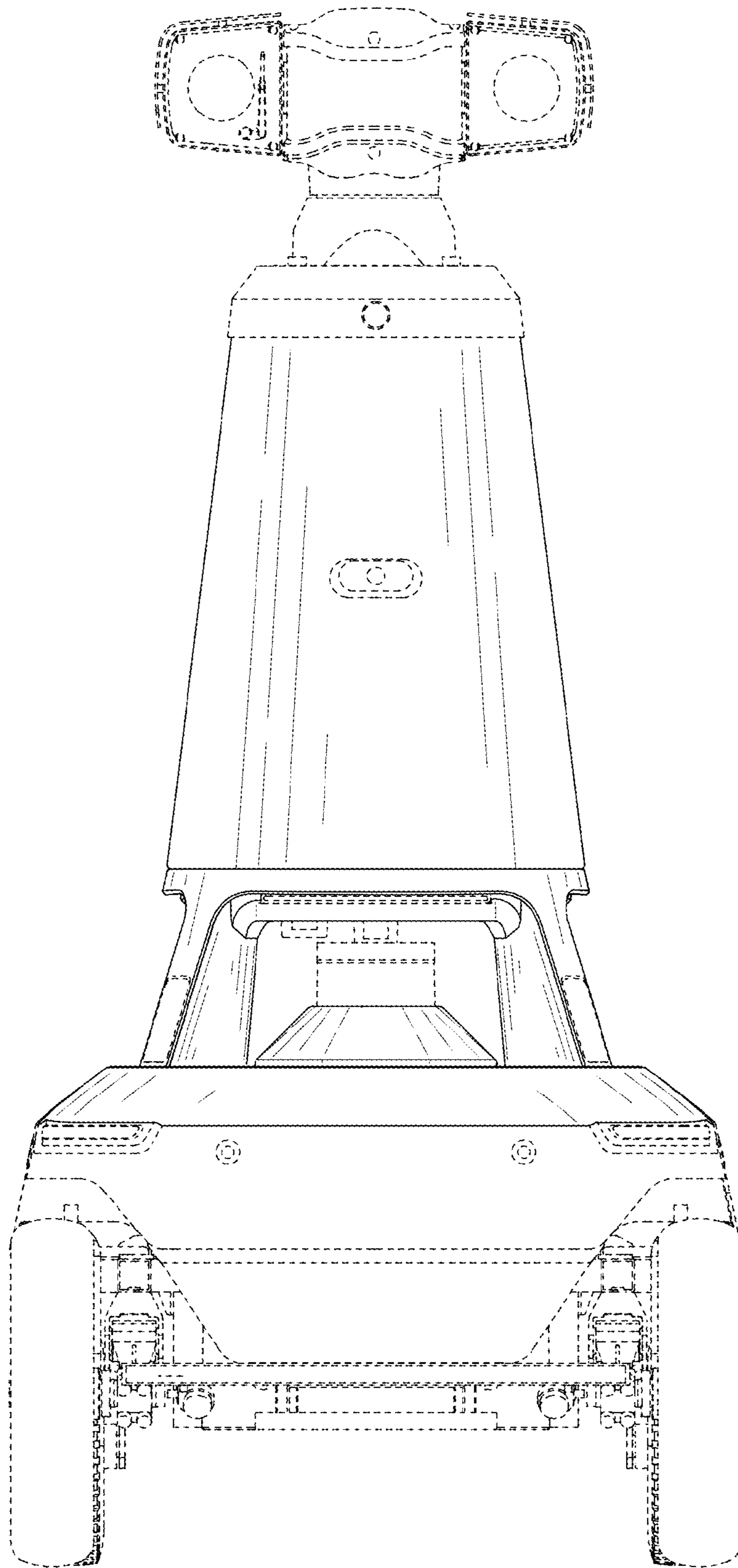


FIG. 4

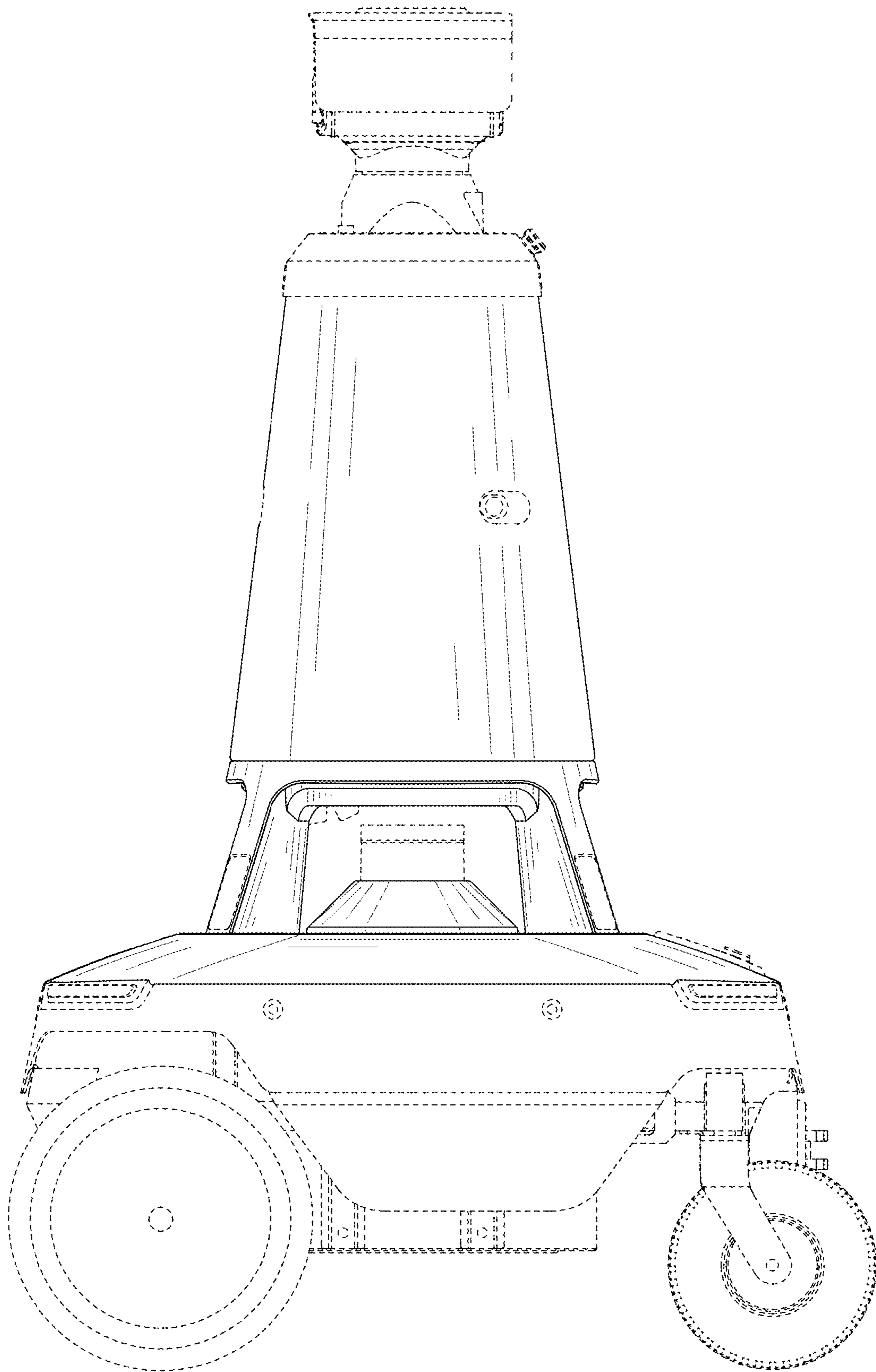


FIG. 5

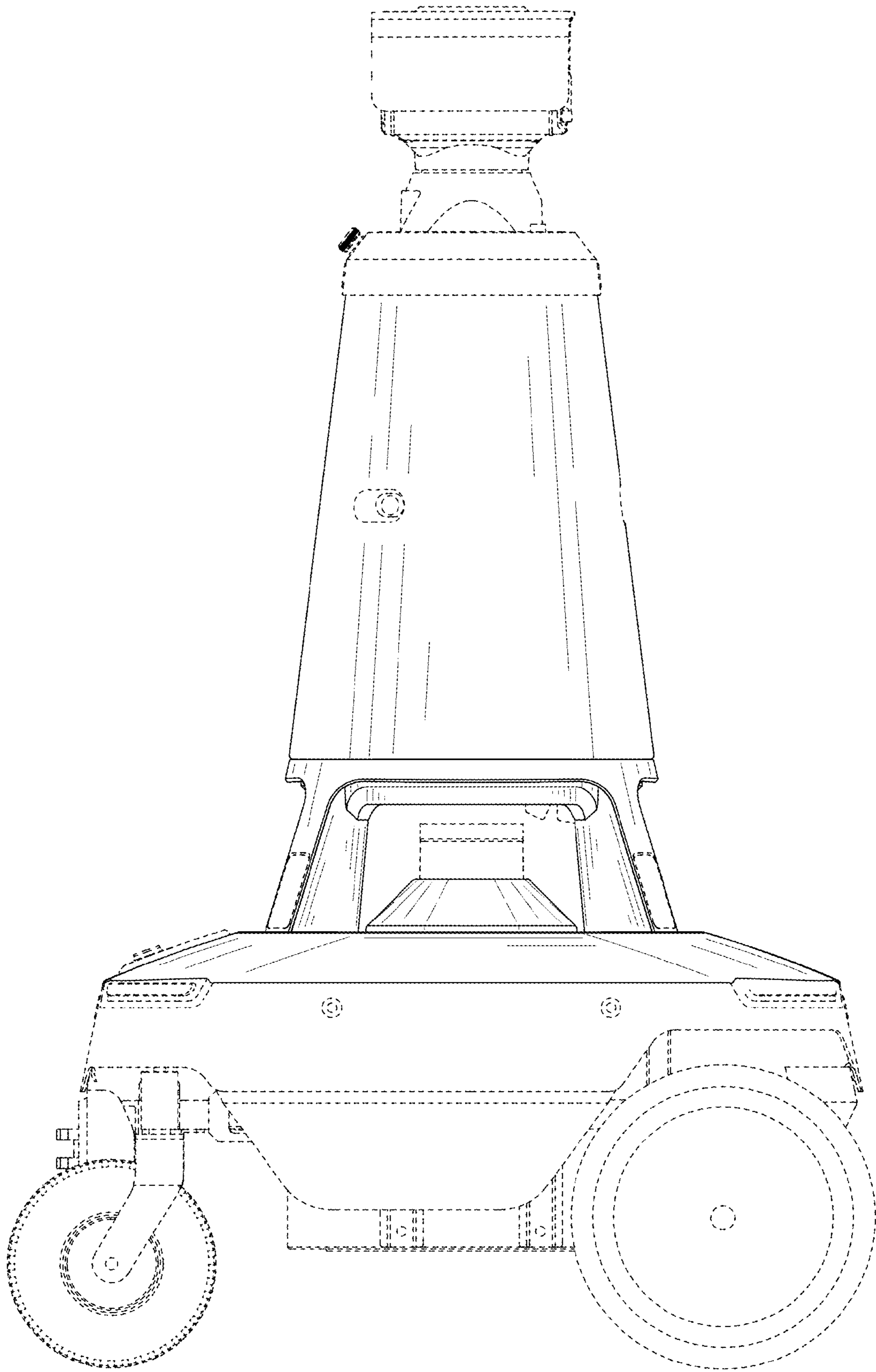


FIG. 6

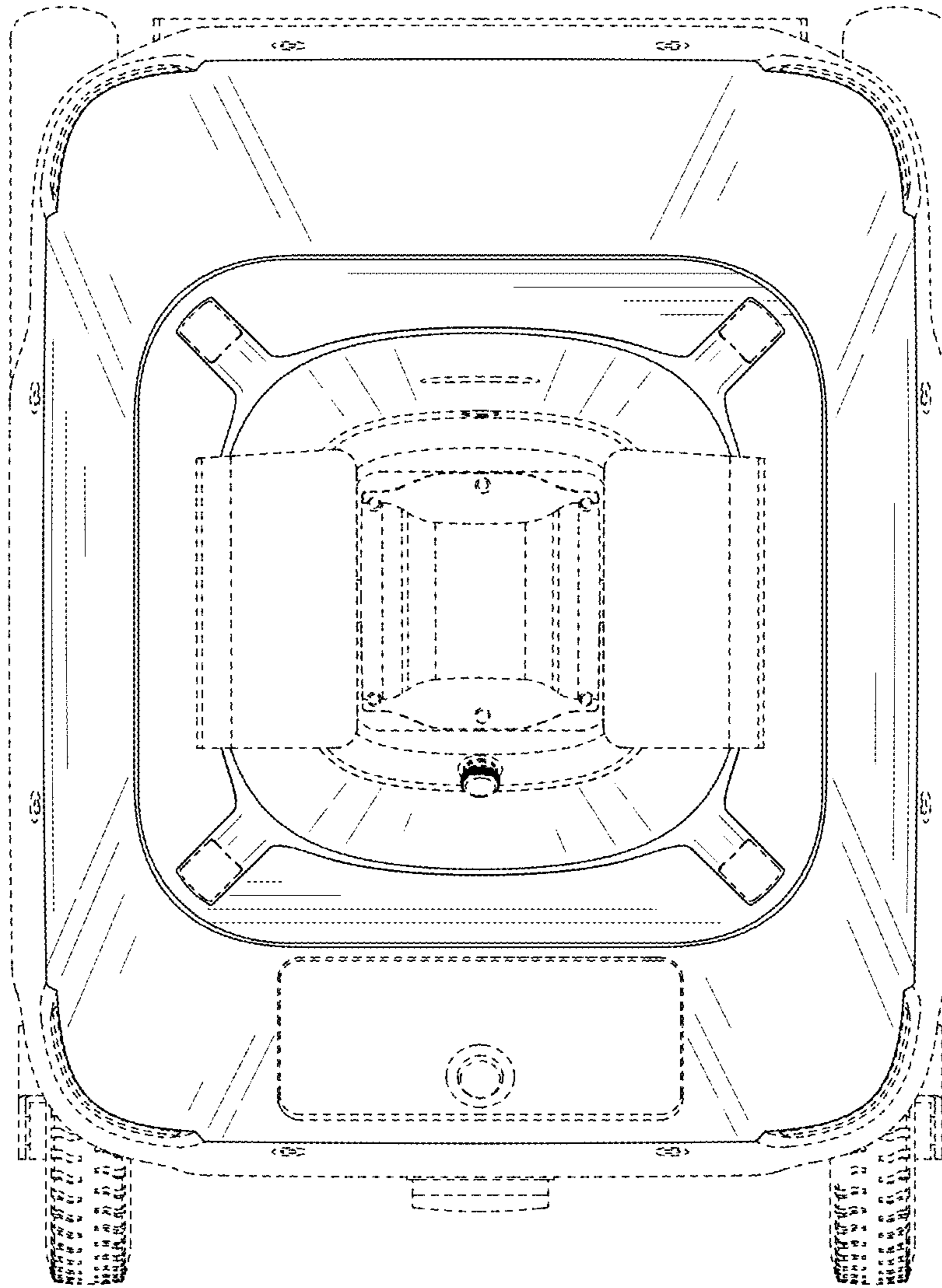


FIG. 7

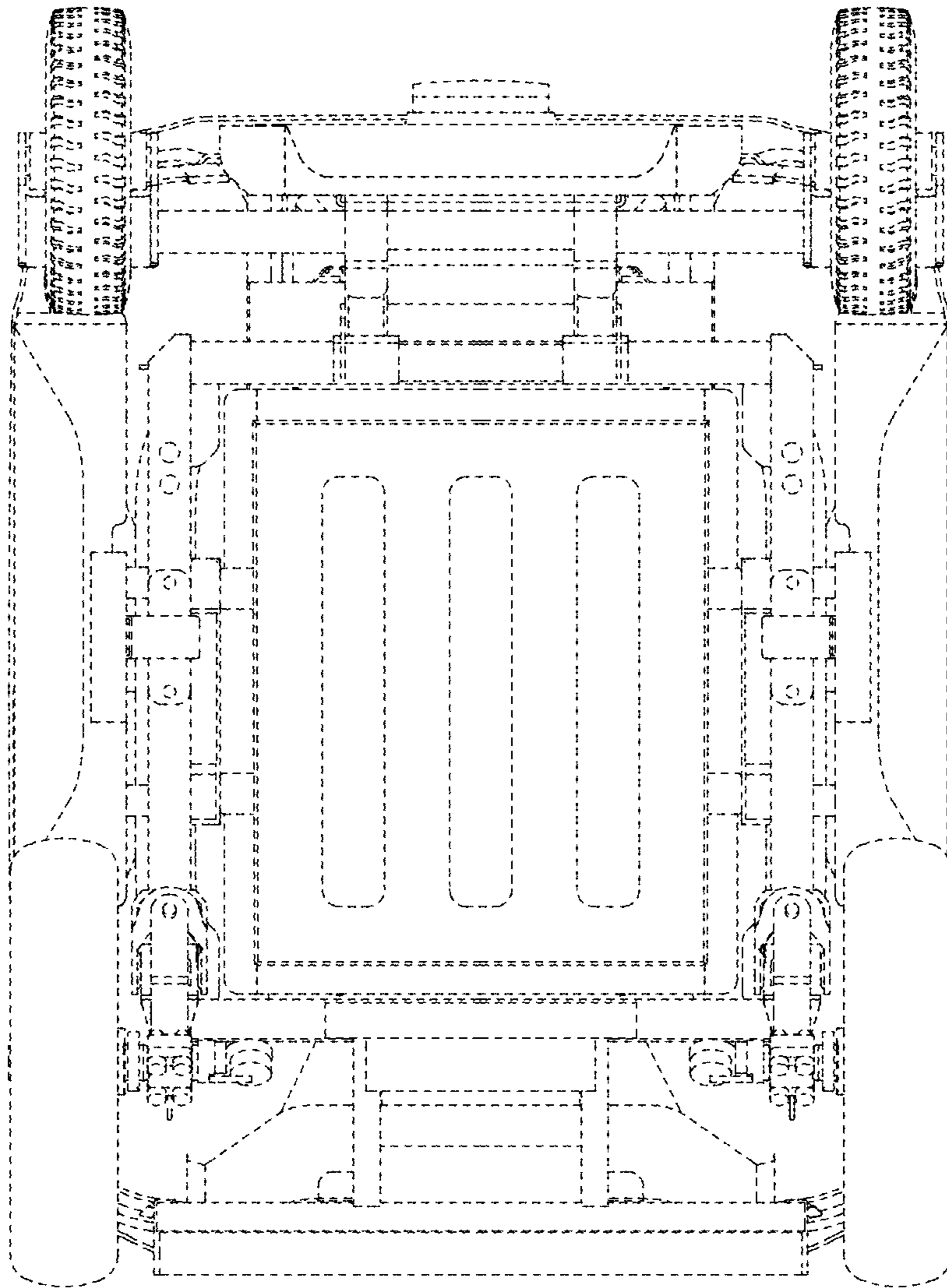


FIG. 8

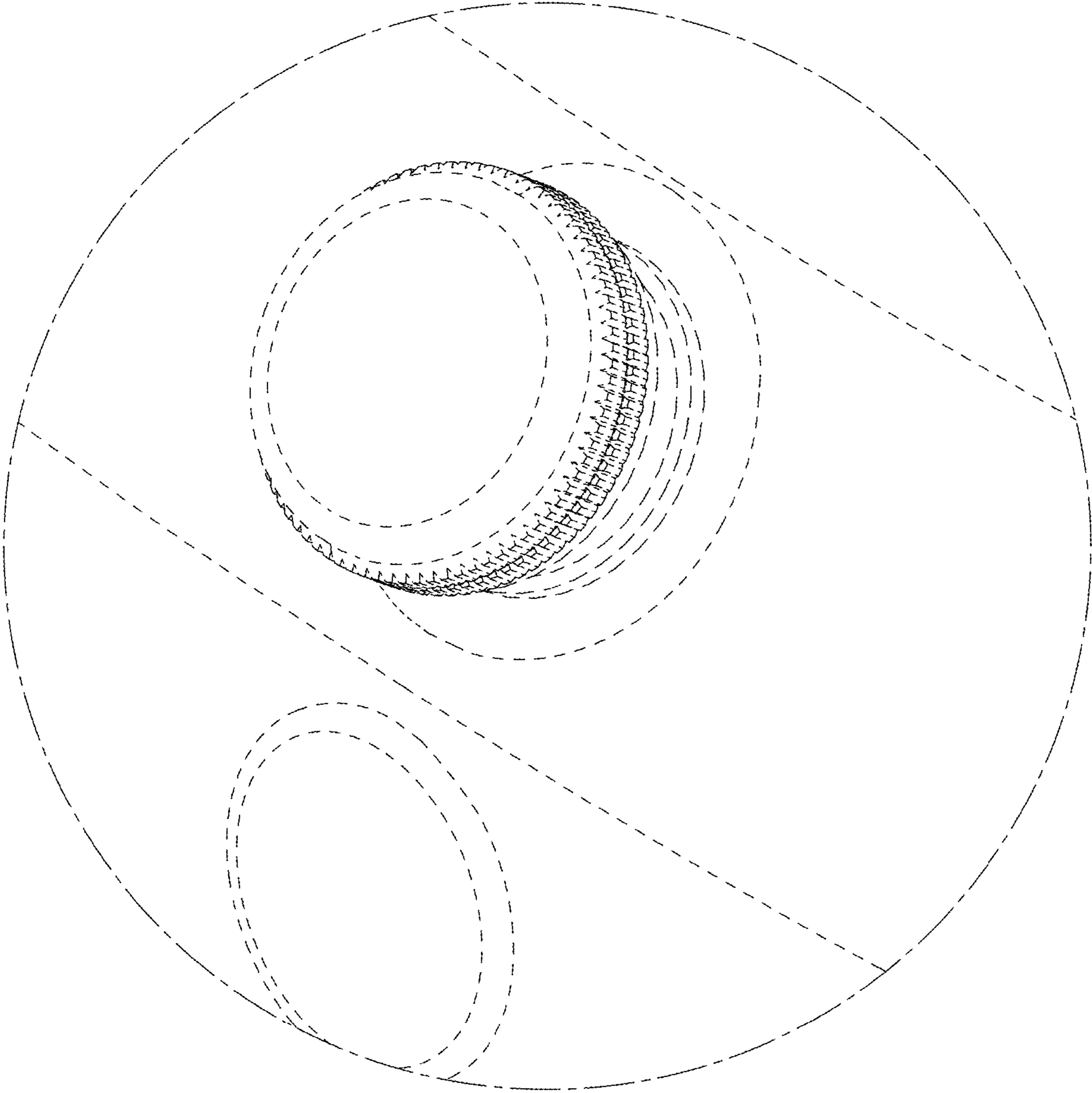


FIG. 9