



US00D970572S

(12) **United States Design Patent** (10) **Patent No.:** **US D970,572 S**
Ahn et al. (45) **Date of Patent:** **** Nov. 22, 2022**

(54) **SERVICE ROBOT**

(71) Applicant: **SAMSUNG ELECTRONICS CO., LTD.**, Suwon-si (KR)

(72) Inventors: **Daekyung Ahn**, Suwon-si (KR); **Jiyeon Kwak**, Suwon-si (KR); **Hyunjoo Kang**, Suwon-si (KR); **Eunbi Kim**, Suwon-si (KR)

(73) Assignee: **SAMSUNG ELECTRONICS CO., LTD.**, Gyeonggi-Do (KR)

(**) Term: **15 Years**

(21) Appl. No.: **29/770,815**

(22) Filed: **Feb. 17, 2021**

(30) **Foreign Application Priority Data**

Dec. 9, 2020 (KR) 30-2020-0060779

(51) **LOC (13) Cl.** **15-99**

(52) **U.S. Cl.**
USPC **D15/199**

(58) **Field of Classification Search**
USPC D15/199; D21/578-583, 621, 622;
D32/21; D34/34
CPC B25J 5/007; B25J 11/008; B60B 19/006;
B62D 57/024; Y10S 901/01
See application file for complete search history.

(56) **References Cited**

U.S. PATENT DOCUMENTS

D295,105 S * 4/1988 Dawson D34/28
D672,408 S * 12/2012 Ohler D15/199
D712,447 S * 9/2014 He D15/199
D735,258 S * 7/2015 Jang D15/199
9,854,203 B2 * 12/2017 Benetti A61G 5/04
D810,167 S * 2/2018 Yang D15/199

D810,799 S * 2/2018 Sokuza D15/199
D810,800 S * 2/2018 Wang D15/199
D817,375 S * 5/2018 Deyle D15/199
D819,711 S * 6/2018 Li D15/199
D819,712 S * 6/2018 Gee D15/199
D822,736 S * 7/2018 Kato D15/199
D837,852 S * 1/2019 Nilsson D15/199
D841,067 S * 2/2019 Camporesi D15/199
D849,813 S * 5/2019 Sutherland D21/578
D857,073 S * 8/2019 Gayne D15/199
D869,533 S * 12/2019 Kim A63H 11/00
D15/199
D888,790 S * 6/2020 Yao D15/199
D888,791 S * 6/2020 Wu D15/199
D909,441 S * 2/2021 Zhao D15/199
D909,442 S * 2/2021 Zhao D15/199
D920,411 S * 5/2021 Zheng D15/199
D931,921 S * 9/2021 Haddadin D15/199
2011/0135189 A1 * 6/2011 Lee G05D 1/0295
901/1

(Continued)

Primary Examiner — Patricia A Palasik
(74) Attorney, Agent, or Firm — Cantor Colburn LLP

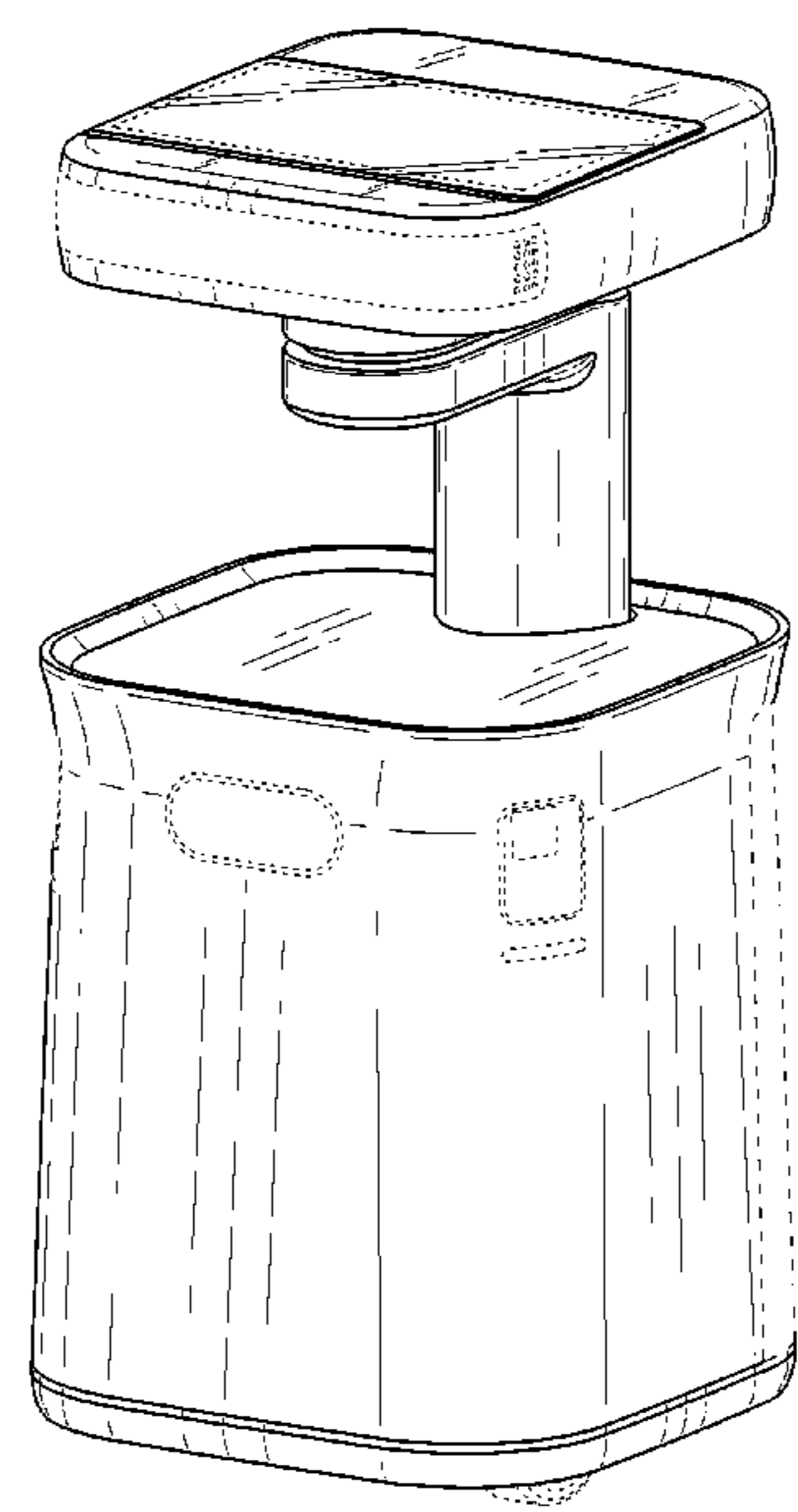
(57) **CLAIM**

The ornamental design for a service robot, as shown and described.

DESCRIPTION

FIG. 1 is a front perspective view of a service robot, showing our new design;
FIG. 2 is a front view thereof;
FIG. 3 is a rear view thereof;
FIG. 4 is a left-side view thereof;
FIG. 5 is a right-side view thereof;
FIG. 6 is a top view thereof;
FIG. 7 is a bottom view thereof; and,
FIG. 8 is rear perspective view thereof.
The broken lines depicting portions of the service robot form no part of the claimed design.

1 Claim, 8 Drawing Sheets



(56)

References Cited

U.S. PATENT DOCUMENTS

2014/0074287 A1* 3/2014 LaFary G05B 19/4061
700/253
2015/0081338 A1* 3/2015 Lai G16H 40/67
705/2
2016/0229058 A1* 8/2016 Pinter G06Q 50/22
2016/0330402 A1* 11/2016 Benetti A61H 3/04

* cited by examiner

FIG. 1

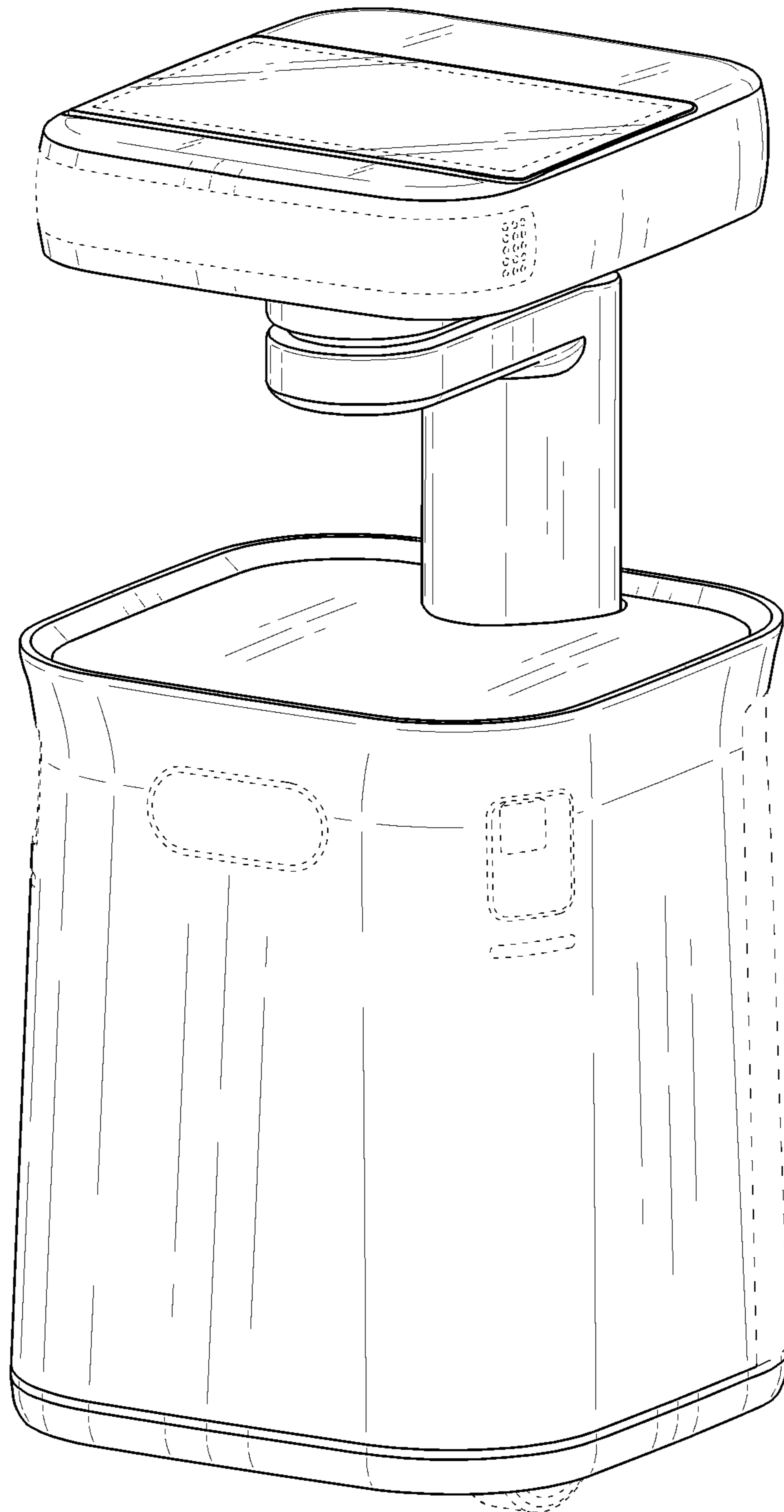


FIG. 2

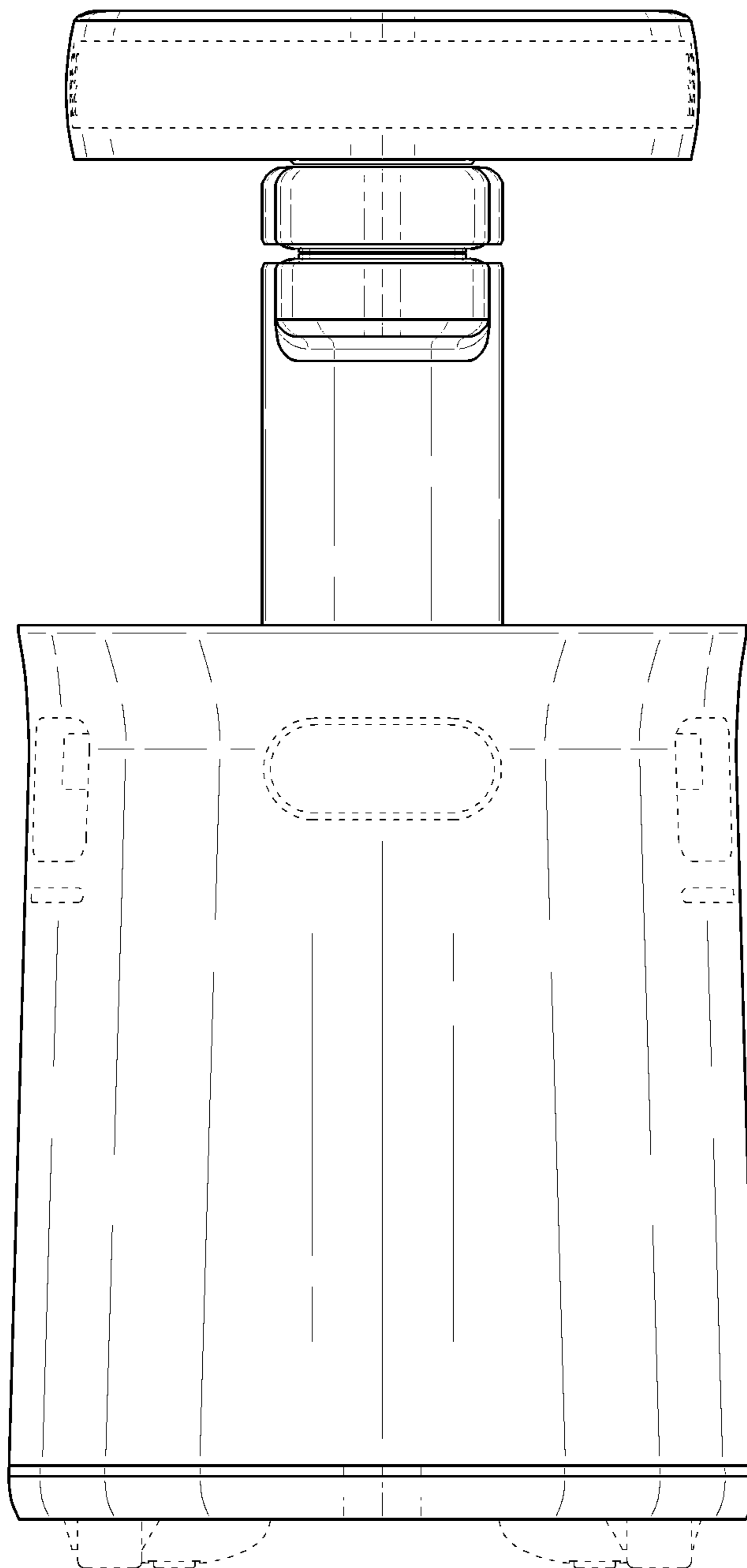


FIG. 3

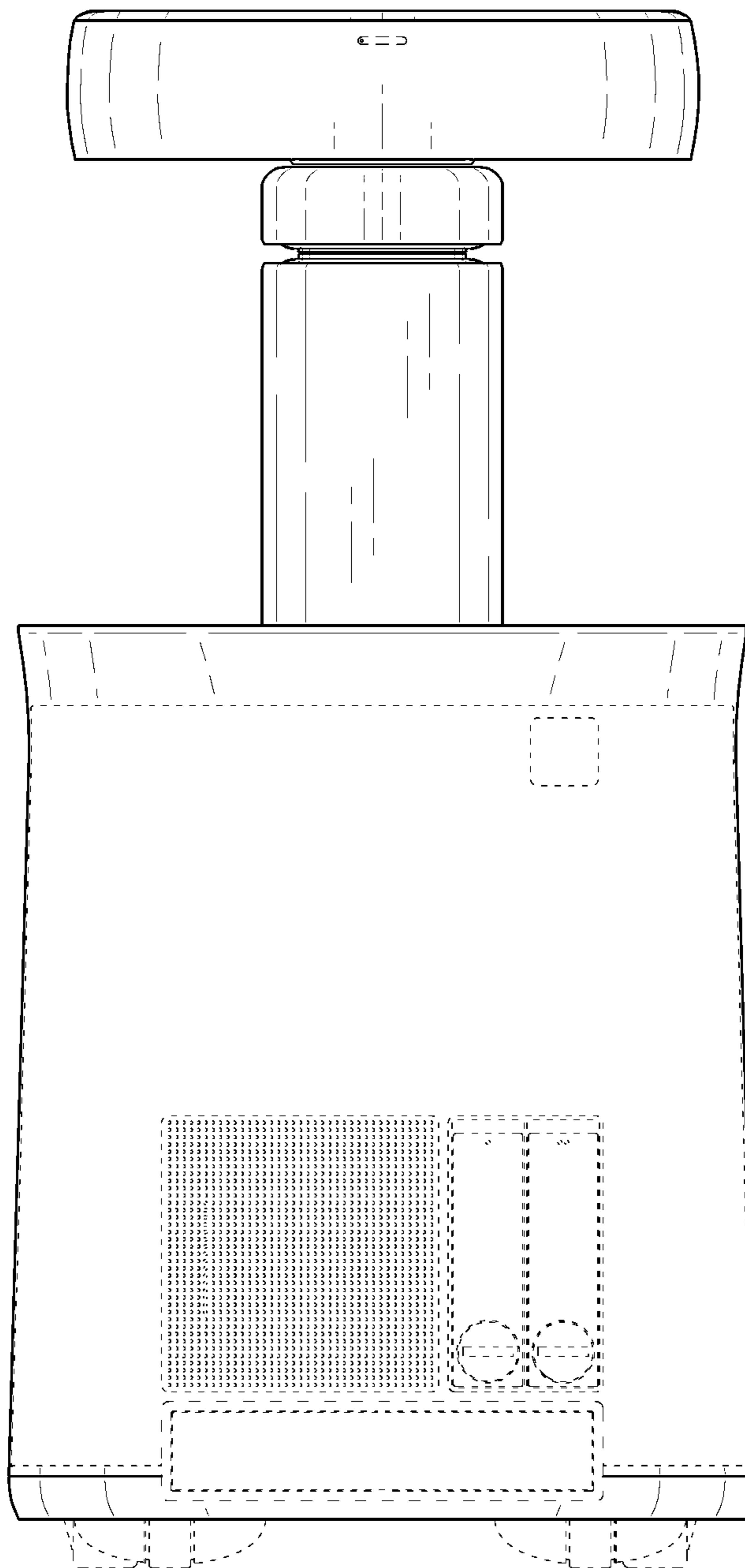


FIG. 4

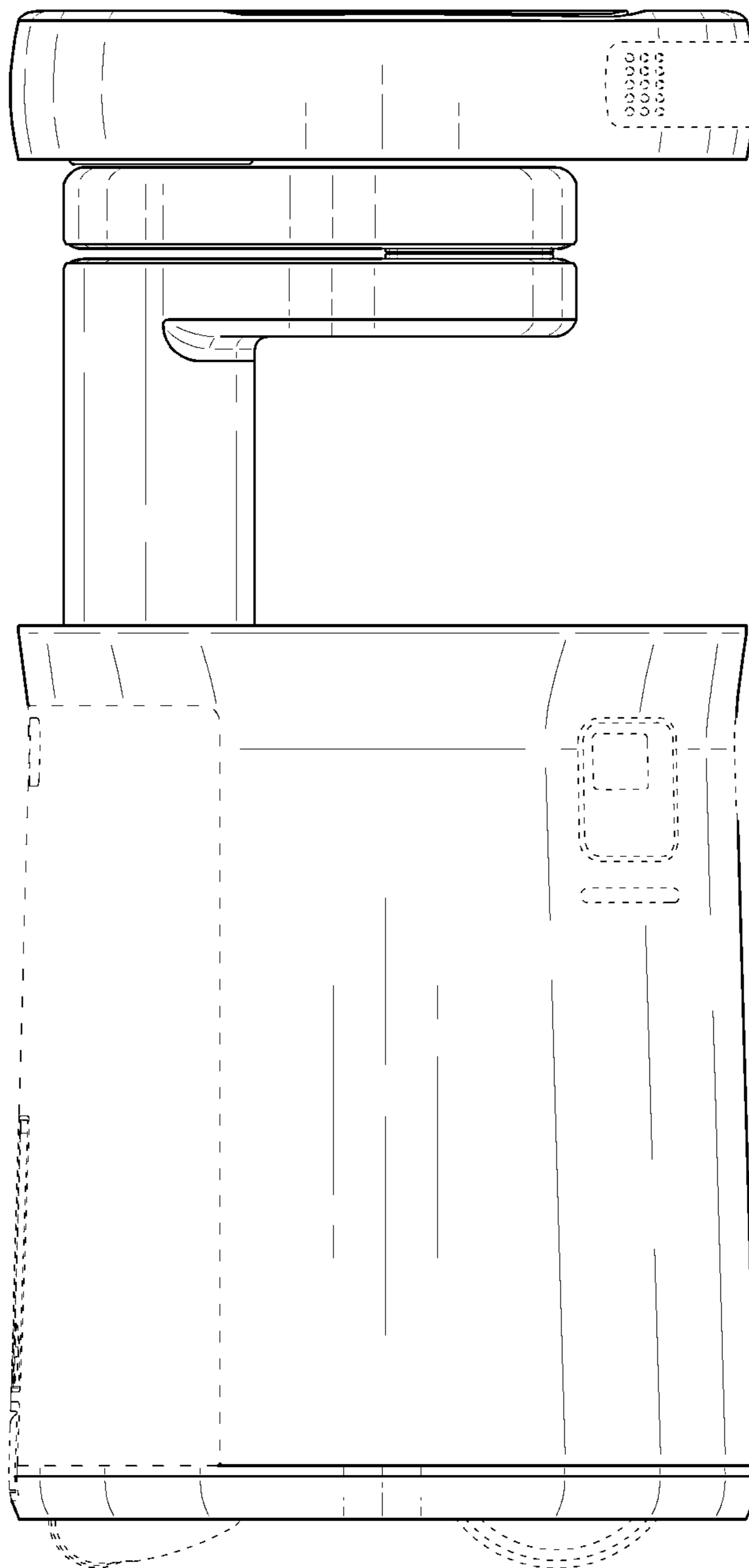


FIG. 5

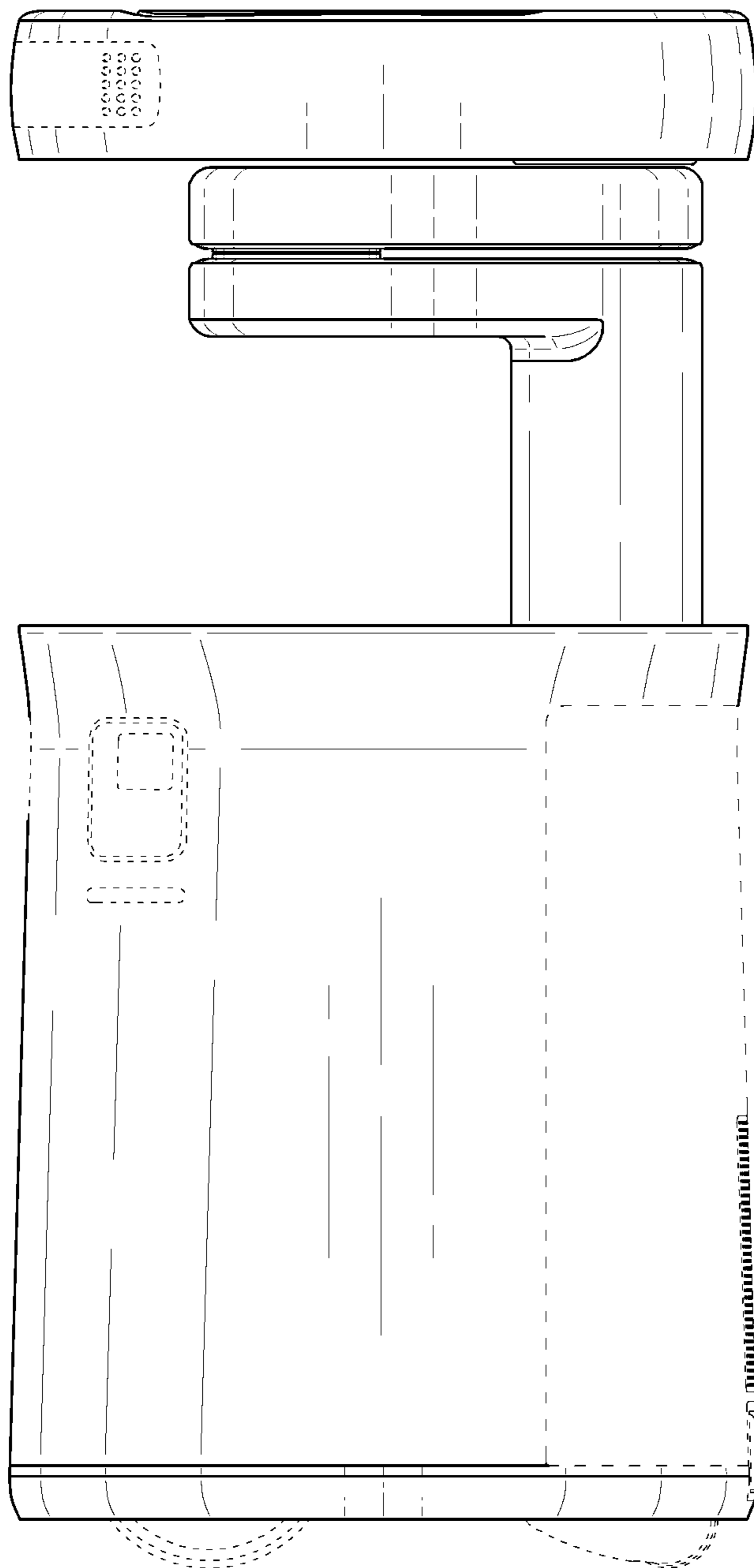


FIG. 6

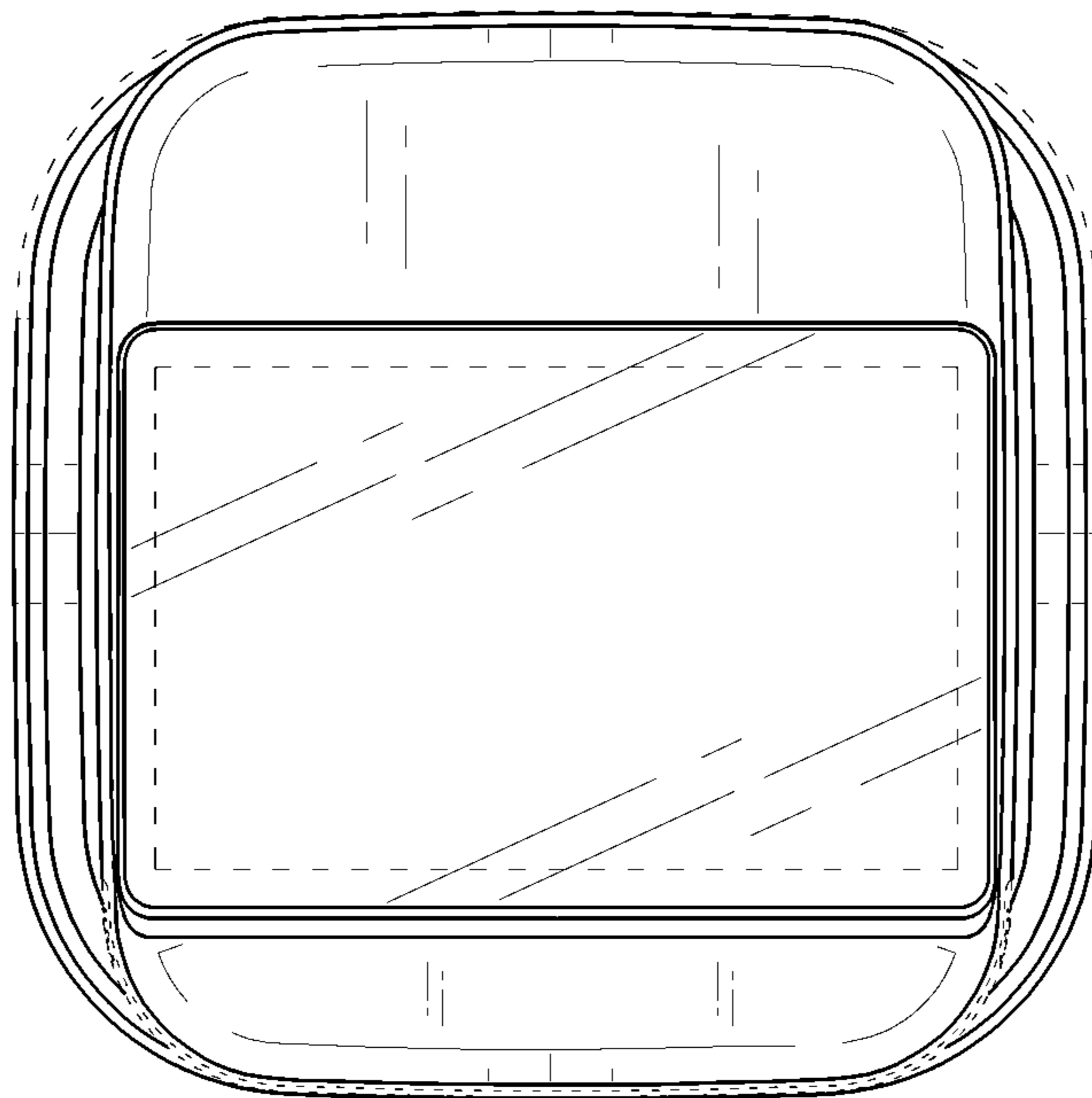


FIG. 7

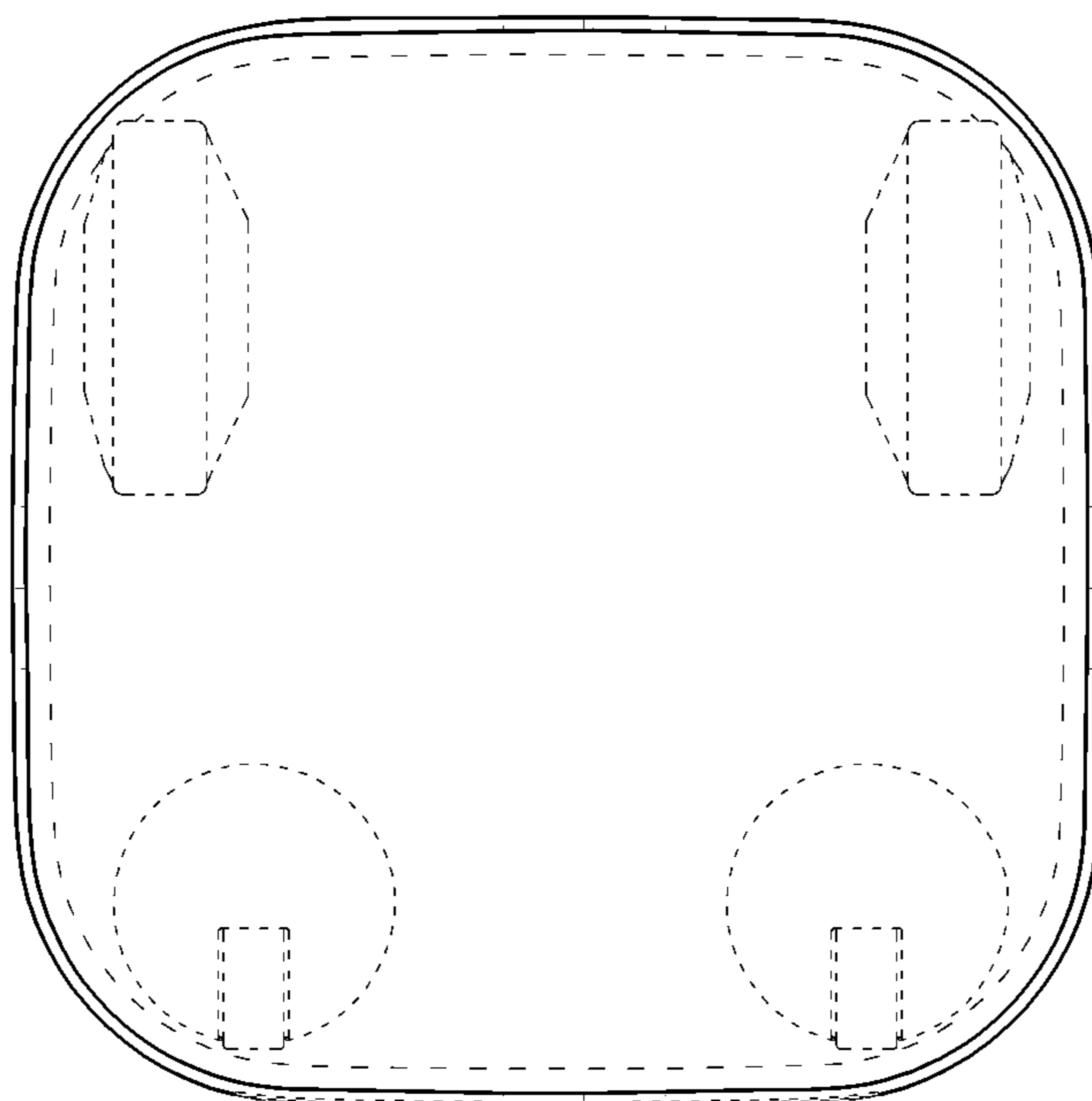


FIG. 8

