

US00D970569S

(12) **United States Design Patent**  
**Zeng**

(10) **Patent No.:** **US D970,569 S**

(45) **Date of Patent:** **\*\* Nov. 22, 2022**

(54) **HEAT SEALER**

(71) Applicant: **SHENZHEN YIZE INNOVATION TECHNOLOGY CO., LTD.**, Shenzhen (CN)

(72) Inventor: **Dewen Zeng**, Shenzhen (CN)

(73) Assignee: **SHENZHEN YIZE INNOVATION TECHNOLOGY CO., LTD.**, Shenzhen (CN)

(\*\*) Term: **15 Years**

(21) Appl. No.: **29/823,960**

(22) Filed: **Jan. 20, 2022**

(30) **Foreign Application Priority Data**

Aug. 5, 2021 (CN) ..... 202130506080.9

(51) **LOC (13) Cl.** ..... **15-99**

(52) **U.S. Cl.**  
USPC ..... **D15/146**

(58) **Field of Classification Search**  
USPC ..... D7/336, 337, 352, 356, 362, 602;  
D15/122, 123, 144, 145, 146; D18/50,  
D18/53; D14/155, 167, 203.1, 203.3,  
D14/203.6, 203.7; D9/434, 436; D8/51  
CPC .. B41F 16/00; B41F 16/0026; B41F 16/0093;  
B41F 1/38; B30B 15/047; B30B 15/061;  
B30B 15/064; B30B 15/34; B44C 1/1712;  
B29C 66/43121; B29C 66/849; B29C  
66/8324; B29C 65/226; B29C 66/8221;  
B29C 66/861; B65B 31/048  
See application file for complete search history.

(56) **References Cited**

**U.S. PATENT DOCUMENTS**

D302,102 S \* 7/1989 Amagaya ..... D19/65  
D330,914 S \* 11/1992 Muller ..... D19/83

D436,130 S \* 1/2001 Leins ..... D19/65  
D475,996 S \* 6/2003 Skulley ..... D14/240  
D496,653 S \* 9/2004 Townsend ..... D14/240  
D526,857 S \* 8/2006 Littmann ..... D7/629  
D528,137 S \* 9/2006 Huang ..... D15/146  
D579,034 S \* 10/2008 Chang ..... D15/146  
D593,586 S \* 6/2009 Hashimoto et al.  
D733,888 S \* 7/2015 Tuhkanen ..... D24/167  
D744,110 S \* 11/2015 Kubo ..... D24/186  
D793,995 S \* 8/2017 Nakagawa ..... D14/218  
D802,454 S \* 11/2017 Paschke ..... D10/70

(Continued)

**OTHER PUBLICATIONS**

ODSD, Mini Bag Sealer, (first available Jan. 6, 2022), Amazon.com,  
URL:<<https://www.amazon.com/dp/B09PV9KMD2>> (Year: 2022).\*

(Continued)

*Primary Examiner* — Calvin E Vansant  
*Assistant Examiner* — Mark T. Philipps

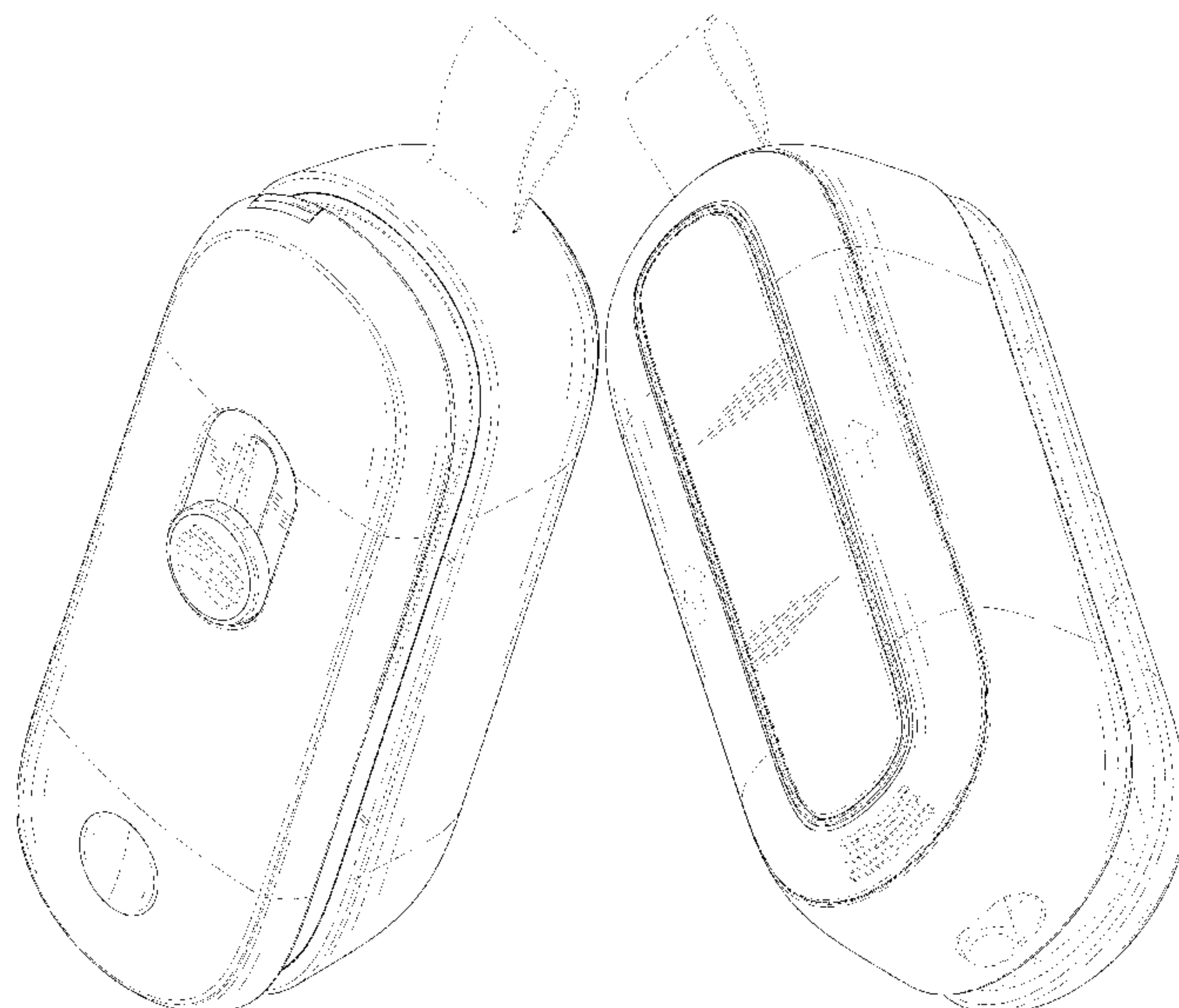
(57) **CLAIM**

The ornamental design for a heat sealer, as shown and described.

**DESCRIPTION**

FIG. 1 is a perspective view of a heat sealer showing my new design;  
FIG. 2 is another perspective view thereof;  
FIG. 3 is a front elevational view thereof;  
FIG. 4 is a rear elevational view thereof;  
FIG. 5 is a left side elevational view thereof;  
FIG. 6 is a right side elevational view thereof;  
FIG. 7 is a top plan view thereof;  
FIG. 8 is a bottom plan view thereof; and,  
FIG. 9 is a perspective view of the heat sealer where the heat sealer is in a configuration of use.  
The broken lines in the drawings depict portions of the heat sealer that form no part of the claimed design.

**1 Claim, 9 Drawing Sheets**



(56)

**References Cited**

U.S. PATENT DOCUMENTS

D819,619	S *	6/2018	Li	.....	D14/240
D823,913	S *	7/2018	Chou	.....	D15/146
D823,914	S *	7/2018	Chang	.....	D15/146
D825,356	S *	8/2018	Yu	.....	D10/70
D839,416	S *	1/2019	Wohlfahrt	.....	D24/112
D871,055	S *	12/2019	Fornarelli	.....	D3/203.3
D871,383	S *	12/2019	Lee	.....	D14/240
D877,214	S *	3/2020	Crisp	.....	D15/127
D912,712	S *	3/2021	Chen	.....	D15/146
D948,588	S *	4/2022	Li	.....	D15/146
2007/0193915	A1 *	8/2007	Shao	.....	B65D 85/50 206/524.8
2009/0020230	A1 *	1/2009	Chang	.....	B29C 66/8416 156/579

OTHER PUBLICATIONS

Kavolet, Mini Bag Sealer, (site visited Aug. 5, 2022), Amazon.com, URL:<<https://www.amazon.com/dp/B0B2DBF2F7>> (Year: 2022).\*

Asterion, Bag Sealer, (first available Jul. 11, 2022), Amazon.com, URL:<<https://www.amazon.com/dp/B0B67MTQF3>> (Year: 2022).\*

Micrael Home, 2-in-1 Mini Bag Sealer, (site visited Aug. 5, 2022), Amazon.com, URL:<<https://www.amazon.com/dp/B09T5ZHMGF>> (Year: 2022).\*

Romosto, Mini Bag Sealer, (first available Mar. 3, 2022), Amazon.com, URL:<<https://www.amazon.com/Romsto-Handheld-Portable-Freshness-Batteries/dp/B09TT2GLJ9>> (Year: 2022).\*

Coolwin, Mini Bag Sealer, (first available Jan. 13, 2022), Amazon.com, URL:<<https://www.amazon.com/dp/B0B7K9JLWL>> (Year: 2022).\*

\* cited by examiner

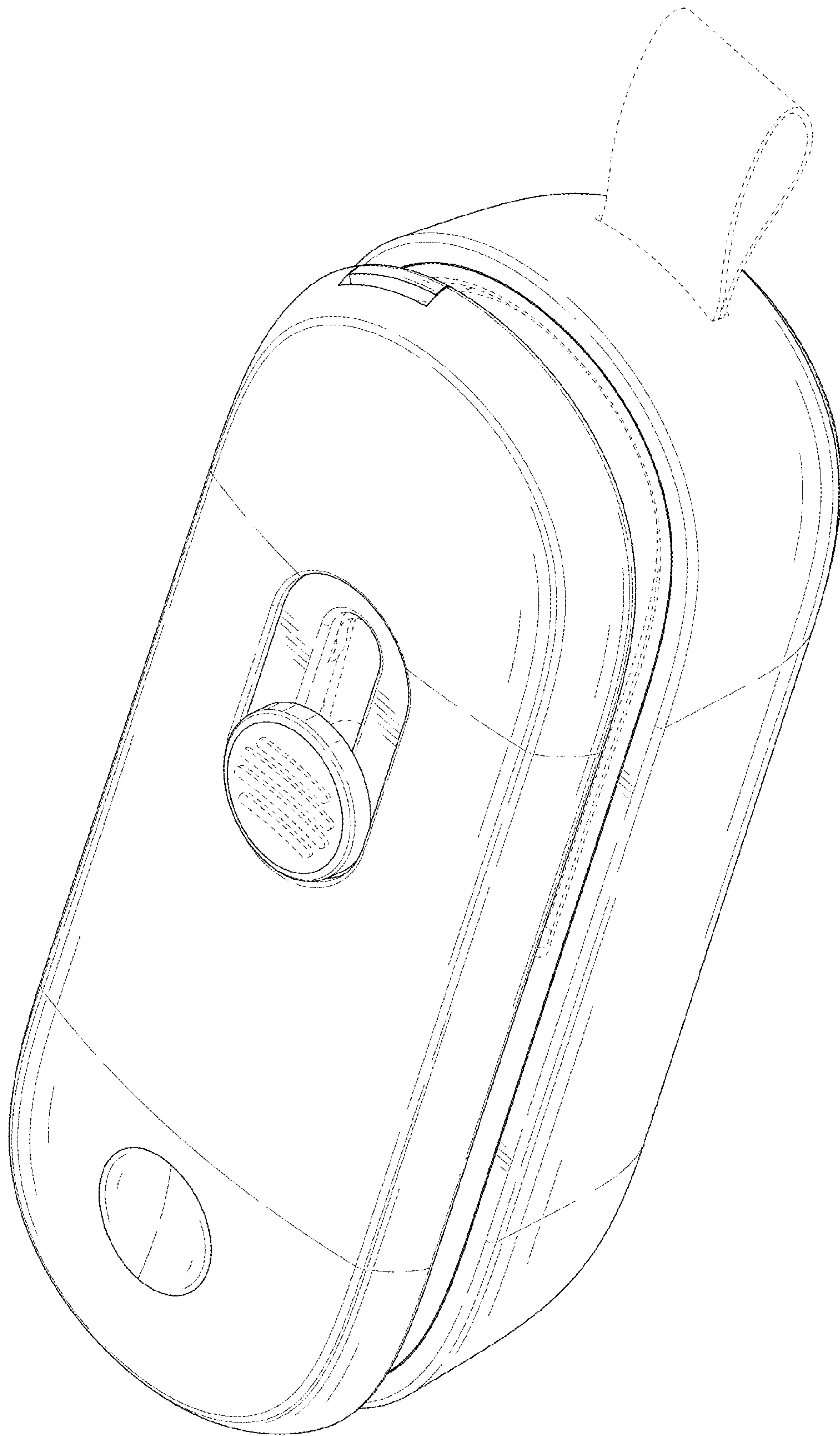


FIG. 1



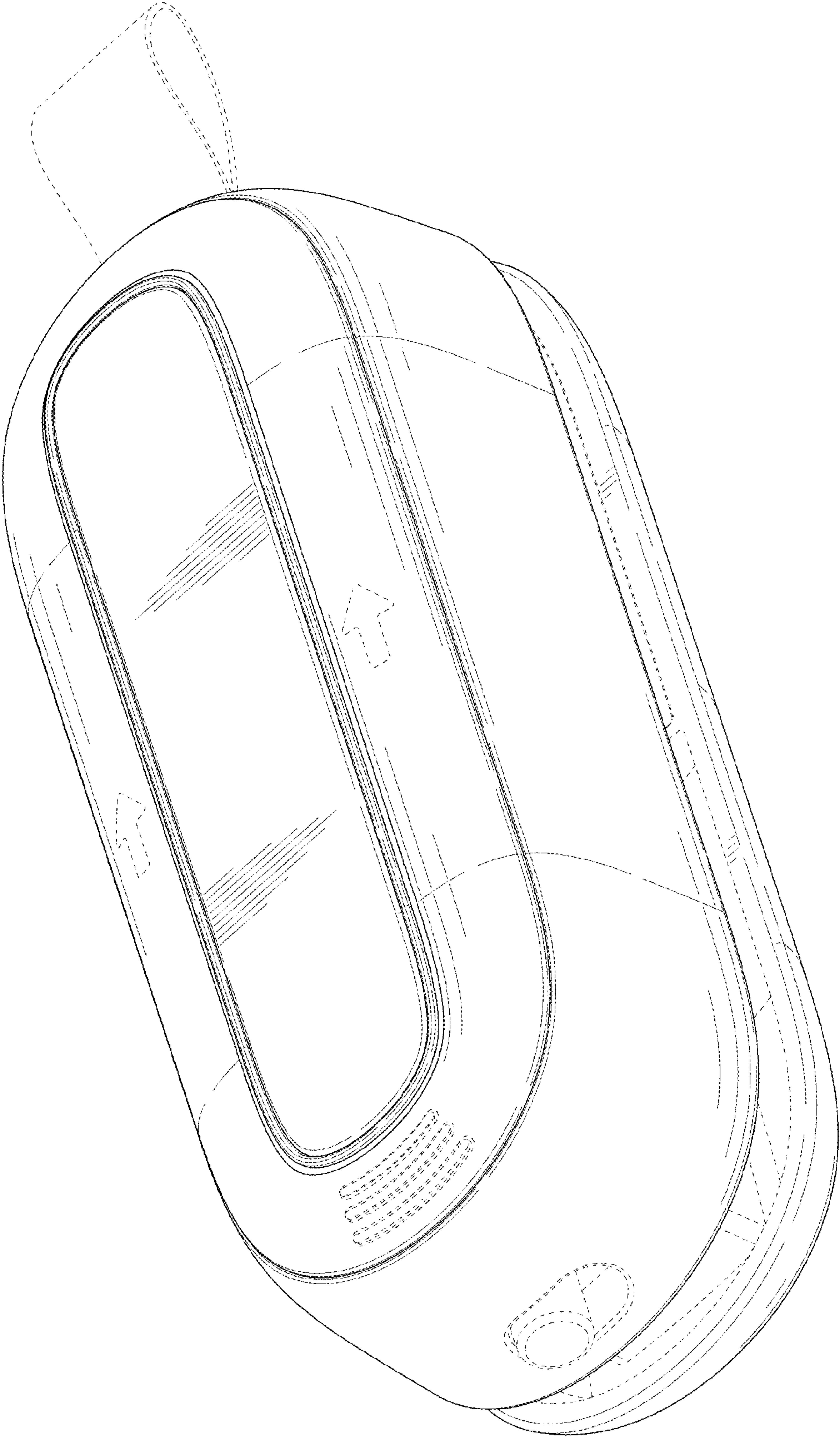


FIG. 2

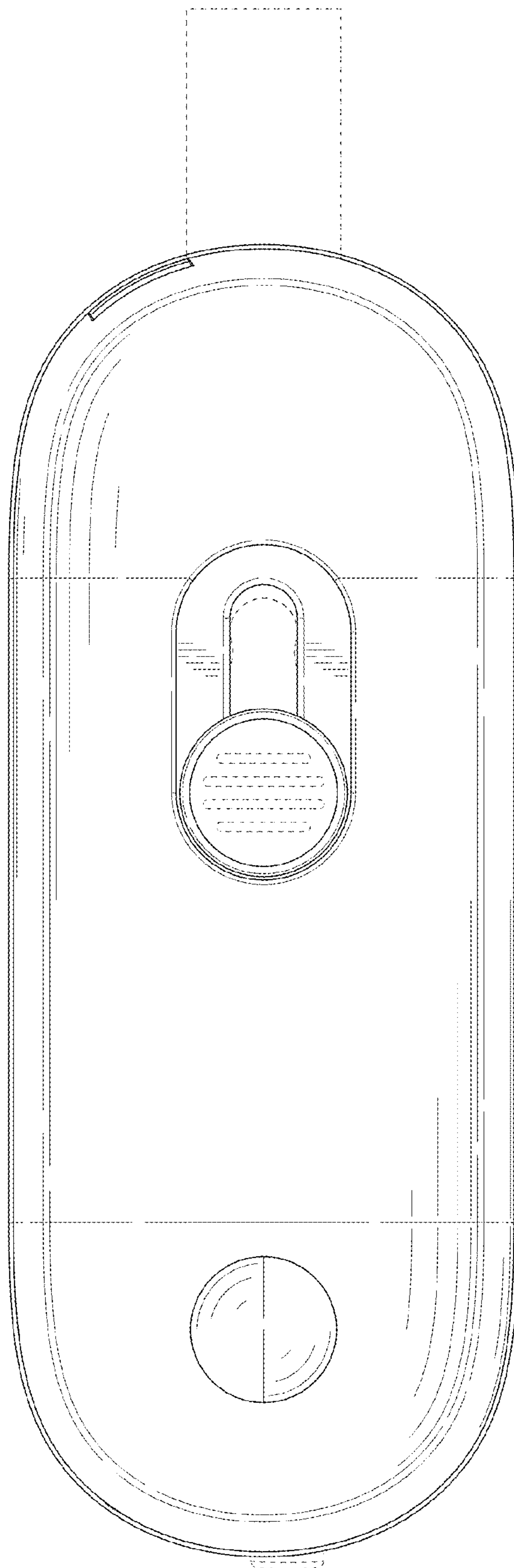


FIG. 3

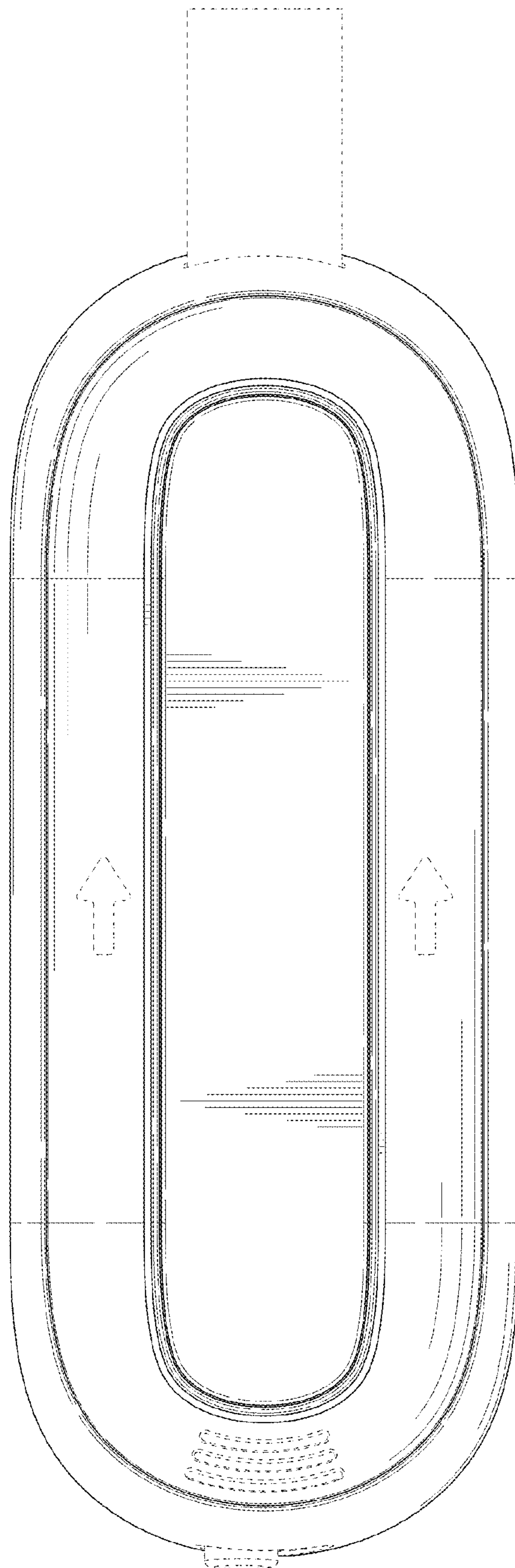


FIG. 4

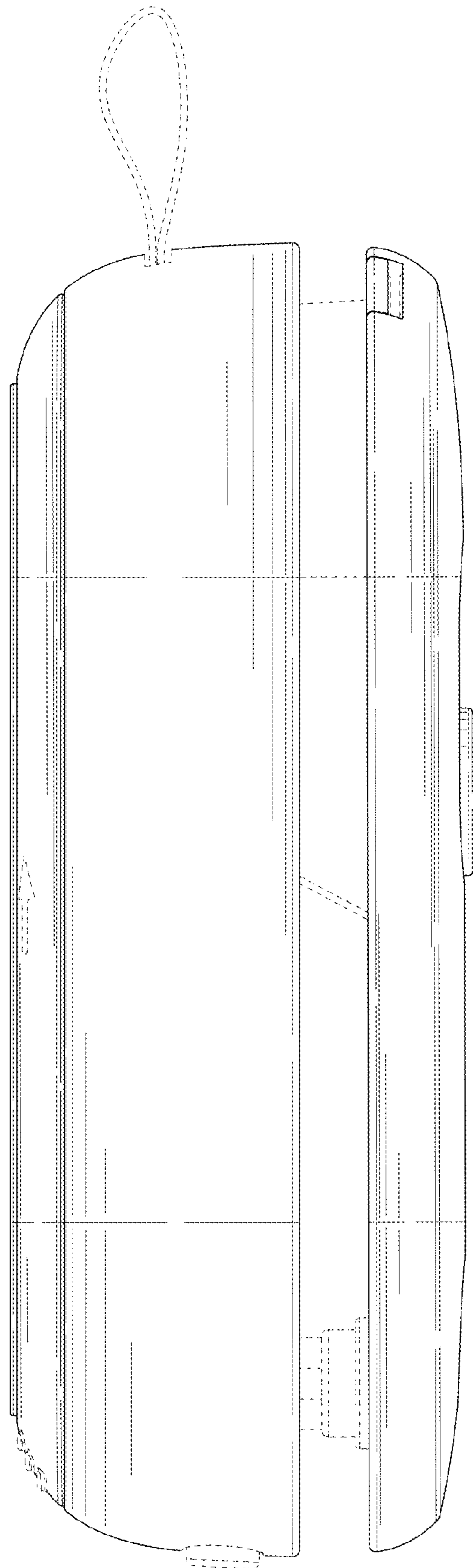


FIG. 5

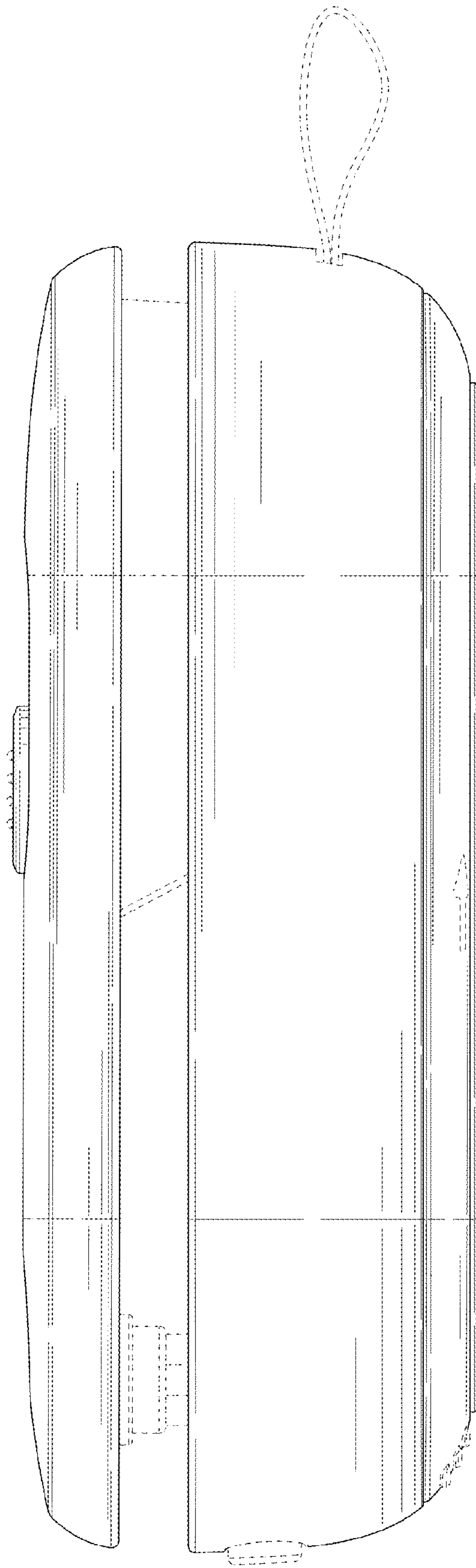


FIG. 6



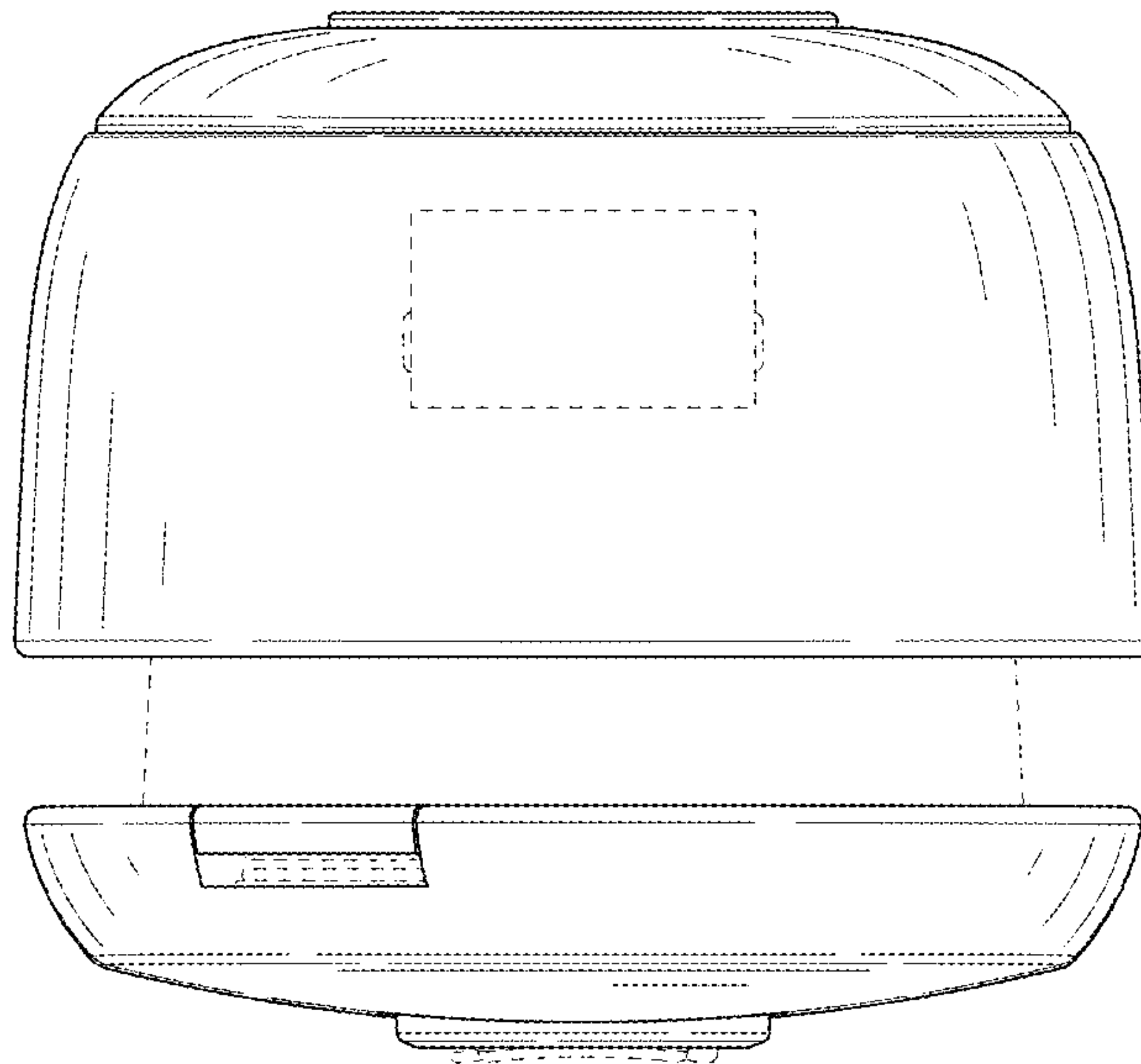


FIG. 7

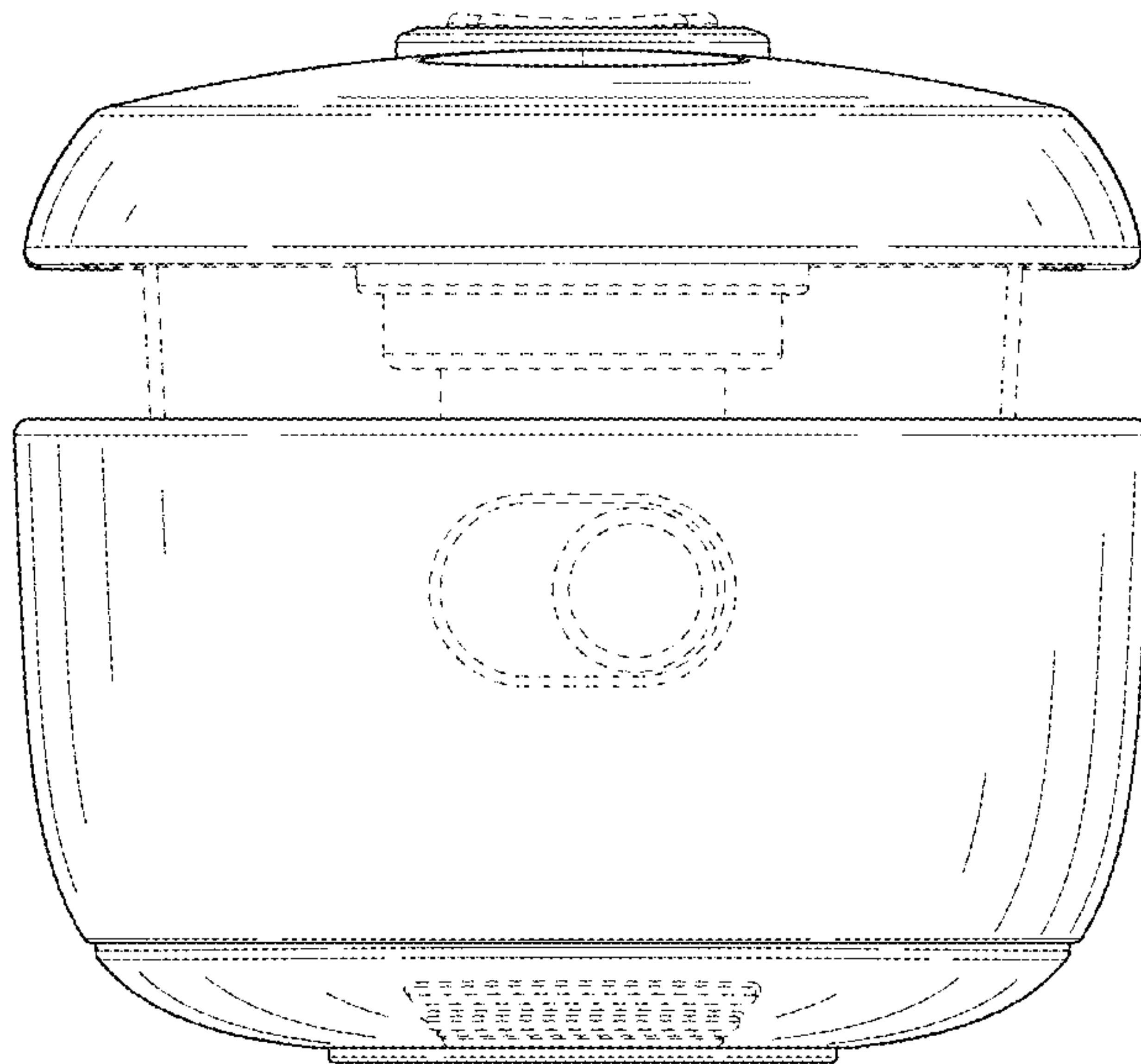


FIG. 8

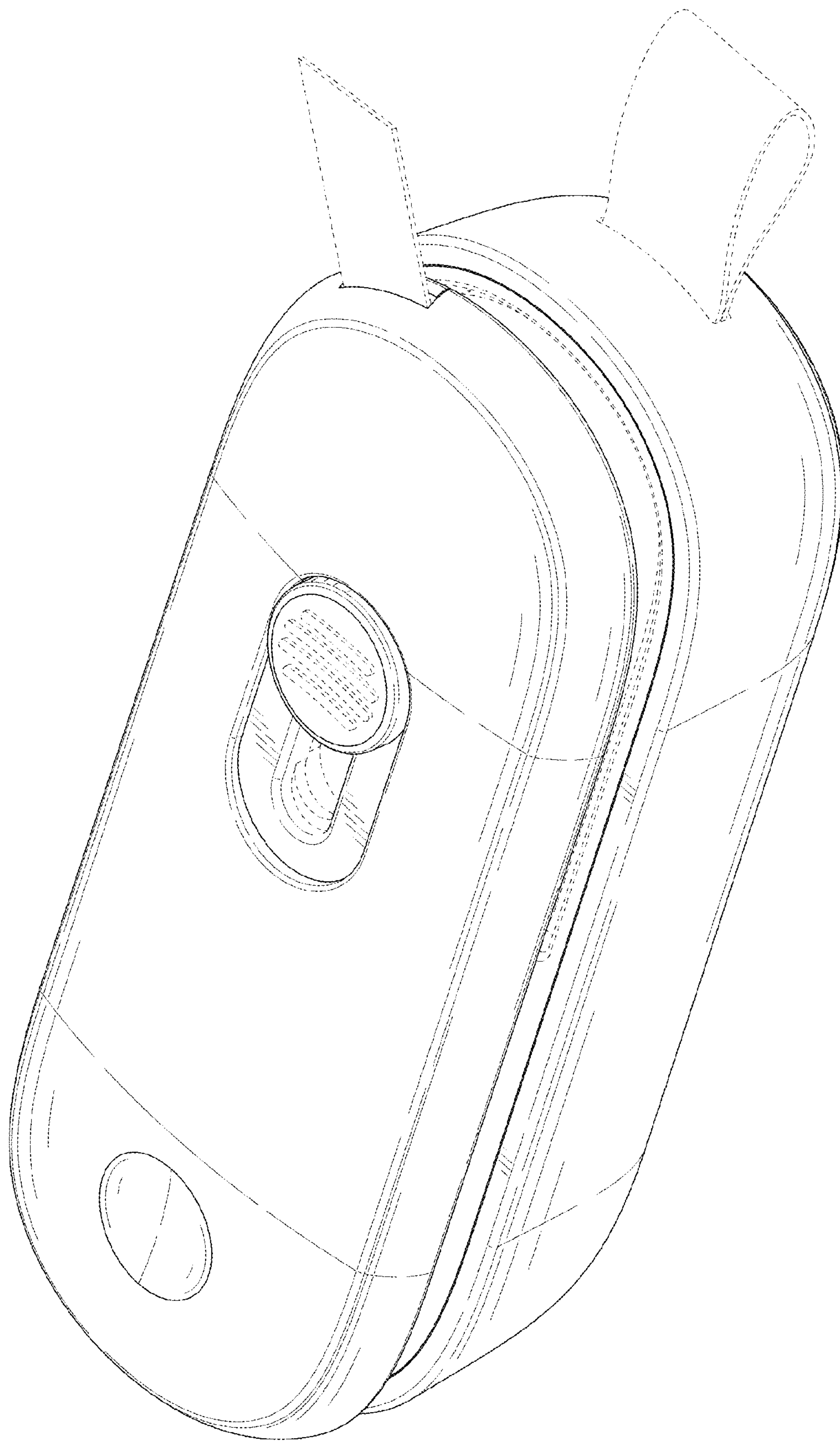


FIG. 9