



US00D970568S

(12) **United States Design Patent**
Ruan

(10) **Patent No.:** **US D970,568 S**
(45) **Date of Patent:** **** Nov. 22, 2022**

(54) **PROPANE MELTING FURNACE**
(71) Applicant: **NINGBO CYANBULLS INDUSTRY & TRADE CO., LTD.**, Ningbo (CN)
(72) Inventor: **Miaojian Ruan**, Ningbo (CN)
(73) Assignee: **NINGBO CYANBULLS INDUSTRY & TRADE CO., LTD.**, Ningbo (CN)
(**) Term: **15 Years**

D948,120 S * 4/2022 Liu D28/44.1
2006/0121404 A1* 6/2006 Alipour F27D 9/00
432/156
2010/0301073 A1* 12/2010 Kim B22D 41/14
222/597

(Continued)

FOREIGN PATENT DOCUMENTS

CN 306655615 * 7/2021
CN 307403583 * 6/2022

OTHER PUBLICATIONS

Gongyi, 6KG Propane Melting Furnace Kit, (first available Aug. 30, 2021), Amazon.com, URL:<<https://www.amazon.com/Propane-Melting-Stainless-Smelting-Crucible/dp/B09DZ3C5K9>> (Year: 2021).*

(Continued)

Primary Examiner — Calvin E Vansant
Assistant Examiner — Mark T. Philipps

(21) Appl. No.: **29/811,975**
(22) Filed: **Oct. 18, 2021**
(51) **LOC (13) Cl.** **15-09**
(52) **U.S. Cl.**
USPC **D15/144.2**
(58) **Field of Classification Search**
USPC D15/122, 135, 136, 144, 144.1–144.2;
D7/323, 354–360, 391
CPC C22C 1/02; C21D 9/70; C21D 1/34; C03B
5/193; C03B 5/00; B22D 41/00; B22D
41/015; B22D 41/12; B22D 39/06; B22D
41/05; B22D 35/00; B22D 17/30; A47J
27/002; A47J 27/004; A47J 37/1257;
A47J 37/0629

See application file for complete search history.

(57) **CLAIM**

The ornamental design for a propane melting furnace, as shown and described.

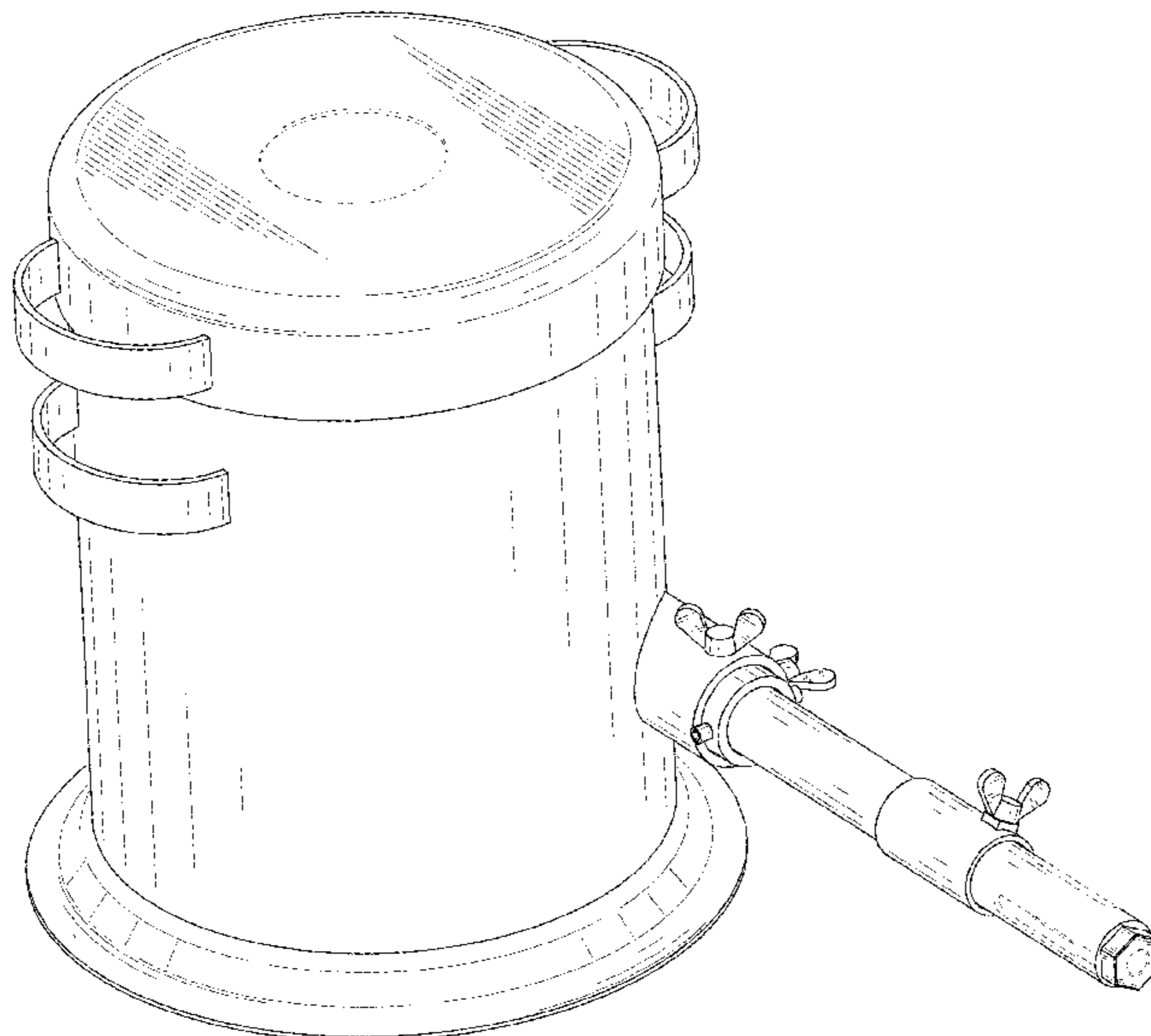
DESCRIPTION

FIG. 1 is a perspective view of a propane melting furnace showing my new design;
FIG. 2 is another perspective view thereof;
FIG. 3 is a front elevational view thereof;
FIG. 4 is a rear elevational view thereof;
FIG. 5 is a left side elevational view thereof;
FIG. 6 is a right side elevational view thereof;
FIG. 7 is a top plan view thereof; and,
FIG. 8 is a bottom plan view thereof.
The broken lines in the drawings depict portions of the propane melting furnace that form no part of the claimed design.

(56) **References Cited**
U.S. PATENT DOCUMENTS

D477,497 S 7/2003 Monguilod
D484,897 S * 1/2004 Hohenshelt D15/144.1
D492,881 S * 7/2004 Bodum D7/360
D529,058 S * 9/2006 Aoki D15/144.1
D563,719 S * 3/2008 Fitzgerald D7/356
D615,656 S * 5/2010 Leitl D24/176
D659,231 S * 5/2012 Ueda D23/314
D834,694 S * 11/2018 Walter D23/366
D839,327 S * 1/2019 Kodama D15/144
D896,018 S 9/2020 Harrell et al.
D926,241 S * 7/2021 Li D15/144.1

1 Claim, 8 Drawing Sheets



(56)

References Cited

U.S. PATENT DOCUMENTS

2021/0138539 A1* 5/2021 Kulawik B22D 41/00

OTHER PUBLICATIONS

Gongyi, 10KG-12KG Large Capacity Deluxe Kit Propane Melting Furnace Smelter, (first available Sep. 7, 2021), Amazon.com, URL:<<https://www.amazon.com/GONGYI-10KG-12KG-Stainless-Aluminum-Crucible/dp/B09FLFMRR5>> (Year: 2021).*

Castmaster, USA Cast Masters 10-12 KG Large Capacity Propane Furnace Deluxe KIT, (first available Aug. 7, 2020), Amazon.com, URL:<<https://www.amazon.com/Masters-CAPACITY-Crucible-Smelting-KILOGRAM/dp/B08FF3HCLZ>> (Year: 2020).*

HAQQI, Commercial Melter Candles Machine Automatic Electric Stainless Steel 28L, (first available Sep. 23, 2021), Amazon.com, URL:<<https://www.amazon.com/dp/B09GYBD6VS>> (Year: 2021).*

* cited by examiner

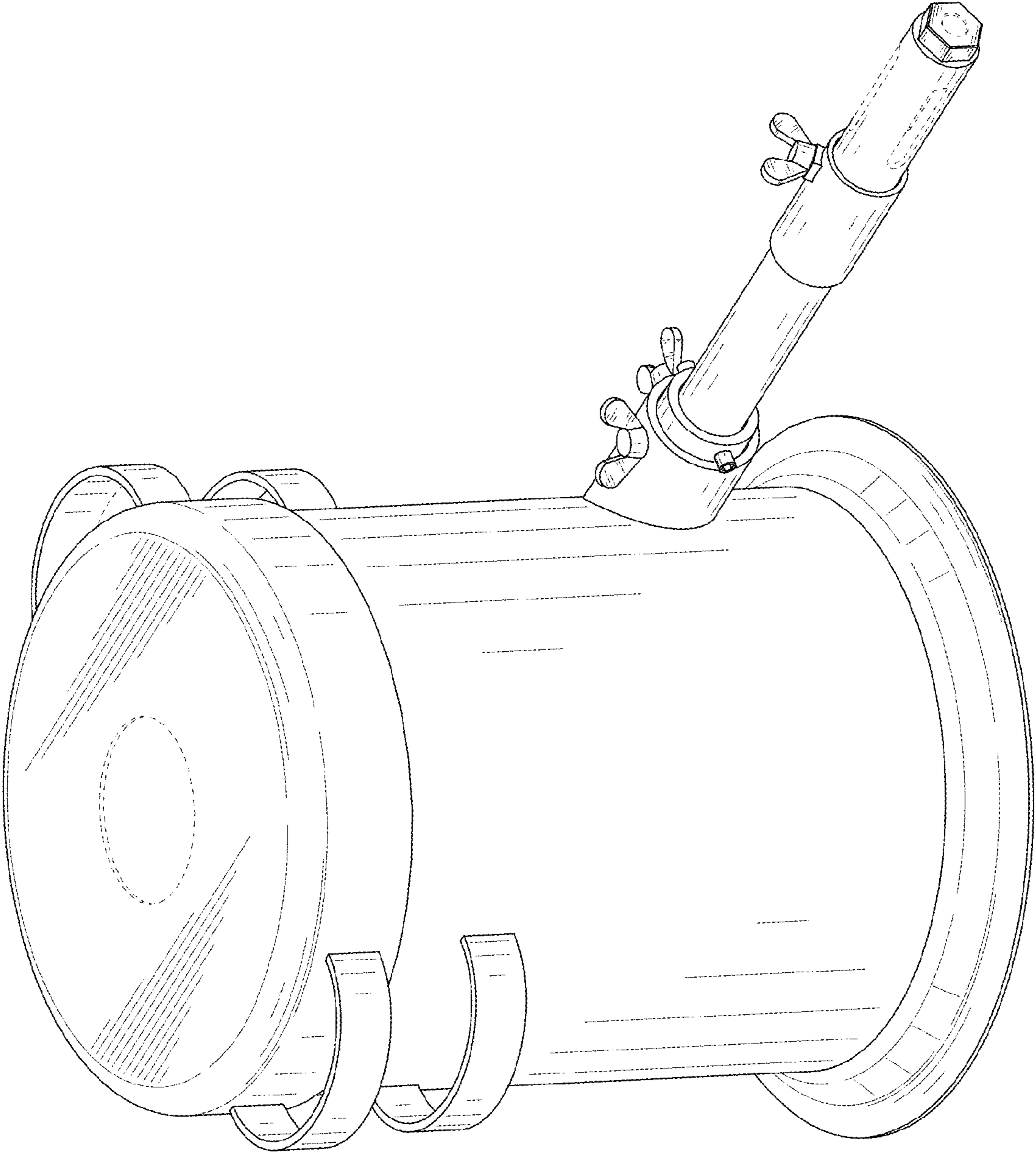


FIG. 1

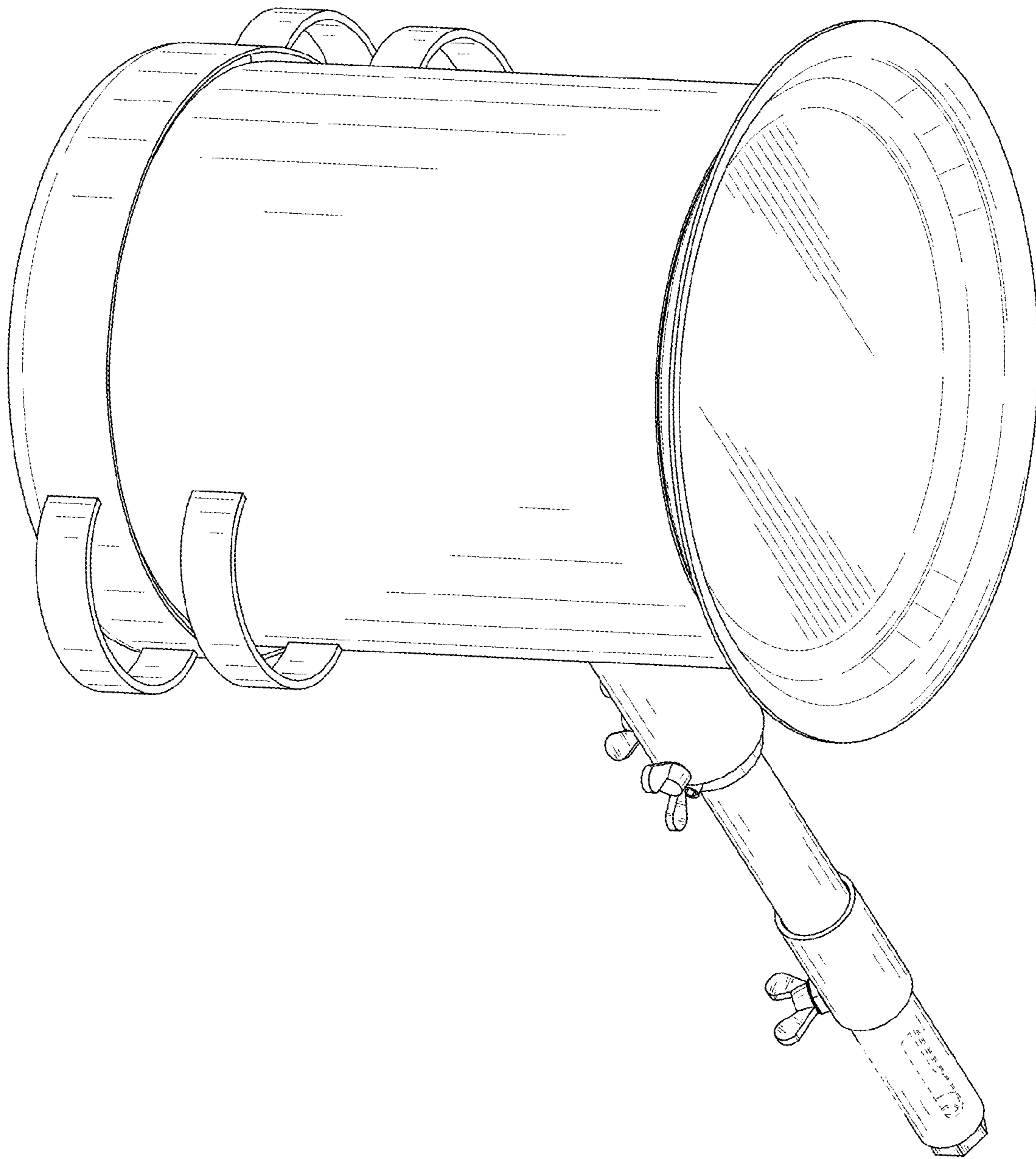


FIG. 2

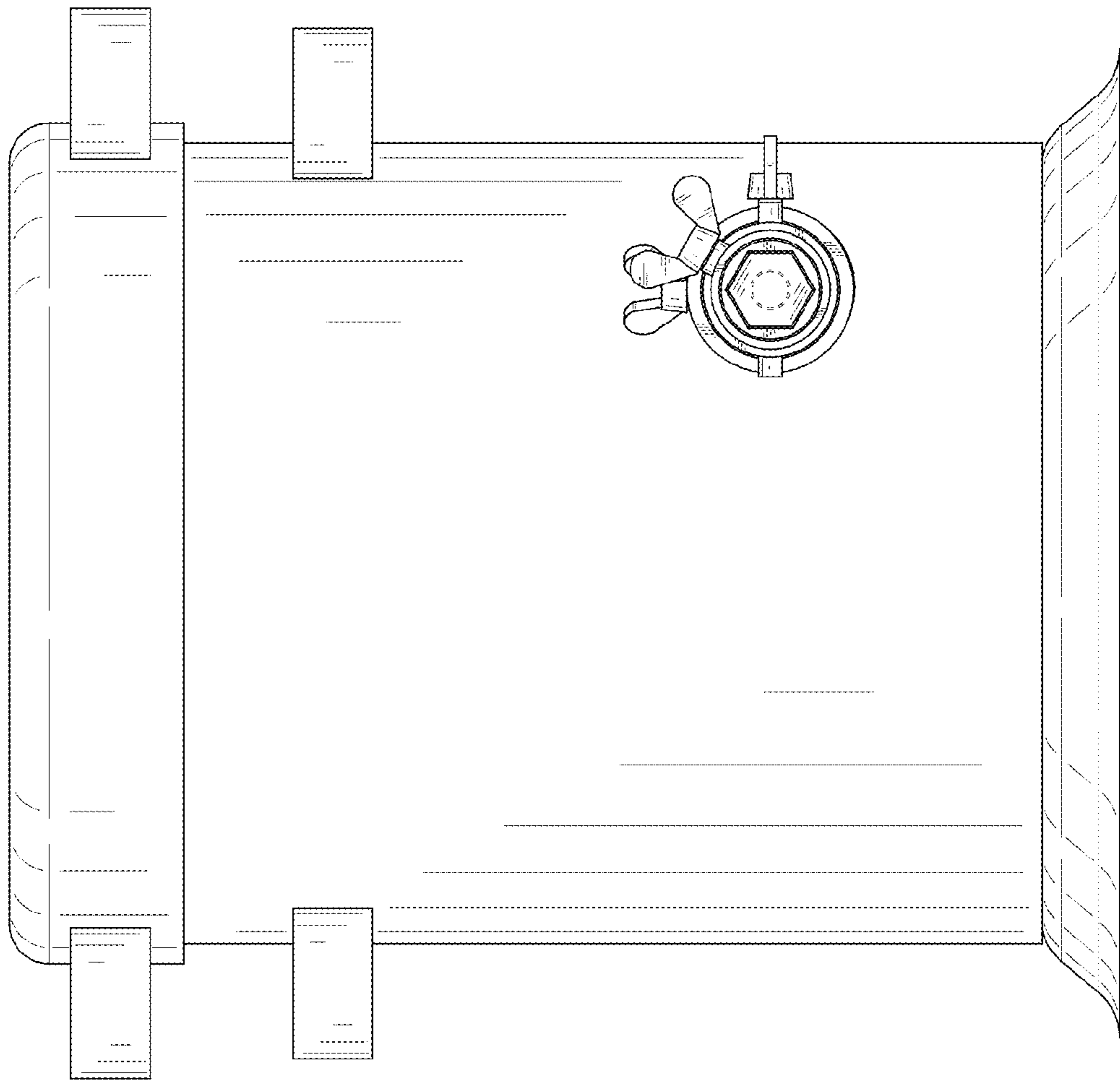


FIG. 3

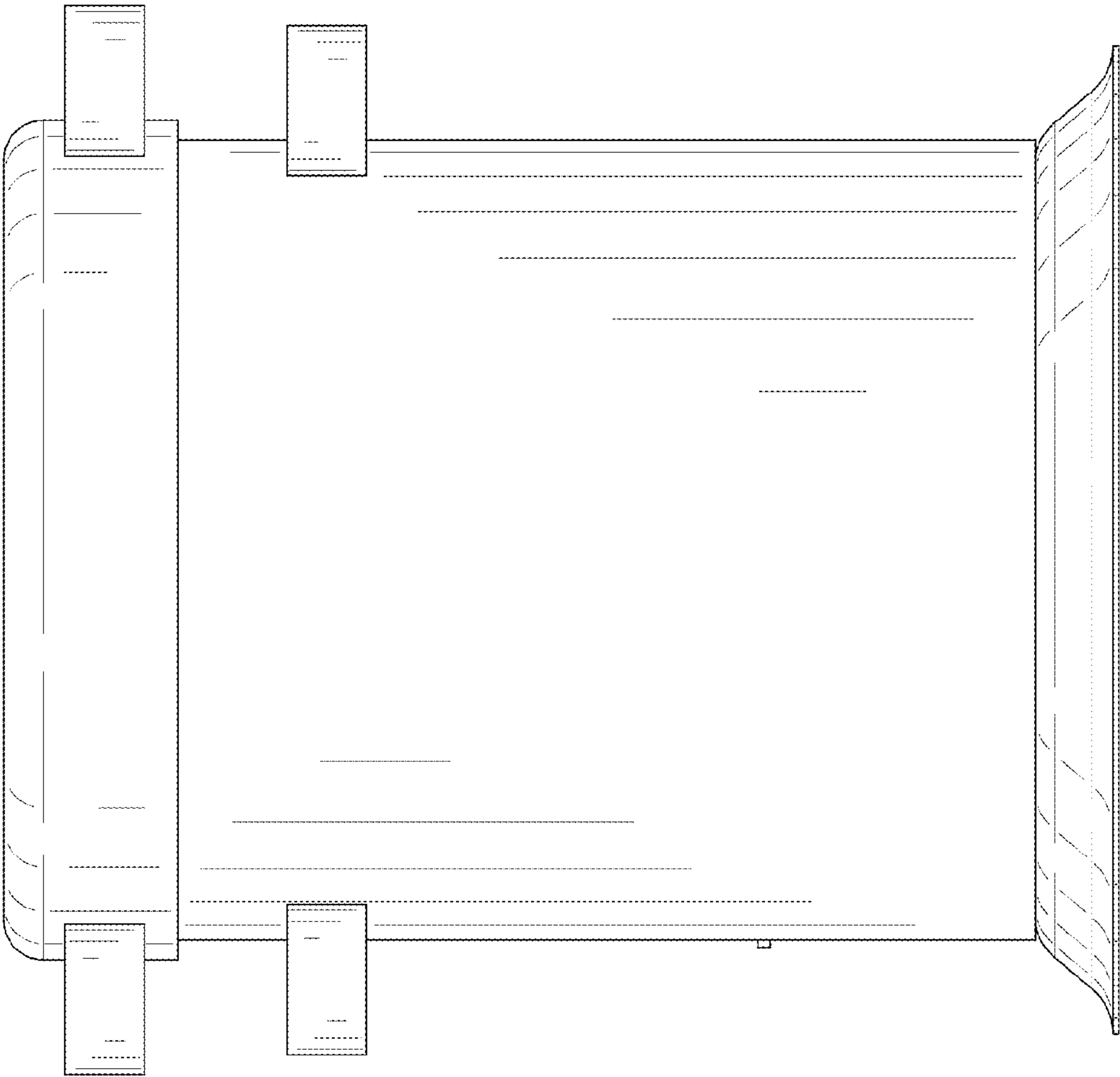


FIG. 4

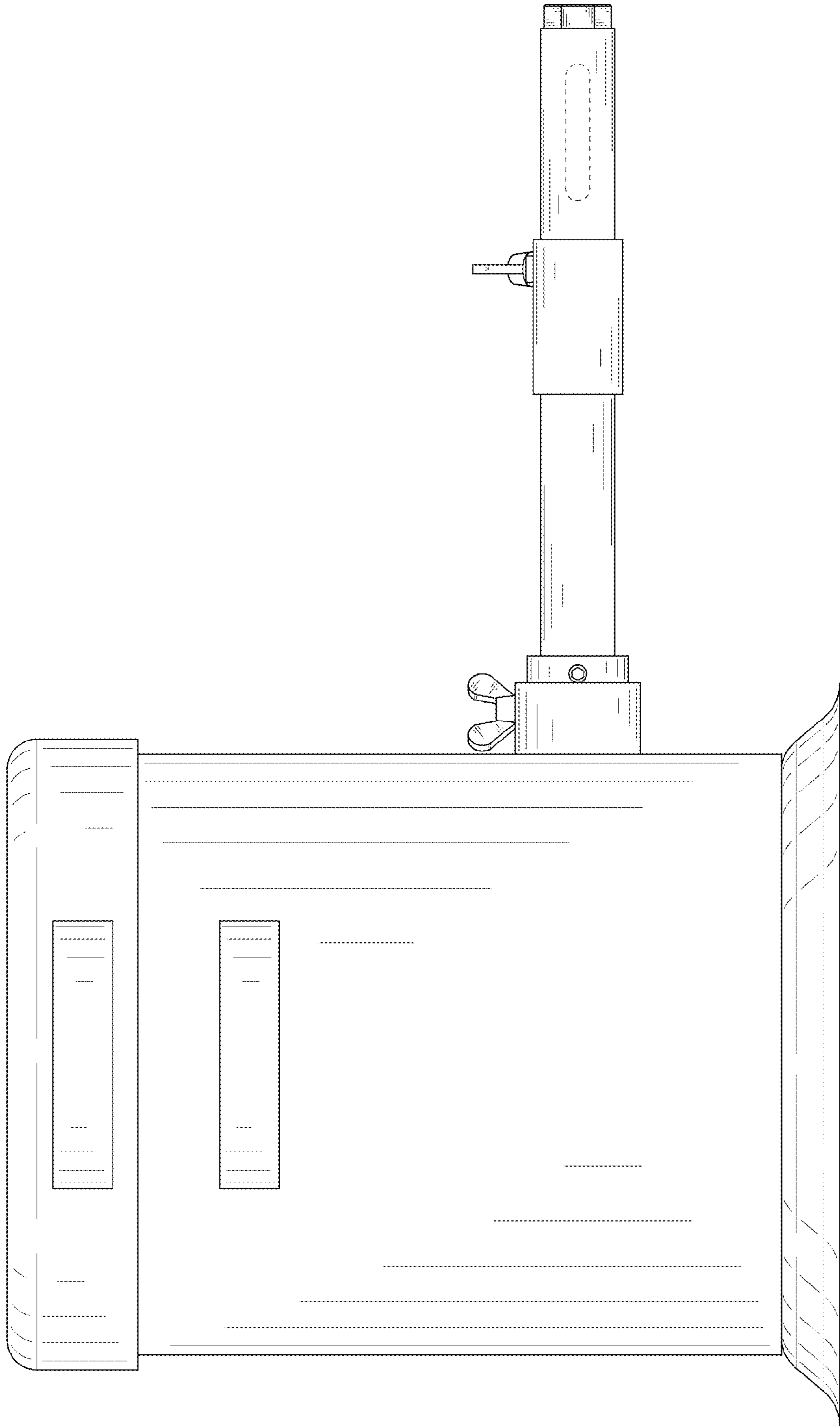


FIG. 5

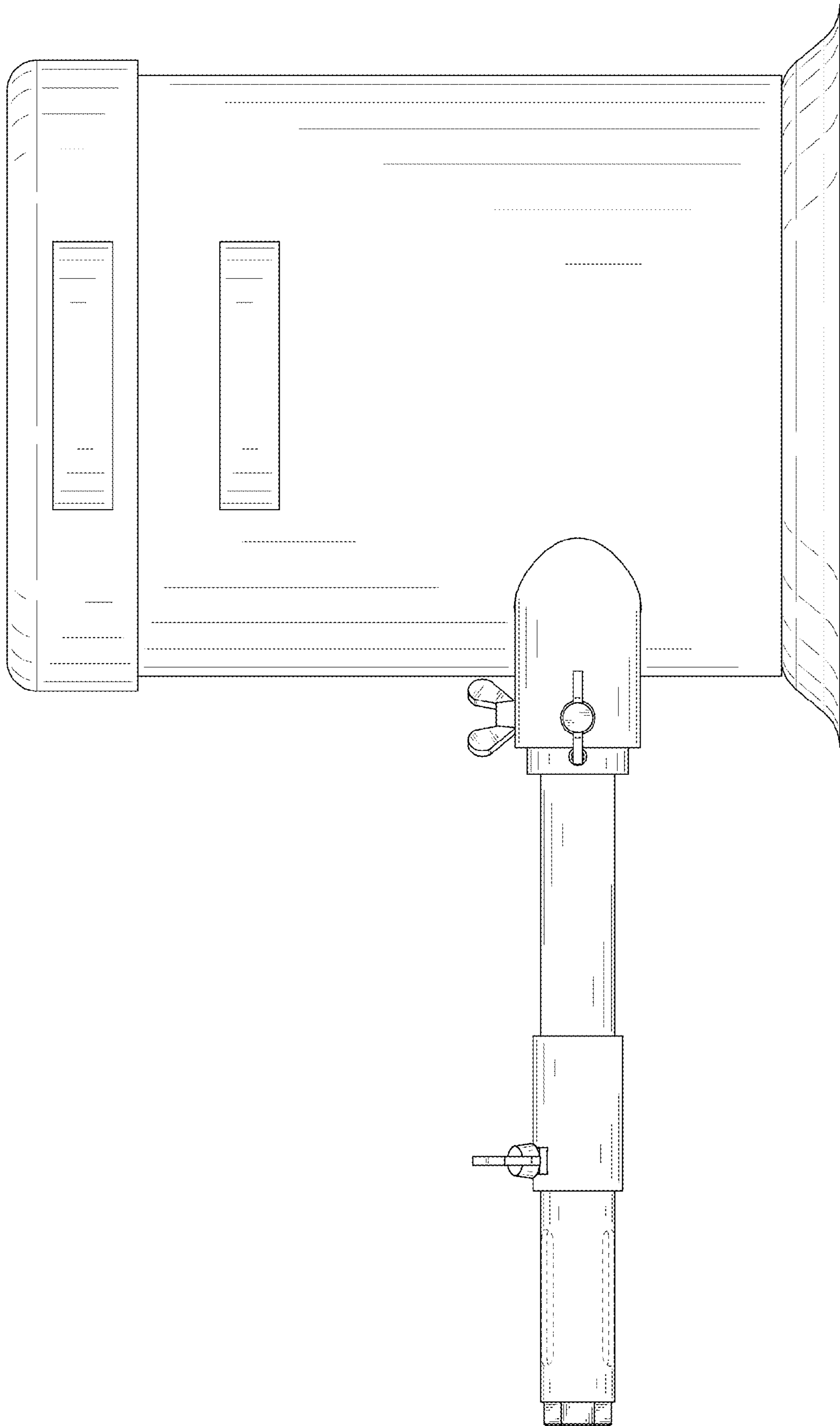


FIG. 6

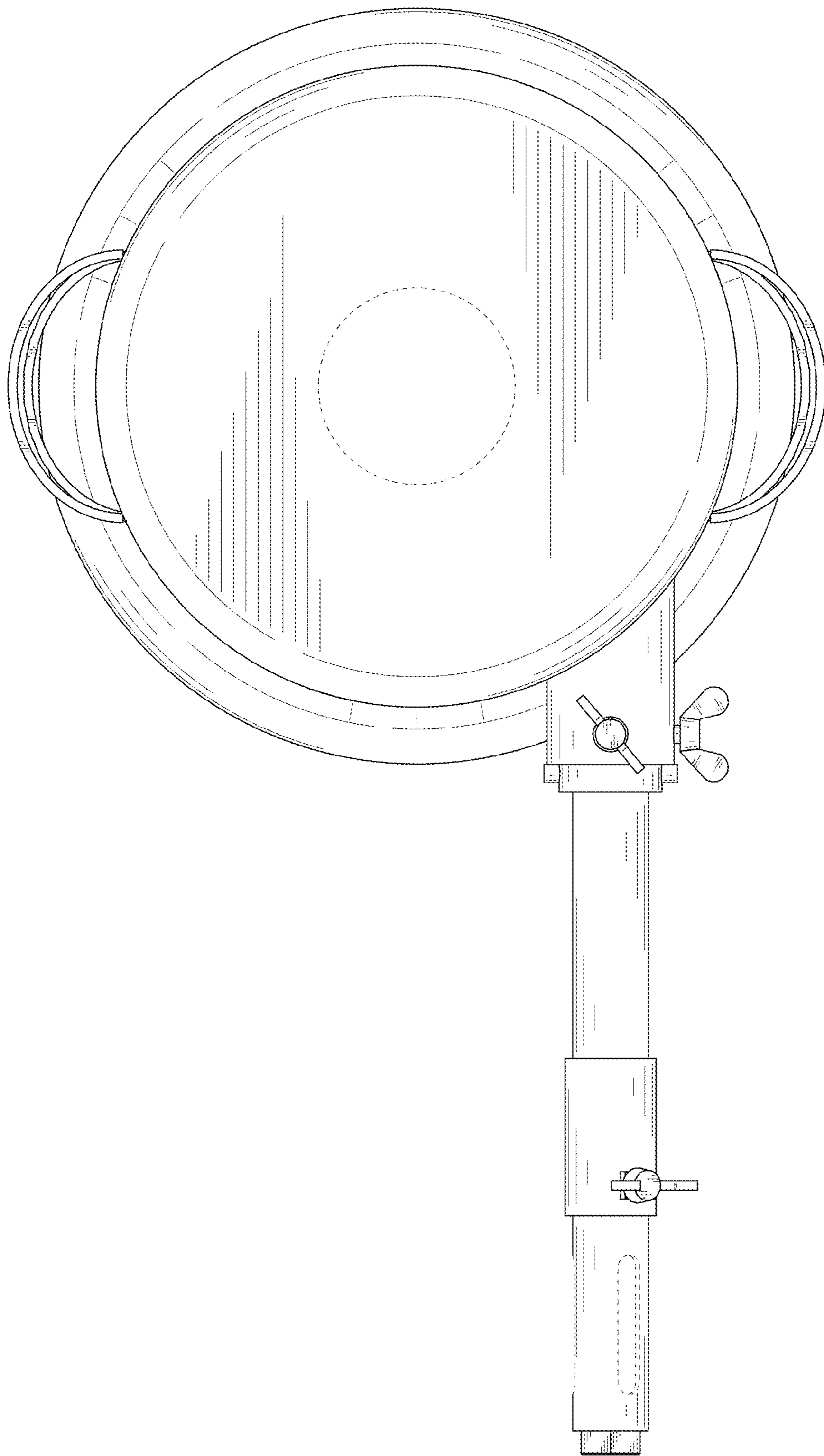


FIG. 7

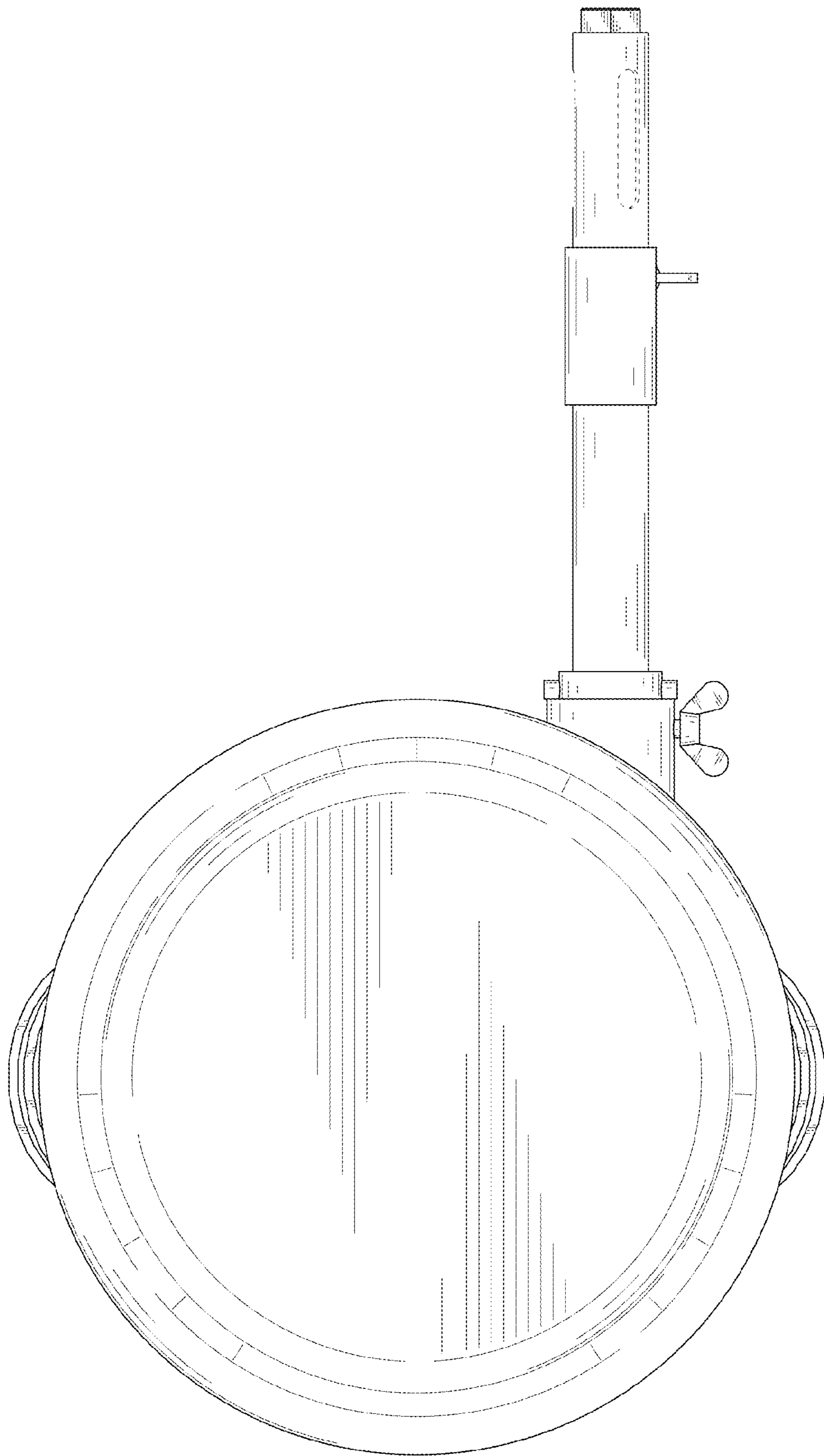


FIG. 8