



US00D970567S

(12) **United States Design Patent**
Wachsmann

(10) **Patent No.:** **US D970,567 S**

(45) **Date of Patent:** **** Nov. 22, 2022**

(54) **MILLING BIT HOLDER**

(71) Applicant: **BOMAG GmbH**, Boppard (DE)

(72) Inventor: **Steffen Wachsmann**, Koblenz (DE)

(73) Assignee: **BOMAG GmbH**, Boppard (DE)

(**) Term: **15 Years**

(21) Appl. No.: **29/777,418**

(22) Filed: **Apr. 6, 2021**

(51) **LOC (13) Cl.** **15-09**

(52) **U.S. Cl.**
USPC **D15/140; D15/131; D8/71**

(58) **Field of Classification Search**
USPC D8/70, 71; D15/126, 131, 132, 138, 139,
D15/140

CPC B23G 5/182; Y10T 407/1906; Y10T
407/2266; Y10T 407/2272

See application file for complete search history.

(56) **References Cited**

U.S. PATENT DOCUMENTS

D308,690 S * 6/1990 Andersson D15/139
D311,193 S * 10/1990 Andersson D15/139

D657,648 S * 4/2012 Wachsmann D8/71
D690,747 S * 10/2013 Wachsmann D15/140
D693,390 S * 11/2013 Wachsmann D15/140
D693,391 S * 11/2013 Roetsch D15/140
D896,289 S * 9/2020 Wachsmann D15/140

* cited by examiner

Primary Examiner — Michael C Stout

Assistant Examiner — Fritzgerald L Butac

(74) *Attorney, Agent, or Firm* — Wood Herron & Evans
LLP

(57) **CLAIM**

The ornamental design for a milling bit holder, as shown and described.

DESCRIPTION

FIG. 1 is a left front perspective view of my new milling bit holder design;

FIG. 2 is a right rear perspective view thereof;

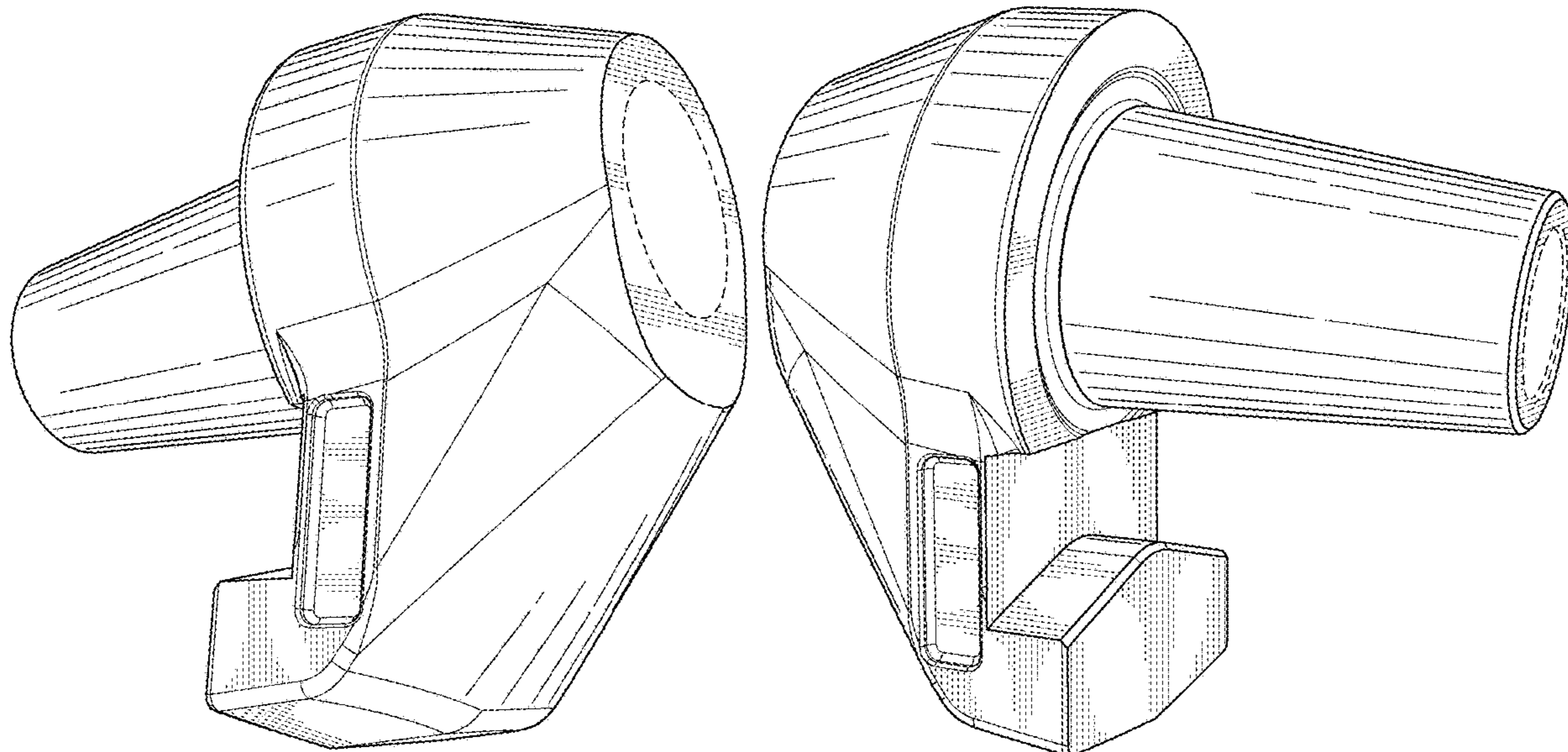
FIG. 3 is a right side elevation view thereof, the left side elevation view being a mirror image;

FIG. 4 is a bottom plan view thereof; and,

FIG. 5 is a front view thereof.

The broken dash lines in the figures depict portions of the milling bit holder that form no part of the claimed design.

1 Claim, 5 Drawing Sheets



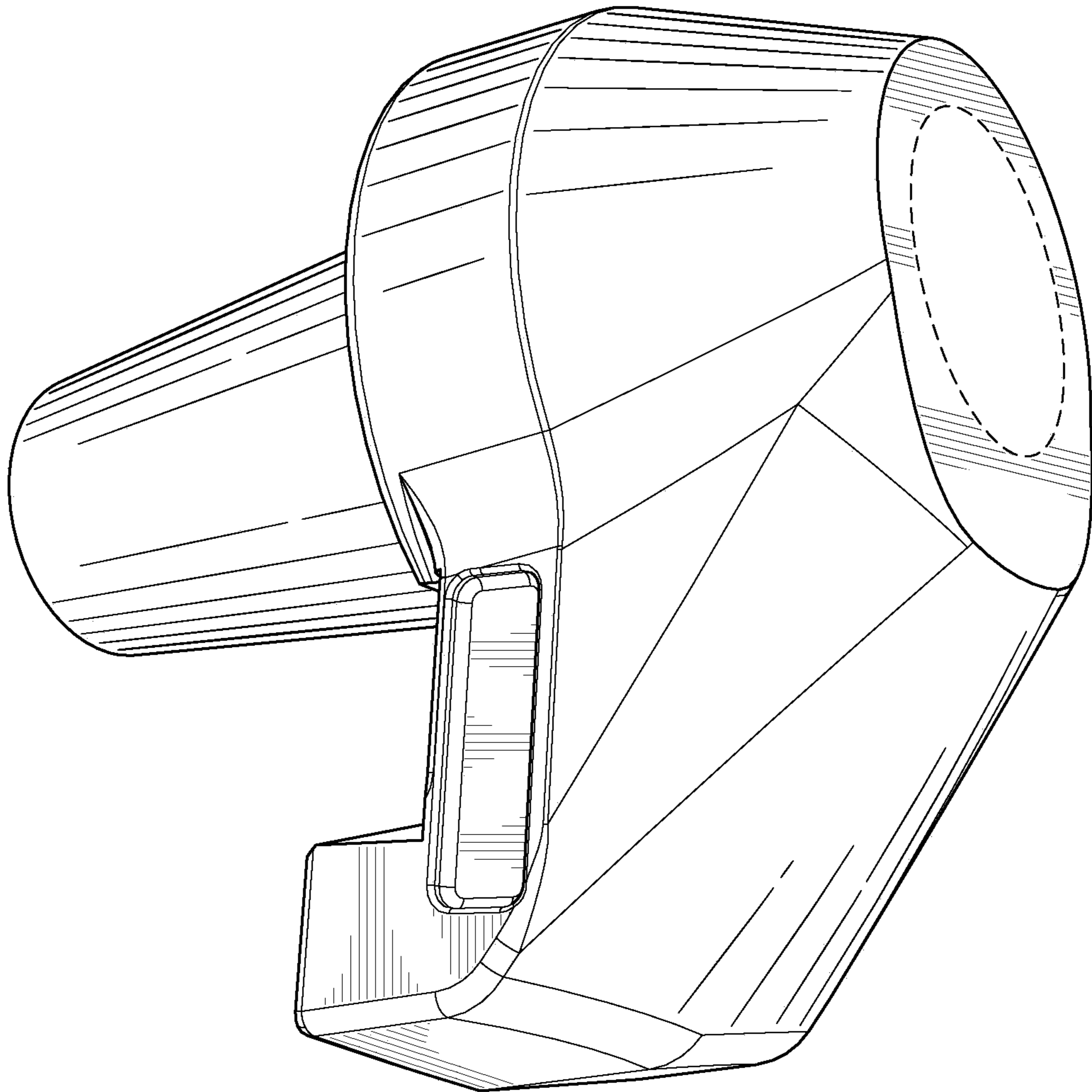


FIG. 1

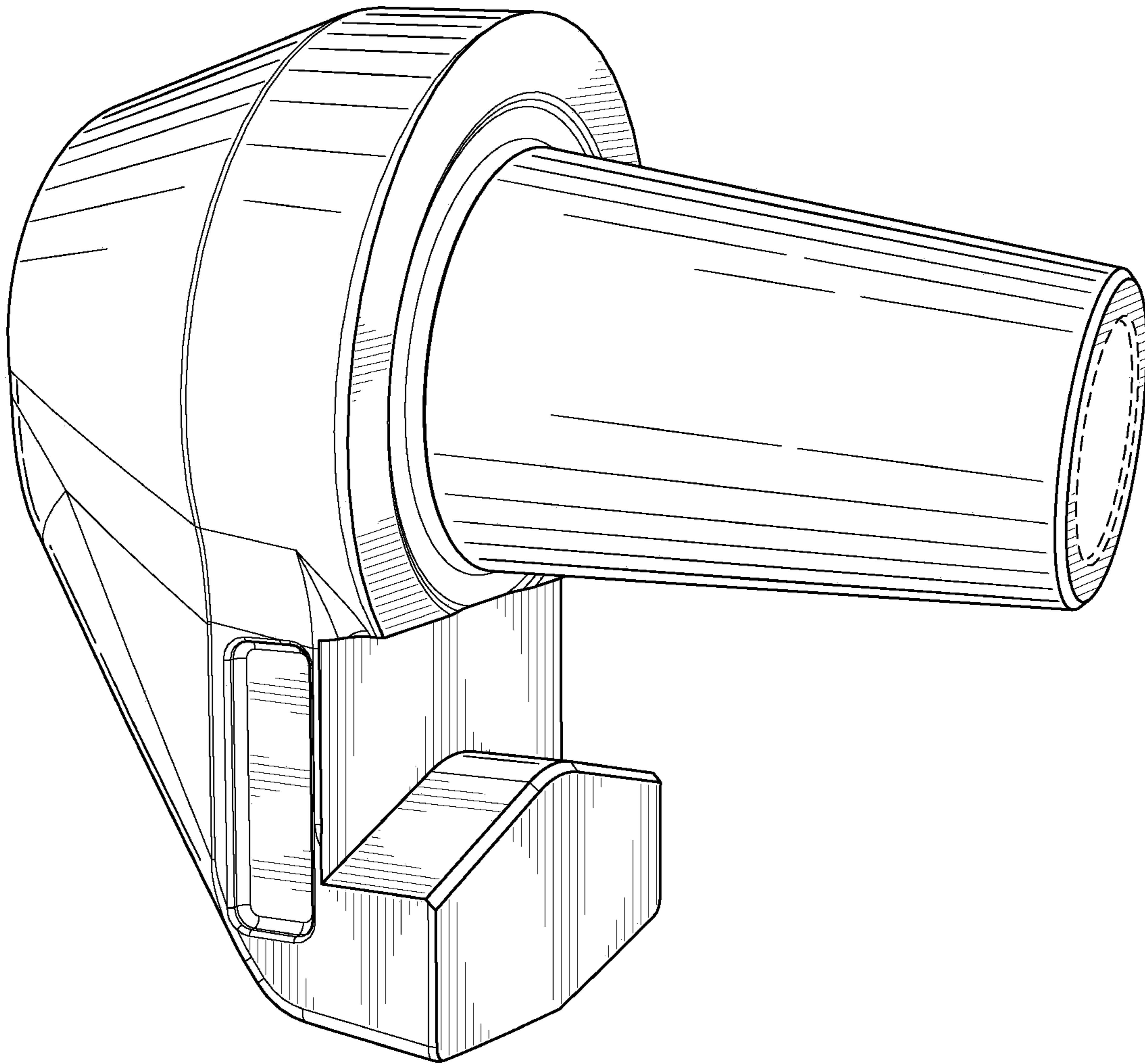


FIG. 2

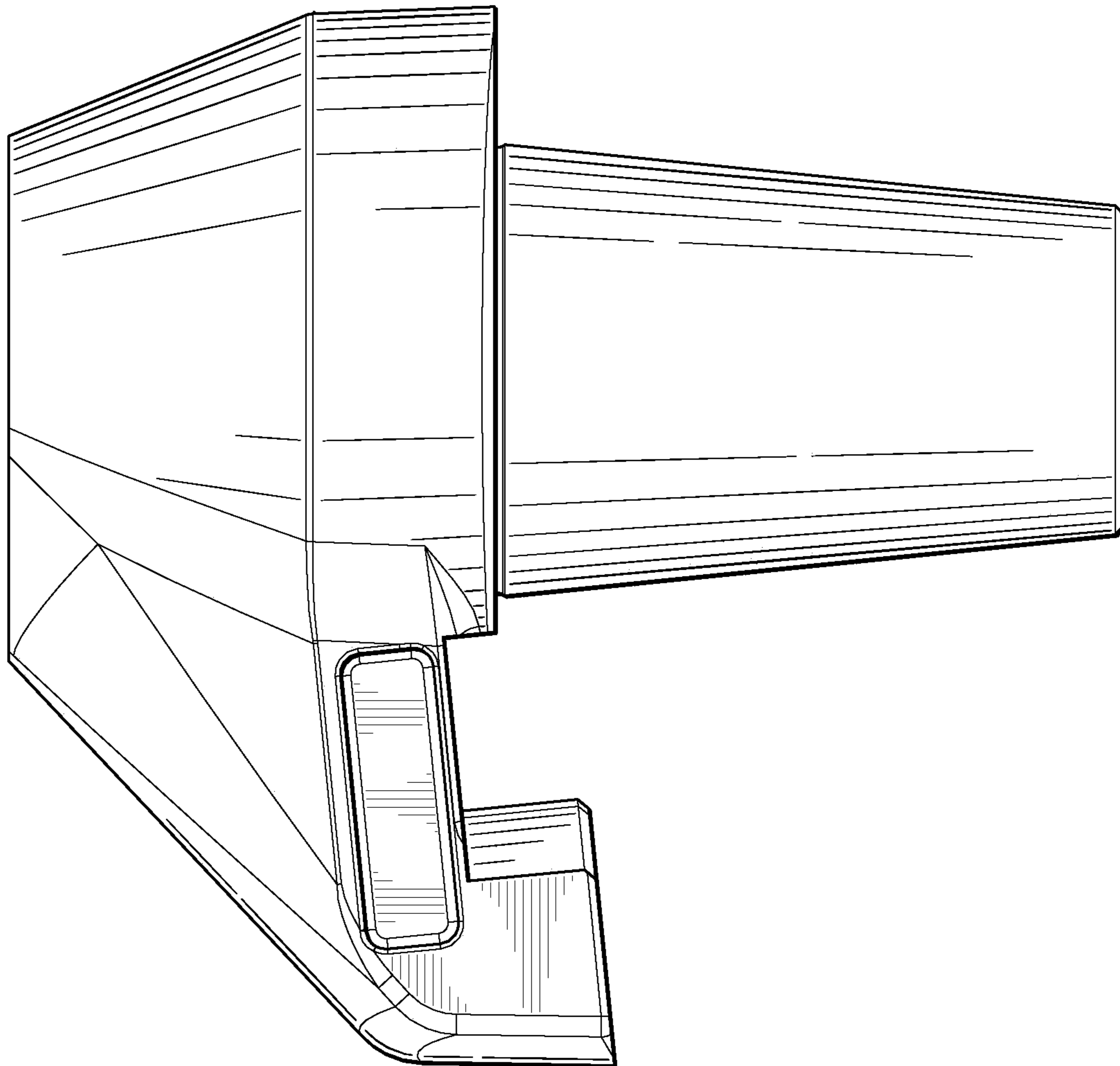


FIG. 3

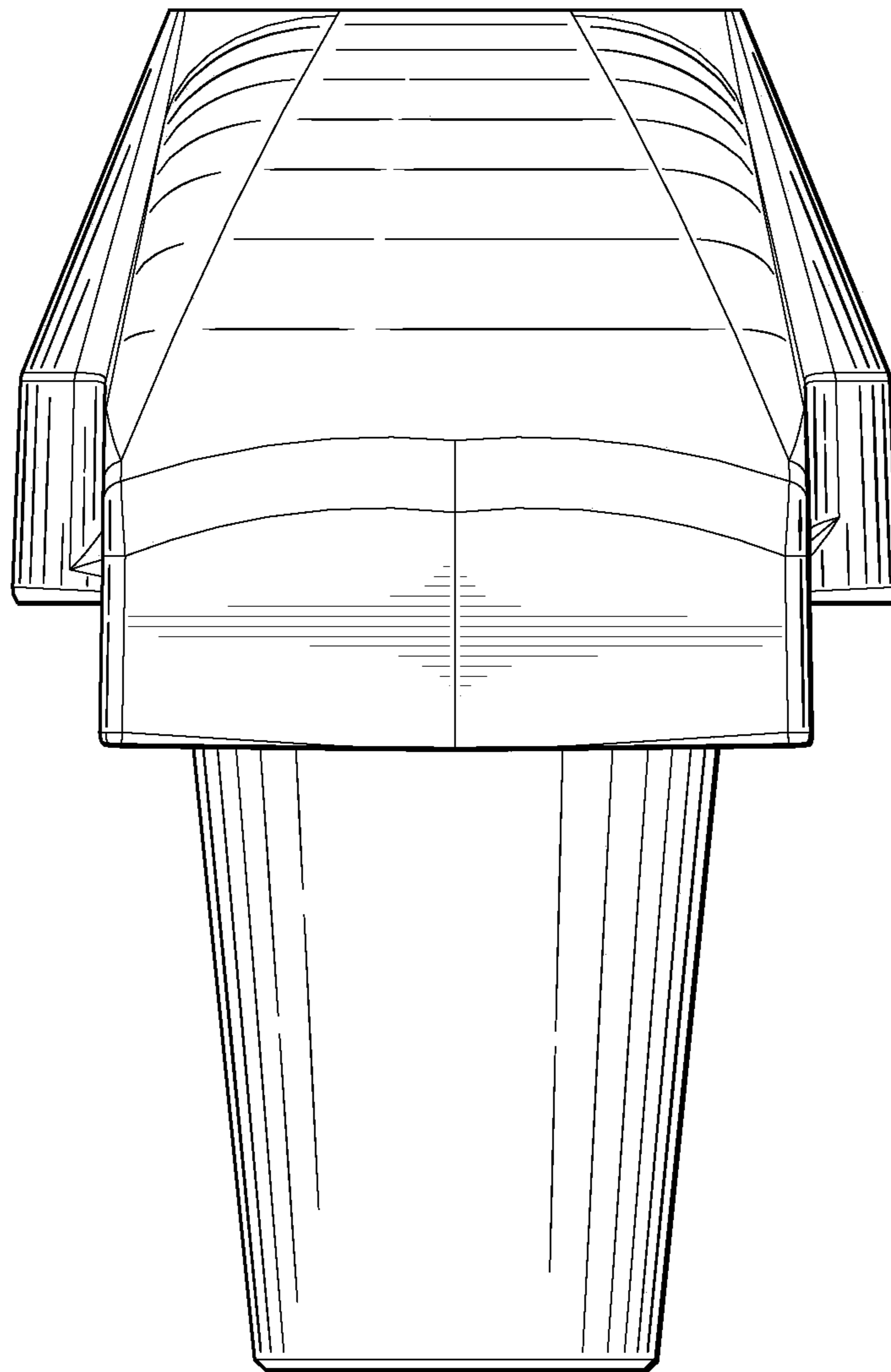


FIG. 4

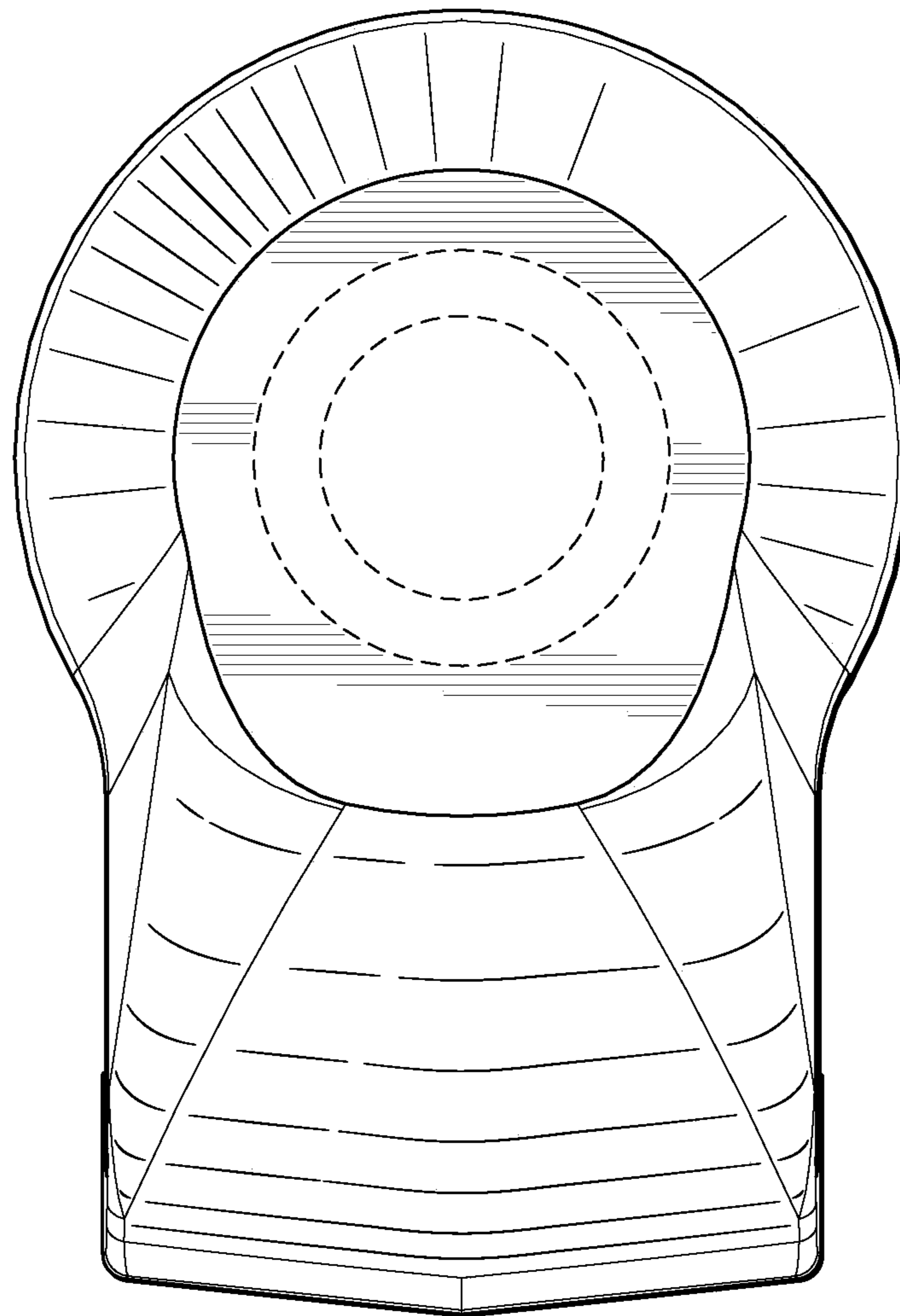


FIG. 5