



US00D970565S

(12) **United States Design Patent**
Yang

(10) **Patent No.:** **US D970,565 S**

(45) **Date of Patent:** **** Nov. 22, 2022**

- (54) **FRIDGE SLIDE**
- (71) Applicant: **Guangzhou Juzhiyi Information Technology Co., Ltd., Guangzhou (CN)**
- (72) Inventor: **Taiping Yang, Shenzhen (CN)**
- (**) Term: **15 Years**
- (21) Appl. No.: **29/812,513**
- (22) Filed: **Oct. 21, 2021**
- (51) **LOC (13) Cl.** **15-07**
- (52) **U.S. Cl.**
USPC **D15/89**
- (58) **Field of Classification Search**
USPC D15/79-91
CPC .. F25D 11/00; F25D 17/065; F25D 2325/022;
F25D 23/069; F25D 25/025; F25D 11/02;
F25D 17/062; F25D 21/12; F25D 21/125;
F25D 21/14; F25D 2317/061; F25D
2317/067; F25D 2323/021; F25D
2323/024; F25D 23/028; F25D 23/04;
F25D 23/066; F25D 23/085; F25D
23/087; F25D 23/126; F25D 2400/02;
F25D 2400/06; F25D 2400/361; F25D
2400/40; F25D 25/005; F25D 25/02;
F25D 2600/02; F25D 2700/02; F25D
2700/12; F25D 2700/121; F25D 2700/14;
F25D 29/00
See application file for complete search history.

- 8,297,450 B2 * 10/2012 Zavidniak H05K 7/183
211/13.1
- D681,076 S * 4/2013 Sata D15/91
- D708,875 S * 7/2014 McNamara D6/705
- D758,517 S 6/2016 Gonzalez
- D890,820 S * 7/2020 Lambright D15/89
- D921,717 S * 6/2021 Zhou D15/89
- 2003/0155319 A1 * 8/2003 Wishart A47F 5/01
211/187
- 2004/0007550 A1 * 1/2004 Leeman A47F 5/101
211/187
- 2009/0178983 A1 * 7/2009 Green H05K 7/186
211/13.1

* cited by examiner

Primary Examiner — Khawaja Anwar

(57) **CLAIM**

The ornamental design for a fridge slide, as shown and described.

DESCRIPTION

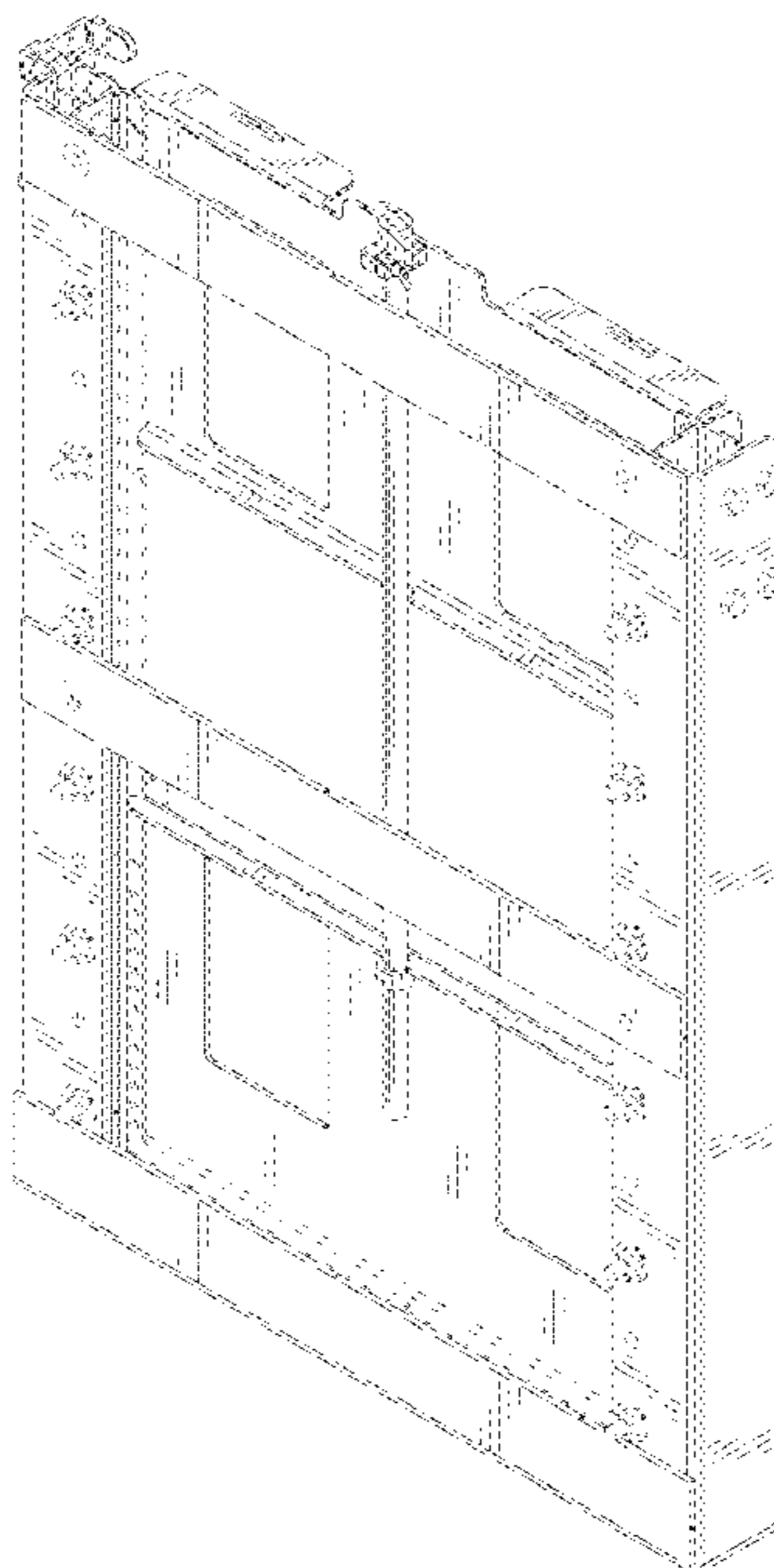
FIG. 1 is a front and top perspective view of a fridge slide, showing my new design;
 FIG. 2 is a front elevation view thereof;
 FIG. 3 is a rear elevation view thereof;
 FIG. 4 is a left side elevation view thereof;
 FIG. 5 is a right side elevation view thereof;
 FIG. 6 is a top plan view thereof; and,
 FIG. 7 is a bottom plan view thereof.
 The broken lines in the figures illustrate portions of the fridge slide that form no part of the claimed design.

1 Claim, 7 Drawing Sheets

(56) **References Cited**

U.S. PATENT DOCUMENTS

- 2,077,348 A * 4/1937 Gaston F25B 39/024
D15/89
- D584,596 S * 1/2009 Doverspike D8/354



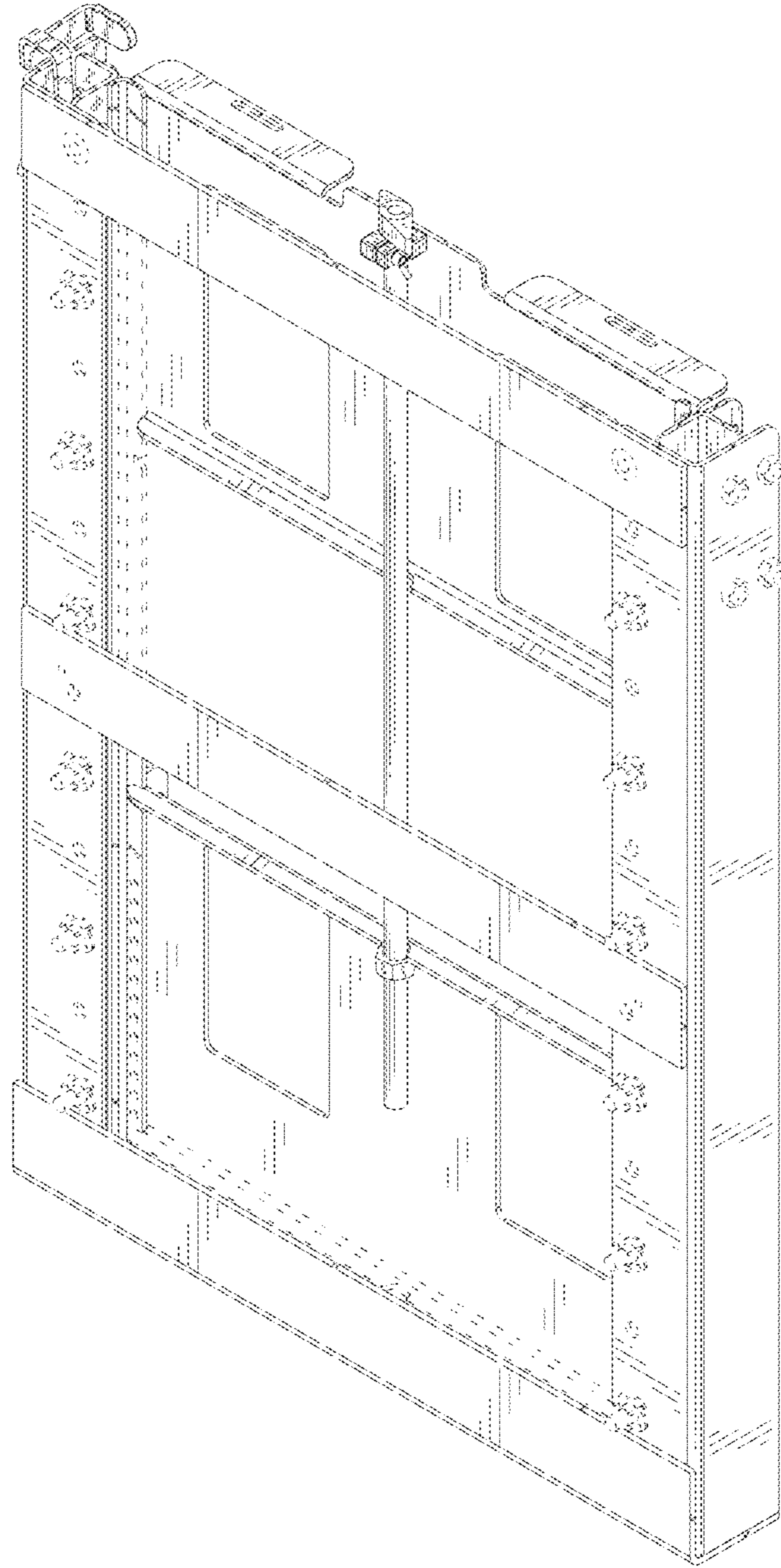


FIG.1

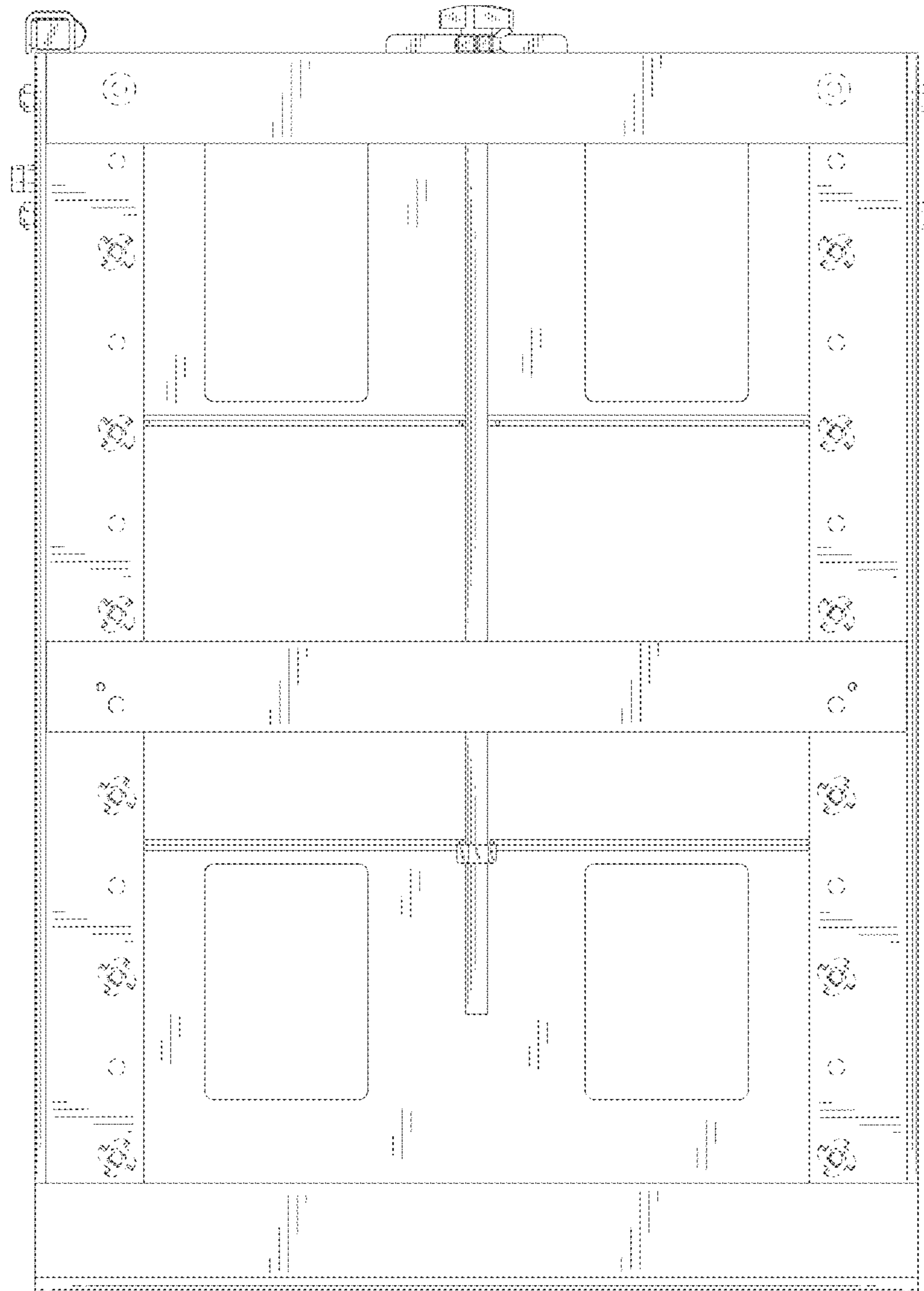


FIG.2

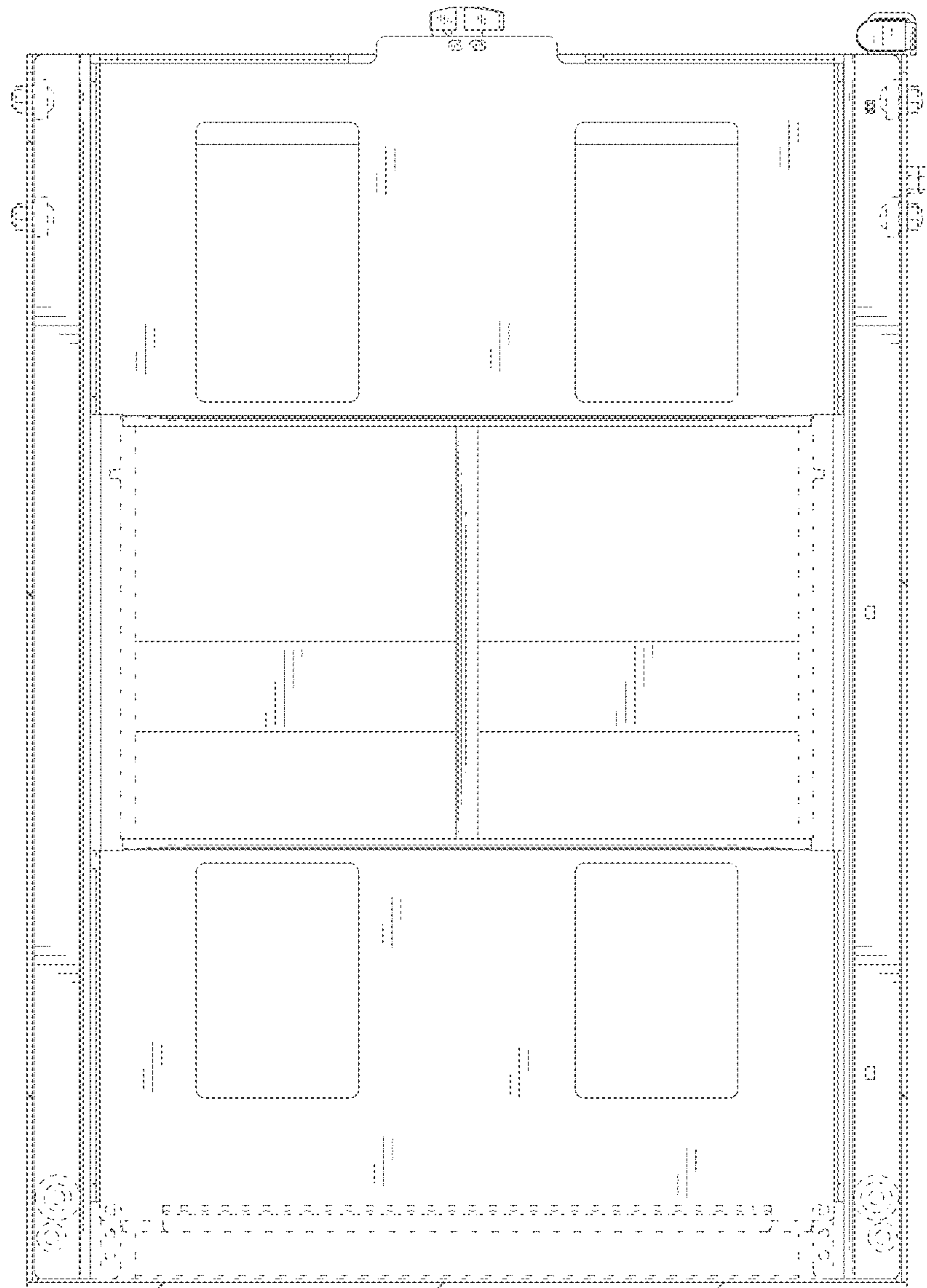


FIG.3

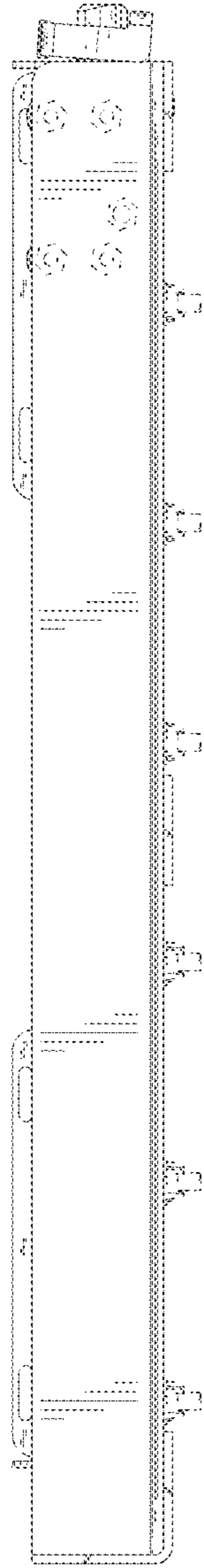


FIG.4

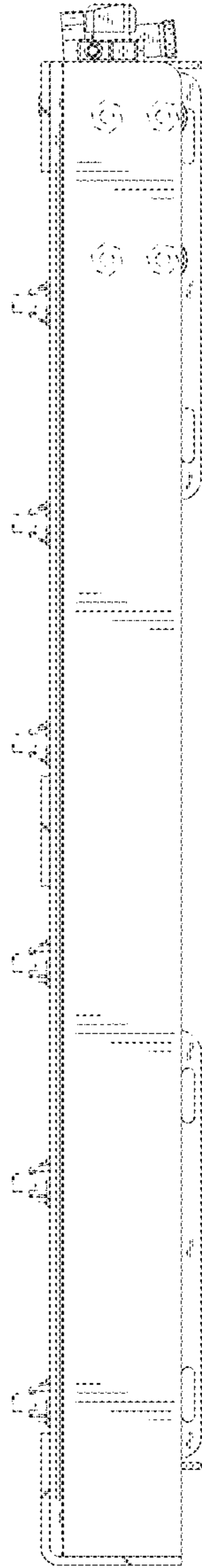


FIG.5

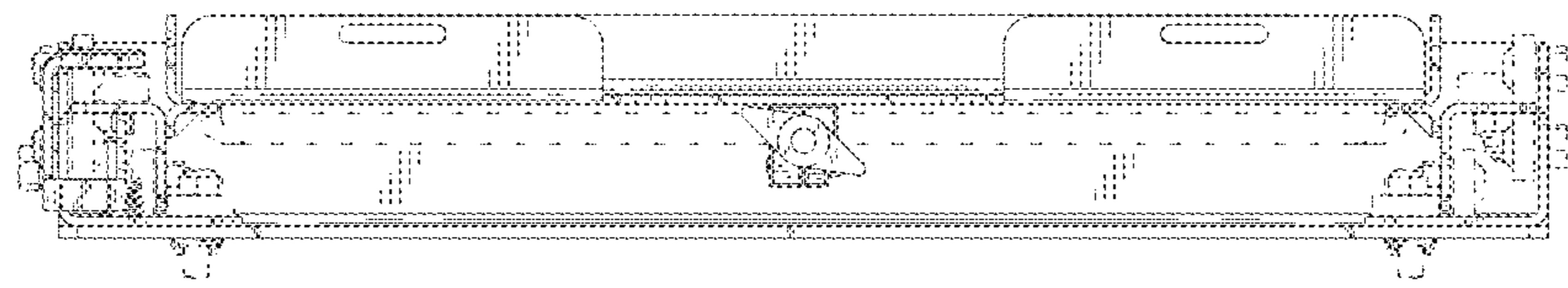


FIG.6

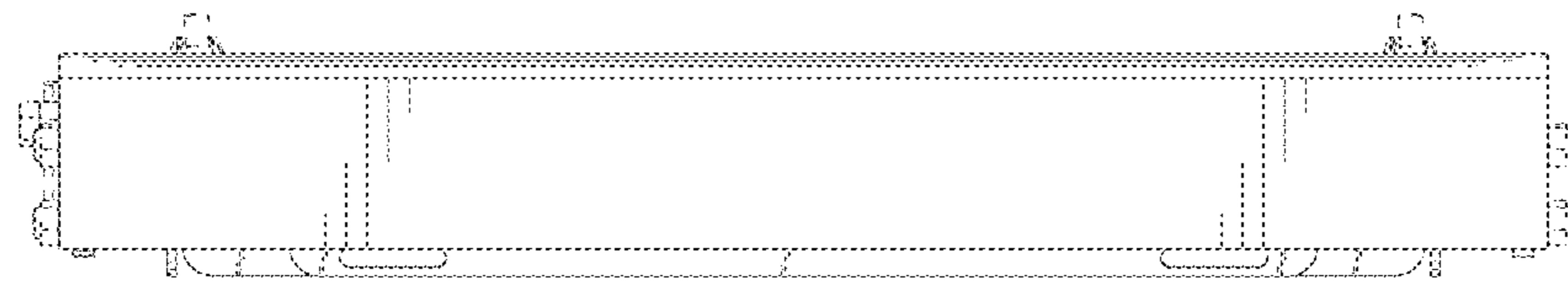


FIG.7